

E-LINE TLS

CABLE TRAY SYSTEMS



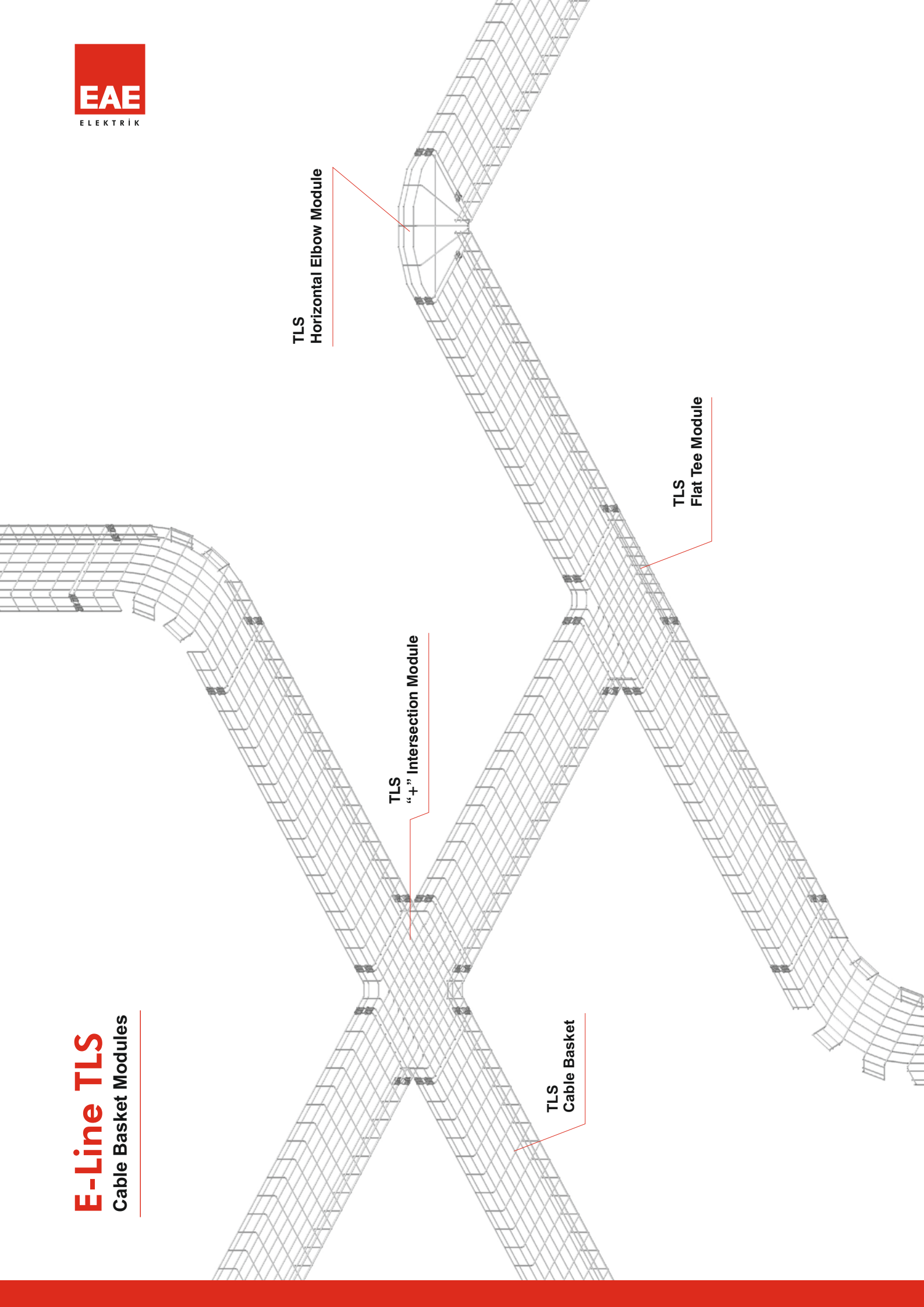
Mesh Wire Cable Tray



TLS

E-Line TLS

Cable Basket Modules



TLS
Horizontal Elbow Module

TLS
Flat Tee Module

TLS
"+" Intersection Module

TLS
Cable Basket

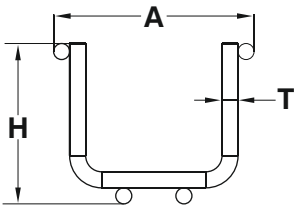
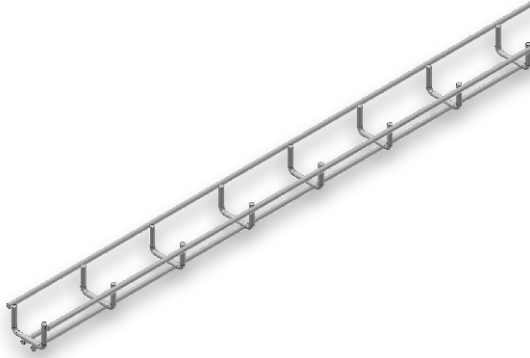
CONTENTS

2-5	Wire Mesh Trays
6-7	Wire Mesh Joint Fitting
8	Application Examples
9	TLS Single Rod Z-Holder
10	TLS Snap-On U-Profile
11	TLS Snap-on Omega-Profile
12	TLS Omega-Duct Carrier
13	TLS V Duct Carrier
14	TLS Fixing Unit
15	TLS Landing Plate
16	TLS Mounting Plate
17	TLS Union Outlet Element
18	TLS Separator
19	TLS Slotted Straight Strip
20	TLS Slotted L-Strip
21	TLS Fixture Holder
22	Wire Mesh Side Dropout Module Type 1
23	Wire Mesh Side Dropout Module Type 2
24	Wire Mesh Bottom Dropout Module
25	Cover, Cover Clamps
26	Wire Mesh Level Adaptation Module
27	Wire Mesh Tabbed Earthing Connector
28-29	Earthing Components
30	Grounding Washer
31-37	Application Examples
38-39	Horizontal Elbow Application Examples
40	Design Form

CABLE TRAY MODULES

►► **WIRE MESH TRAYS** Electrogalvanized (TS 149)

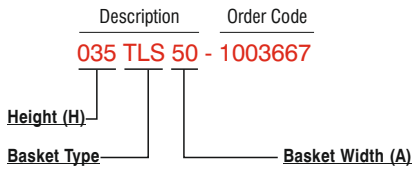
Description	H (mm)	A (mm)	T (Ø mm)	Weight (kg./m.)	Order Code
035 TLS 50	35	50	4	0,50	3187808
050 TLS 50	50	50	4	0,81	3184155



H=035, single row wire.
H=050 2 row wire.

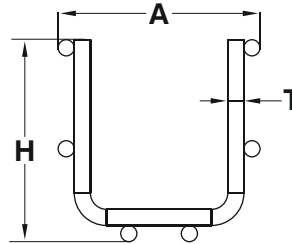
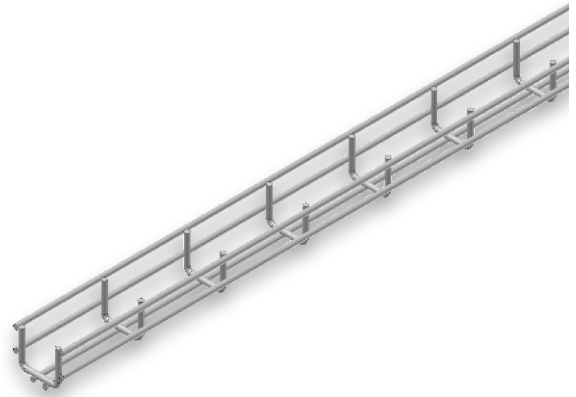
Sample Order:

Height (H): 35 mm,
Width (A): 50 mm,
Wire Thickness (T): 4 mm,
Finish Type (S): Electrogalvanized,
Module Type: Cable Basket.



►► **WIRE MESH TRAYS** Stainless Steel (AISI 304)

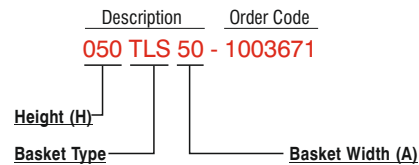
Description	H (mm)	A (mm)	T (Ø mm)	Weight (kg./m.)	Order Code
035 TLS 50	35	50	4	0,50	3194417
050 TLS 50	50	50	4	0,81	3194430



H=035, single row wire.
H=050 2 row wire.

Sample Order:

Height (H): 50 mm,
Width (A): 50 mm,
Wire Thickness (T): 4 mm,
Finish Type (S): Stainless Steel,
Module Type: Cable Basket.

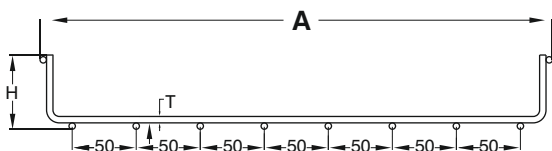


►► WIRE MESH TRAYS Electrogalvanized (TS 149)

Description	H (mm)	A (mm)	T (Ø mm)	Weight (kg./m.)	Order Code
035 TLS 100	35	100	4	0,62	3178496
035 TLS 150	35	150	4	0,77	3194605
035 TLS 200	35	200	4	0,92	3178497
035 TLS 250	35	250	4	1,08	3194606
035 TLS 300	35	300	4	1,23	3178498
035 TLS 400	35	400	4	1,54	3178499
035 TLS 500	35	500	4	1,85	3178500
035 TLS 600	35	600	4	2,16	3178501
<hr/>					
035 TLS 100	35	100	5	0,95	3178521
035 TLS 150	35	150	5	1,19	3194599
035 TLS 200	35	200	5	1,43	3178522
035 TLS 250	35	250	5	1,66	3194600
035 TLS 300	35	300	5	1,90	3178523
035 TLS 400	35	400	5	2,38	3178524
035 TLS 500	35	500	5	2,86	3178525
035 TLS 600	35	600	5	3,34	3178526

►► WIRE MESH TRAYS Stainless Steel (AISI 304)

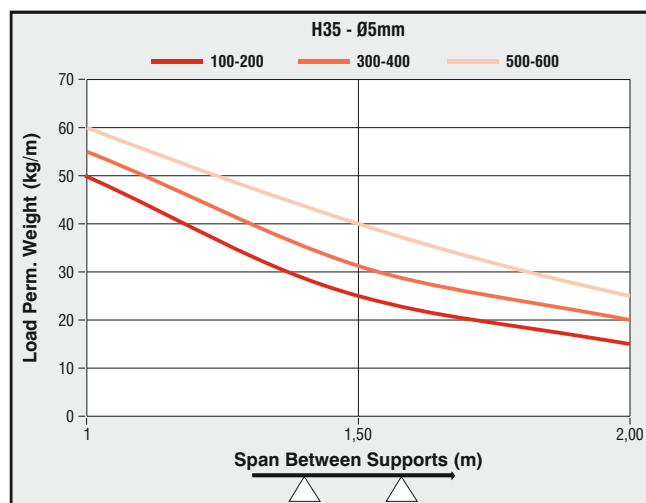
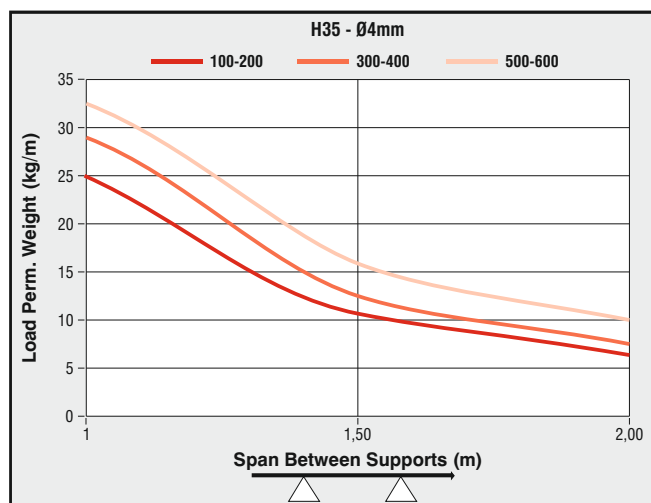
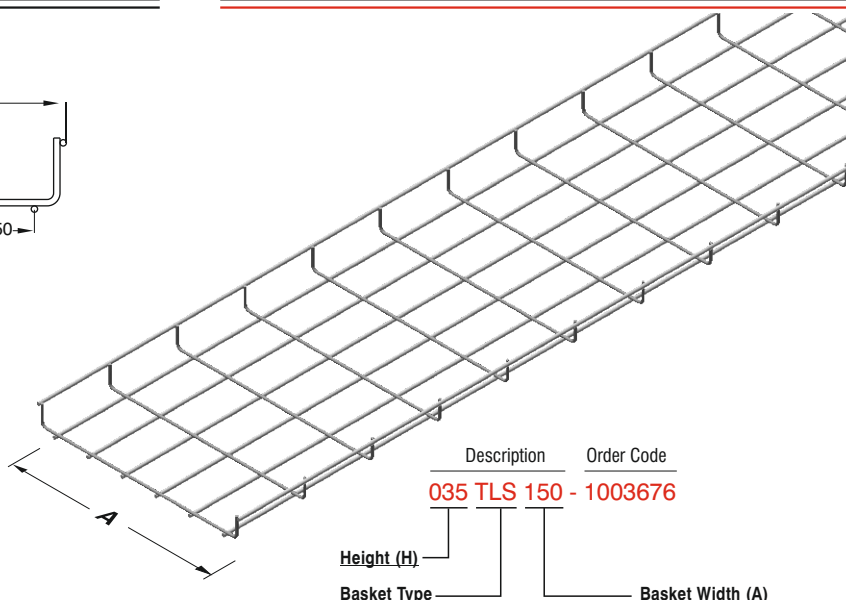
Description	H (mm)	A (mm)	T (Ø mm)	Weight (kg./m.)	Order Code
035 TLS 100	35	100	4	0,62	3194418
035 TLS 150	35	150	4	0,77	3194616
035 TLS 200	35	200	4	0,92	3194420
035 TLS 250	35	250	4	1,08	3194619
035 TLS 300	35	300	4	1,23	3194422
035 TLS 400	35	400	4	1,54	3194424
035 TLS 500	35	500	4	1,85	3194426
035 TLS 600	35	600	4	2,16	3194428
<hr/>					
035 TLS 100	35	100	5	0,95	3194419
035 TLS 150	35	150	5	1,19	3194618
035 TLS 200	35	200	5	1,43	3194421
035 TLS 250	35	250	5	1,66	3194620
035 TLS 300	35	300	5	1,90	3194423
035 TLS 400	35	400	5	2,38	3194425
035 TLS 500	35	500	5	2,86	3194427
035 TLS 600	35	600	5	3,34	3194429



H=035, single row wire.
H=055, two rows wire.
H=100, three rows wire.

Sample Order:

Height (H): 35 mm,
Width (A): 150 mm,
Cable Thickness (T): 4 mm,
Finish Type (S): Electrogalvanized,
Module Type: Cable Basket.



■ Load Perm. Weight may change +/- according to the sheet tolerance and hardness.
Please contact to your customer representative for detailed information.

■ Please state the order code when ordering.
■ Standard Length 3000 mm.

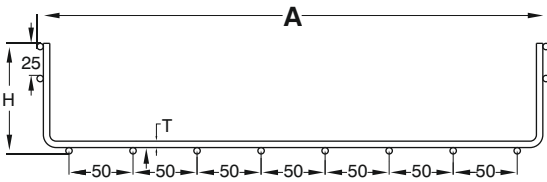
■ When special wire thickness are being used please contact our company.
■ Material weights may vary by ± 10%

►► **WIRE MESH TRAYS** Electrogalvanized (TS 149)

Description	H (mm)	A (mm)	T (Ø mm)	Weight (kg./m.)	Order Code
055 TLS 100	55	100	4	0,85	3178502
055 TLS 150	55	150	4	1,014	3188207
055 TLS 200	55	200	4	1,15	3178503
055 TLS 250	55	250	4	1,32	3194607
055 TLS 300	55	300	4	1,46	3178504
055 TLS 400	55	400	4	1,76	3178505
055 TLS 500	55	500	4	2,15	3178506
055 TLS 600	55	600	4	2,39	3178507
055 TLS 100	55	100	5	1,30	3178527
055 TLS 150	55	150	5	1,56	3194601
055 TLS 200	55	200	5	1,78	3178528
055 TLS 250	55	250	5	2,04	3194602
055 TLS 300	55	300	5	2,24	3178529
055 TLS 400	55	400	5	2,72	3178530
055 TLS 500	55	500	5	3,18	3178531
055 TLS 600	55	600	5	3,70	3178532

►► **WIRE MESH TRAYS** Stainless Steel (AISI 304)

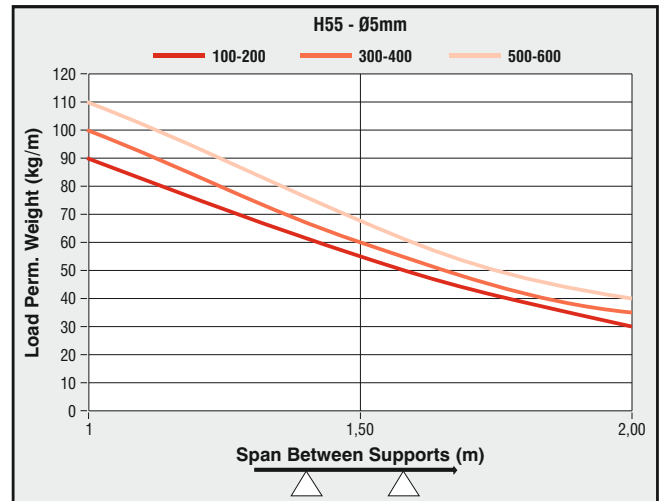
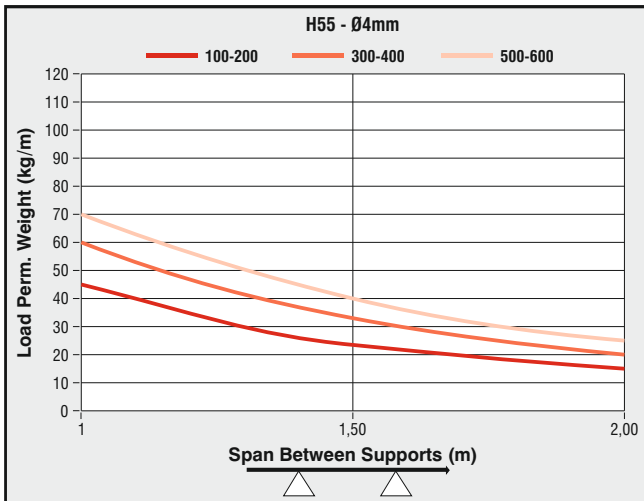
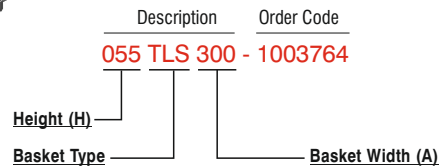
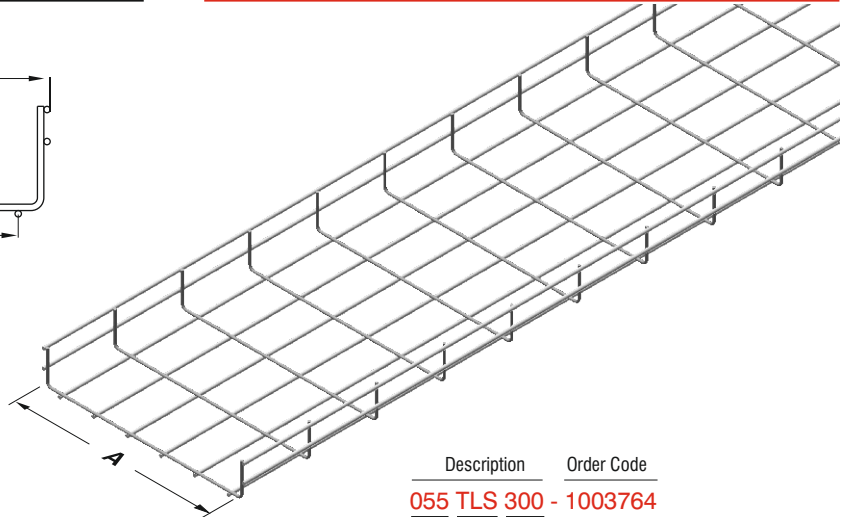
Description	H (mm)	A (mm)	T (Ø mm)	Weight (kg./m.)	Order Code
055 TLS 100	55	100	4	0,85	3194431
055 TLS 150	55	150	4	1,01	3194433
055 TLS 200	55	200	4	1,15	3194434
055 TLS 250	55	250	4	1,32	3194622
055 TLS 300	55	300	4	1,46	3194436
055 TLS 400	55	400	4	1,76	3194438
055 TLS 500	55	500	4	2,15	3194440
055 TLS 600	55	600	4	2,39	3194442
055 TLS 100	55	100	5	1,30	3194432
055 TLS 150	55	150	5	1,56	3194621
055 TLS 200	55	200	5	1,78	3194435
055 TLS 250	55	250	5	2,04	3194623
055 TLS 300	55	300	5	2,24	3194437
055 TLS 400	55	400	5	2,72	3194439
055 TLS 500	55	500	5	3,18	3194441
055 TLS 600	55	600	5	3,70	3194443



H=035, single row wire.
H=055, two rows wire.
H=100, three rows wire.

Sample Order:

Height (H): 55 mm,
Width (A): 300 mm,
Wire Thickness (T): 5 mm,
Finish Type (S): Electrogalvanized,
Module Type: Cable Basket.



■ Load Perm. Weight may change +/- according to the sheet tolerance and hardness.
Please contact to your customer representative for detailed information.

■ Please state the order code when ordering.
■ Standard Length 3000 mm.

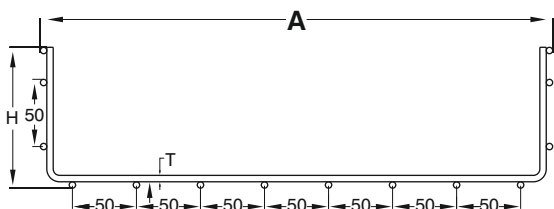
■ When special wire thickness are being used please contact our company.
■ Material weights may vary by ± 10%

►► **WIRE MESH TRAYS** Electrogalvanized (TS 149)

Description	H (mm)	A (mm)	T (Ø mm)	Weight (kg./m.)	Order Code
100 TLS 200	100	200	4	1,45	3178509
100 TLS 250	100	250	4	1,60	3194609
100 TLS 300	100	300	4	1,77	3178510
100 TLS 400	100	400	4	2,07	3178511
100 TLS 500	100	500	4	2,37	3178512
100 TLS 600	100	600	4	2,70	3178513
100 TLS 200	100	200	5	2,16	3178534
100 TLS 250	100	250	5	2,44	3194604
100 TLS 300	100	300	5	2,73	3178535
100 TLS 400	100	400	5	3,20	3178536
100 TLS 500	100	500	5	3,65	3178537
100 TLS 600	100	600	5	4,17	3178538

►► **WIRE MESH TRAYS** Stainless Steel (AISI 304)

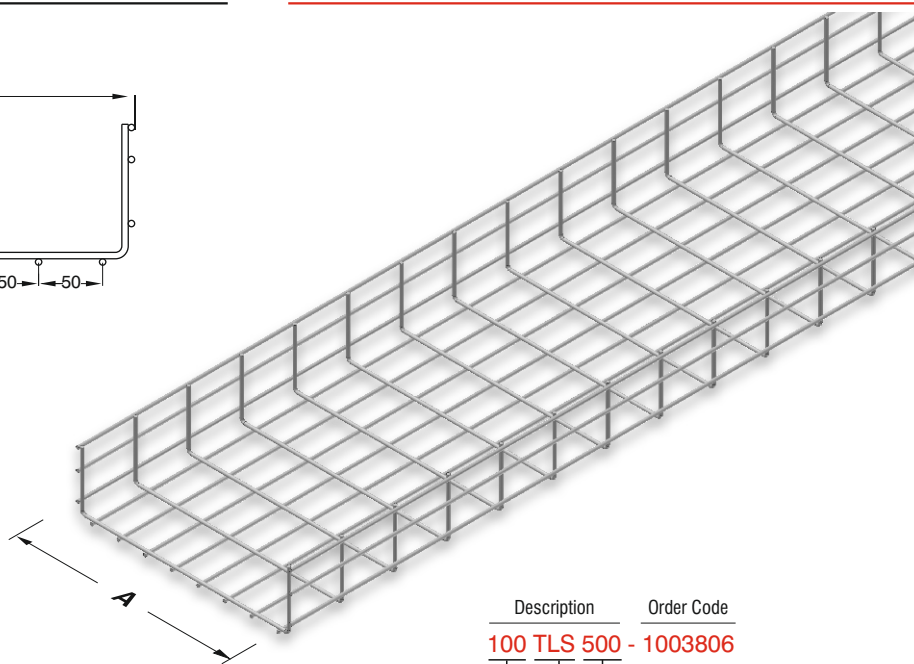
Description	H (mm)	A (mm)	T (Ø mm)	Weight (kg./m.)	Order Code
100 TLS 200	100	200	4	1,45	3194446
100 TLS 250	100	250	4	1,60	3194626
100 TLS 300	100	300	4	1,77	3194448
100 TLS 400	100	400	4	2,07	3194450
100 TLS 500	100	500	4	2,37	3194452
100 TLS 600	100	600	4	2,70	3194454
100 TLS 200	100	200	5	2,16	3194447
100 TLS 250	100	250	5	2,44	3194627
100 TLS 300	100	300	5	2,73	3194449
100 TLS 400	100	400	5	3,20	3194451
100 TLS 500	100	500	5	3,65	3194453
100 TLS 600	100	600	5	4,17	3194455



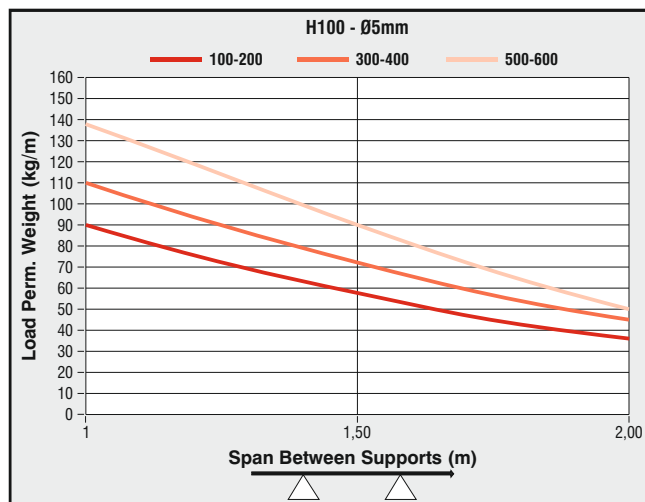
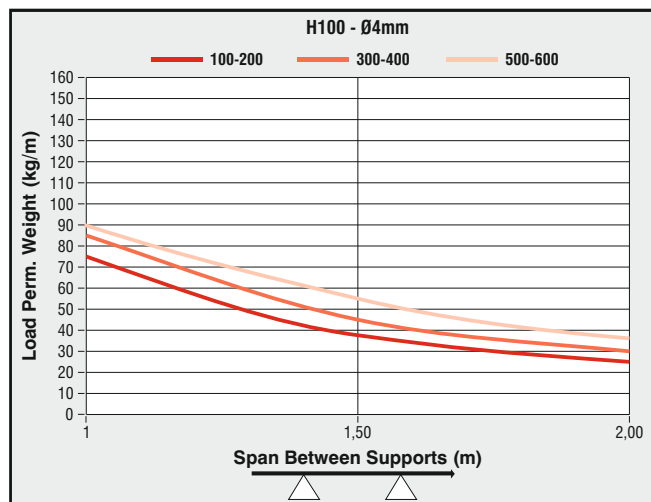
H=035, single row wire.
H=055, two rows wire.
H=100, three rows wire.

Sample Order:

Height (H): 100 mm,
Width (A): 500 mm,
Wire Thickness (T): 5 mm,
Finish Type (S): Electrogalvanized,
Module Type: Cable Basket.



	Description	Order Code
	100 TLS 500 -	1003806
Height (H)		
Basket Type		Basket Width (A)



■ Load Perm. Weight may change +/- according to the sheet tolerance and hardness.

Please contact to your customer representative for detailed information.

■ Please state the order code when ordering.

■ Standard Length 3000 mm.

■ When special wire thickness are being used please contact our company.

■ Material weights may vary by ± 10%



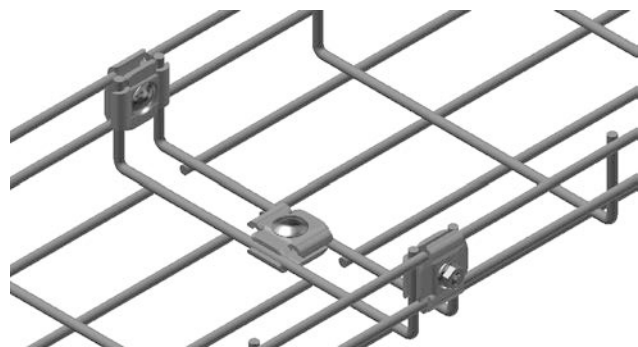
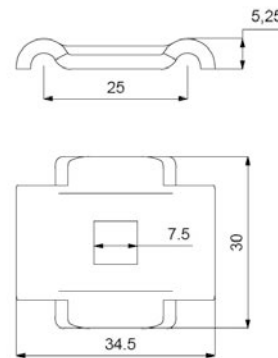
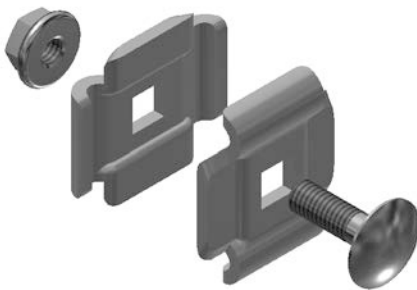
►► **WIRE MESH JOINT FITTING** Pre-galvanized (TS 10143)

Description	T (mm)	Weight (kg./set.)	Order Code
TLS Wire Mesh Bolt (EG: Electrogalvanized)	2,5 mm	0,040	3000624
M6x20 Dished Head Bolt Set (EG: Electrogalvanized)	-	0,020	1002984
TLS Wire Mesh Bolt (AISI 304)	2,5 mm	0,040	3000625
M6x20 Dished Head Bolt Set (EG: AISI 304)	-	0,020	1000923

Wire Mesh Joint Fitting Assembly;

- 1 Piece Wire Mesh Joint Fitting
- 1 Piece M6x20 Round Head Joint Fitting
- 1 Piece M6 Nut is Needed.

►► **APPLICATION EXAMPLES**



►► **DURING INSTALLATION;
NUMBER OF ADDITIONAL ELEMENTS TO BE USED:**

Tray Width	H35			H55			H100		
	Side ↕	Bottom ↔	Total	Side ↕	Bottom ↔	Total	Side ↕	Bottom ↔	Total
100	2	0	2	2	0	2	-	-	-
150	2	0	2	2	0	2	-	-	-
200	2	1	3	2	1	3	4	1	5
250	2	1	3	2	1	3	4	1	5
300	2	2	4	2	2	4	4	2	6
400	2	2	4	2	2	4	4	2	6
500	2	3	5	2	3	5	4	3	7
600	2	3	5	2	3	5	4	3	7

■ Please state the order code when ordering.
■ Standard Length 3000 mm.

■ When special wire thickness are being used please contact our company.
■ Material weights may vary by ± 10%

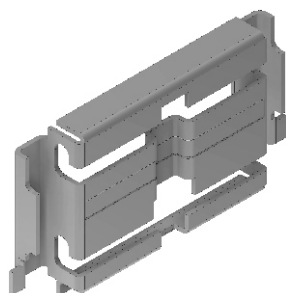


►► **WIRE MESH JOINT FITTING** Electroalvanized (TS 149)

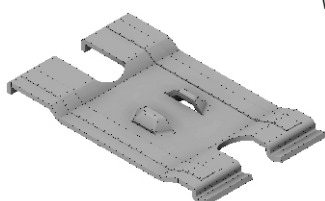
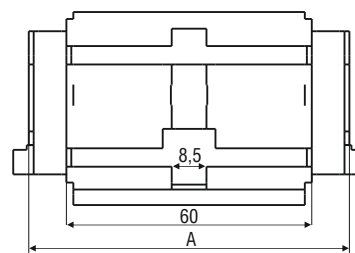
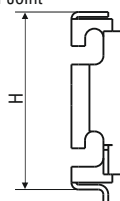
Description	H (mm)	A (mm)	T (mm)	Weight (kg./pc.)	Order Code
WIRE CONDUIT JOINT (Boltless)	45	78	1,2	0,047	3108825
WIRE CONDUIT JOINT (Boltless Bottom)	35	59	1,2	0,020	3125835

- Wire Mesh Boltless Lateral Joint is used in \varnothing 4 mm / H: 055 - H: 100 / A : 100-250-300-400-500-600 Wire Cable Mesh.
- Wire Mesh Boltless Lateral Joint is not used in \varnothing 5 mm Wire Cable Mesh
- 1 piece of Wire Mesh Boltless Bottom Joint is used for A:200-250 where 2 pieces are used for A: 300-400 and 3 pieces are used for A: 500-600.

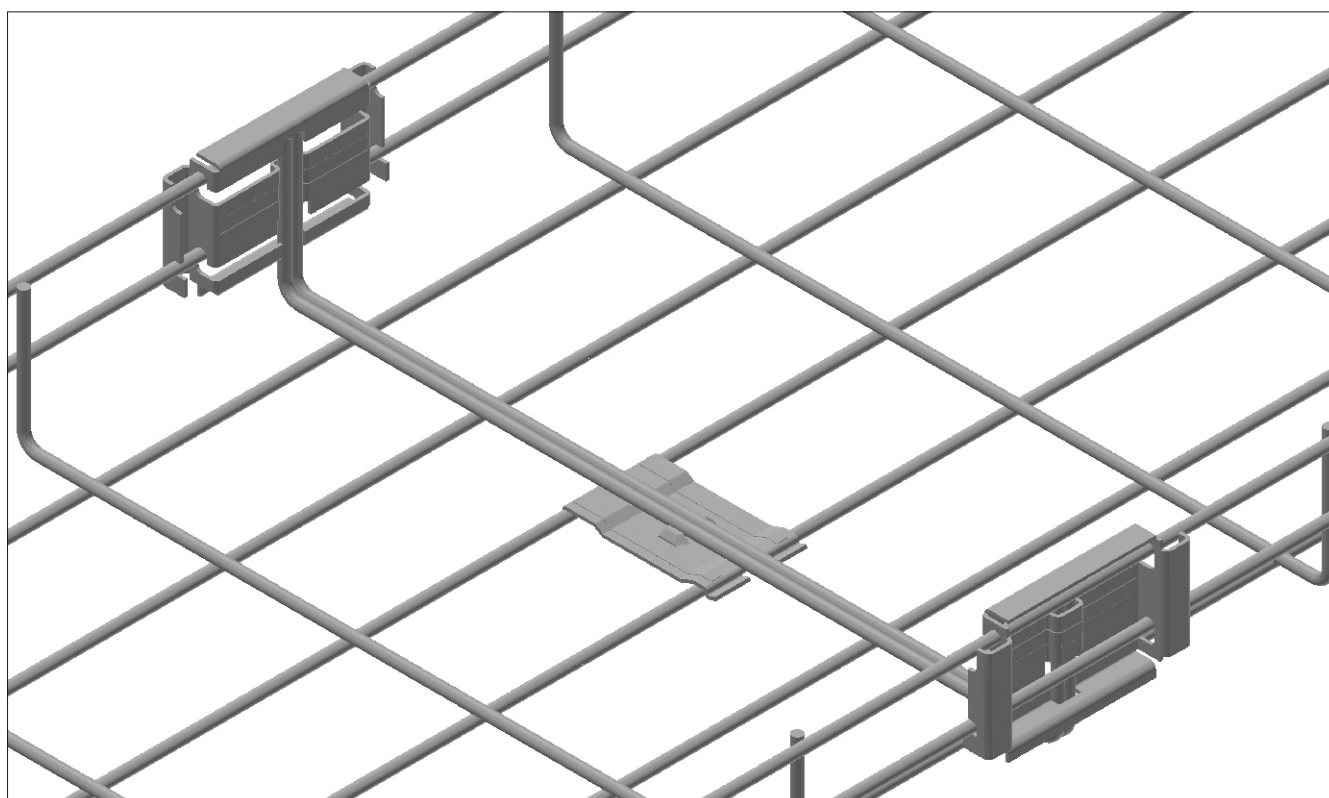
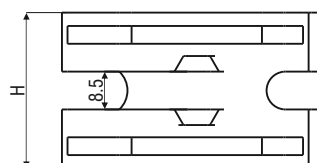
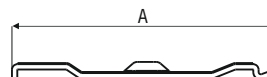
PATENT NO 2017 02893



Wire Mesh Boltless Lateral Joint



Wire Mesh Boltless Bottom Joint

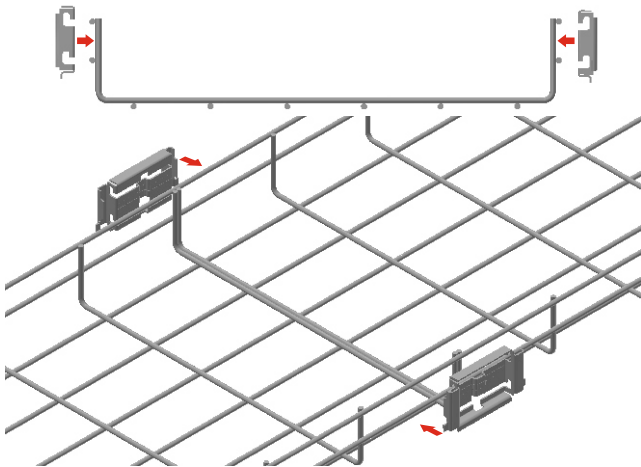


■ Please state the order code when ordering.

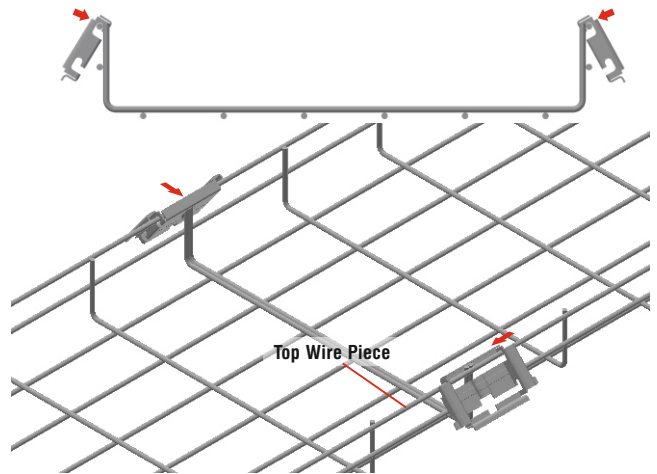
■ When special wire thickness are being used please contact our company.

■ Material weights may vary by \pm 10%

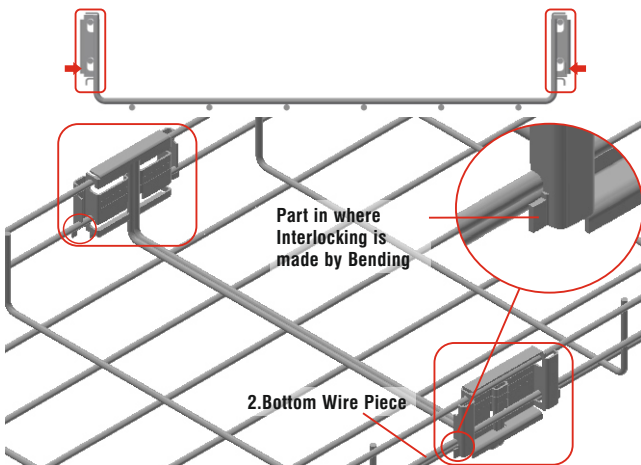
►► **APPLICATION EXAMPLES**



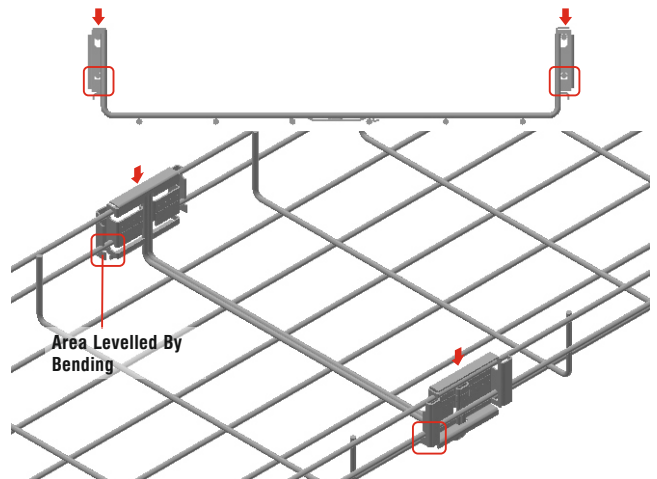
■ Wire mesh bottless lateral joint elements are aligned on junction wires of two wire mesh as shown on the figure.



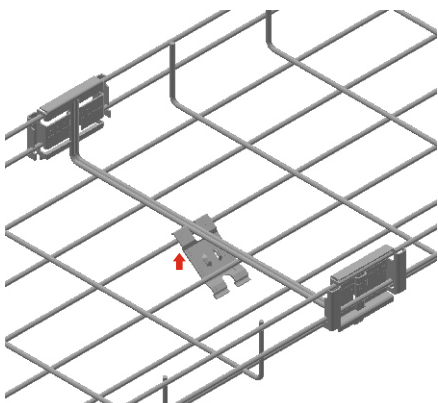
■ Upper wire slot of the lateral joint element is placed as angular on upper wire of wire mesh.



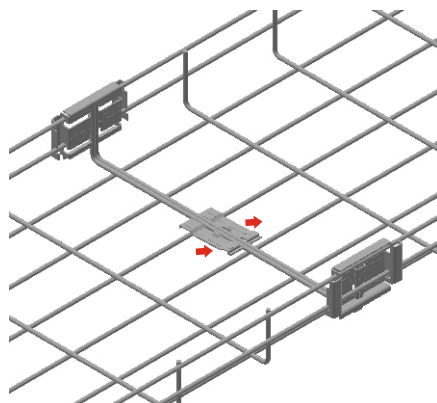
■ Bottom wire mesh of the lateral joint element is placed on the bottom wire of the wire mesh.



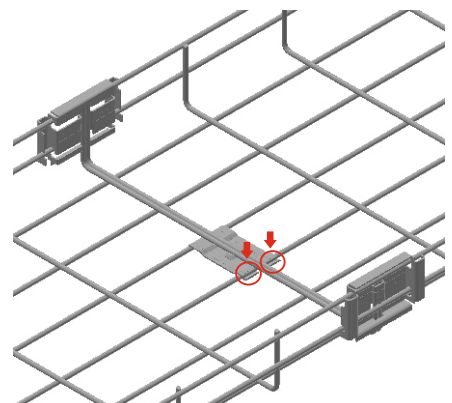
■ Wire mesh tray lateral joint elements are clamped by hand towards top to down direction. The assembly step shall be completed by bending 2 latches corresponding to the lower part of the bottom wire with the help of a pincer with an angle of 90°.



■ Bottom Joint element is fixed from the lower side of the conduit as shown in the figure.



■ Bottom Joint element is slid upon levelling after passing through the bottom of the conduit.



■ Interlocking process is performed by pressing tips of bottom joint element by hand.

■ Please state the order code when ordering.

■ Material weights may vary by $\pm 10\%$

■ When special wire thickness are being used please contact our company.



►► **TLS SINGLE ROD Z-HOLDER** Pre-galvanized (TS 10143)

Description	T (mm)	Weight (kg./set.)	Order Code
TLS SINGLE ROD Z-HOLDER (1 Set)	2,0 mm	0,120	3179554

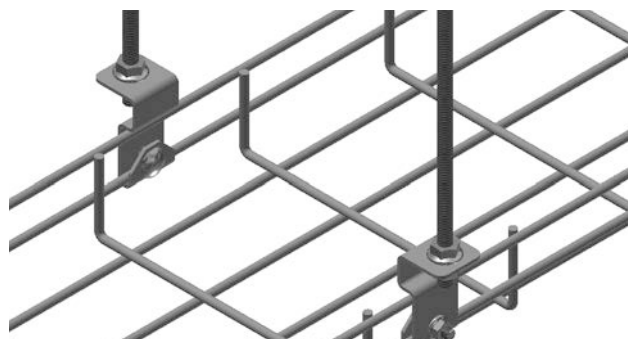
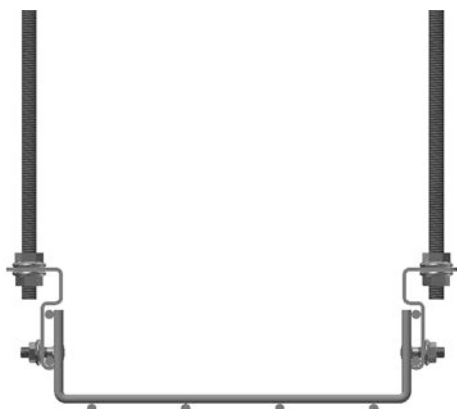
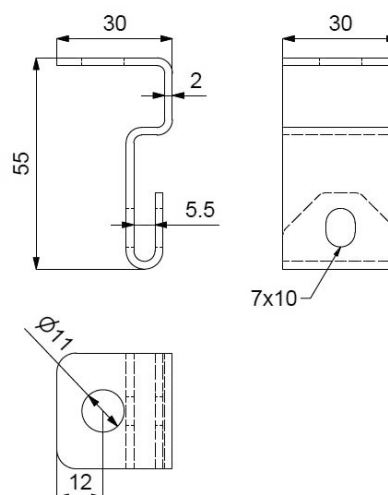
TLS SINGLE ROD Z-HOLDER™ Contents Of 1 Set Of ;

- 2 Piece Z-HOLDER
- 2 Piece M6x20 Dished Head Bolt
- 2 Piece M6 Nuts Should Be Used.

Necessary Accessories For Assembly ;

- 1 Piece Rod (M8 / M10 x L)
- 2 Piece Nut (M8 / M10)

►► **APPLICATION EXAMPLES**



■ Please state the order code when ordering.
 ■ Standard Length 3000 mm.

■ When special wire thickness are being used please contact our company.
 ■ Material weights may vary by ± 10%



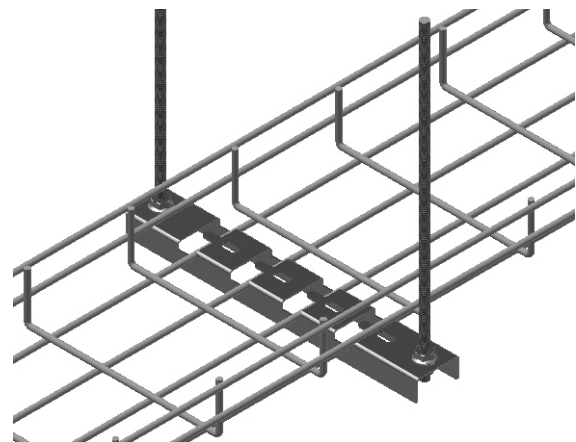
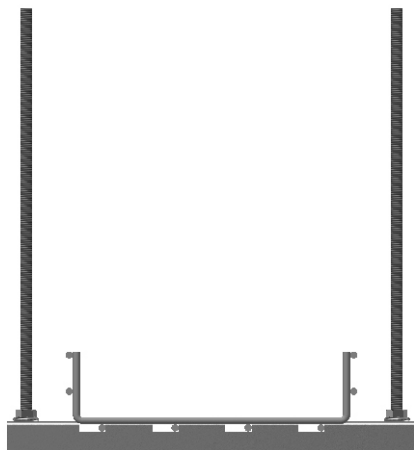
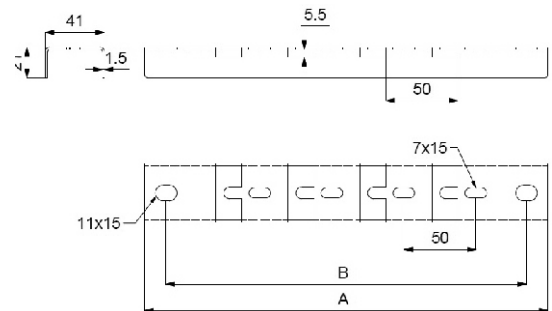
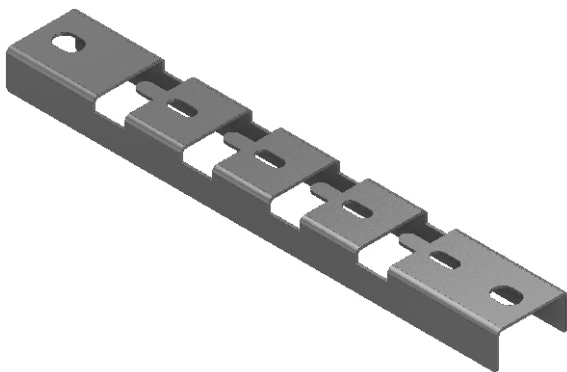
►► **TLS SNAP-ON U-PROFILE 41x21x1,5** Pre-galvanized (TS 10143)

Description	A (mm)	B (mm)	T (mm)	Weight (kg./Set.)	Order Code
TLS SNAP-ON U-PROFILE 050	130	100	1,5 mm	0,097	3179559
TLS SNAP-ON U-PROFILE 100	180	140	1,5 mm	0,142	3179560
TLS SNAP-ON U-PROFILE 150	230	190	1,5 mm	0,177	3179561
TLS SNAP-ON U-PROFILE 200	280	240	1,5 mm	0,213	3179562
TLS SNAP-ON U-PROFILE 250	330	290	1,5 mm	0,248	3179563
TLS SNAP-ON U-PROFILE 300	380	340	1,5 mm	0,283	3179564
TLS SNAP-ON U-PROFILE 400	480	440	1,5 mm	0,354	3179565
TLS SNAP-ON U-PROFILE 500	580	540	1,5 mm	0,420	3179566
TLS SNAP-ON U-PROFILE 600	680	640	1,5 mm	0,495	3179567

Wire Mesh Joint Fitting Assembly;

- 2 piece Rod (M8 / M10 x L)
- 4 piece Nut (M8 / M10)

►► **APPLICATION EXAMPLES**



■ Please state the order code when ordering.
 ■ Standard Length 3000 mm.

■ When special wire thickness are being used please contact our company.
 ■ Material weights may vary by ± 10%



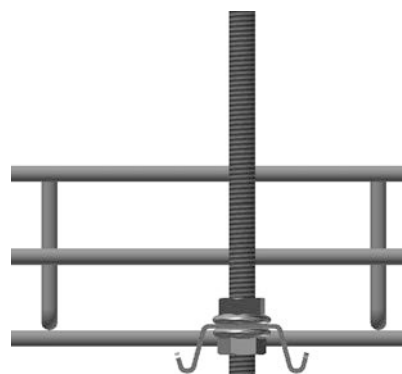
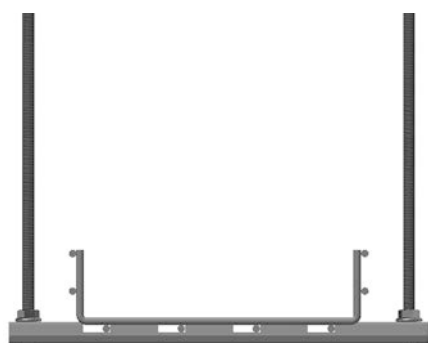
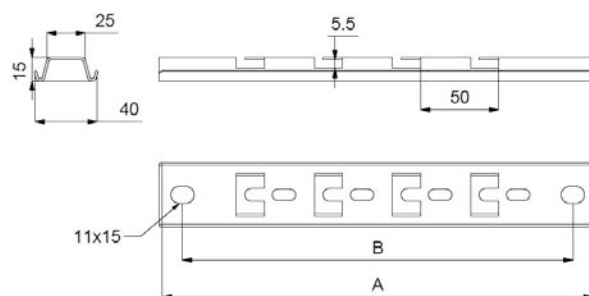
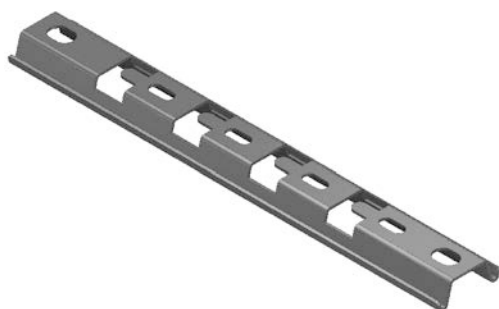
►► **TLS SNAP-ON OMEGA-PROFILE 41x15x1,5** Pre-galvanized (TS 10143)

Description	A (mm)	B (mm)	T (mm)	Weight (kg./set.)	Order Code
TLS SNAP-ON OMEGA-PROFILE 050	130	100	1,5 mm	0,085	3179569
TLS SNAP-ON OMEGA-PROFILE 100	180	140	1,5 mm	0,123	3179570
TLS SNAP-ON OMEGA-PROFILE 150	230	190	1,5 mm	0,155	3179571
TLS SNAP-ON OMEGA-PROFILE 200	280	240	1,5 mm	0,188	3179572
TLS SNAP-ON OMEGA-PROFILE 250	330	290	1,5 mm	0,220	3179573
TLS SNAP-ON OMEGA-PROFILE 300	380	340	1,5 mm	0,252	3179574
TLS SNAP-ON OMEGA-PROFILE 400	480	440	1,5 mm	0,317	3179575
TLS SNAP-ON OMEGA-PROFILE 500	580	540	1,5 mm	0,382	3179576
TLS SNAP-ON OMEGA-PROFILE 600	680	640	1,5 mm	0,446	3179577

Necessary Accessories For Assembly ;

- 2 Piece Rod (M8 / M10 x L)
- 4 Piece Nut (M8 / M10)

►► **APPLICATION EXAMPLES**



■ Please state the order code when ordering.
 ■ Standard Length 3000 mm.

■ When special wire thickness are being used please contact our company.
 ■ Material weights may vary by $\pm 10\%$



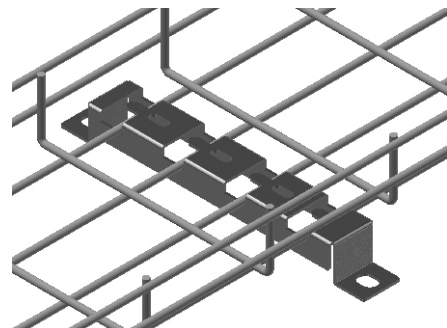
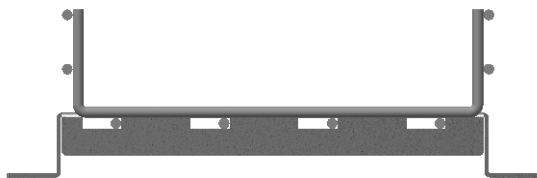
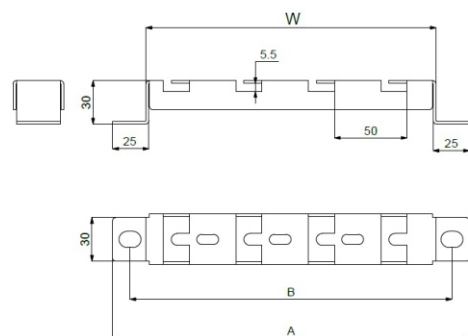
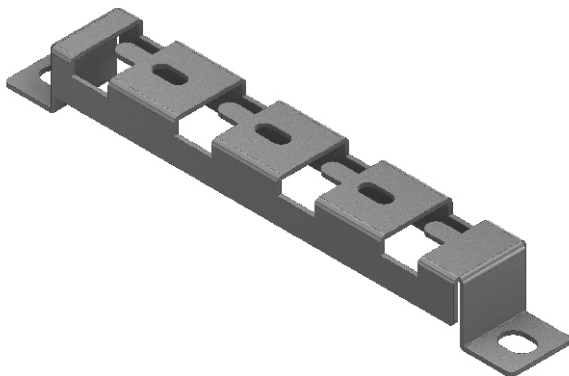
►► **TLS OMEGA-DUCT CARRIER** Pre-galvanized (TS 10143)

Description	A (mm)	B (mm)	W (mm)	T (mm)	Weight (kg./set.)	Order Code
TLS Tabbed OMEGA-Duct Carrier 050	95	70	50	2,0 mm	0,085	3179593
TLS Tabbed OMEGA-Duct Carrier 100	145	120	100	2,0 mm	0,125	3179594
TLS Tabbed OMEGA-Duct Carrier 150	195	170	150	2,0 mm	0,167	3179595
TLS Tabbed OMEGA-Duct Carrier 200	245	220	200	2,0 mm	0,209	3179596
TLS Tabbed OMEGA-Duct Carrier 250	295	270	250	2,0 mm	0,251	3179597
TLS Tabbed OMEGA-Duct Carrier 300	345	320	300	2,0 mm	0,293	3179598

Necessary accessories for assembly ;

- 2 pieces Dowel (M8 / M10)

►► **APPLICATION EXAMPLES**



■ Please state the order code when ordering.
 ■ Standard Length 3000 mm.

■ When special wire thickness are being used please contact our company.
 ■ Material weights may vary by $\pm 10\%$



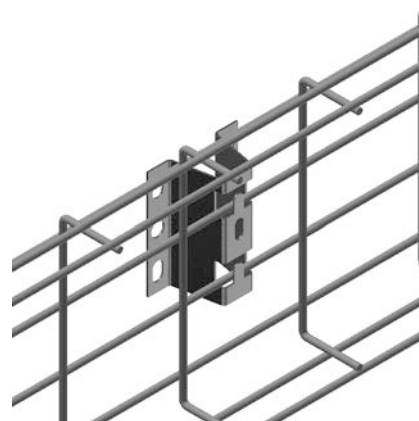
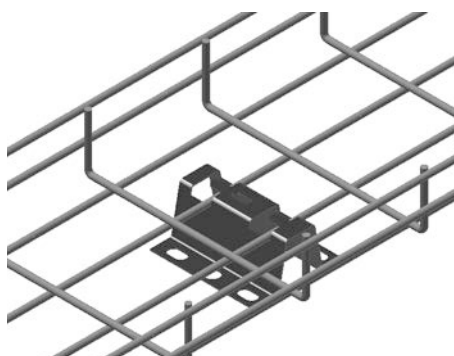
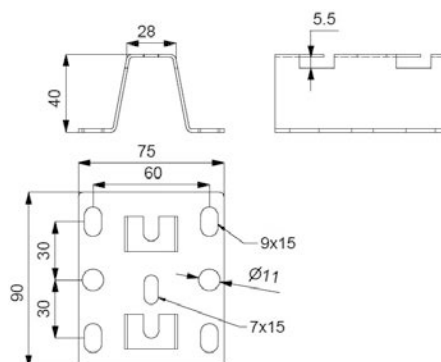
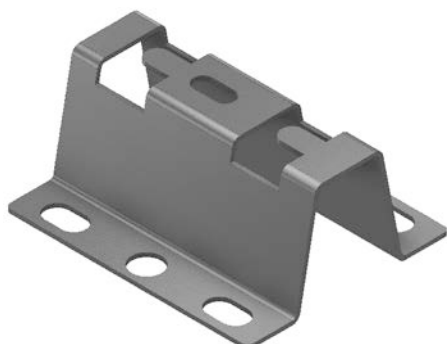
►► **TLS V DUCT CARRIER** Pre-galvanized (TS 10143)

Description	T (mm)	Weight (kg./set.)	Order Code
TLS V DUCT CARRIER	1,5 mm	0,123	3179599

Necessary Accessories For Assembly ;

- 2 pcs. Dowel (M8 / M10) (Ground Mounting)

►► **APPLICATION EXAMPLES**



- Please state the order code when ordering.
- Standard Length 3000 mm.

- When special wire thickness are being used please contact our company.
- Material weights may vary by $\pm 10\%$



►► **TLS FIXING UNIT** Pre-galvanized (TS 10143)

Description	T (mm)	Weight (kg./tk.)	Order Code
TLS FIXING UNIT	2,0 mm	0,037	3179600

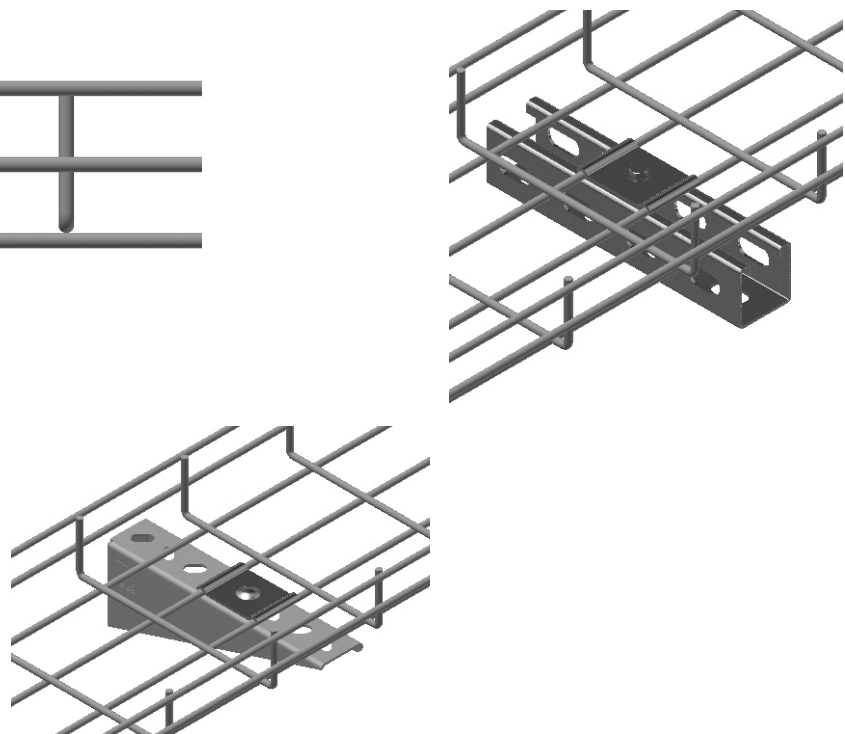
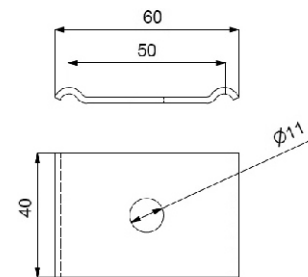
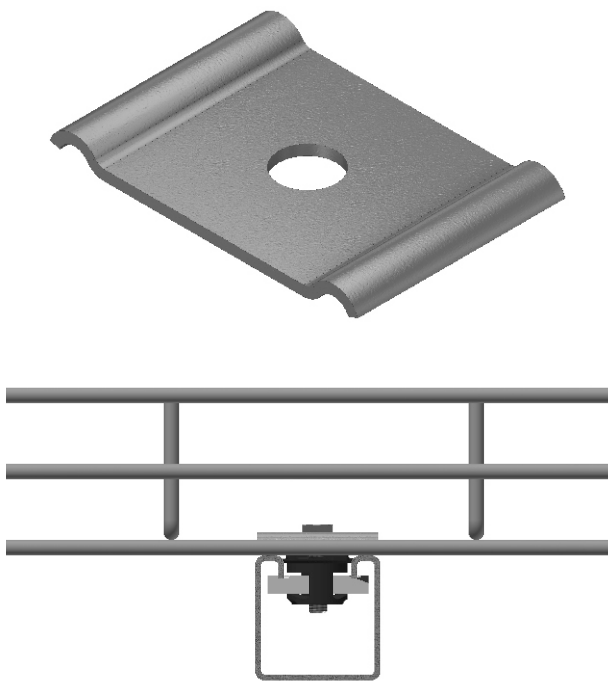
Accessories required to secure to BINRAK Profile;

- 1 AKB bolt pcs. (M8 x 20)
- 1 washer pcs. (M8)
- 1 Quick Traverse Nut pcs. (M8)

Accessories required to secure to the console;

- 1 pcs. M6 x 20 dished head bolt.
- 1 adet M6 flanged nut.

►► **APPLICATION EXAMPLES**



■ Please state the order code when ordering.
 ■ Standard Length 3000 mm.

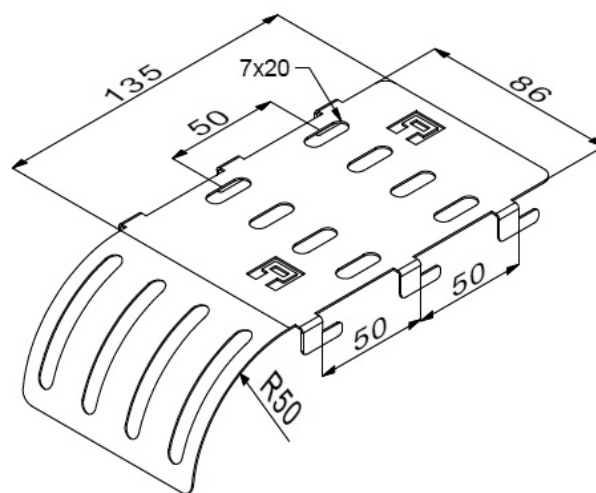
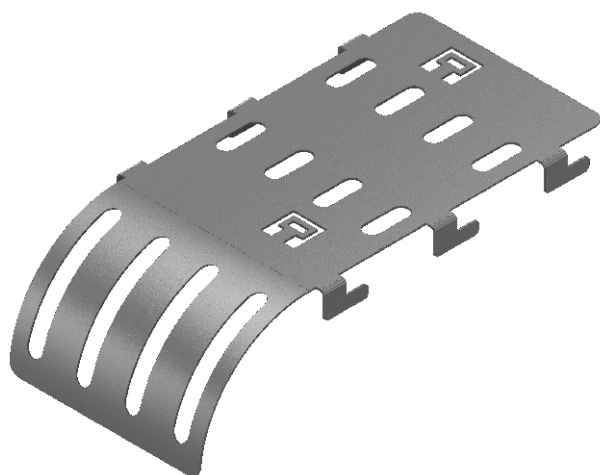
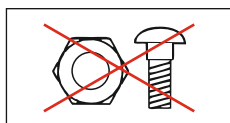
■ When special wire thickness are being used please contact our company.
 ■ Material weights may vary by $\pm 10\%$



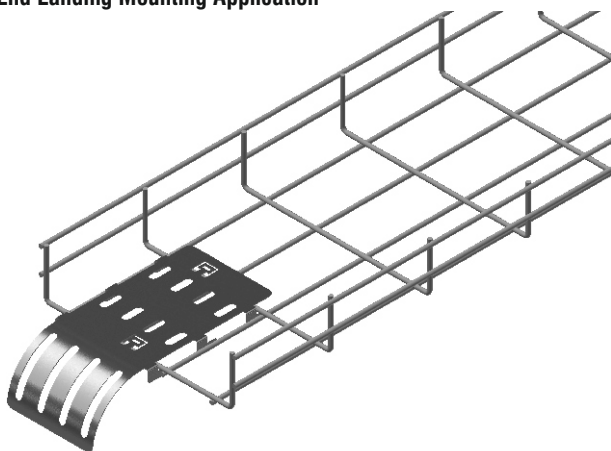
►► **TLS LANDING PLATE** Pre-galvanized (TS 10143)

Description	R (mm)	L (mm)	T (mm)	Weight (kg./tk.)	Order Code
TLS Landing Plate	50	192	1,2 mm	0,155	3179601

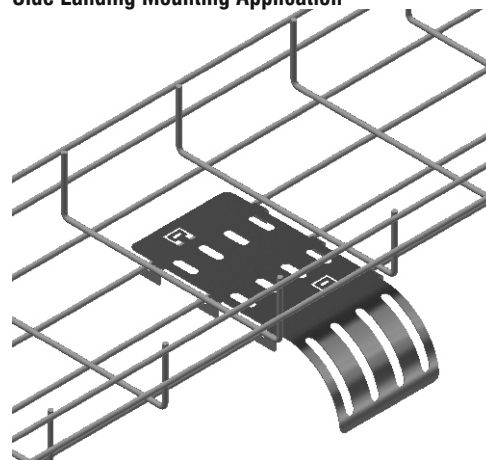
►► **APPLICATION EXAMPLES**



End Landing Mounting Application



Side Landing Mounting Application



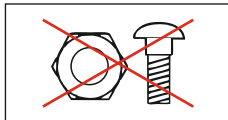
- Please state the order code when ordering.
- Standard Length 3000 mm.

- When special wire thickness are being used please contact our company.
- Material weights may vary by $\pm 10\%$

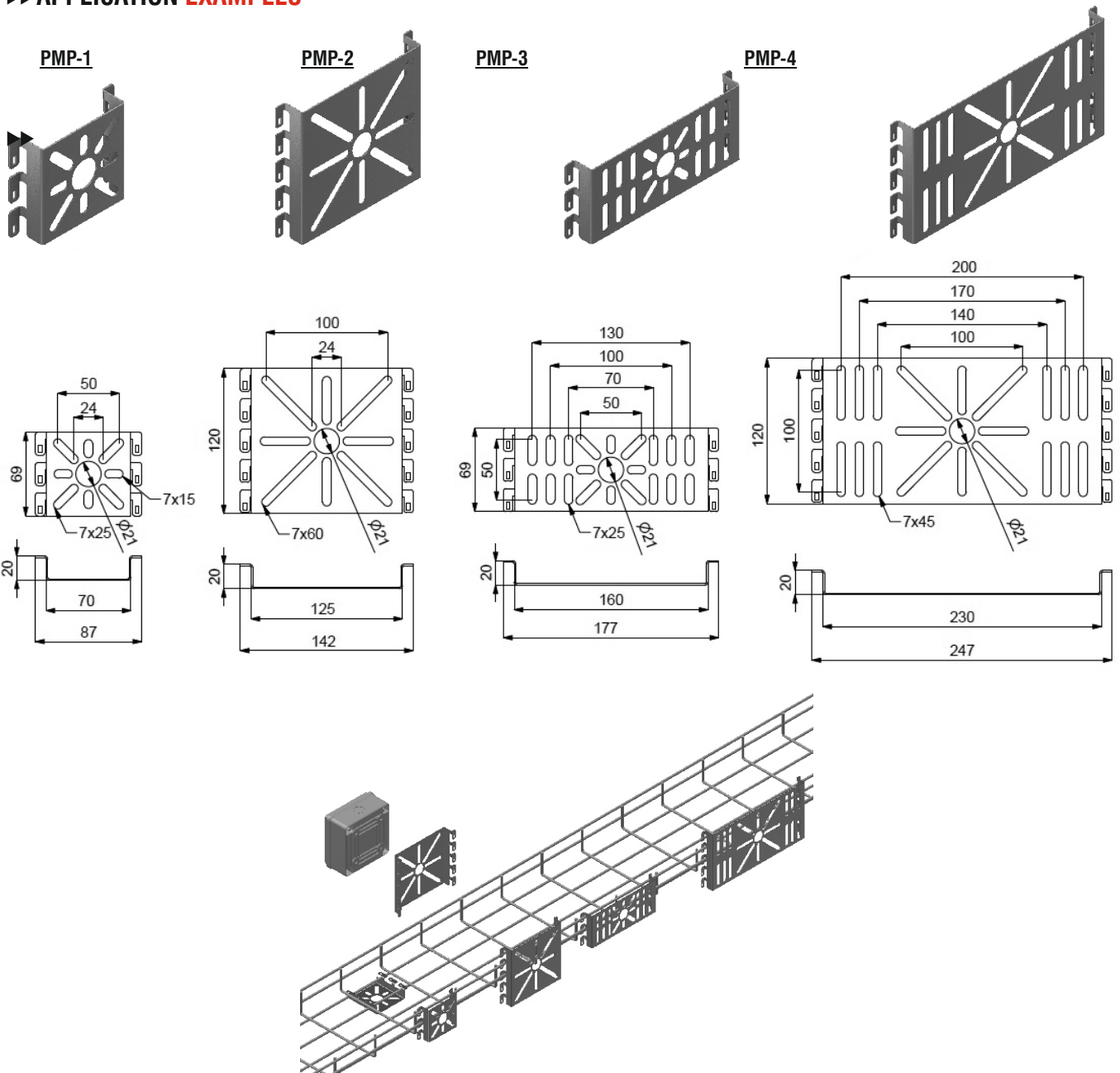


►► **TLS MOUNTING PLATE** Pre-galvanized (TS 10143)

Description	T (mm)	Weight (kg./tk.)	Order Code
TLS PMP-1	1,2 mm	0,056	3179602
TLS PMP-2	1,2 mm	0,158	3179603
TLS PMP-3	1,2 mm	0,098	3179604
TLS PMP-4	1,2 mm	0,238	3179605



►► **APPLICATION EXAMPLES**



- Please state the order code when ordering.
- Standard Length 3000 mm.

- When special wire thickness are being used please contact our company.
- Material weights may vary by $\pm 10\%$



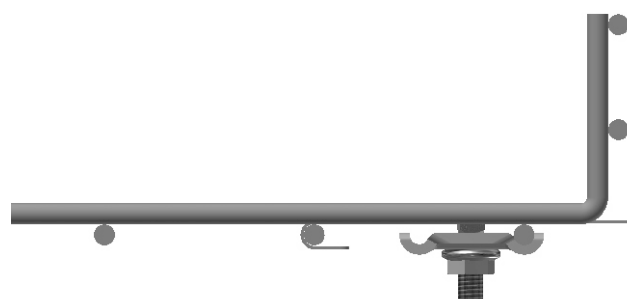
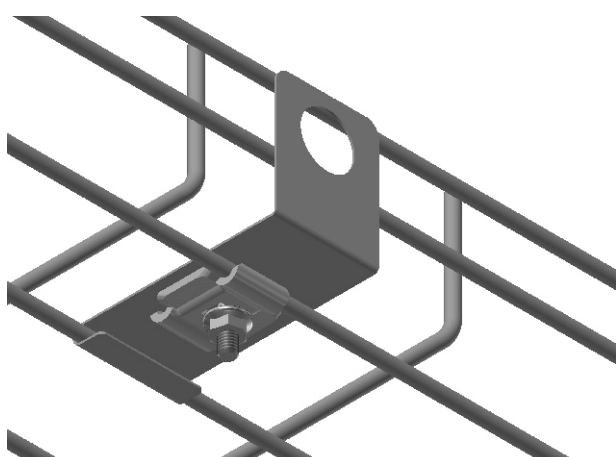
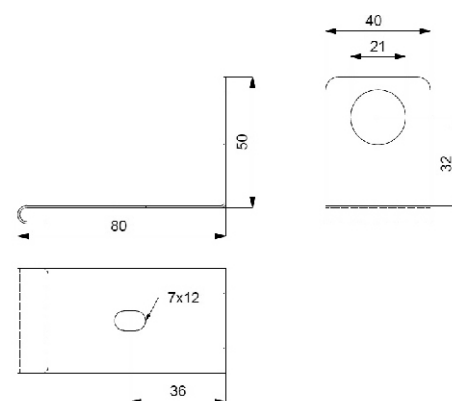
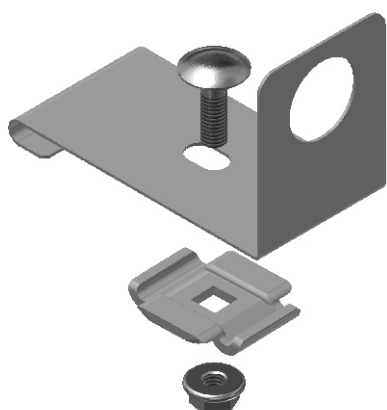
►► **TLS UNION OUTLET ELEMENT** Pre-galvanized (TS 10143)

Description	Ø (mm)	T (mm)	Weight (kg./tk.)	Order Code
TLS Union Outlet Element (1 Set)	21	1,2 mm	0,080	3179606

“Union Outlet Element” Content of 1 set;

- 1 pcs. Union Outlet Element
- 1 pcs. “Cable Basket Joint Fitting”
- 1 pcs. Dished Head Bolt M6x20
- 1 pcs. Nut M6.

►► **APPLICATION EXAMPLES**



■ Please state the order code when ordering.
 ■ Standard Length 3000 mm.

■ When special wire thickness are being used please contact our company.
 ■ Material weights may vary by $\pm 10\%$



►► **TLS SEPARATOR** Pre-galvanized (TS 10143)

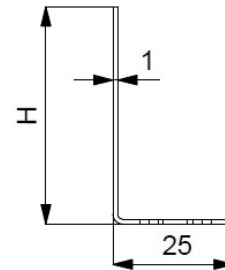
Description	H (mm)	L (mm)	T (mm)	Weight (kg./tk.)	Order Code
TLS Separator H35	24	3000	1,0 mm	0,349	3179608
TLS Separator H55	44	3000	1,0 mm	0,506	3179609
TLS Separator H100	89	3000	1,0 mm	0,859	3179610

Or;

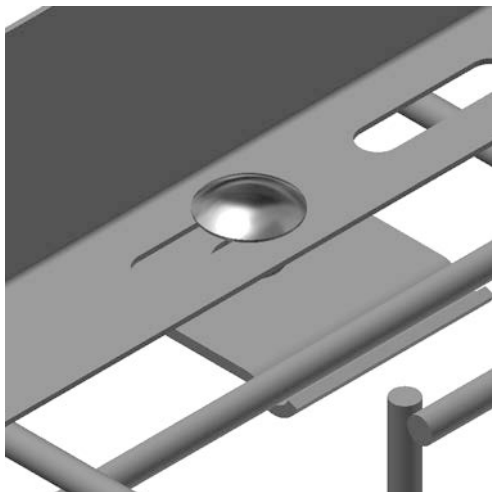
Can Be Ordered For Assembly :

- **Wire Mesh Joint Fitting ;**
 - Dished Head Bolt M6x20
 - Nut M6
- **Fixing Unit ;**
 - Dished Head Bolt M6x20
 - Nut M6

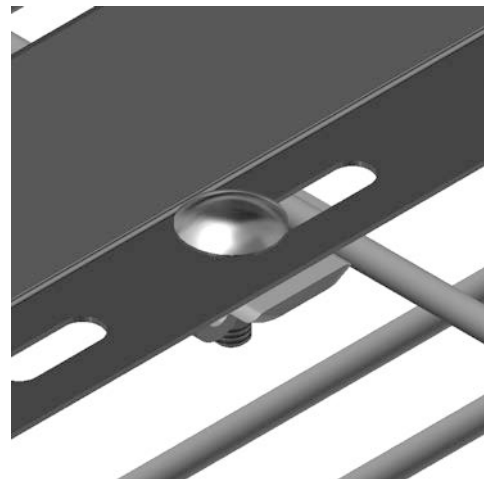
►► **APPLICATION EXAMPLES**



INSTALLATION WITH A FIXING ELEMENT



INSTALLATION WITH A WIRE DUCT ATTACHMENT



■ Please state the order code when ordering.
 ■ Standard Length 3000 mm.

■ When special wire thickness are being used please contact our company.
 ■ Material weights may vary by $\pm 10\%$



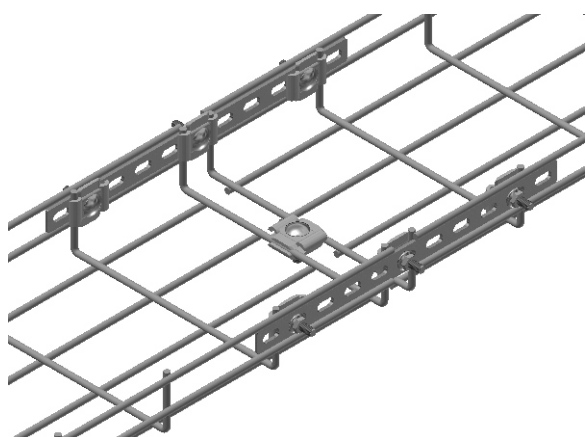
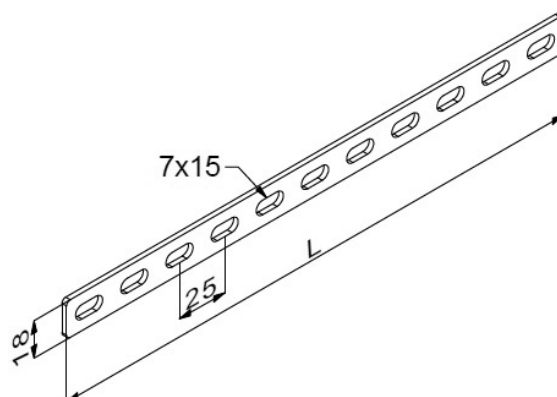
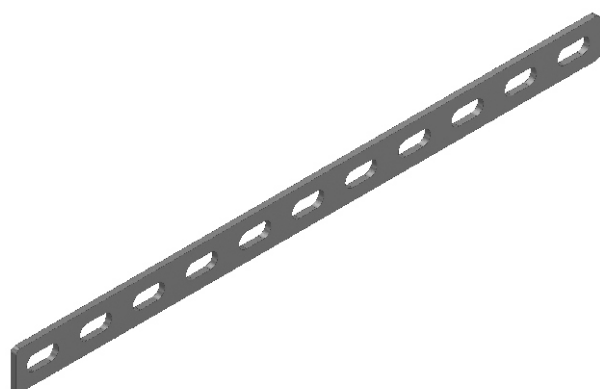
►► **TLS SLOTTED STRAIGHT STRIP** Pre-galvanized (TS 10143)

Description	H (mm)	L (mm)	T (mm)	Weight (kg./tk.)	Order Code
TLS SLOTTED STRAIGHT STRIP 275	18	275	2,5 mm	0,077	3179611
TLS SLOTTED STRAIGHT STRIP 550	18	550	2,5 mm	0,153	3179612
TLS SLOTTED STRAIGHT STRIP 1100	18	1100	2,5 mm	0,307	3179613

Accessories that shall be ordered in addition to 1 piece of “Slotted Straight Strip”:

- 3 pcs. Wire Mesh Joint Fitting
- 3 pcs. Dished Head Bolt M6x20
- 3 pcs. Nut M6.

►► **APPLICATION EXAMPLES**



■ Please state the order code when ordering.
 ■ Standard Length 3000 mm.

■ When special wire thickness are being used please contact our company.
 ■ Material weights may vary by $\pm 10\%$



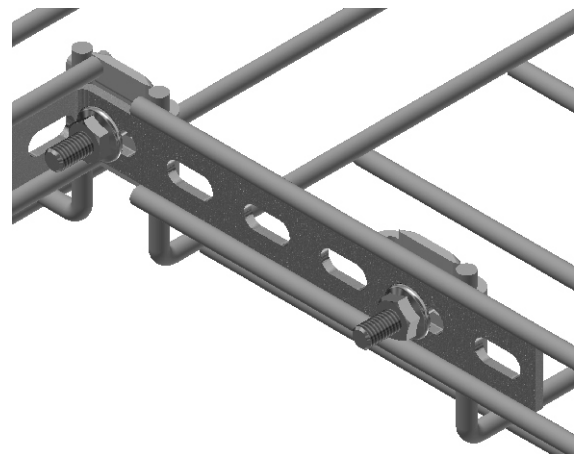
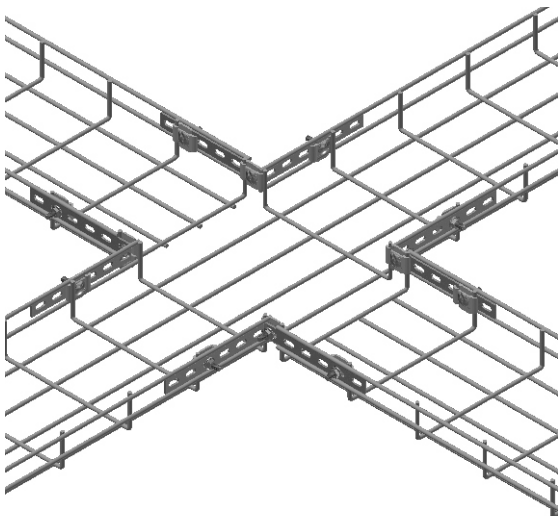
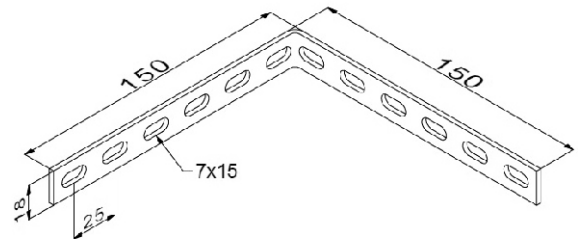
►► **TLS SLOTTED L-STRIP** Pre-galvanized (TS 10143)

Description	H (mm)	L (mm)	T (mm)	Weight (kg./tk.)	Order Code
TLS SLOTTED L-STRIP	18	150x150	2,5 mm	0,082	3179615

Accessories that shall be ordered in addition to 1 piece of "Slotted L-Strip":

- 3 pcs. Wire Mesh Joint Fitting
- 3 pcs. Dished Head Bolt M6x20
- 3 pcs. Nut M6.

►► **APPLICATION EXAMPLES**



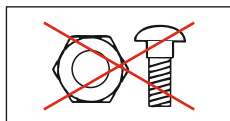
■ Please state the order code when ordering.
 ■ Standard Length 3000 mm.

■ When special wire thickness are being used please contact our company.
 ■ Material weights may vary by $\pm 10\%$

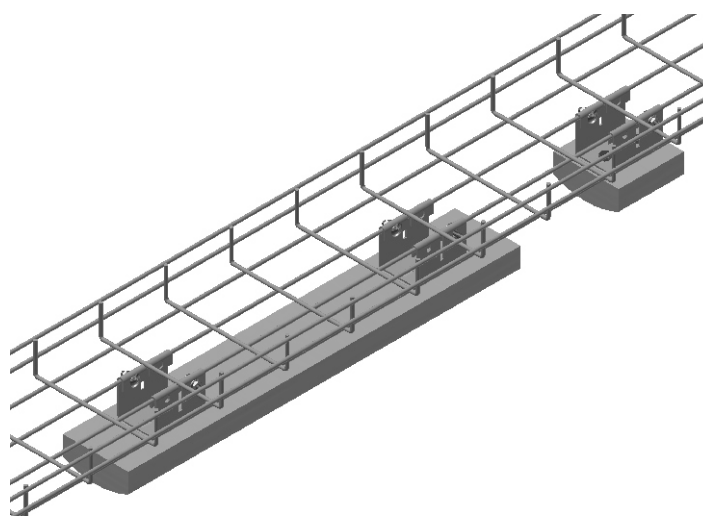
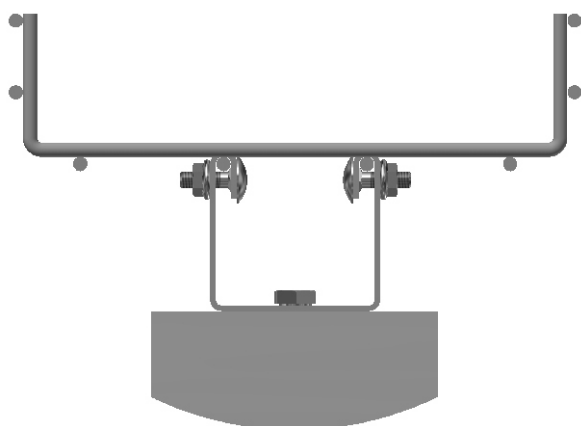
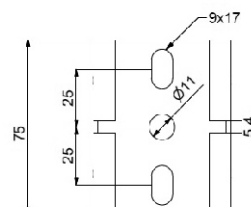
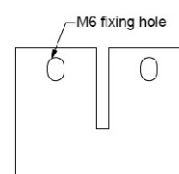
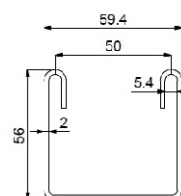
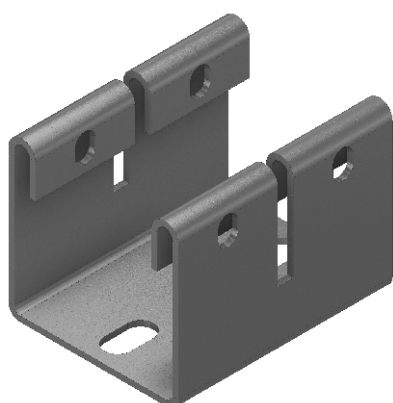


►► **TLS FIXTURE HOLDER** Pre-galvanized (TS 10143)

Description	H (mm)	L (mm)	T (mm)	Weight (kg./tk.)	Order Code
TLS FIXTURE HOLDER	56	75	2,0 mm	0,216	3179616



►► **APPLICATION EXAMPLES**



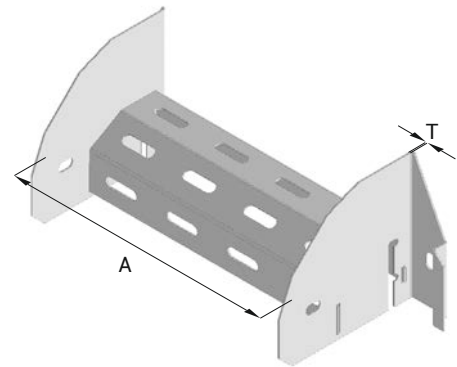
- Please state the order code when ordering.
- Standard Length 3000 mm.

- When special wire thickness are being used please contact our company.
- Material weights may vary by $\pm 10\%$

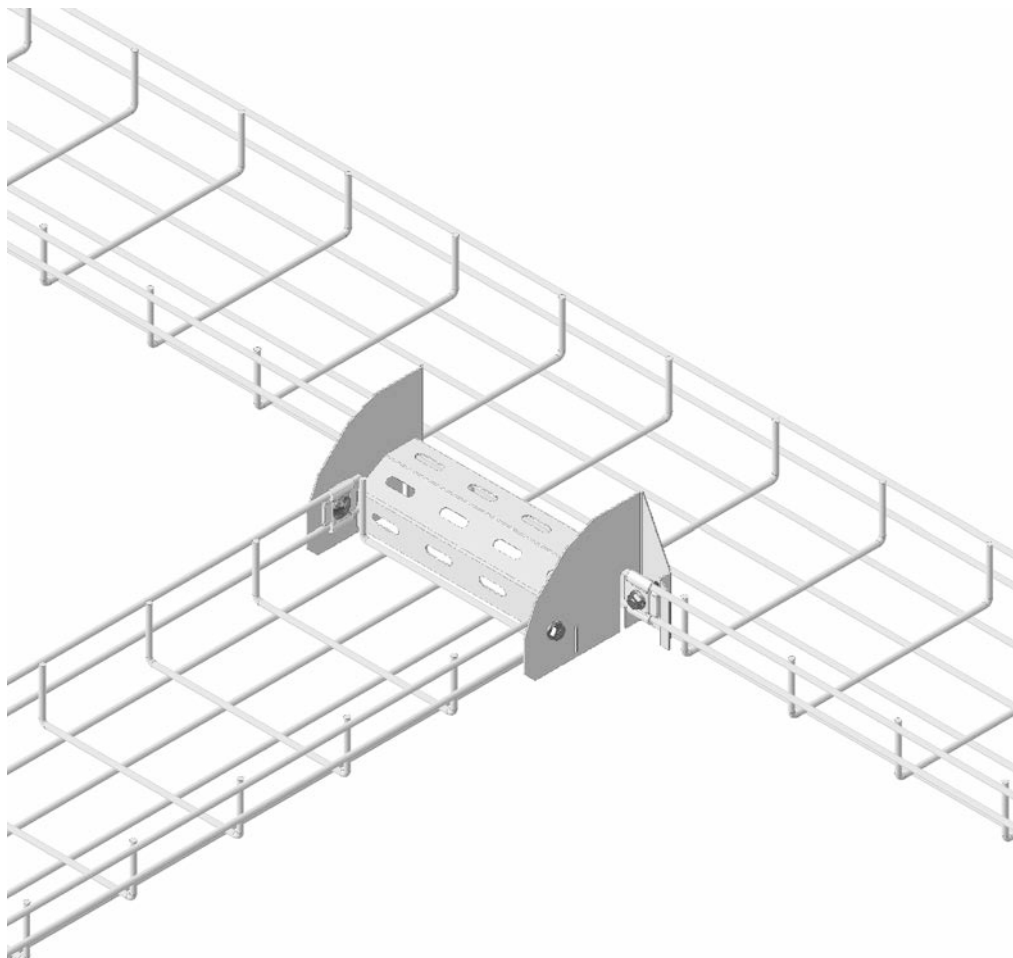


►► **WIRE MESH SIDE DROPOUT MODULE TYPE 1** Pre-galvanized (TS 10143)

Description	A (mm)	T (mm)	Weight (kg./pcs.)	Order Code
H55 TLS Side Dropout Module Type 1 - 050	50	1,2	0,292	3197355
H55 TLS Side Dropout Module Type 1 - 100	100	1,2	0,344	3197356
H55 TLS Side Dropout Module Type 1 - 150	150	1,2	0,397	3197357
H55 TLS Side Dropout Module Type 1 - 200	200	1,2	0,449	3197358
H55 TLS Side Dropout Module Type 1 - 250	250	1,2	0,501	3197359
H55 TLS Side Dropout Module Type 1 - 300	300	1,2	0,554	3197360
H55 TLS Side Dropout Module Type 1 - 400	400	1,2	0,659	3197361
H55 TLS Side Dropout Module Type 1 - 500	500	1,2	0,764	3197362
H55 TLS Side Dropout Module Type 1 - 600	600	1,2	0,868	3197363
H100 TLS Side Dropout Module Type 1 - 100	100	1,2	0,474	3197364
H100 TLS Side Dropout Module Type 1 - 150	150	1,2	0,527	3197365
H100 TLS Side Dropout Module Type 1 - 200	200	1,2	0,579	3197366
H100 TLS Side Dropout Module Type 1 - 250	250	1,2	0,631	3197367
H100 TLS Side Dropout Module Type 1 - 300	300	1,2	0,684	3197368
H100 TLS Side Dropout Module Type 1 - 400	400	1,2	0,789	3197369
H100 TLS Side Dropout Module Type 1 - 500	500	1,2	0,894	3197370
H100 TLS Side Dropout Module Type 1 - 600	600	1,2	0,998	3197371



- Side dropout module type 1 for assembly ;
- 4 Piece Wire Mesh Joint Fitting
- 4 Piece Dished Head Bolt M6x20
- 4 Piece Flanged M6.



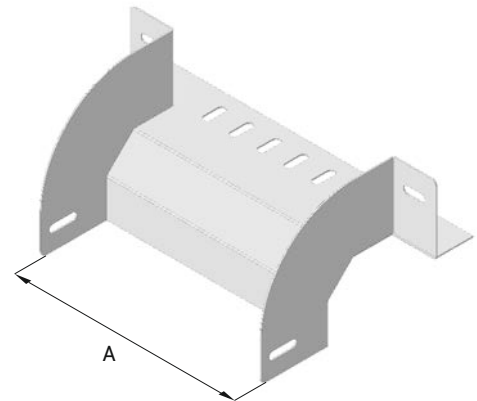
- Please indicate order code in your orders.
- Standard Length 3000 mm.

- When special wire thickness are being used please contact our company.
- Material weights may vary by $\pm 10\%$

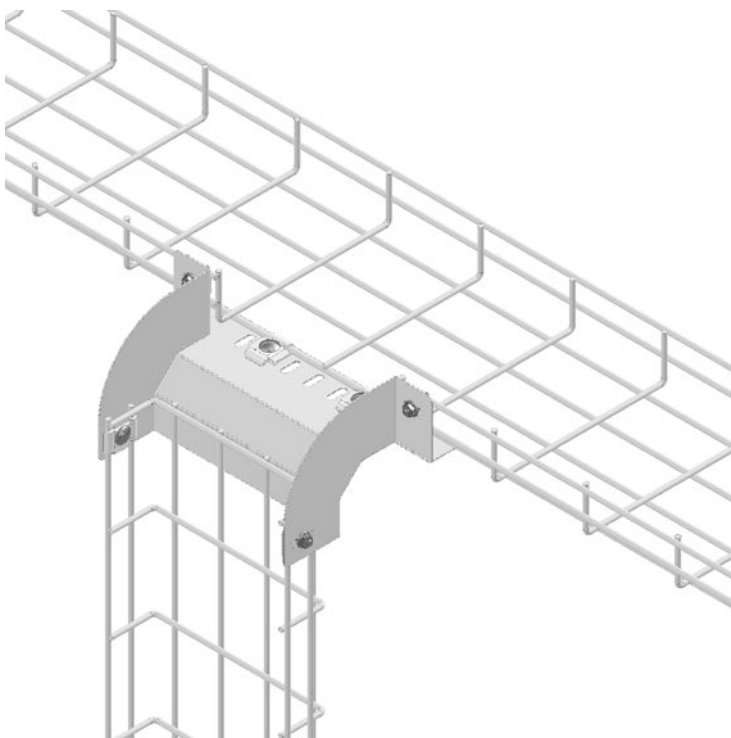


►► **WIRE MESH SIDE DROPOUT MODULE TYPE 2** Pre-galvanized (TS 10143)

Description	A (mm)	T (mm)	Weight (kg./pcs.)	Order Code
H35 TLS Side Dropout Module Type 2 - 050	50	1,2	0,239	3197372
H35 TLS Side Dropout Module Type 2 - 100	100	1,2	0,302	3197373
H35 TLS Side Dropout Module Type 2 - 150	150	1,2	0,365	3197374
H35 TLS Side Dropout Module Type 2 - 200	200	1,2	0,428	3197375
H35 TLS Side Dropout Module Type 2 - 250	250	1,2	0,491	3197376
H35 TLS Side Dropout Module Type 2 - 300	300	1,2	0,554	3197377
H35 TLS Side Dropout Module Type 2 - 400	400	1,2	0,617	3197378
H35 TLS Side Dropout Module Type 2 - 500	500	1,2	0,681	3197379
H35 TLS Side Dropout Module Type 2 - 600	600	1,2	0,744	3197380
H55 TLS Side Dropout Module Type 2 - 050	50	1,2	0,359	3197381
H55 TLS Side Dropout Module Type 2 - 100	100	1,2	0,388	3197382
H55 TLS Side Dropout Module Type 2 - 150	150	1,2	0,451	3197383
H55 TLS Side Dropout Module Type 2 - 200	200	1,2	0,514	3197384
H55 TLS Side Dropout Module Type 2 - 250	250	1,2	0,577	3197385
H55 TLS Side Dropout Module Type 2 - 300	300	1,2	0,640	3197386
H55 TLS Side Dropout Module Type 2 - 400	400	1,2	0,703	3197387
H55 TLS Side Dropout Module Type 2 - 500	500	1,2	0,767	3197388
H55 TLS Side Dropout Module Type 2 - 600	600	1,2	0,830	3197389
H100 TLS Side Dropout Module Type 2 - 100	100	1,2	0,624	3197390
H100 TLS Side Dropout Module Type 2 - 150	150	1,2	0,687	3197391
H100 TLS Side Dropout Module Type 2 - 200	200	1,2	0,750	3197392
H100 TLS Side Dropout Module Type 2 - 250	250	1,2	0,813	3197393
H100 TLS Side Dropout Module Type 2 - 300	300	1,2	0,876	3197394
H100 TLS Side Dropout Module Type 2 - 400	400	1,2	0,939	3197395
H100 TLS Side Dropout Module Type 2 - 500	500	1,2	1,003	3197396
H100 TLS Side Dropout Module Type 2 - 600	600	1,2	1,066	3197397



- TLS Side dropout module type 2 for assembly ;
- 6 Piece Wire Mesh Joint Fitting
- 6 Piece Dished Head Bolt M6x20
- 6 Piece Flanged M6.



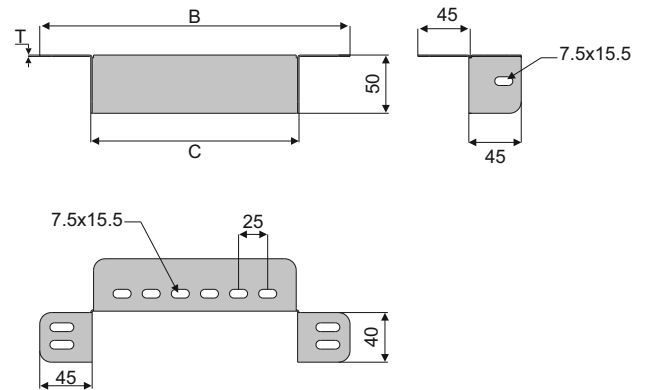
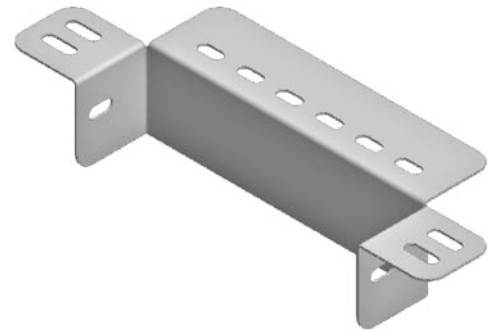
- Please indicate order code in your orders.
- Standard Length 3000 mm.

- When special wire thickness are being used please contact our company.
- Material weights may vary by $\pm 10\%$

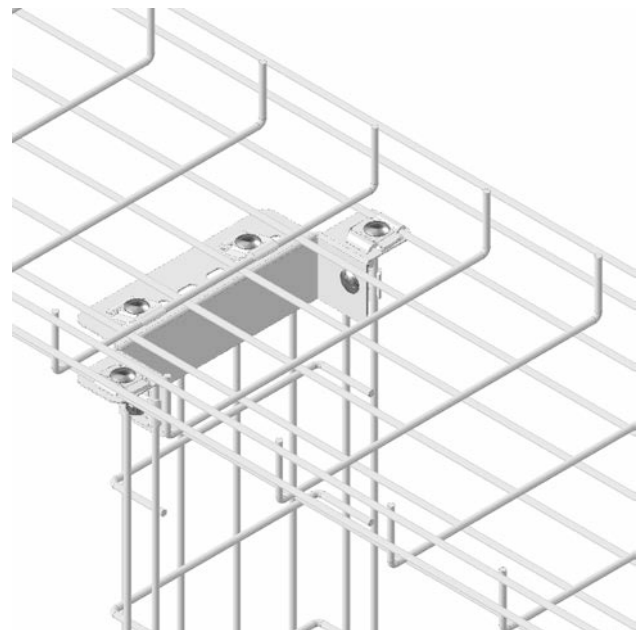
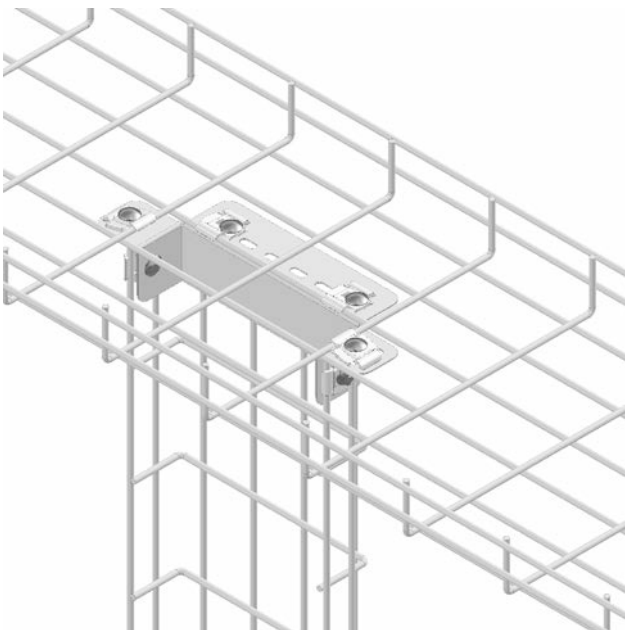


► **WIRE MESH BOTTOM DROPOUT MODULE** Pre-galvanized (TS 10143)

Description	A (mm)	T (mm)	Weight (kg./pcs.)	Order Code
H35 TLS Bottom Dropout - 050	50	1,2	0,057	3197398
H35 TLS Bottom Dropout - 100	100	1,2	0,100	3197399
H35 TLS Bottom Dropout - 150	150	1,2	0,142	3197400
H35 TLS Bottom Dropout - 200	200	1,2	0,184	3197401
H35 TLS Bottom Dropout - 250	250	1,2	0,226	3197402
H35 TLS Bottom Dropout - 300	300	1,2	0,268	3197403
H35 TLS Bottom Dropout - 400	400	1,2	0,352	3197404
H35 TLS Bottom Dropout - 500	500	1,2	0,436	3197405
H35 TLS Bottom Dropout - 600	600	1,2	0,520	3197406
H55 TLS Bottom Dropout - 050	50	1,2	0,089	3197407
H55 TLS Bottom Dropout - 100	100	1,2	0,131	3197408
H55 TLS Bottom Dropout - 150	150	1,2	0,173	3197409
H55 TLS Bottom Dropout - 200	200	1,2	0,215	3197410
H55 TLS Bottom Dropout - 250	250	1,2	0,257	3197411
H55 TLS Bottom Dropout - 300	300	1,2	0,299	3197412
H55 TLS Bottom Dropout - 400	400	1,2	0,384	3197413
H55 TLS Bottom Dropout - 500	500	1,2	0,468	3197414
H55 TLS Bottom Dropout - 600	600	1,2	0,552	3197415
H100 TLS Bottom Dropout - 100	100	1,2	0,202	3197416
H100 TLS Bottom Dropout - 150	150	1,2	0,244	3197417
H100 TLS Bottom Dropout - 200	200	1,2	0,286	3197418
H100 TLS Bottom Dropout - 250	250	1,2	0,328	3197419
H100 TLS Bottom Dropout - 300	300	1,2	0,370	3197420
H100 TLS Bottom Dropout - 400	400	1,2	0,454	3197421
H100 TLS Bottom Dropout - 500	500	1,2	0,538	3197422
H100 TLS Bottom Dropout - 600	600	1,2	0,623	3197423



- TLS Bottom Dropout for assembly ;
6 Piece Wire Mesh Joint Fitting
6 Piece Dished Head Bolt M6x20
6 Piece Flanged M6.



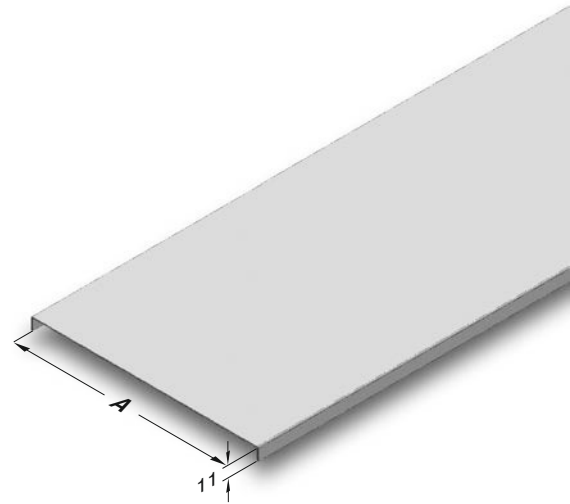
- Please indicate order code in your orders.
- Standard Length 3000 mm.

- When special wire thickness are being used please contact our company.
- Material weights may vary by $\pm 10\%$



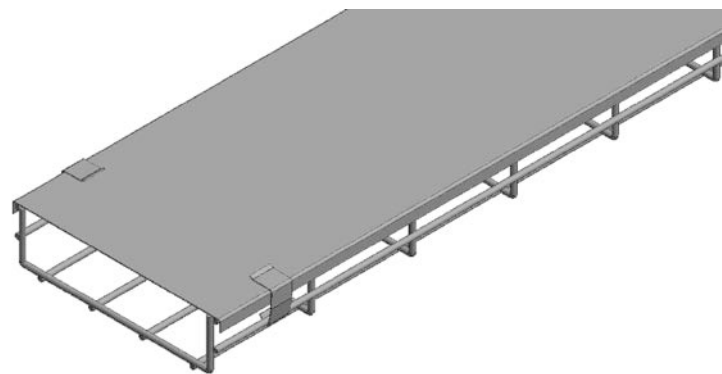
►► **COVER** Pre-galvanized (TS 10143)

Description	A (mm)	T (mm)	Weight (kg./m.)	Order Code
UKK 50	50	0,8	0,448	3008371
UKK 100	100	0,8	0,757	3008370
UKK 150	150	1,0	1,341	3008369
UKK 200	200	1,0	1,735	3008368
UKK 250	250	1,2	2,556	3008367
UKK 300	300	1,2	3,030	3008366
UKK 400	400	1,5	4,970	3008365
UKK 500	500	1,5	6,154	3008364
UKK 600	600	1,5	7,330	3006017



►► **COVER CLAMPS** Pre-galvanized (TS 10143)

Description	T (mm)	Weight (kg./pcs.)	Order Code
H35 TLS COVER CLAMPS	1	0,020	1028449
H55/H100 TLS COVER CLAMPS	1	0,015	1028451



■ Please order TLS cover clamps to use 2 pieces for each 1 meter length.

■ Please indicate order code in your orders.
■ Standard Length 3000 mm.

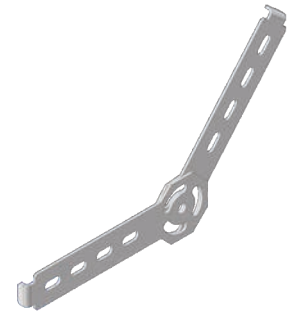
■ When special wire thickness are being used please contact our company.
■ Material weights may vary by $\pm 10\%$



►► **WIRE MESH LEVEL ADAPTATION MODULE** Pre-galvanized (TS 10143)

Description	T (mm)	Weight (kg./set.)	Order Code
H55/H100 TLS SDE	2	0,864	3200383

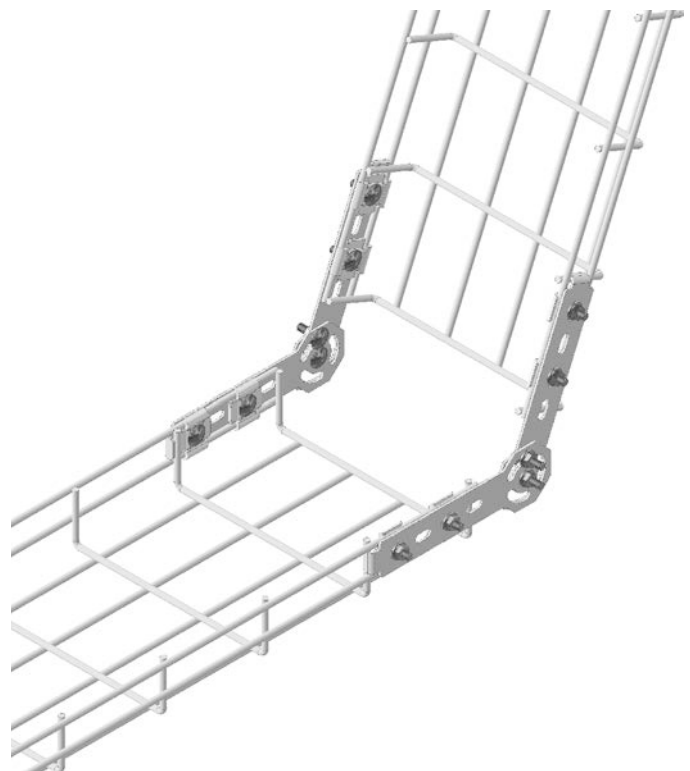
- 1 Piece Level Adaptation Module ;
- 4 Piece SDE Set,
- 8 Piece Wire Mesh Joint Fitting
- 12 Piece Bolts M6x20
- 12 Piece Nuts M6.



DOWNWARD DESCENT EXAMPLE



UPWARD DESCENT EXAMPLE



- Please indicate order code in your orders.
- Standard Length 3000 mm.

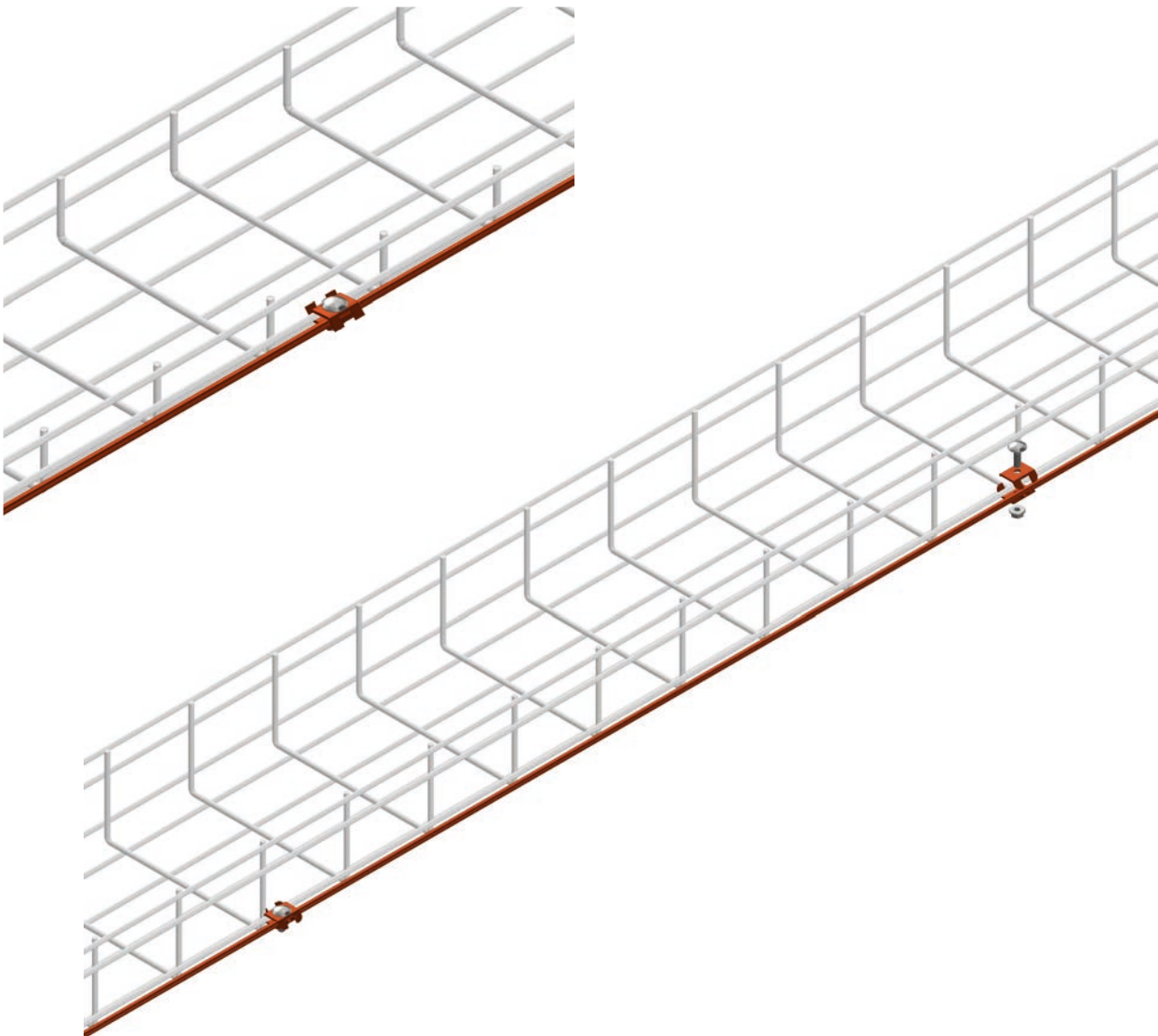
- When special wire thickness are being used please contact our company.
- Material weights may vary by $\pm 10\%$



►► WIRE MESH TABBED EARTHING CONNECTOR

Description	Weight (kg./set.)	Order Code
TLS Tabbed Earthing Connector	0,034	3197424

- 1 Piece Tabbed Earthing Connector for assembly ;
- 2 Piece Tabbed Copper Connector
- 1 Piece Dished Head Bolt M6x20
- 1 Piece Flanged M6.



- Please indicate order code in your orders.
- Standard Length 3000 mm.

- When special wire thickness are being used please contact our company.
- Material weights may vary by $\pm 10\%$



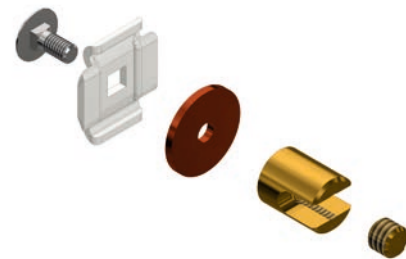
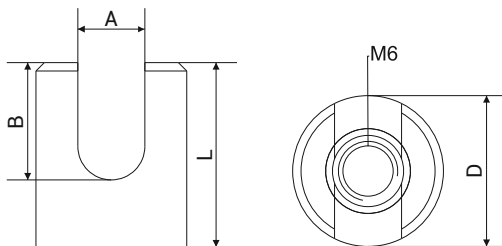
►► **EARTHING COMPONENTS**

Description	mm ²	A (mm)	B (mm)	D (mm)	L (mm)	Order Code
Brass Joint and Earthing Connector 1	10-35	8	14	18	22	1004225
Brass Joint and Earthing Connector 2	35-70	10	17	21	25	1004226

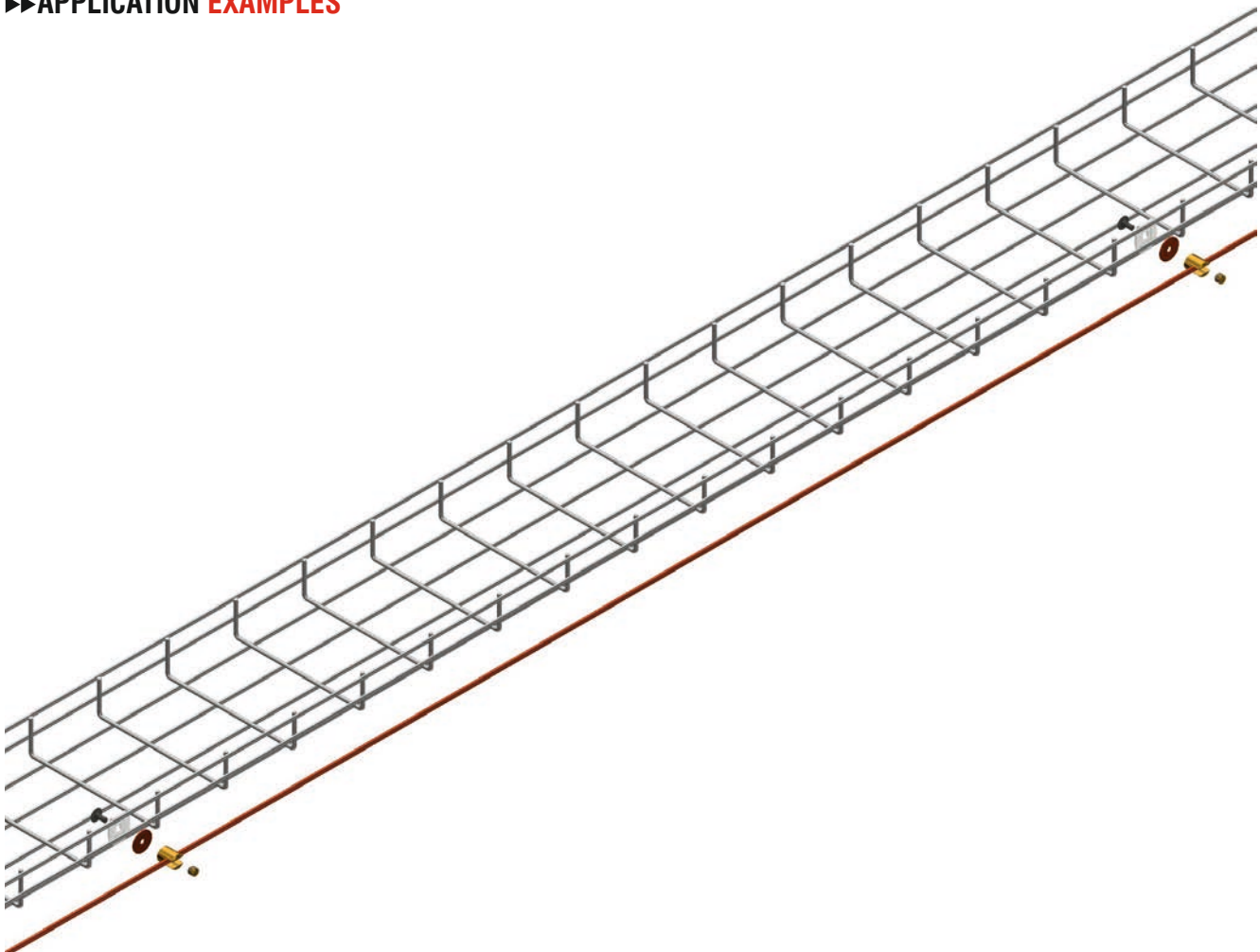
Brass Joint and Earthing Connector (Cylindrical)



- 1 Piece Cylindrical Earthing Connector for assembly ;
- 1 Piece Dished Head Bolt M6x12
- 1 Piece Wire Mesh Joint Fitting
- 1 Piece Grounding Washer
- 1 Piece Earthing Connector (Cylindrical)
- 1 Piece Brass Nut.



►► **APPLICATION EXAMPLES**



- Please indicate order code in your orders.
- Standard Length 3000 mm.

- When special wire thickness are being used please contact our company.
- Material weights may vary by ± 10%



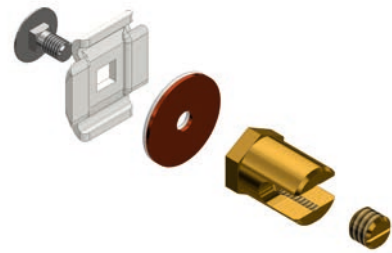
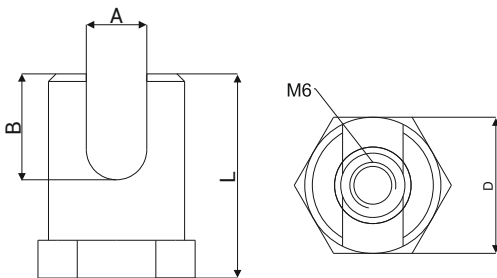
►► EARTHING COMPONENTS

Description	mm ²	A (mm)	B (mm)	D (mm)	L (mm)	Order Code
Brass Joint and Earthing Connector 5	10-35	8	14	18	22	1004229
Brass Joint and Earthing Connector 5	35-70	10	17	21	25	1004230

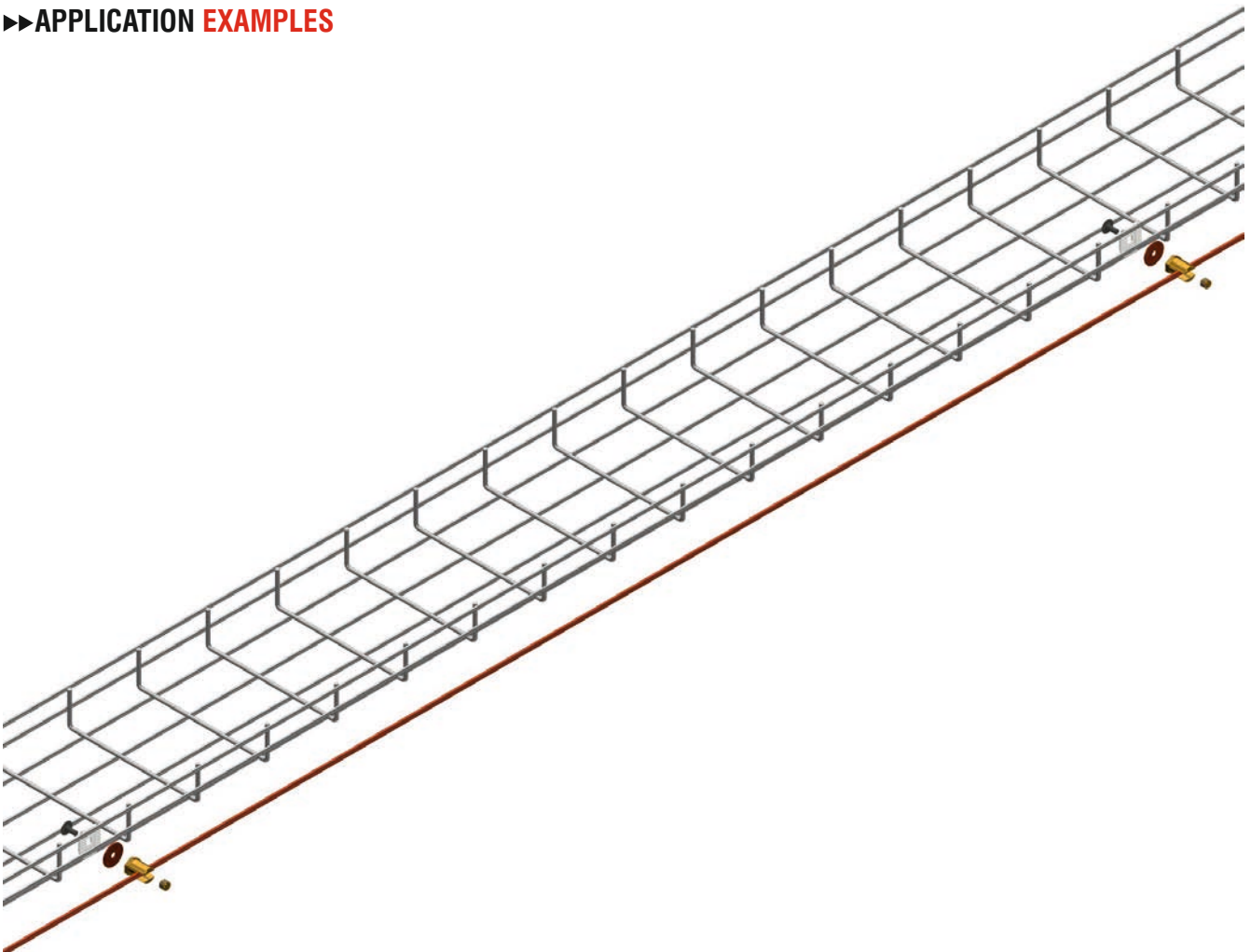
Brass Joint and Earthing Connector (Hexagonal)



- 1 Piece Hexagonal Earthing Connector for assembly ;
- 1 Piece Dished Head Bolt M6x12
- 1 Piece Wire Mesh Joint Fitting
- 1 Piece Grounding Washer
- 1 Piece Brass Joint and Earthing Connector(Hexagonal)
- 1 Piece Brass Nut.



►► APPLICATION EXAMPLES



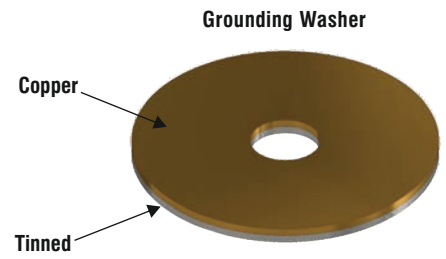
- Please indicate order code in your orders.
- Standard Length 3000 mm.

- When special wire thickness are being used please contact our company.
- Material weights may vary by ± 10%

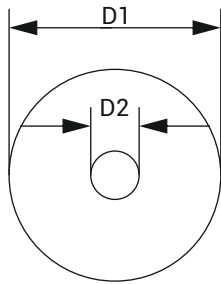


►► **GROUNDING WASHER**

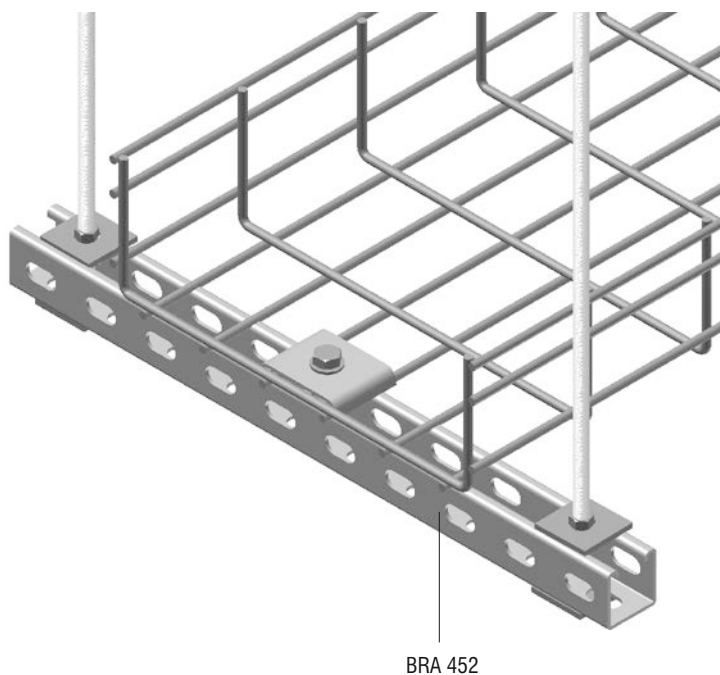
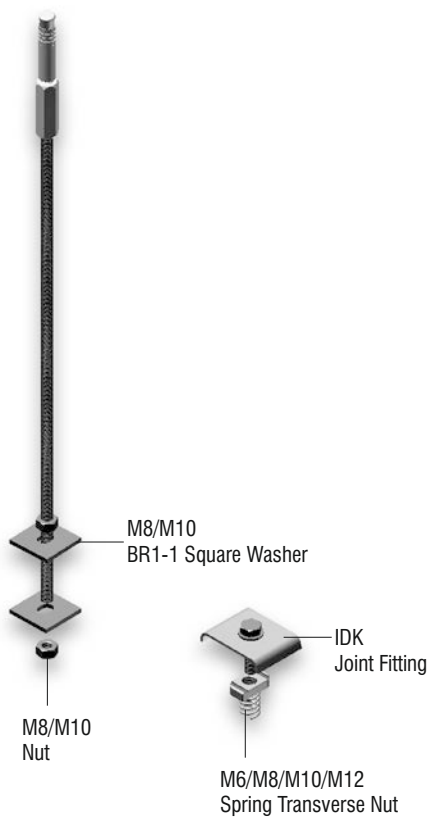
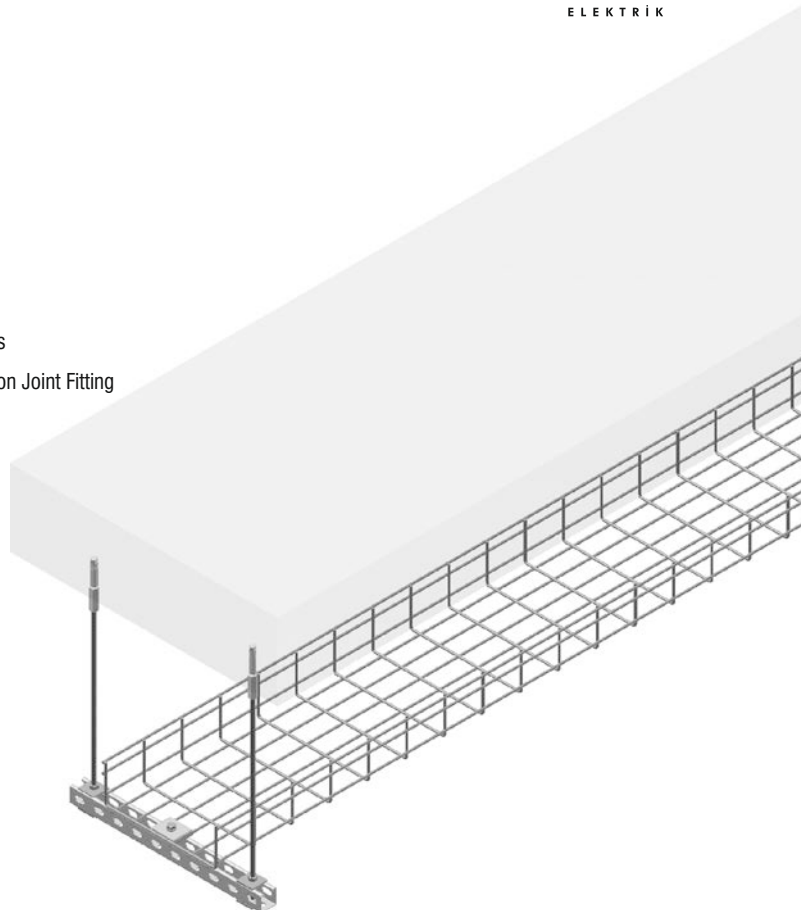
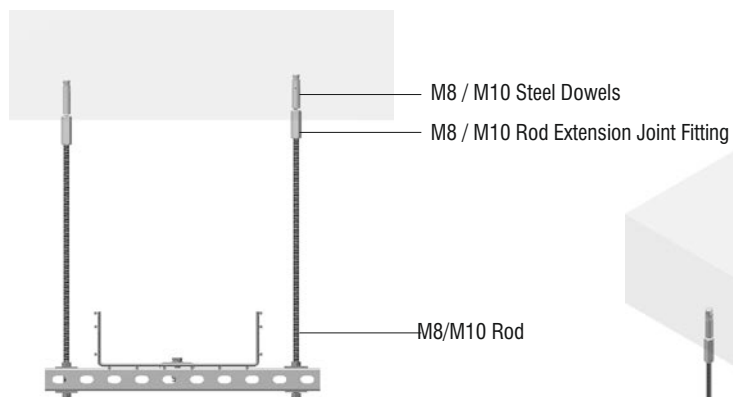
Description	D1 (mm)	D2 (mm)	Order Code
Grounding Washer 70-150 mm ²	28	6,4	1015433
Grounding Washer 150-185 mm ²	31	6,4	1015434



- "Copper and brass should be used in case of contact between materials and galvanized surfaces."
"Tin-coated faces of bimetal materials should be in contact with galvanized surfaces.
Wrong connection will cause galvanic corrosion."



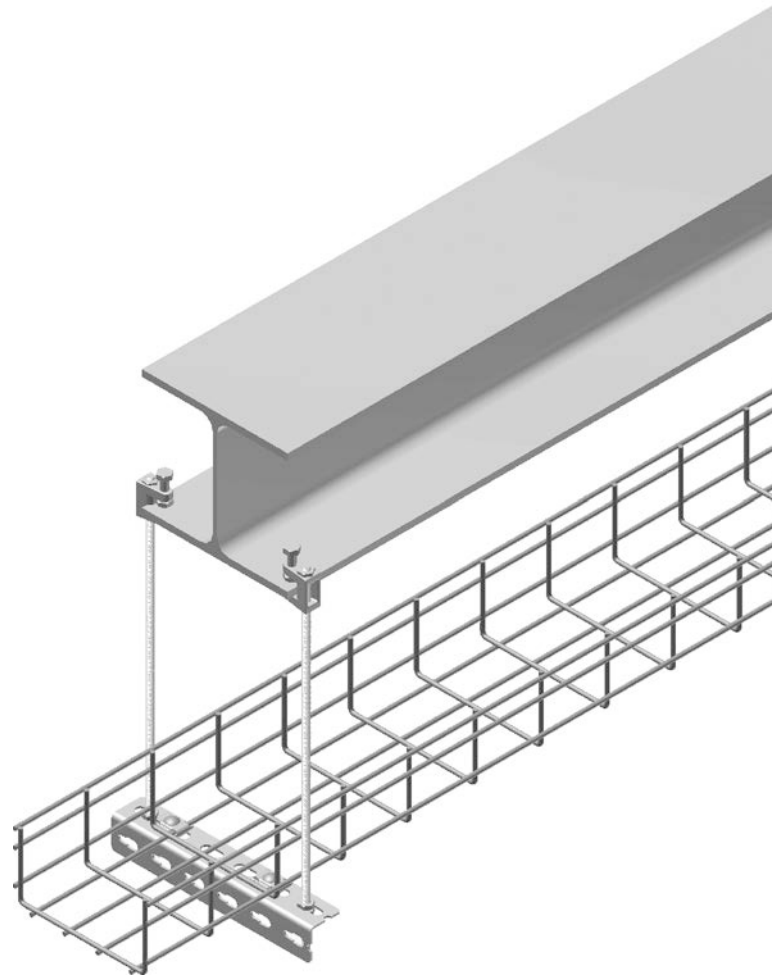
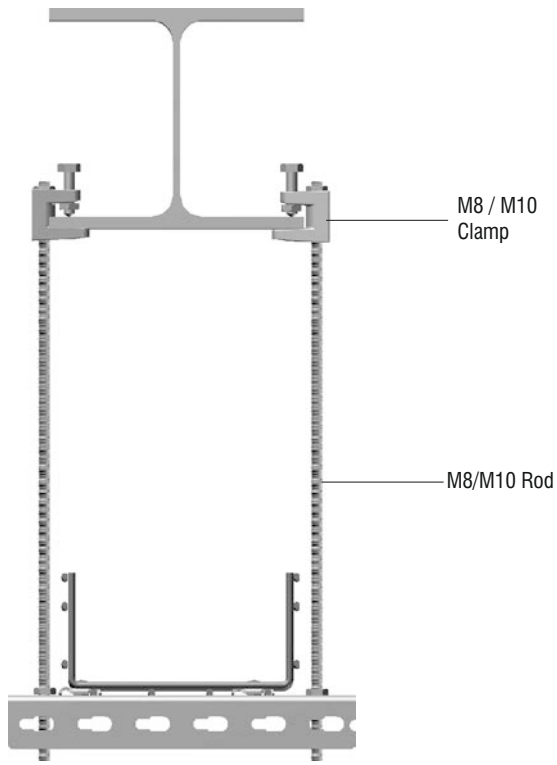
►► APPLICATION EXAMPLES



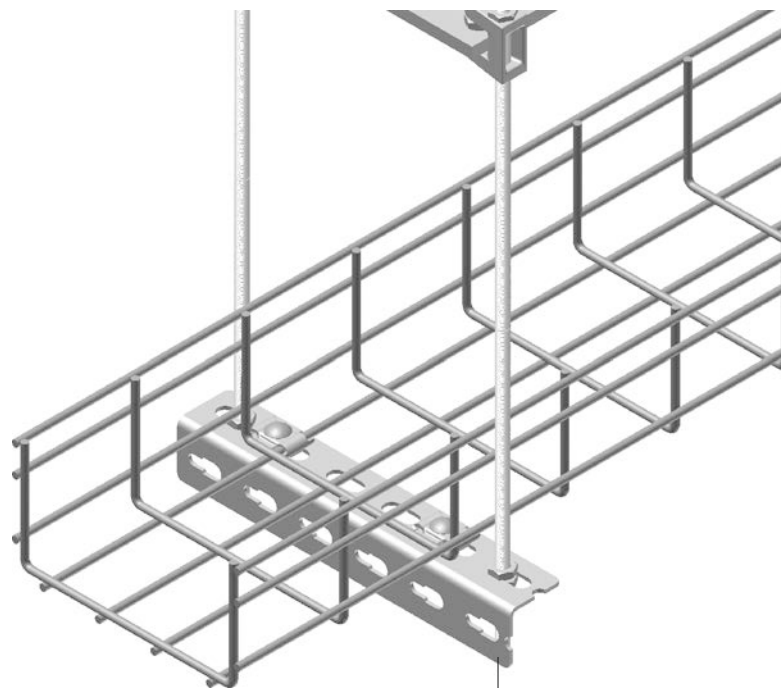
■ Please state the order code when ordering.
■ Standard Length 3000 mm.

■ When special wire thickness are being used please contact our company.
■ Material weights may vary by $\pm 10\%$

▶▶ APPLICATION EXAMPLES



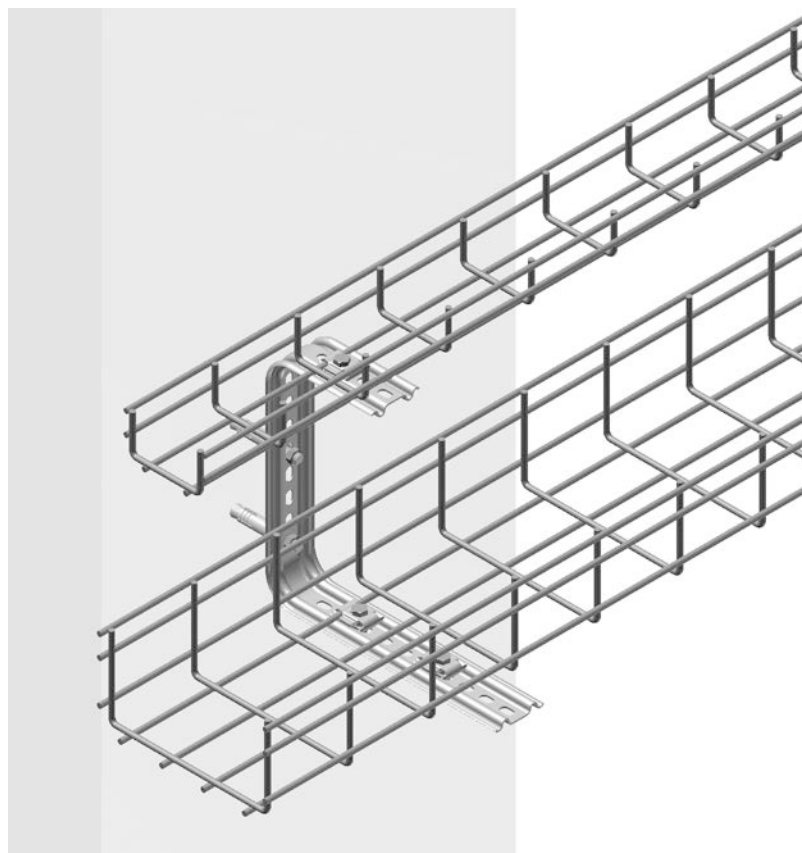
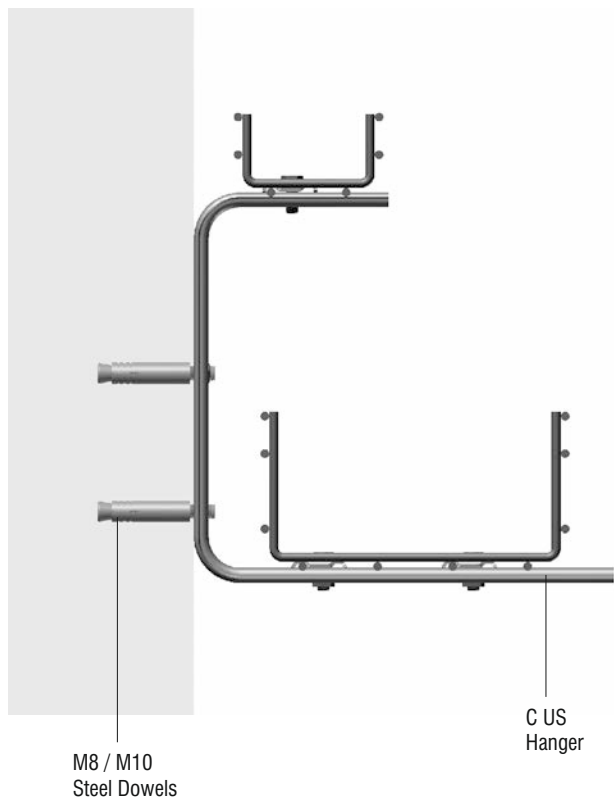
Cable Basket Joint Fitting



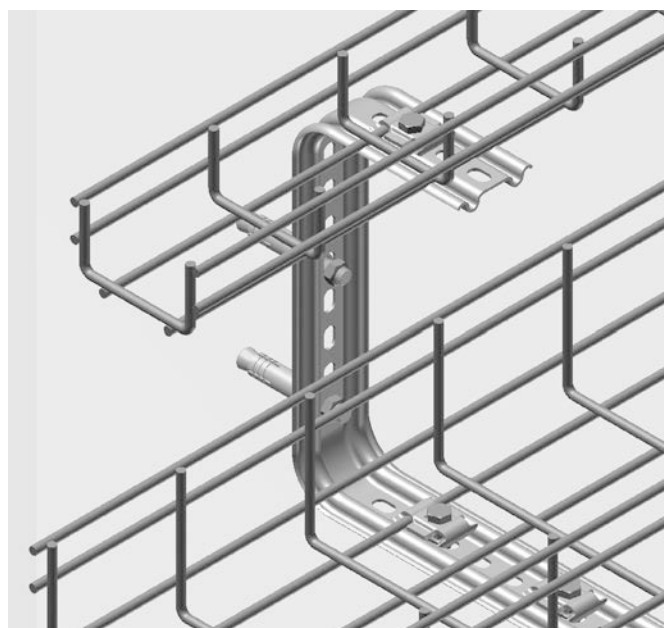
- Please state the order code when ordering.
- Standard Length 3000 mm.

- When special wire thickness are being used please contact our company.
- Material weights may vary by $\pm 10\%$

►► APPLICATION EXAMPLES



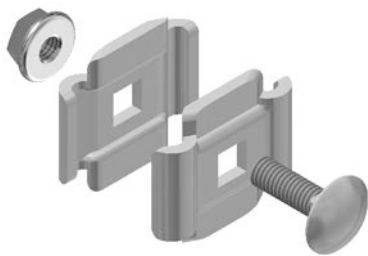
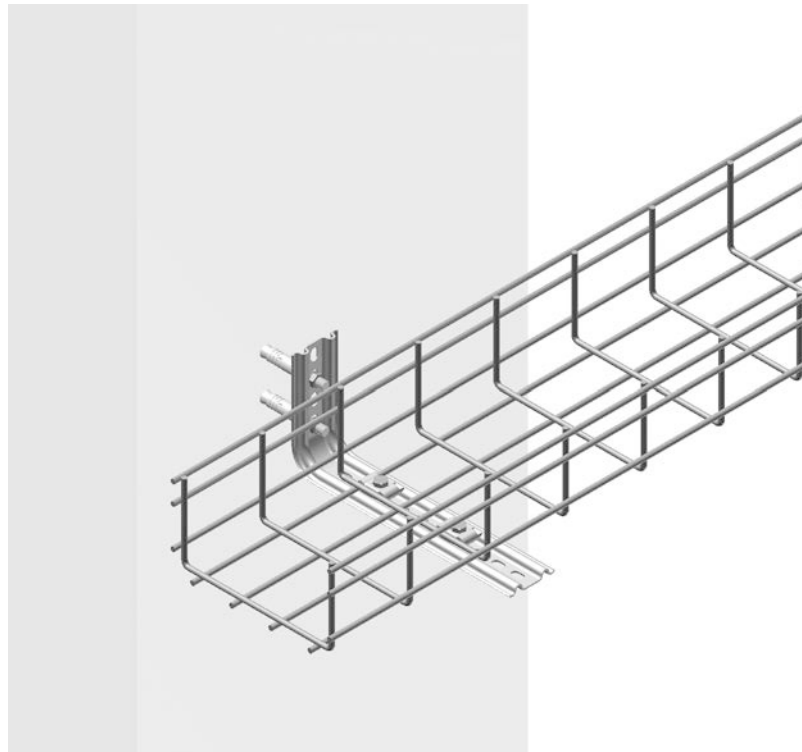
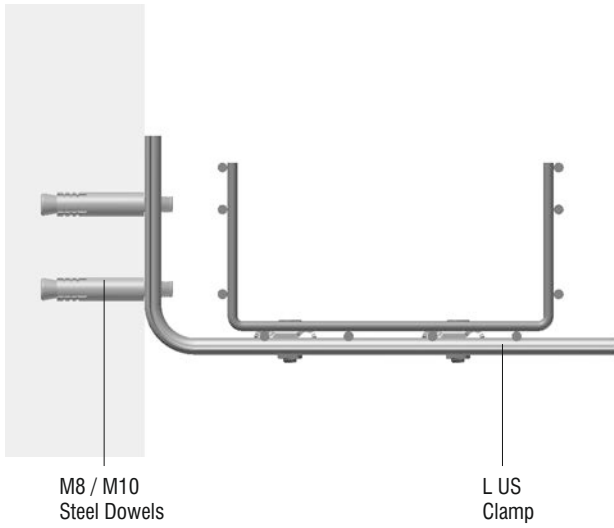
Cable Basket Joint Fitting



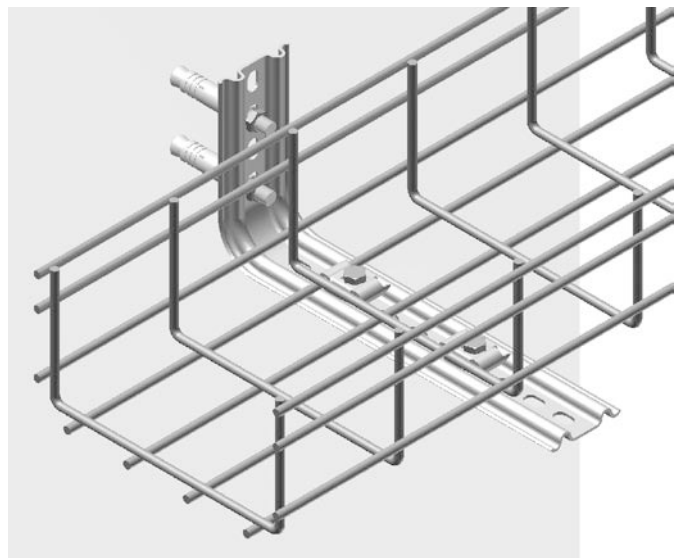
- Please state the order code when ordering.
- Standard Length 3000 mm.

- When special wire thickness are being used please contact our company.
- Material weights may vary by $\pm 10\%$

▶▶ APPLICATION EXAMPLES



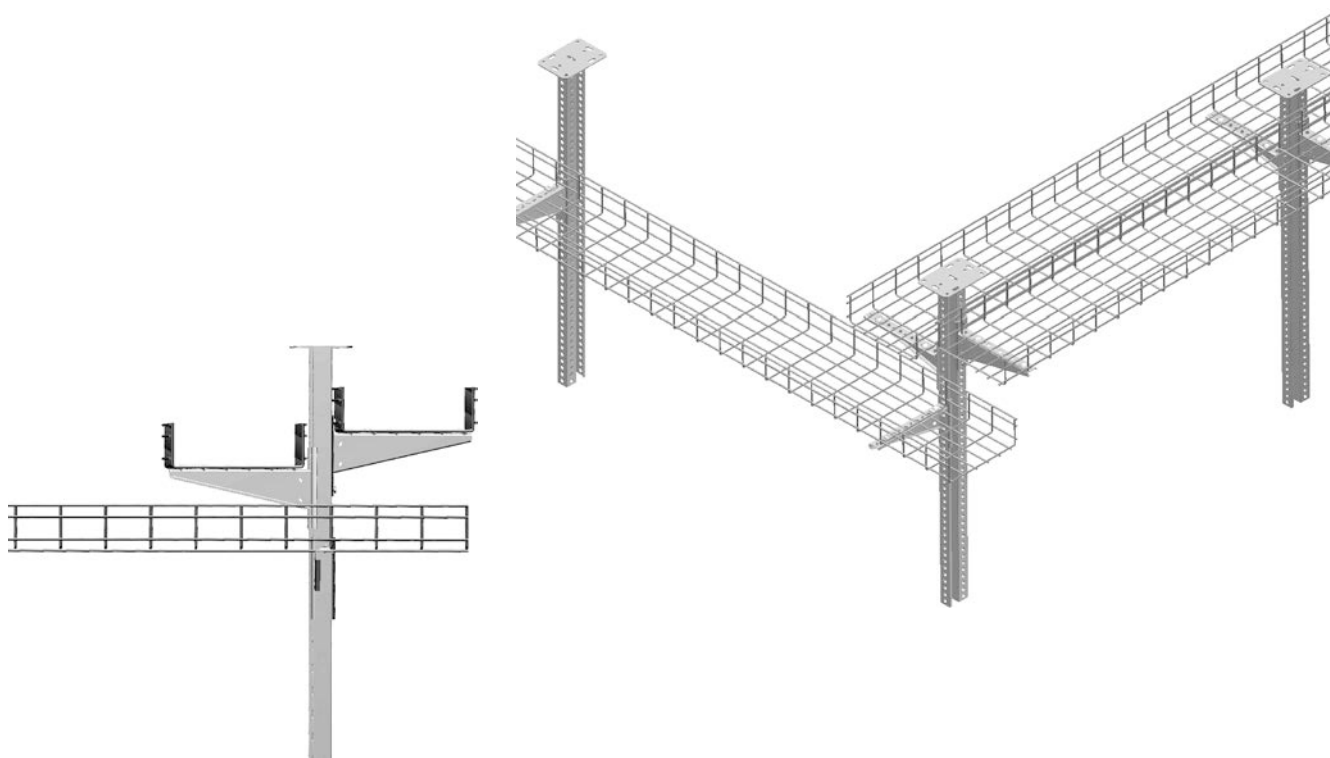
Cable Basket Joint Fitting



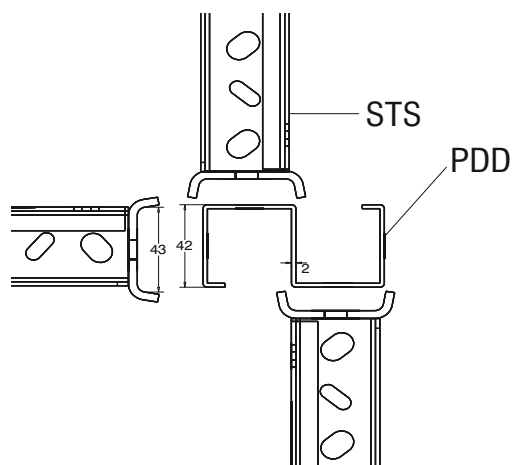
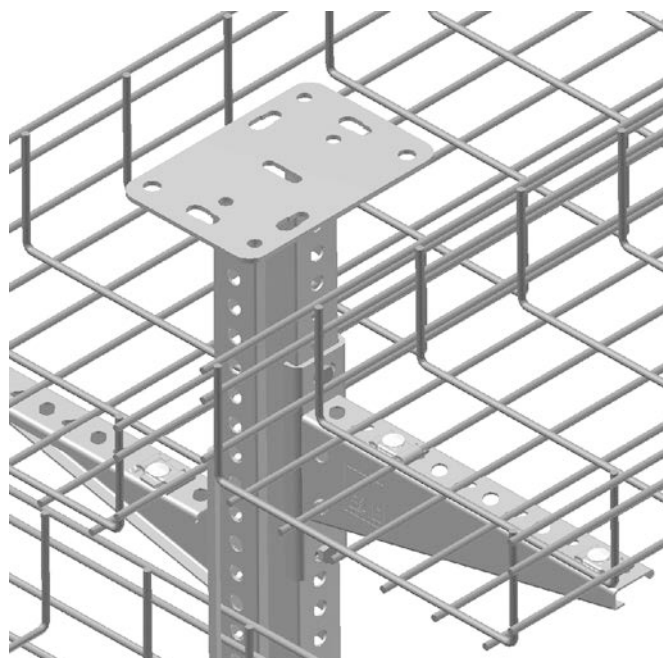
- Please state the order code when ordering.
- Standard Length 3000 mm.

- When special wire thickness are being used please contact our company.
- Material weights may vary by $\pm 10\%$

►► APPLICATION EXAMPLES



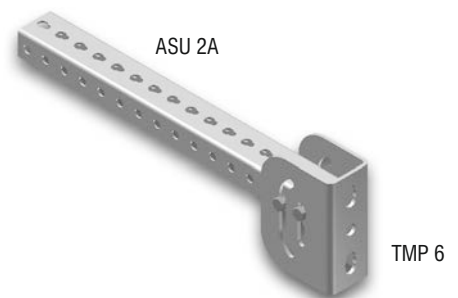
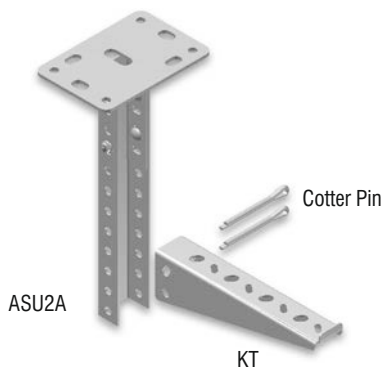
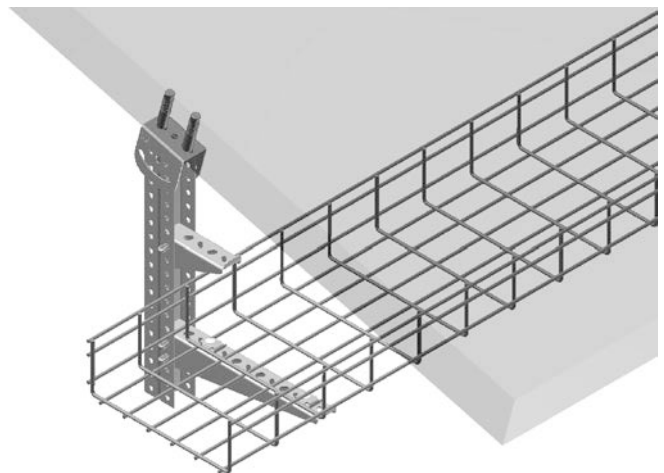
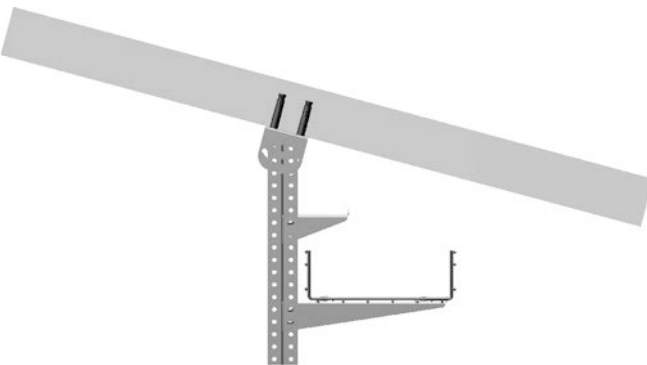
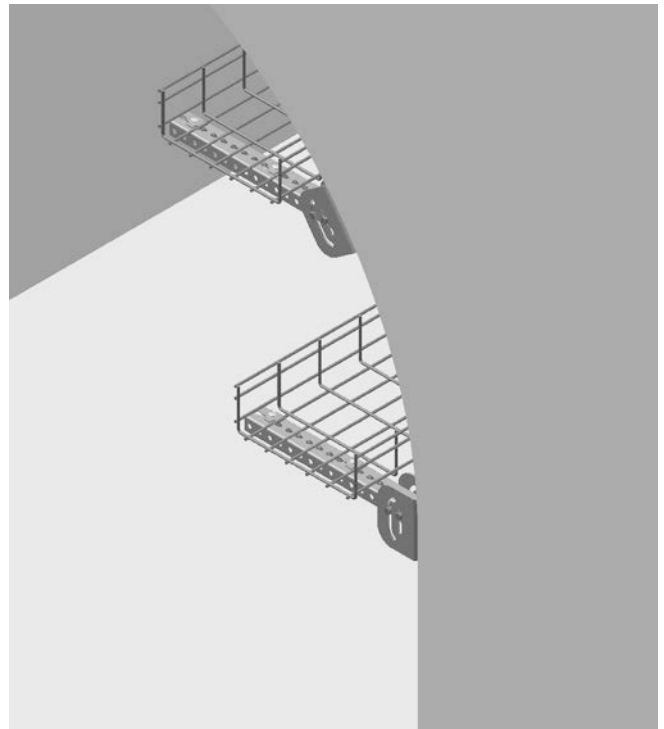
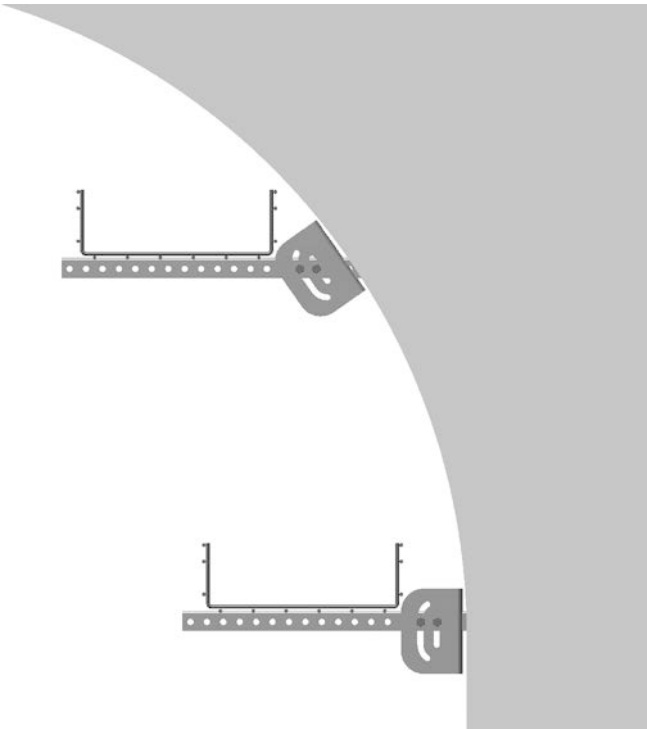
Cable Basket Joint Fitting



- Please state the order code when ordering.
- Standard Length 3000 mm.

- When special wire thickness are being used please contact our company.
- Material weights may vary by $\pm 10\%$

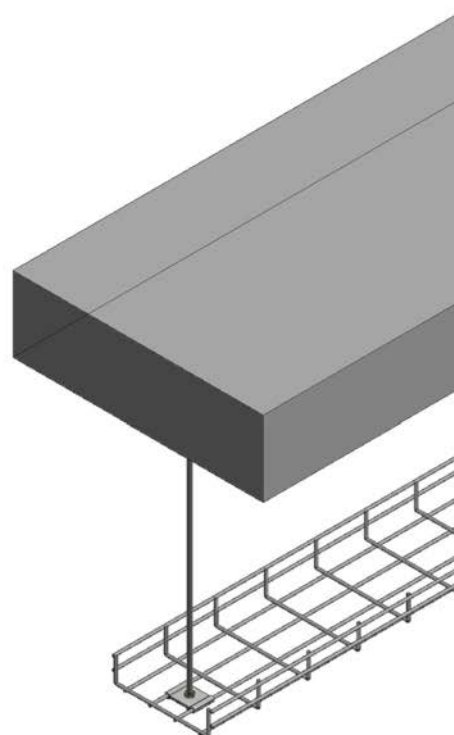
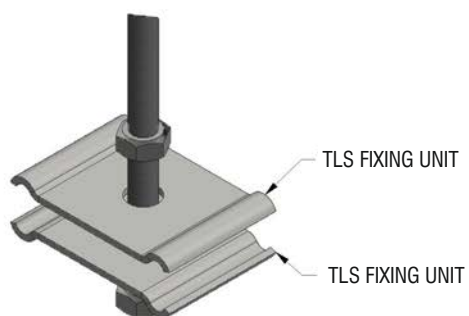
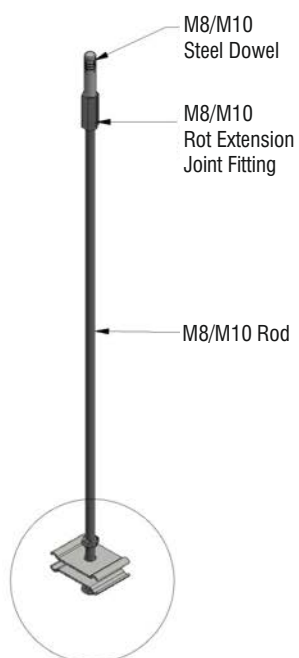
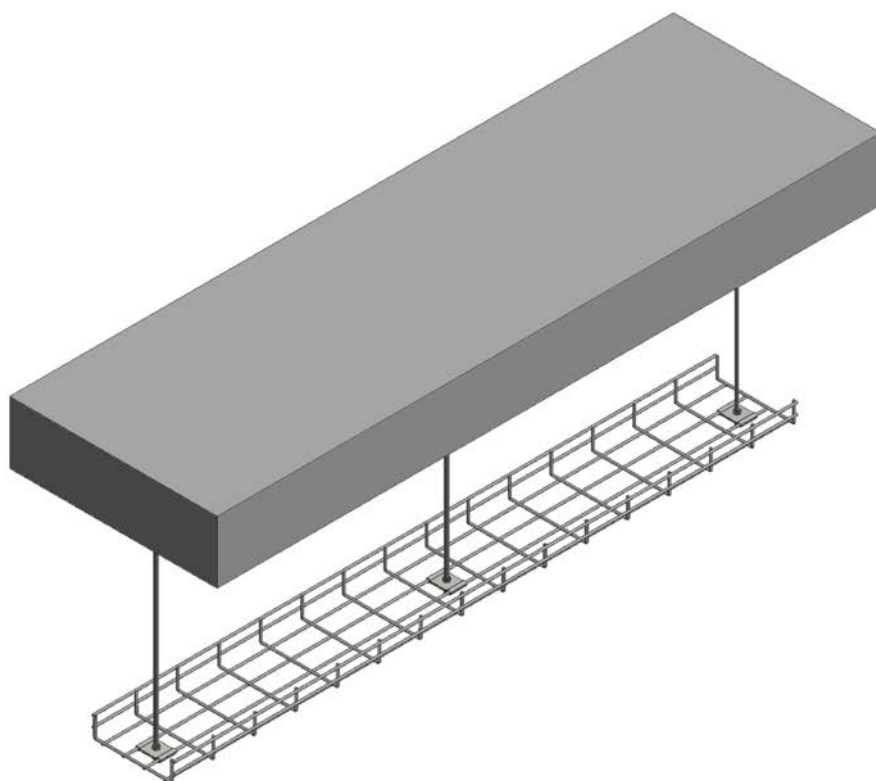
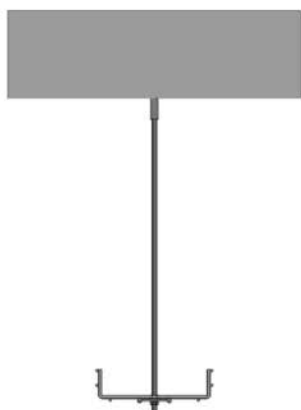
▶▶ APPLICATION EXAMPLES



- Please state the order code when ordering.
- Standard Length 3000 mm.

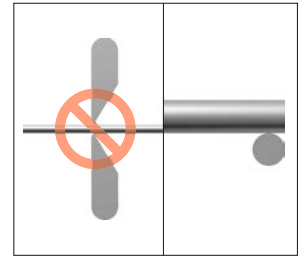
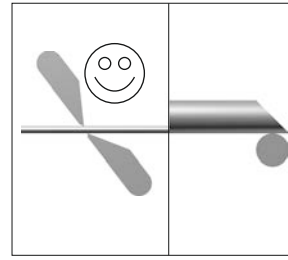
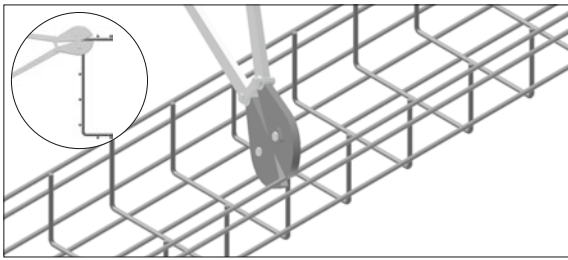
- When special wire thickness are being used please contact our company.
- Material weights may vary by $\pm 10\%$

▶▶ APPLICATION EXAMPLES



■ Please state the order code when ordering.
 ■ Standard Length 3000 mm.

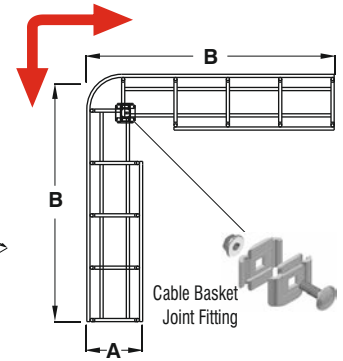
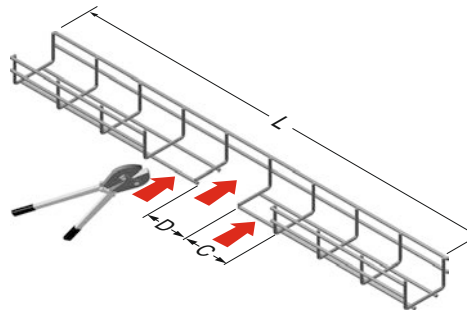
■ When special wire thickness are being used please contact our company.
 ■ Material weights may vary by $\pm 10\%$



►► YD ELBOW APPLICATION EXAMPLES

A (mm)	B (mm)	C (mm)	L (mm)	Cable Tray Joint Fitting
100	300	100	900	1
150	400	200	900	1

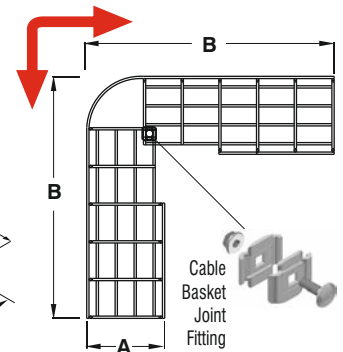
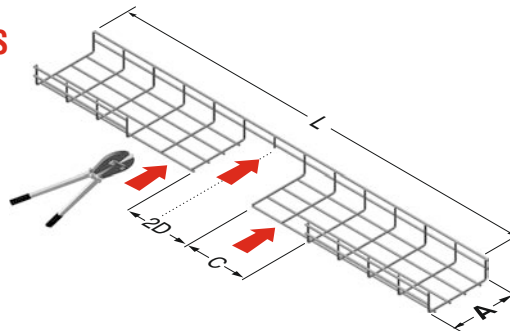
■ For 100-150 baskets, the middle section should be cut as one (D) piece.



►► YD ELBOW APPLICATION EXAMPLES

A (mm)	B (mm)	C (mm)	L (mm)	Cable Tray Joint Fitting
200	500	200	1000	2
250	500	200	1000	2
300	600	300	1200	2
400	700	400	1400	4
500	800	500	1600	4
600	900	600	1800	6

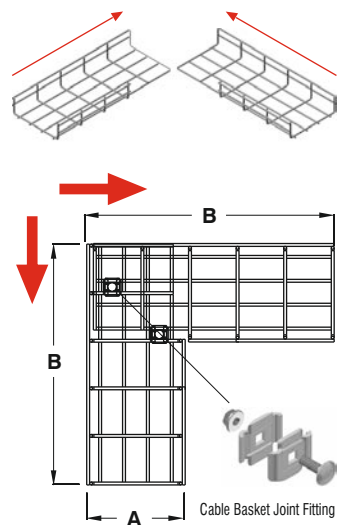
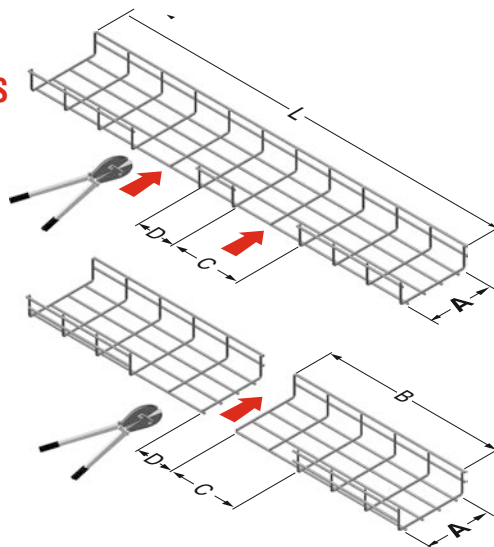
■ For 200-600 baskets, the middle section should be cut into 2(2D) pieces.



►► YD ELBOW APPLICATION EXAMPLES

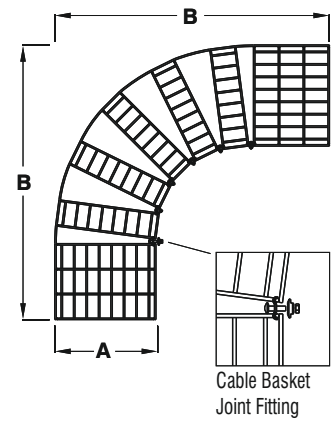
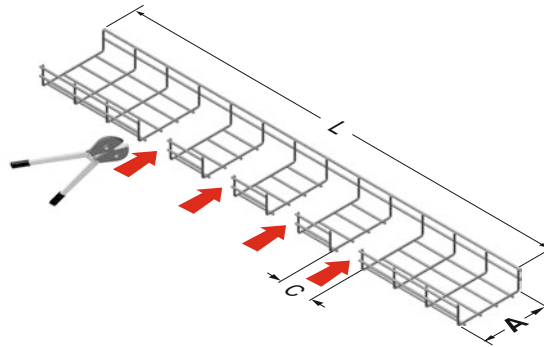
A (mm)	B (mm)	C (mm)	L (mm)	Cable Tray Joint Fitting
100	300	100	700	1
150	400	200	900	1
200	500	200	1100	2
250	500	200	1100	2
300	600	300	1300	2
400	700	400	1500	4
500	800	500	1700	4
600	900	600	1900	6

■ For 100-600 baskets, the middle section should be cut as one (D) piece.



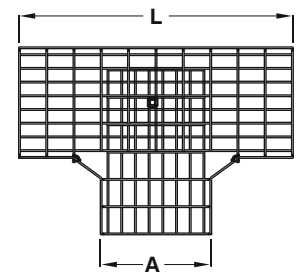
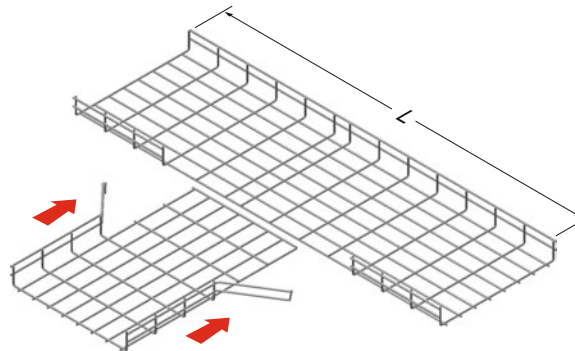
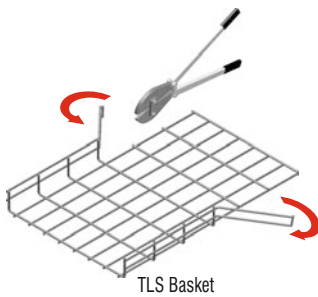
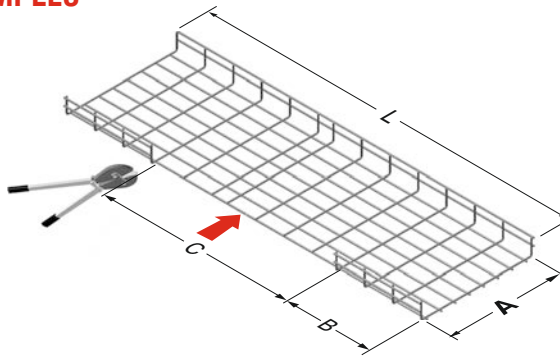
►► YD ELBOW APPLICATION EXAMPLES

A (mm)	B (mm)	C (mm)	L (mm)	Cable Tray Joint Fitting
100	520	3	900	1
150	620	4	1100	1
200	660	4	1100	2
250	910	6	1520	2
300	910	6	1520	4
400	1140	8	1900	6
500	1400	9	2100	9
600	1520	11	2500	9

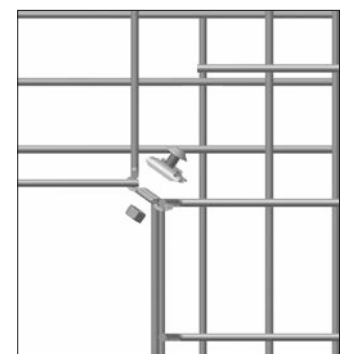
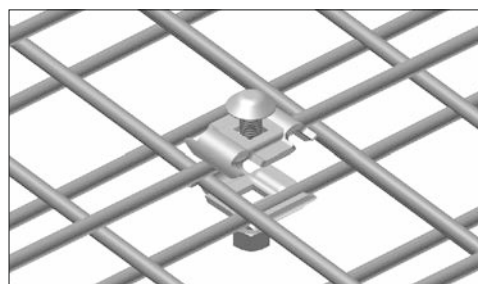


►► "T" ELBOW APPLICATION EXAMPLES

A (mm)	B (mm)	C (mm)	L (mm)	Cable Tray Joint Fitting
100	300	300	800	3
150	300	350	900	3
200	300	400	1000	3
250	300	400	1000	3
300	300	500	1100	4
400	300	600	1200	4
500	300	700	1300	6
600	300	800	1400	6



Cable Basket Joint Fitting





ELEKTRİK

▶▶ PROJECT DESIGN FORM

Component List	Item	Component	Quantity		
<div data-bbox="1388 2011 1449 2069" style="float: right;">EAE</div>				Company : Project : Project No :	Prepared by : Name : Date : Signature:

Please duplicate this page for your own use.