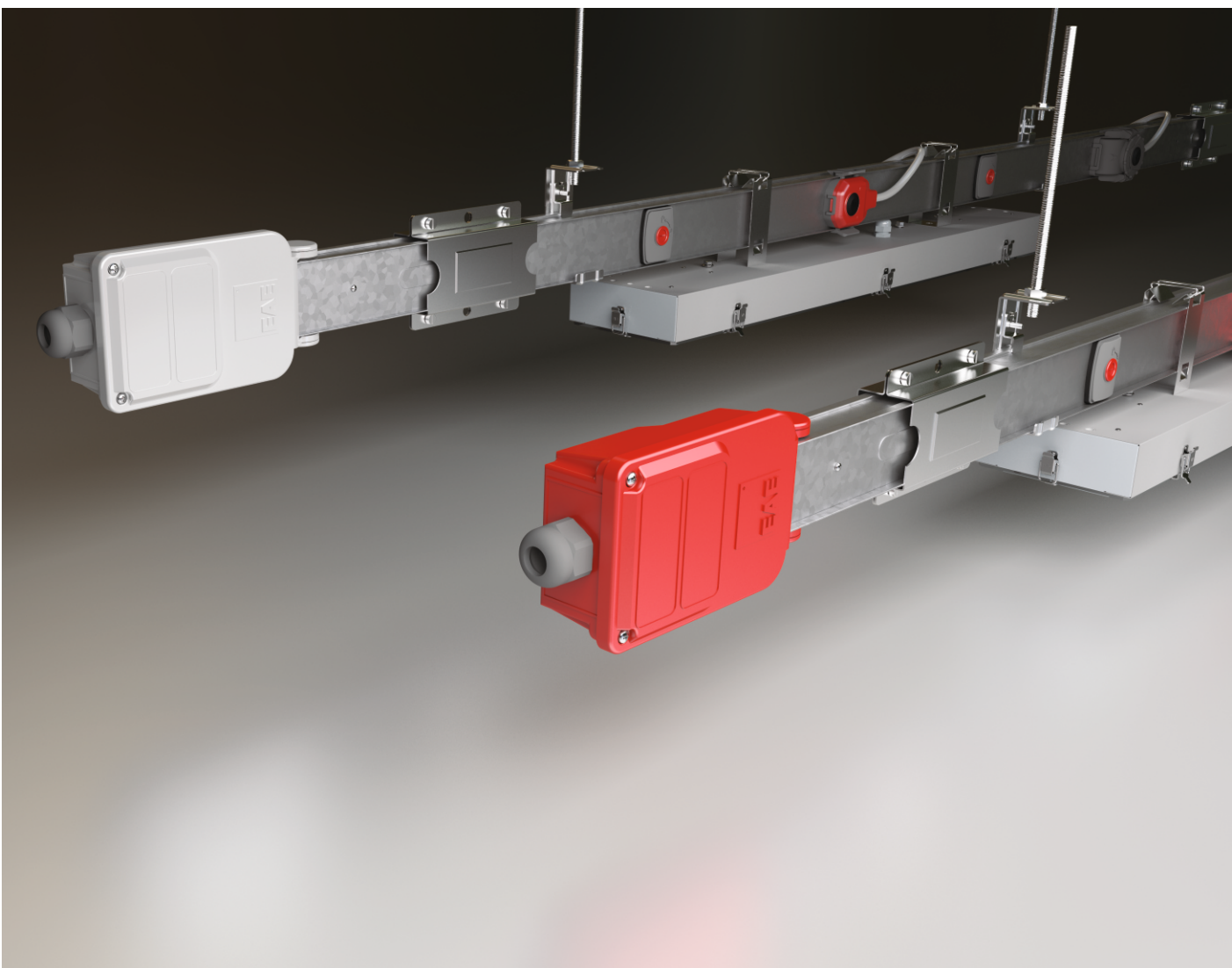




E-LINEKAM/KAP

KAM 25-32 A Lighting Busbar System
KAP 40-63 A Plug-in Busbar Distribution System



E-LINEKAM/KAP



CONTENTS



▶▶ E-LINE KAM/KAP

General Description.....	2-3
Order Code System.....	4
Technical Characteristics.....	5
KAM Standard Busbars.....	6
KAM Standard Elements.....	7
KAM Tap Off Plugs.....	8
KAP Standard Busbars.....	9
KAP Standard Elements.....	10
KAP Tap Off Plugs.....	11
Hanger accessories for Busbar and Lighting Luminaries.....	12
Fixing and IP Accessories.....	13-15
Certificates.....	16
Declaration.....	17
Product Overview.....	18
Project Design Form.....	19-20

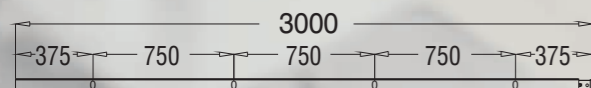
►► General Description

KAM and KAP Busbar Systems

KAM and KAP are busbar trunking systems, for lighting (KAM) and small Power (KAP), designed and certified in full compliance with international standards IEC 61439-1/6. Both systems have been tested and certified at the CESI Institute in accordance with the full type test cycle stated in the relevant IEC codes.

General Characteristics

The housing is manufactured using pregalvanised sheet steel metal which provides a substantial earth path. The housing gives the line a very high mechanical strength, particularly suitable for industrial applications and applications in severe climatic conditions. The conductors are in electrolytic copper, tin plated and insulated along their full length (except at tap off positions) with a self extinguishing plastic sleeve. 2 and 4 conductor versions are standard, with 3 or 5 conductor versions supplied upon request. Each 3 m standard straight length is provided with 4 tap off points at 75 cm distance on one side of the trunking.



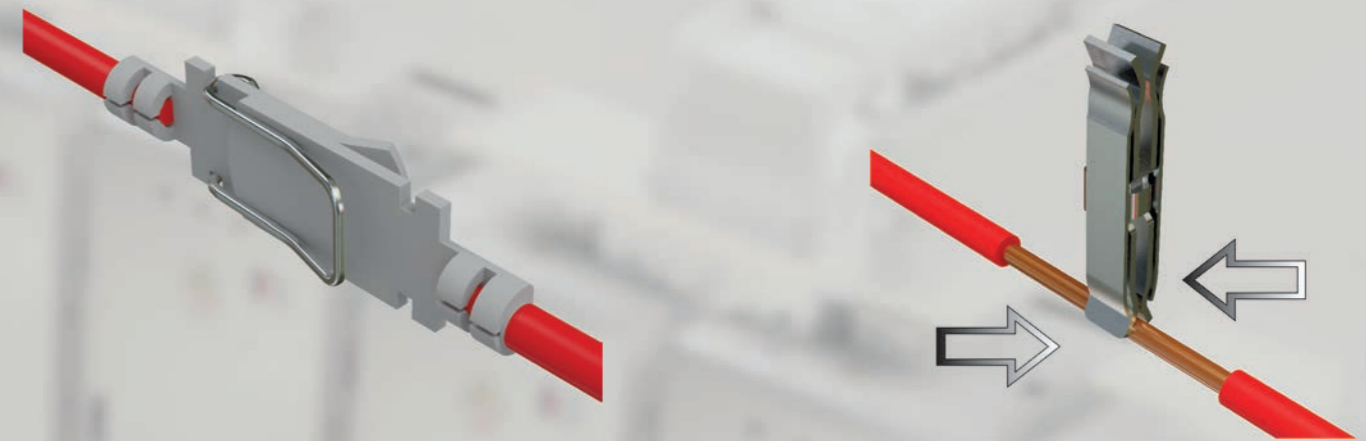
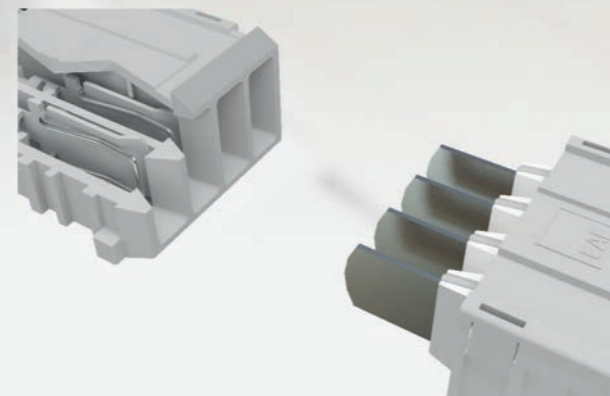
Feed Units

Feed units are available for installing at either end of the system or as a centre feed unit.

The feed units are IP55 as standard, and will accept supply cables up to $\varnothing 16\text{mm}$. The feed units are supplied complete with end closure and joint cover.

Joint

The joint is a fast locking type with a single screw. The joint contacts are silver plated and highly oversized in comparison with the nominal current to withstand in total safety possible short term current peaks. The joint is further reinforced with tightening springs which ensure the correct contact pressure between the conductors. The joint provides continuity of the housing when used as the earth conductor.



Tap Off Plugs

Tap off plugs are available in ratings from 10A to 32A. The plugs are manufactured in a self extinguishing material. The contacts for the phase and neutral conductors are silver plated copper to provide the best conductivity and resistance to corrosion. The tap off plugs for the KAM and KAP busbar systems have different plug-in configurations and are not interchangeable. All plugs are equipped with a separate earth contact which is the first to make and the last to break. The plugs have been tested at CESI Laboratories for 50 connection disconnection duty cycles. The tap off plugs when plugged into the system provides both a good contact with the main conductors and a secure fixing of the plug on the housing.

10A Tap Off Plugs (Only for KAM)

KAM 10B are single phase plugs, with fixed phase, without fuses, prewired with cable, cross section $3 \times 1.5 \text{ mm}^2$ and length 1m. They can be supplied with different length cable on request.

16A Tap Off Plugs

KAM 16 K and KAP 16 K are single phase plugs with fixed phase, available with or without fuse holders. A three phase version is also available, and can be used as a phase selectable unit for single phase operations. They can be wired with cables up to a maximum of $\varnothing 11 \text{ mm}$.

32A Tap Off Box (Only For KAP)

KAP 32 is a three-phase tap off box, available with fuse holder or with DIN rail to accept standard modular MCB's.

►► Order Code System

- BUSBAR TYPE
- BUSBAR CODE
- PROTECTION DEGREE
- CONDUCTOR CONFIGURATION
- UNPAINTED / PAINTED
- COMPONENT

KAM 02 0 5 - B - S T D

Busbar Type

	Busbar Rated Current	Busbar Code
KAM	25A	02
	32A	03
KAP	40A	04
	63A	06

Busbar Code

Components

Standard Length	STD
Special Length	X
Flexible Elbow	FD
Feed Box	BB
End Feed Box	BS
Central Feed Box	BO

IP 55

0

Protection Degree

UNPAINTED -
PAINTED B

Conductor Configuration

Number of Conductors	Code	Configuration
2 wire	2	L2, N, PE(Housing)
3 wire	3	L2, N, PE+Housing
4 wire	4	L1, L2, L3, N, PE(Housing)
5 wire	5	L1, L2, L3, N, PE+Housing

Rated Current	I _n	A	25	32	40	63
Busbar Code			KAM 02	KAM 03	KAP 04	KAP 06
Main Standards	IEC 61439-1/6, TS EN 61439-1/6					
Rated Isolation Voltage	U _i	V	500	500	690	690
Rated Frequency	f	Hz	50	50	50	50
Protection Degree	IP55					
Rated Short-time Withstand Current (0,1s)	I _{cw}	kA _(rms)	2,27	2,72	3,4	4
Rated Peak Withstand Current	I _{pk}	kA	5	6	7,5	9
MEAN PHASE CONDUCTOR CHARACTERISTICS AT RATED CURRENT I_n						
Resistance at a conductor temperature of 20 °C	R ₂₀	mΩ/m	5,598	4,509	2,963	1,557
Resistance at an ambient air temperature of 35 °C	R	mΩ/m	6,612	5,444	3,518	1,914
Reactance (Independent from Temperature)	X	mΩ/m	0,488	0,377	0,229	0,155
Positive and negative sequence impedances at an ambient air temperature of 35 °C	Z	mΩ/m	6,630	5,458	3,525	1,920
Positive and negative sequence impedances at a conductor temperature of 20 °C	Z ₂₀	mΩ/m	5,619	4,524	2,972	1,565
Rated Power Loss at 35 °C		W/m	12,7	16,5	18,2	22,1
DC Resistance at a conductor temperature of 20 °C for Phases	R _{ortPh}	mΩ/m	5,534	4,333	2,871	1,462
DC Resistance at a conductor temperature of 20 °C for Neutral	R _N	mΩ/m	5,466	4,368	2,876	1,457
DC Resistance at a conductor temperature of 20 °C for PE	R _{PE}	mΩ/m	2,519	1,711	1,154	1,150
SECTIONS						
L1,L2,L3,N		mm ²	3,14	3,98	6,16	12,57
PE (5 Conductors)		mm ²	3,14	3,98	6,16	12,57
PE (Sheet Metal)		mm ²	96	96	96	96
PE (Cu Equivalent)		mm ²	9	9	9	9
Busbar Weight (4 Conductors)		kg/m	1,13	1,17	1,33	1,42
Busbar Weight (5 Conductors)		kg/m	1,17	1,19	1,41	1,48
MEAN FAULT-LOOP CHARACTERISTICS						
Zero-sequence Impedance						
Zero-sequence impedance at a conductor temperature of 20 °C	Z(0)b20phN	mΩ/m	22,53	18,40	12,13	6,06
Zero-sequence impedance at a conductor temperature of 20 °C (Housing)	Z(0)b20phPE	mΩ/m	12,30	10,32	7,09	5,62
Zero-sequence impedance at an ambient temperature of 35 °C	Z(0)bphN	mΩ/m	26,58	22,22	14,40	7,43
Zero-sequence impedance at an ambient temperature of 35 °C (Housing)	Z(0)bphPE	mΩ/m	14,50	12,44	8,39	6,87
Resistances and Reactances						
Resistance at a conductor temperature of 20 °C	Rb20phph	mΩ/m	10,92	8,82	5,89	2,98
Resistance at a conductor temperature of 20 °C	Rb20phN	mΩ/m	10,97	8,84	5,92	2,99
Resistance at a conductor temperature of 20 °C (Housing)	Rb20phPE	mΩ/m	7,60	6,18	4,21	2,81
Resistance at an ambient air temperature of 35 °C	Rbphph	mΩ/m	12,90	10,65	7,00	3,67
Resistance at an ambient air temperature of 35 °C	RbphN	mΩ/m	12,95	10,67	7,03	3,68
Resistance at an ambient air temperature of 35 °C (Housing)	RbphPE	mΩ/m	8,98	7,46	4,99	3,45
Reactance (Independent from temperature)	Xbphph	mΩ/m	0,61	0,11	0,25	0,21
Reactance (Independent from temperature)	XbphN	mΩ/m	0,63	0,37	0,10	0,24
Reactance (Independent from temperature)	XbphPE	mΩ/m	0,28	0,27	0,17	0,27

The maximum permitted load for the support of light fittings of the system is 15 kg. concentrated or 20 kg. distributed for a recommended support span of every 2 metres without any deformation of the housing.

Voltage Drop Calculation

Generally Voltage drop of a busbar system can be calculated with the following formula.

For single phase;

$$\Delta U = I \cdot 2L (R \cdot \cos \varphi + X \cdot \sin \varphi) \cdot 10^{-3} \text{ [V]}$$

$$\Delta U = \text{Voltage Drop [V]}$$

$$I = \text{Rated Current [A]}$$

$$L = \text{Length of Line [mt]}$$

$$R = \text{Resistance [mΩ/m]}$$

$$X = \text{Reactance [mΩ/m]}$$

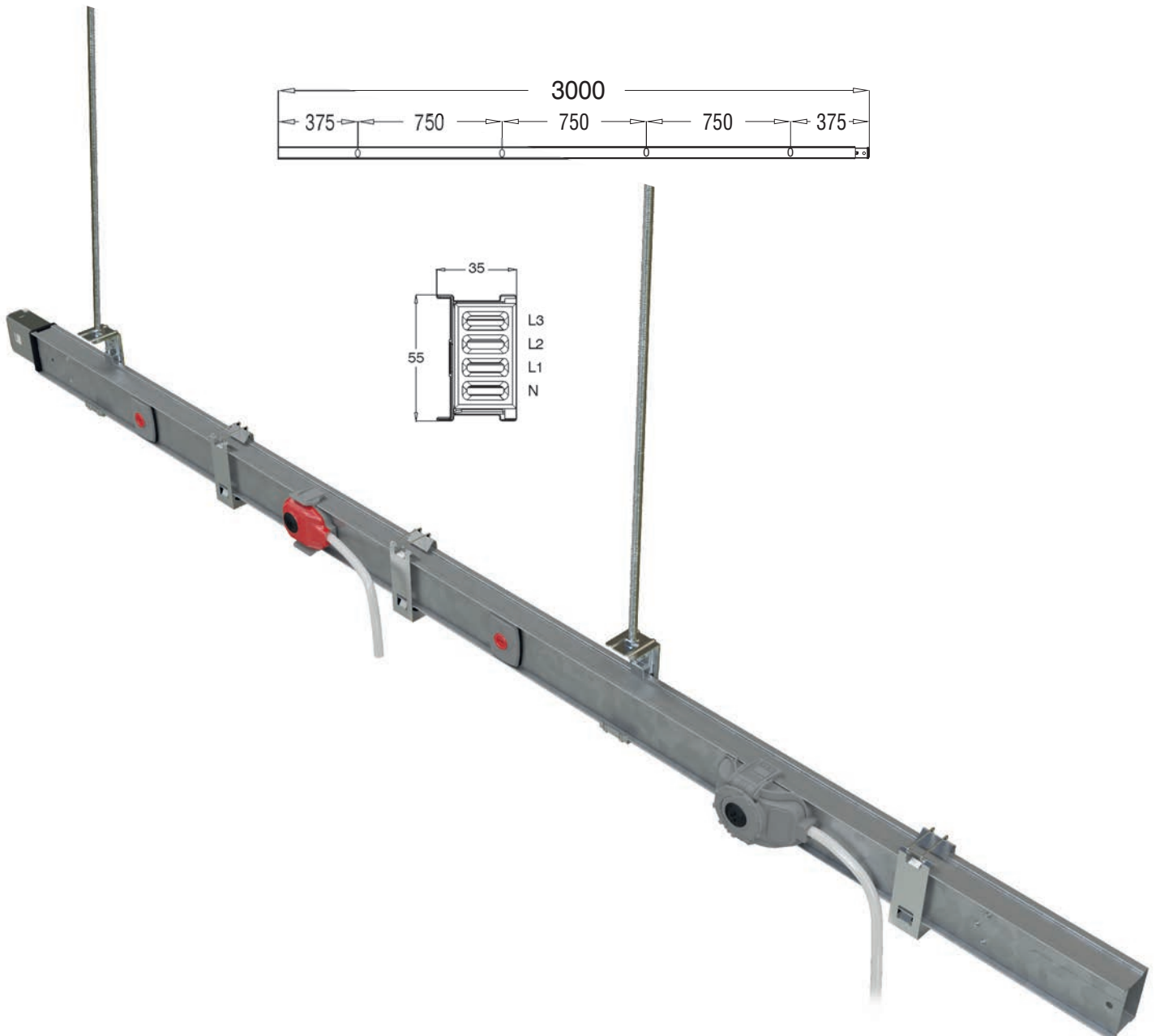
For three phase ;

$$\Delta U = \sqrt{3} \cdot I \cdot L (R \cdot \cos \varphi + X \cdot \sin \varphi) \cdot 10^{-3} \text{ [V]}$$

Standard Busbars

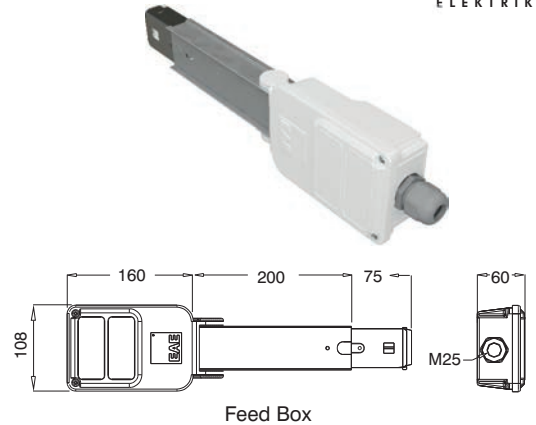
Current (A)	Description	Conductors	Phase	Unpainted Order Code	Painted Order Code
25	KAM 0205 Standard Busbar	5	L1, L2, L3, N, (PE+Housing)	3025050	3025051
	KAM 0204 Standard Busbar	4	L1, L2, L3, N, (+Housing)	3025046	3025047
	KAM 0203 Standard Busbar	3	L2, N, (PE+Housing)	3025029	3025030
	KAM 0202 Standard Busbar	2	L2, N, (+Housing)	3025027	3025028
32	KAM 0305 Standard Busbar	5	L1, L2, L3, N, (PE+Housing)	3025058	3025059
	KAM 0304 Standard Busbar	4	L1, L2, L3, N, (+Housing)	3025054	3025055
	KAM 0303 Standard Busbar	3	L2, N, (PE+Housing)	3025033	3025034
	KAM 0302 Standard Busbar	2	L2, N, (+Housing)	3025031	3025032

*Special straight length busbars are manufactured as standard as 1 m., 1,5 m. and 2 m.



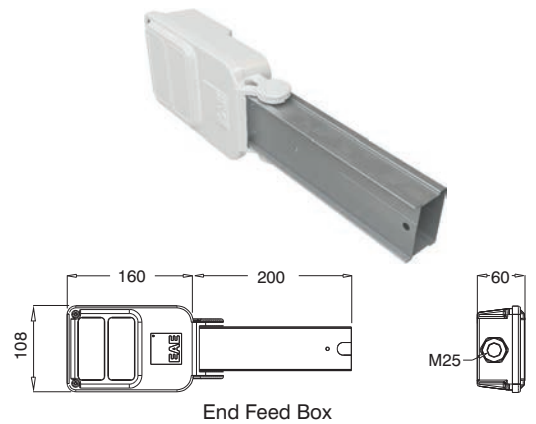
Feed Box*

Current (A)	Description	Busbars	Unpainted Order Code	Painted Order Code
25	KAM 0205 BB Feed Box	KAM 0205 KAM 0204 KAM 0203 KAM 0202	3025062	3025063
32	KAM 0305 BB Feed Box	KAM 0305 KAM 0304 KAM 0303 KAM 0302	3025064	3025065



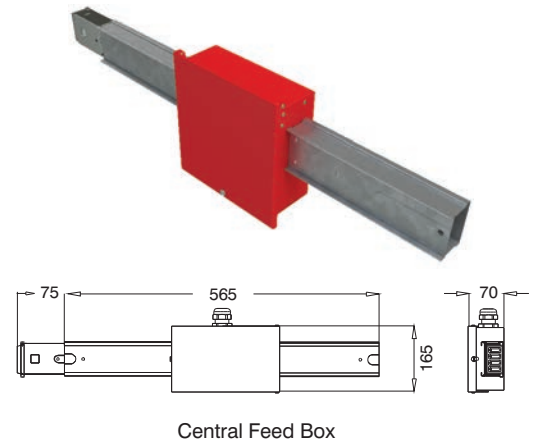
End Feed Box*

Current (A)	Description	Busbars	Unpainted Order Code	Painted Order Code
25	KAM 0205 BS End Feed Box	KAM 0205 KAM 0204 KAM 0203 KAM 0202	3025066	3025067
32	KAM 0305 BS End Feed Box	KAM 0305 KAM 0304 KAM 0303 KAM 0302	3025068	3025069



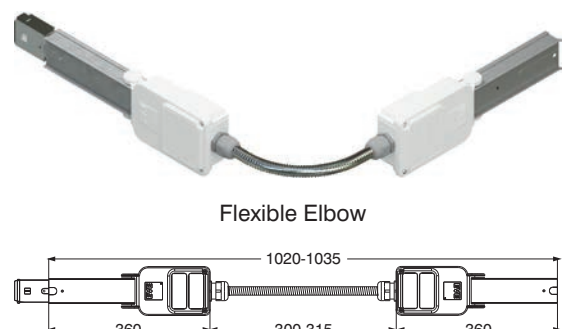
Central Feed Box*

Current (A)	Description	Busbars	Unpainted Order Code	Painted Order Code
25	KAM 0205 BO Central Feed Box	KAM 0205 KAM 0204 KAM 0203 KAM 0202	3025070	3025071
32	KAM 0305 BO Central Feed Box	KAM 0305 KAM 0304 KAM 0303 KAM 0302	3025072	3025073



Flexible Elbow

Current (A)	Description	Busbars	Unpainted Order Code	Painted Order Code
25	KAM 0205-FD Flexible Elbow	KAM 0205 KAM 0204 KAM 0203 KAM 0202	3024417	3024418
32	KAM 0305-FD Flexible Elbow	KAM 0305 KAM 0304 KAM 0303 KAM 0302	3024415	3024416



* With PE Conductor and M25 Gland as standard.
End Closer is supplied together with the feed unit.

Tap-off Plug (B)

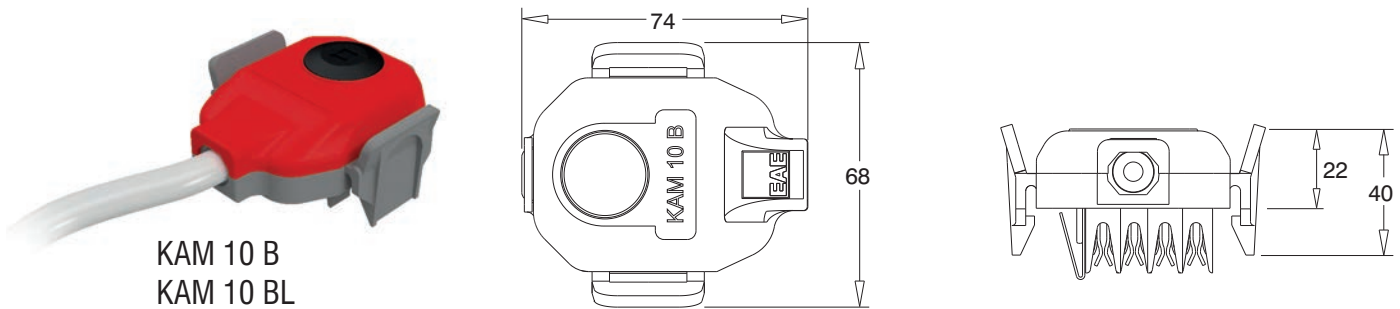
Current (A)	Description	Cable Length / Type		Phase	Properties	Order Code	
		Halogen Free	Standard (PVC)			Halogen Free	Standard (PVC)
10	KAM 10 - B Tap-off Plug L1	0,75 m.	0,75 m.	L1, N, PE	With Black Cover	3024549	3086986
	KAM 10 - B Tap-off Plug L2	052XZ1-F 3x1,5 mm ²	NYMHY 3x1,5 mm ²	L2, N, PE	With Yellow Cover	3024548	3086988
	KAM 10 - B Tap-off Plug L3	Cable(*)	Cable(*)	L3, N, PE	With Blue Cover	3024547	3086990

Tap-off Plug (BL)**

Current (A)	Description	Cable Length / Type	Phase	Properties	Order Code
					Halogen Free
10	KAM 10 - B Tap-off Plug L1	0,75 m.	L1, N, PE	With Black Cover	3134596
	KAM 10 - B Tap-off Plug L2	052XZ1-F 3x0,75 mm ²	L2, N, PE	With Yellow Cover	3134597
	KAM 10 - B Tap-off Plug L3	Cable(*)	L3, N, PE	With Blue Cover	3134598

* Plugs with different length cable available upon request.

** It is used only for lighting fittings supply in lighting circuits.

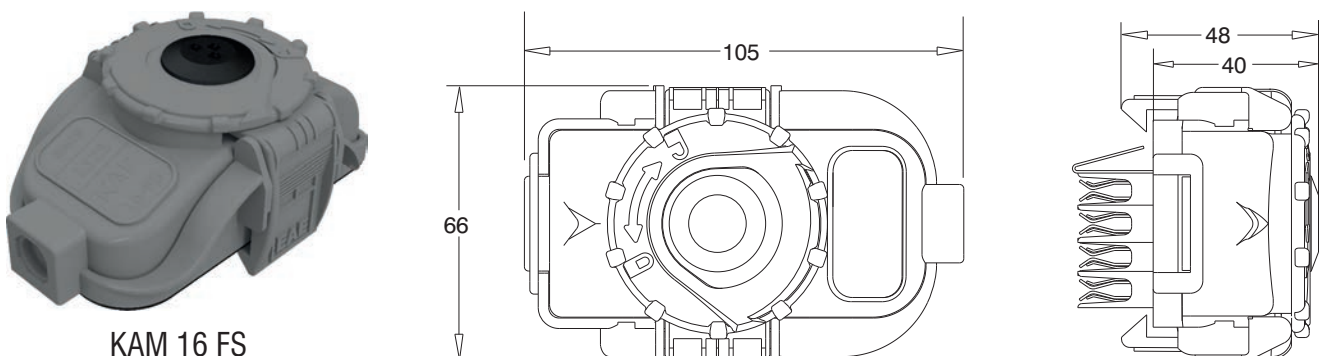


KAM 10 B
KAM 10 BL

Tap Off Plugs

Current (A)	Description	Cable Length	Phase	Properties	Order Code
16	KAM 16 - FS Tap Off Plug L1	-	L1, N, PE	With 5x20 cylindrical fuseholders. Max diameter of feeder cable is Ø 11mm.**	3024612
	KAM 16 - FS Tap Off Plug L2	-	L2, N, PE		3024611
	KAM 16 - FS Tap Off Plug L3	-	L3, N, PE		3024610
	KAM 16 - FS Tap Off Plug L123	-	L1, L2, L3, N, PE		3024609
16	KAM 16 - K Tap Off Plug L1	-	L1, N, PE	Without Fuses. Max diameter of feeder cable is Ø 11mm.	3024616
	KAM 16 - K Tap Off Plug L2	-	L2, N, PE		3024615
	KAM 16 - K Tap Off Plug L3	-	L3, N, PE		3024614
	KAM 16 - K Tap Off Plug L123	-	L1, L2, L3, N, PE		3024613

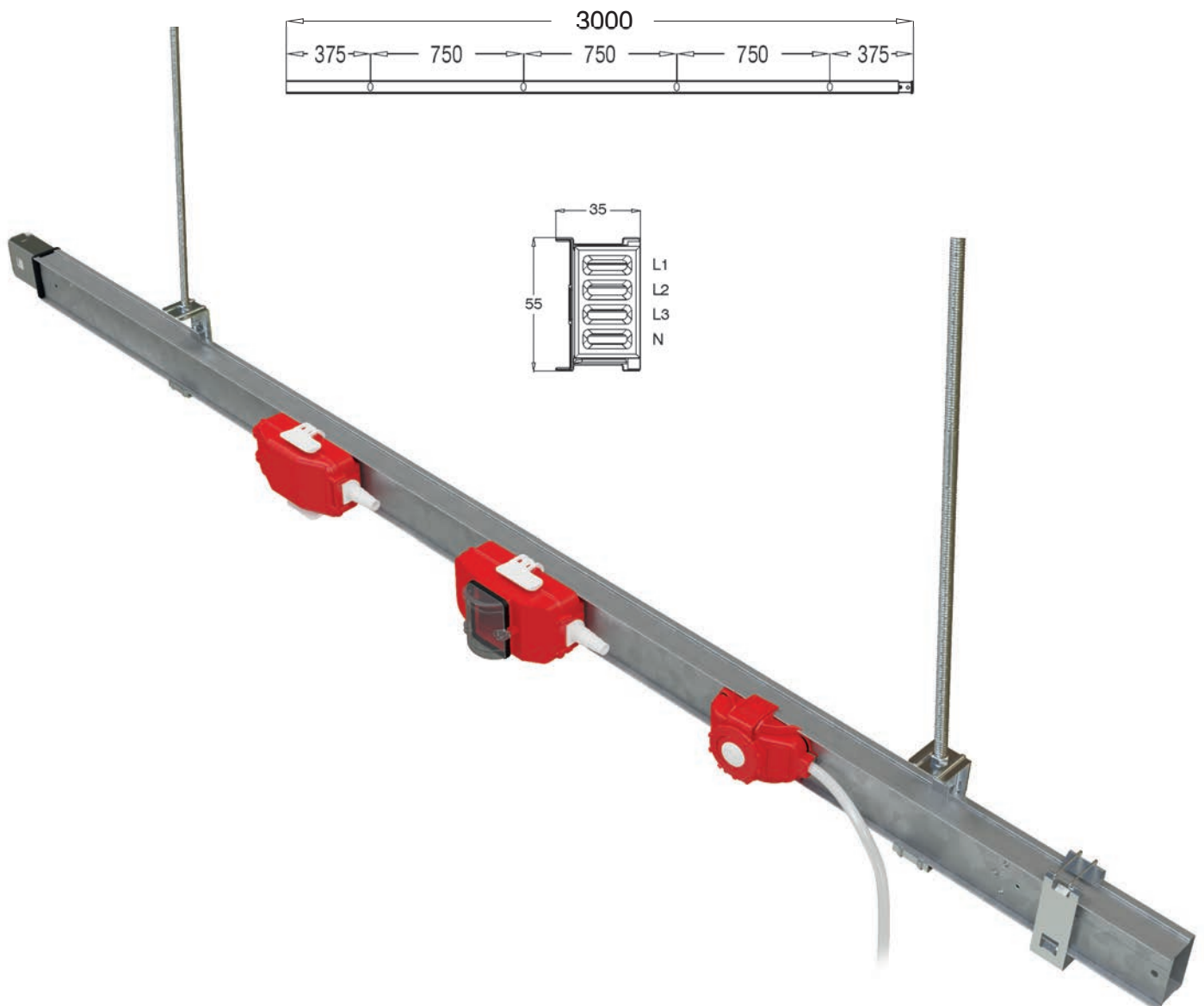
** The cylindrical fuse plug is not included.



KAM 16 FS
KAM 16 K

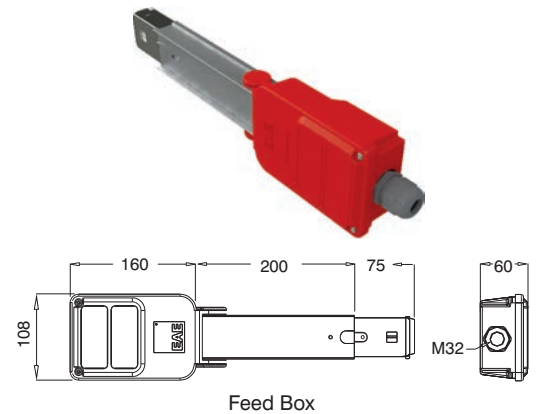
Standard Busbars

Current (A)	Description	Conductors	Phase	Unpainted Order Code	Painted Order Code
40	KAP 0405 Standard Busbar	5	L1, L2, L3, N, (PE+Housing)	3025076	3025077
	KAP 0404 Standard Busbar	4	L1, L2, L3, N, (+Housing)	3025074	3025075
	KAP 0403 Standard Busbar	3	L2, N, (PE+Housing)	3025086	3025087
	KAP 0402 Standard Busbar	2	L2, N, (+Housing)	3025088	3025089
63	KAP 0605 Standard Busbar	5	L1, L2, L3, N, (PE+Housing)	3025080	3025081
	KAP 0604 Standard Busbar	4	L1, L2, L3, N, (+Housing)	3025078	3025079
	KAP 0603 Standard Busbar	3	L2, N, (PE+Housing)	3025082	3025083
	KAP 0602 Standard Busbar	2	L2, N, (+Housing)	3025084	3025085



Feed Box*

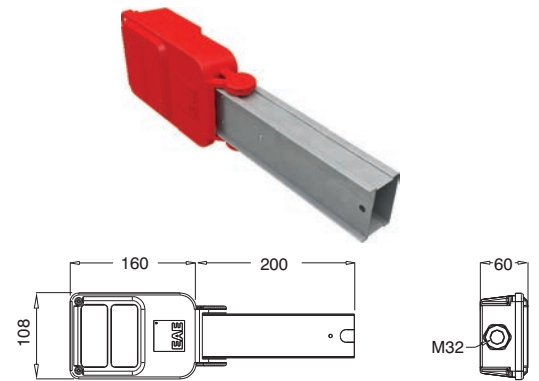
Current (A)	Description	Busbars	Unpainted Order Code	Painted Order Code
40	KAP 0405 BB Feed Box	KAP 0405 KAP 0404 KAP 0403 KAP 0402	3025098	3025099
63	KAP 0605 BB Feed Box	KAP 0605 KAP 0604 KAP 0603 KAP 0602	3025100	3025101



Feed Box

End Feed Box*

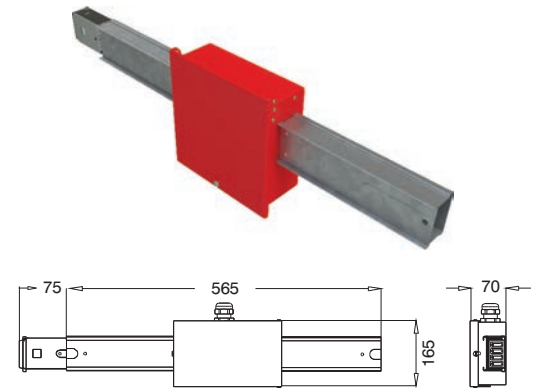
Current (A)	Description	Busbars	Unpainted Order Code	Painted Order Code
40	KAP 0405 BS End Feed Box	KAP 0405 KAP 0404 KAP 0403 KAP 0402	3025102	3025103
63	KAP 0605 BS End Feed Box	KAP 0605 KAP 0604 KAP 0603 KAP 0602	3025104	3025105



End Feed Box

Central Feed Box*

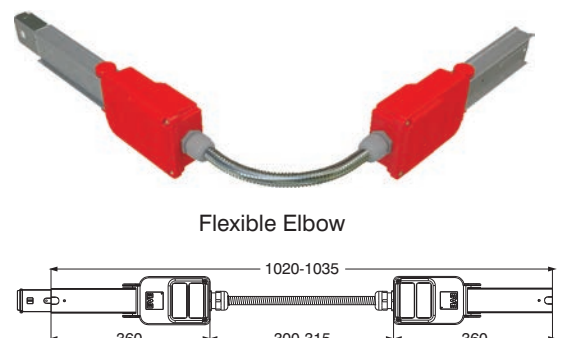
Current (A)	Description	Busbars	Unpainted Order Code	Painted Order Code
40	KAP 0405 BO Central Feed Box	KAP 0405 KAP 0404 KAP 0403 KAP 0402	3024960	3024961
63	KAP 0605 BO Central Feed Box	KAP 0605 KAP 0604 KAP 0603 KAP 0602	3024962	3024963



Central Feed Box

Flexible Elbow

Current (A)	Description	Busbars	Unpainted Order Code	Painted Order Code
40	KAP 0405-FD Flexible Elbow	KAP 0405 KAP 0404 KAP 0403 KAP 0402	3024413	3024414
63	KAP 0605-FD Flexible Elbow	KAP 0605 KAP 0604 KAP 0603 KAP 0602	3024411	3024412



Flexible Elbow

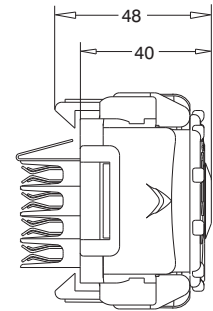
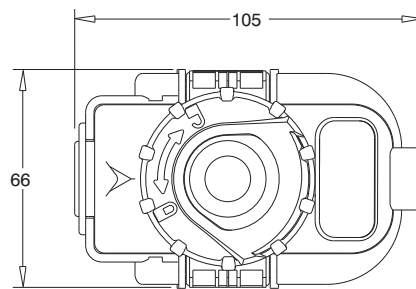
* With PE Conductor and Special EAE Gland M32 as standard.

Tap Off Plugs

Current (A)	Description	Phase	Properties	Order Code
16	KAP 16 - FS Tap Off Plug L1	L1, N, PE	5 x 20 Fuse holders. Max diameter of feeder cable is Ø 11 mm.	3024556
	KAP 16 - FS Tap Off Plug L2	L2, N, PE		3024555
	KAP 16 - FS Tap Off Plug L3	L3, N, PE		3024554
	KAP 16 - FS Tap Off Plug L123	L1, L2, L3, N, PE		3024557
16	KAP 16 - K Tap Off Plug L1	L1, N, PE	Without Fuses Max diameter of feeder cable is Ø 11 mm.	3024552
	KAP 16 - K Tap Off Plug L2	L2, N, PE		3024551
	KAP 16 - K Tap Off Plug L3	L3, N, PE		3024550
	KAP 16 - K Tap Off Plug L123	L1, L2, L3, N, PE		3024553



KAP 16 FS
KAP 16 K



Tap Off Plugs

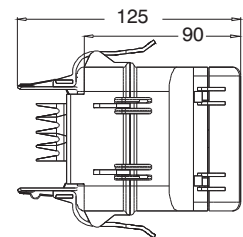
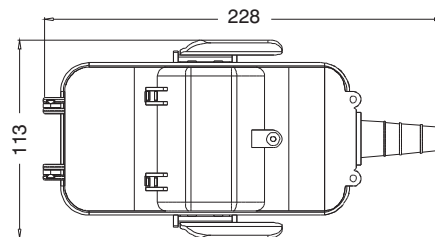
Current (A)	Description	Phase	Properties	Order Code
32	KAP 32-Empty Tap Off Box*	L1, L2, L3, N, PE	10 x 38 Fuse cylindrical holders Max diameter of feeder cable is Ø 20 mm.**	3025109
	KAP 32-Tap Off Box 10x38 fuse holders**	L1, L2, L3, N, PE		3025108

* Tap off box can be fitted with MCB's of different ratings and brands.

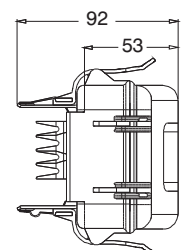
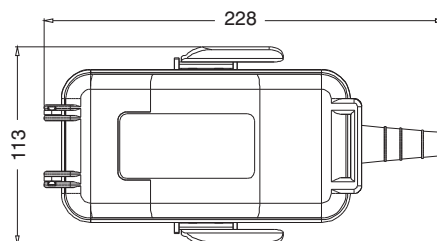
** The cylindrical fuse plug is not included.



KAP 32

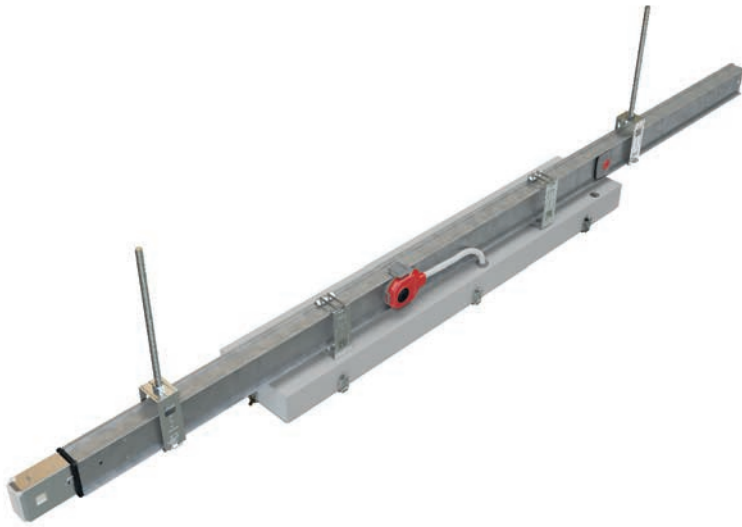


KAP 32 FS

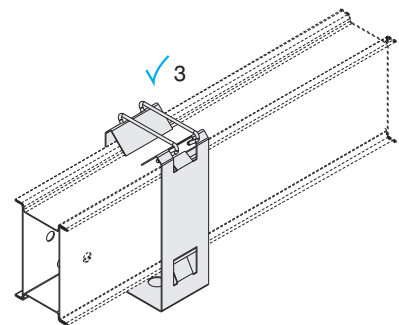
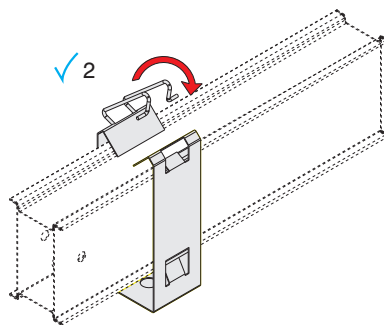
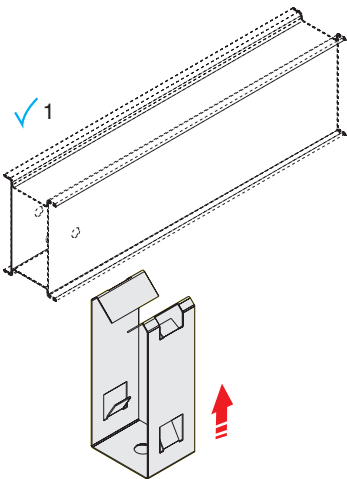
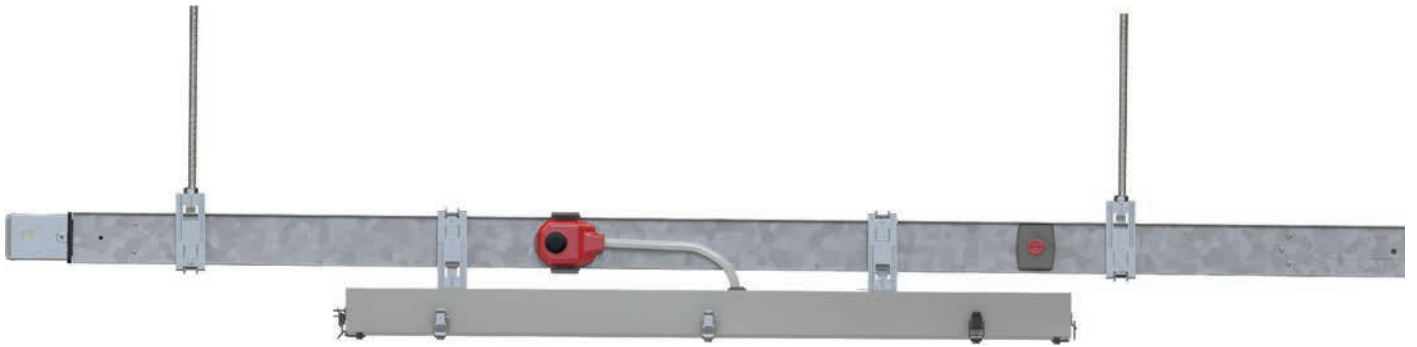
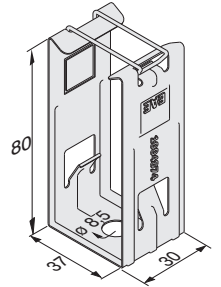


ELINEKAM/KAP

►► Hanger accessories for Busbar and Lighting Luminaries

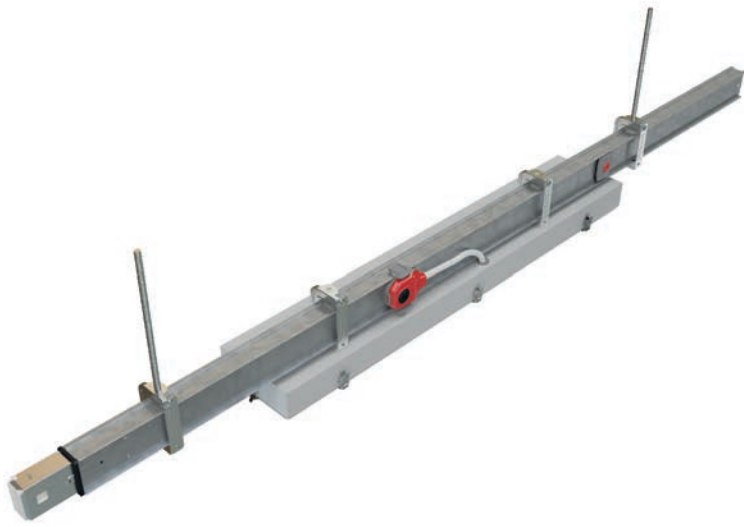


Description	Unpainted Order Code	Painted Order Code
U Type Fixing Unit	1004874	2037294

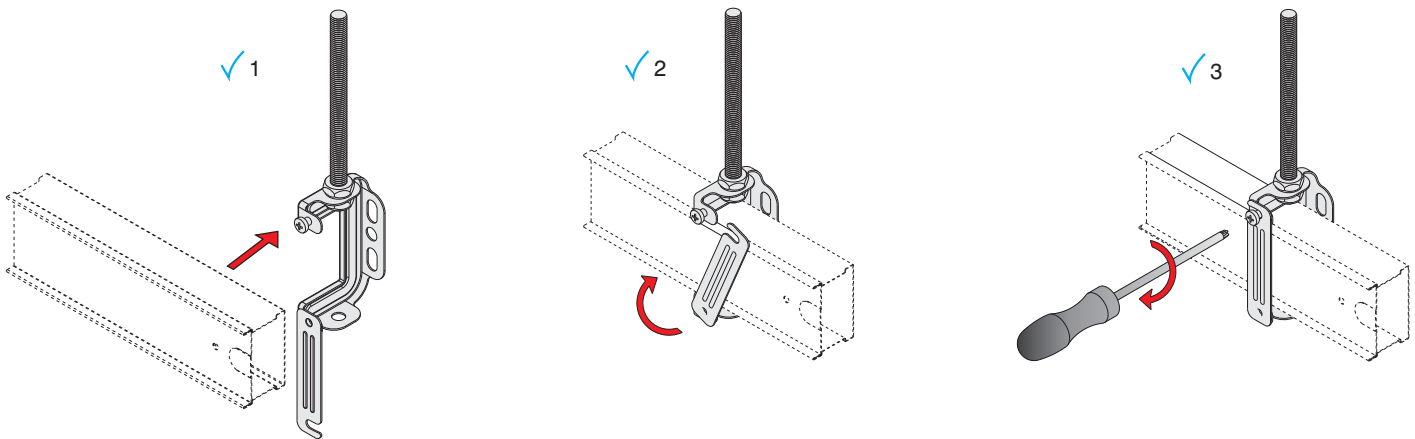
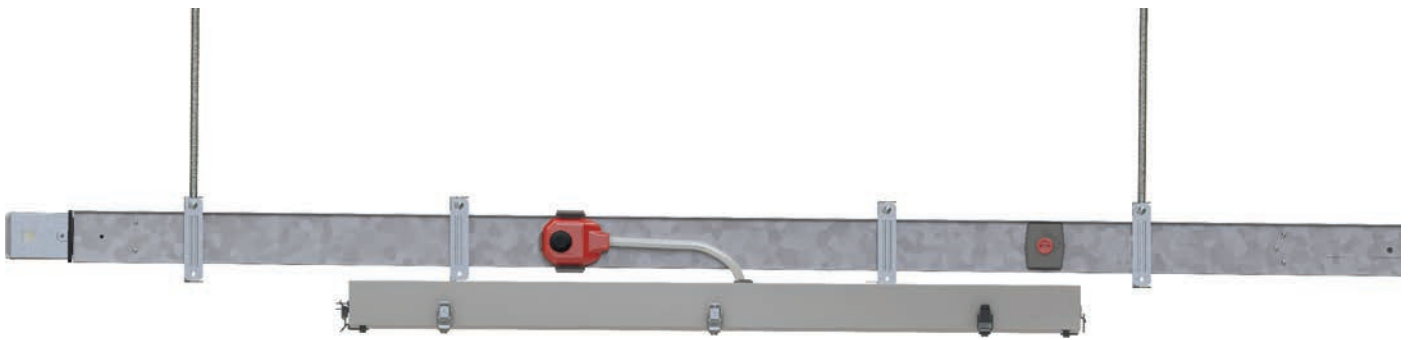
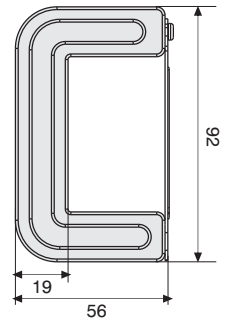


ELINEKAM/KAP

►► Hanger accessories for Busbar and Lighting Luminaries



Description	Unpainted Order Code	Painted Order Code
Kam/Kap Fixing Unit	1004190	2037293

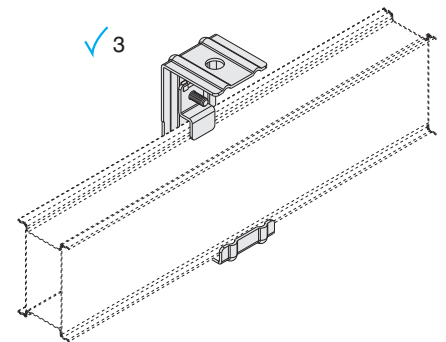
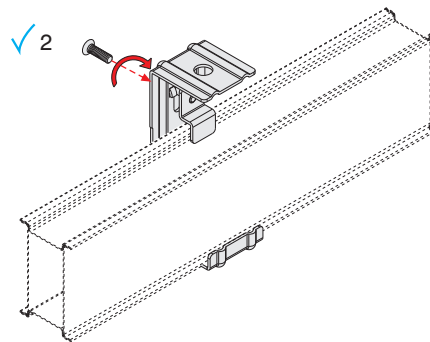
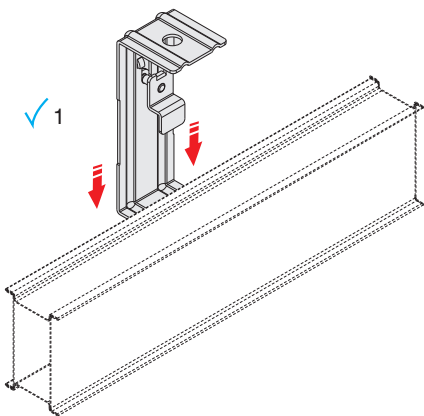
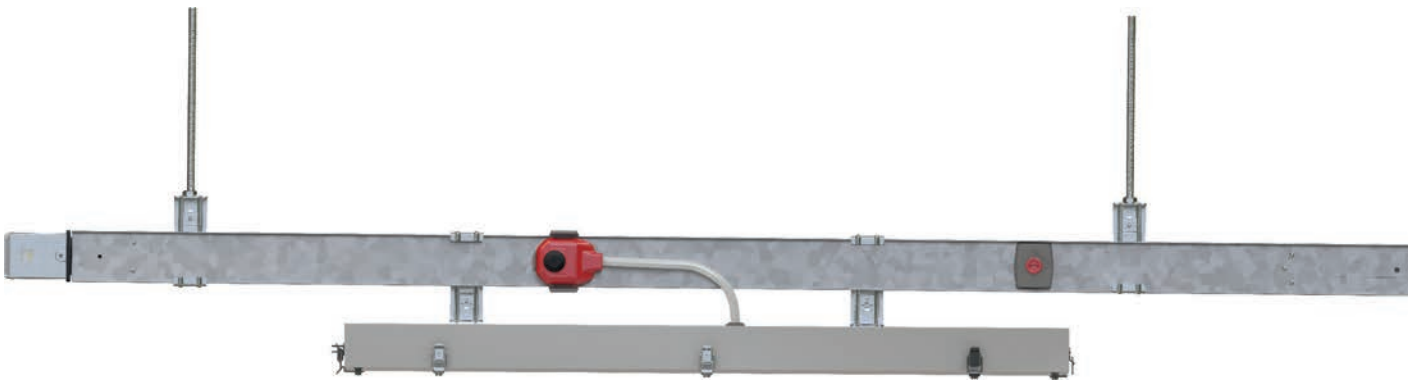
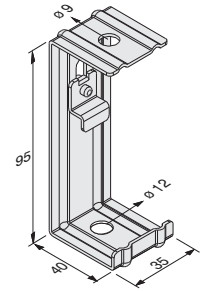
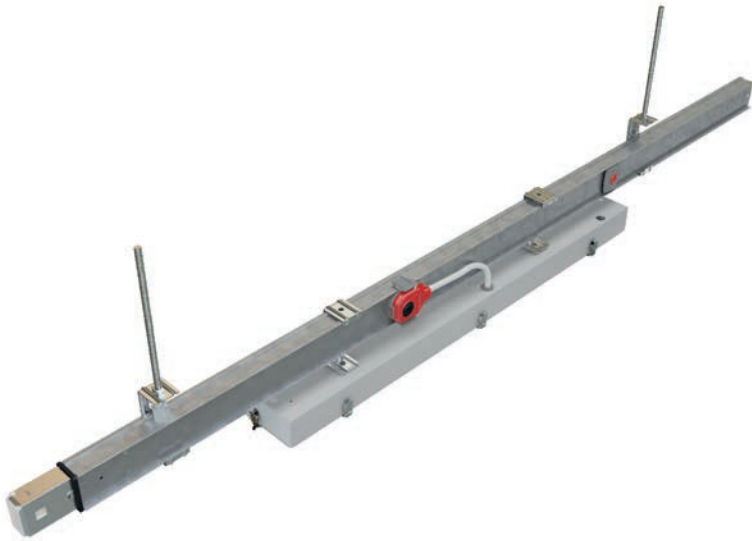


ELINEKAM/KAP

►► Hanger accessories for Busbar and Lighting Luminaries

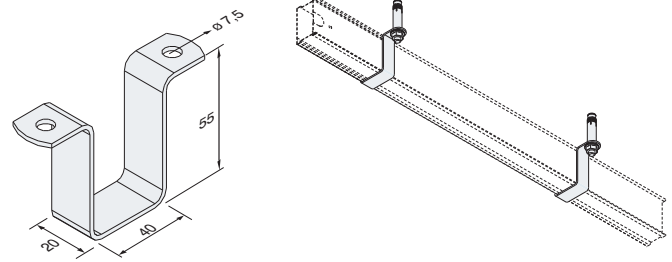


Description	Unpainted Order Code	Painted Order Code
L Type Fixing Unit	1004283	2037295



Fixing unit "U" type

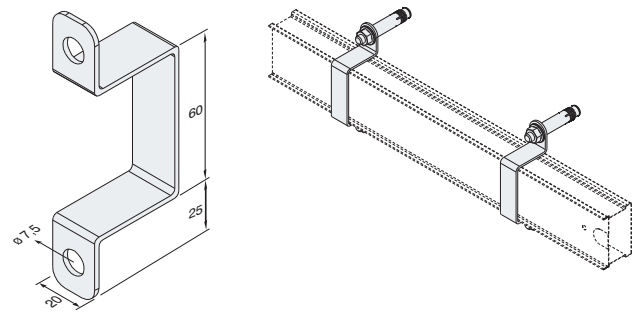
Description	Unpainted Order Code	Painted Order Code
KA - TPU TPU Fixing unit "U" type	3025158	3025159



KA - TPU

Side Wall Support

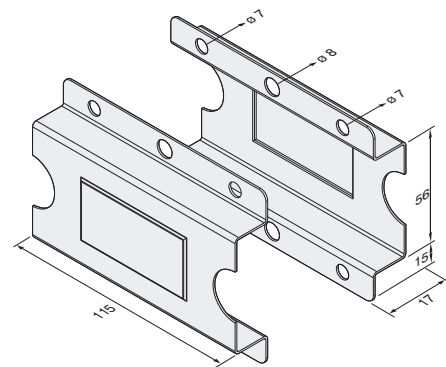
Description	Unpainted Order Code	Painted Order Code
KA-TD Side Wall Support	3025106	3025107



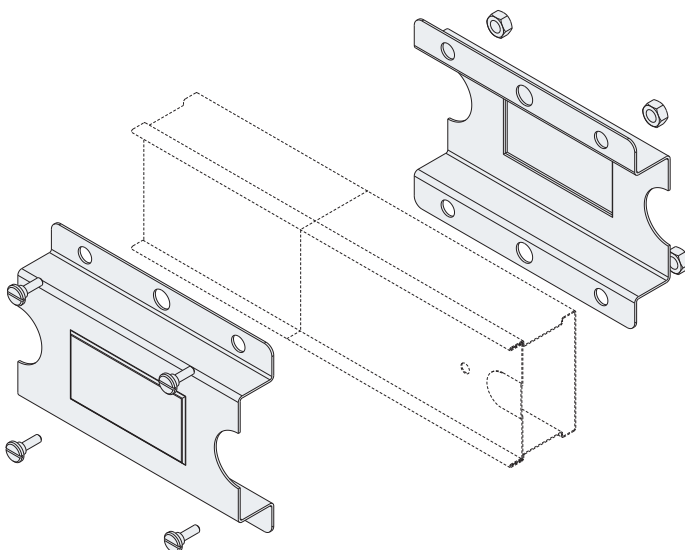
KA-TD Side Wall Support

KAM-KAP Joint Support

Description	Unpainted Order Code	Painted Order Code
KAM-KAP Joint Support	3025160	3025161



KAM-KAP Joint Support



	<p>TEST CERTIFICATE</p> <p>For the product: Low-voltage busbar trunking system</p> <p>EAE Elektrik Asa Insaat San. ve Tic. A.Ş. Akçaburgaz Mah. 34510 Esenyurt Turkey</p>	
	<p>TEST CERTIFICATE</p> <p>Requirements: IEC 61439-6: 2012; Clauses: 10.2.3, 10.2.6, 10.2.7, 10.2.101, 10.3, 10.4, 10.5, 10.9, 10.10, 10.11 and Annex BB, CC, and DD</p> <p>Busbar trunking system is granted on account of 1.01-INC, dated 31/03/2013. The test has been carried out and the certification does not conflict with the specifications of IEC 61439-6: 2012.</p>	
	<p>TEST CERTIFICATE</p> <p>Requirements: IEC 61439-6: 2012; Clauses: 10.2.3, 10.2.6, 10.2.7, 10.2.101, 10.3, 10.4, 10.5, 10.9, 10.10, 10.11 and Annex BB, CC, and DD</p> <p>Busbar trunking system is granted on account of 1.01-INC, dated 31/03/2013. The test has been carried out and the certification does not conflict with the specifications of IEC 61439-6: 2012.</p>	
	<p>TEST CERTIFICATE</p> <p>Requirements: IEC 61439-6: 2012; Clauses: 10.2.3, 10.2.6, 10.2.7, 10.2.101, 10.3, 10.4, 10.5, 10.9, 10.10, 10.11 and Annex BB, CC, and DD</p> <p>Busbar trunking system is granted on account of 1.01-INC, dated 31/03/2013. The test has been carried out and the certification does not conflict with the specifications of IEC 61439-6: 2012.</p>	

DEKRA Certification B.V. Utrechtseweg 310, 6812 AR Arnhem P.O. Box 5185, 6802 ED Arnhem, The Netherlands
 T +31 88 96 83000 F +31 88 96 83100 www.dekra-certification.com Company registration 09085396

CE DECLARATION OF CONFORMITY

Product Group E-Line KAM-KAP Busbar Energy Distribution System

Manufacturer EAE Elektrik Asansor End. Insaat San. ve Tic. A.S.
Akcaburgaz Mahallesi, 3114. Sokak,
No:10 34522 Esenyurt-Istanbul

The objects of the declaration described below is in conformity with the relevant Union harmonisation legislation. This declaration of conformity is issued under the sole responsibility of the manufacturer.

Standard :

EN 61439-6

Low-voltage switchgear and controlgear assemblies - Part 6: Busbar trunking systems

IEC 61439-6

Low-voltage switchgear and controlgear assemblies - Part 6: Busbar trunking systems (busways)

CE - Directive

2014/35/EU "The Low Voltage Directive"

2014/30/EU "Electromagnetic Compatibility (EMC) Directive"

2011/65/EU "Restriction of the use of certain hazardous substances (RoHS)"

Technical Document Preparation Official ;

EAE Elektrik Asansor End. Insaat San. ve Tic. A.S.
Akcaburgaz Mahallesi, 3114. Sokak, No:10 34522 Esenyurt-Istanbul

Emre GÜRLEYEN

Date

08.03.2021

Document Authorized Signatory

Elif Gamze KAYA OK
Deputy General Manager




25A - 63A PLUG-IN BUSBAR SYSTEMS PRODUCT OVERVIEW (E-Line KAM / KAP)

- 1- The busbar system shall have rated current levels between 25A and 63A and shall have copper conductors.
- 2- Plug-in busbar system shall have one of the following conductor number and configurations;
 - a) 2 conductors : L1 / N / Housing (Earthing)
 - b) 3 conductors : L1 / N / PE + Housing (PE conductor and housing are connected)
 - c) 4 conductors : L1 / L2 / L3 / N / Housing (Earthing)
 - d) 5 conductors : L1 / L2 / L3 / N / PE + Housing (PE conductor and housing are connected)

Housing shall be used as earth conductor.
- 3- The rated insulation voltage of the system must be 500V for KAM busbar and 690V for KAP busbar
- 4- On a three meter standard length there shall be four plug-in points.
- 5- The conductors in the housing shall be continuously insulated and only stripped off at the plug-in points to create contact area.
- 6- There shall be insulator supports at the plug-in points.
- 7- The conductors shall be of electrolytic copper and continuously tin plated.
- 8- Each current rating of the busbar system shall have a type test report according to IEC 61439-6. The type test reports shall be from an internationally accepted third party laboratory.
- 9- Joints of the busbar shall slide into each other; joint contacts shall be silver plated. To ensure a safe joint contact there shall be springs on both sides of joint contacts.
- 10- IP Protection degree of the busbars shall be 55.
- 11- The housing of the busbar shall be manufactured from 0,50 mm thick galvanised sheet steel.
- 12- Contacts of the tap offs shall be off jawed structure, which touches the conductors on both sides. The contacts shall also have springs.
- 13- The manufacturing facility for the busbar systems shall have ISO 9001 and ISO 14001 certification.

Component List	Quantity	Company : Project : Project No :	Name : Date : Signature :
Item		Prepared by	




Please duplicate this page for your own use.

Component List	Item	Component	Quantity
Please duplicate this page for your own use.			

Company :
Project :
Project No :

Prepared by
Name :
Date :
Signature :



EAE Elektrik A.S.
Akcaburgaz Mahallesi,
3114. Sokak, No:10 34522
Esenyurt - Istanbul - TURKEY
Tel: +90 (212) 866 20 00
Fax: +90 (212) 886 24 20

Please visit our website for the updated version of our catalogues.
www.eaelectric.com

IEC 61439-6



Catalogue 06-Eng. / Rev 15 1000 Pcs. 25/03/2021
S.S.

EAE has full right to make any revisions or changes on this catalogue without any prior notice.