



E-LINEWSB

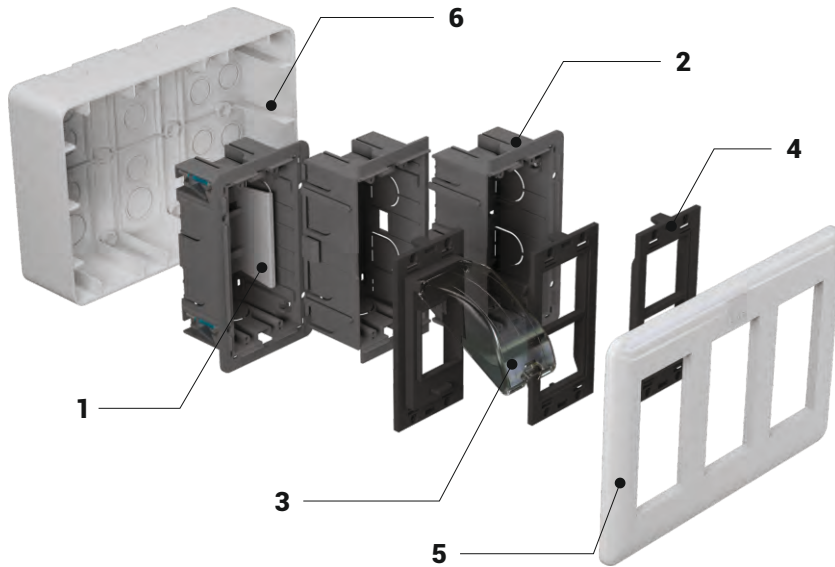
Wall Type Modular Socket Boxes



▶▶ WALL TYPE MODULAR SOCKET BOXES

AESTHETICS and FUNCTIONAL STRUCTURE WITH SAFETY, RIGHT BESIDE YOU...

- Capacity options from 4 Modules to 16 Modules,
- Modular, interlaced socket and MCB/RCD cases,
- Transparent cover for MCB/RCD,
- Ergonomic, easy to mount structure, suitable for modular 45x45 mm mains and UPS sockets and 22,5x45 mm phone, data and multimedia sockets,
- Options for flush and surface mounted application.



- 1 - DIN rail case for MCB/RCD (PA6)
- 2 - Modular, integrated socket case (PA6)
- 3 - MCB/RCD plate with transparent cover (PA6+PC)
- 4 - Modular socket plate (PA6)
- 5 - Modular socket box, front cover (ABS)
- 6 - Surface mounted mounting box (ABS)

• F/M back box is not required for flush mounted applications for dry walls.

• For flush mounted applications in brick and concrete wall, F/M wall case back box must be used.

▶ E-LINE WSB-SM (Wall Type Surface Mounted Modular Socket Boxes)



• Surface Mounted (S/M) 16 Modules

• Surface Mounted (S/M) 12 Modules

• Surface Mounted (S/M) 8 Modules

• Surface Mounted (S/M) 4 Modules

► **E-LINE WSB-FM (Wall Type Flush Mounted Modular Socket Boxes)**



• Flush Mounted (F/M) 16 Modules



• Flush Mounted (F/M) 12 Modules



• Flush Mounted (F/M) 8 Modules

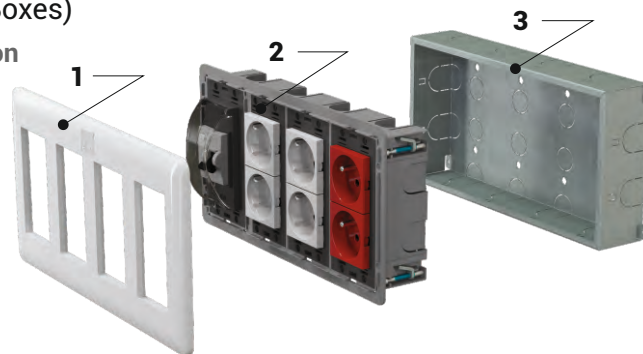


• Flush Mounted (F/M) 4 Modules

► **E-LINE WSB-FM (Back Boxes)**

► **Flush Mounted Application**

To use in brick or concrete wall use a suitable F/M back box.



- 1 - Front Cover
- 2 - F/M Modular Socket Box
- 3 - F/M Back Box (Stainless Steel)

- For WSB Wall Type Modular Socket Boxes; MCB / RCD, power sockets (Mains, UPS), data/phone sockets&faceplates and multimedia sockets are not included.
- Please order required sockets from the back page.
- For more detailed information please contact us.

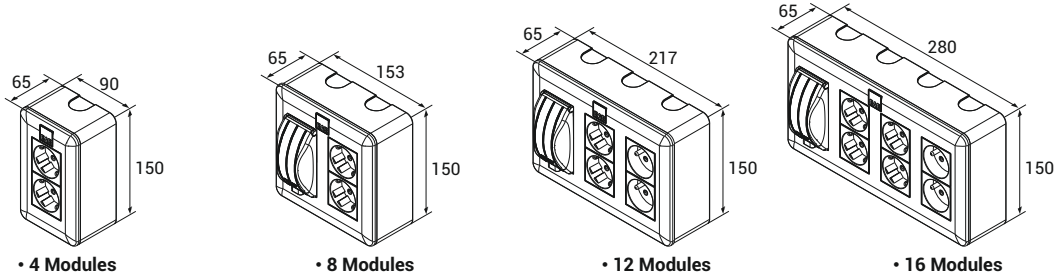
►► General Product Specifications / Order Codes

► E-LINE WSB-SM (Wall Type Surface Mounted Modular Socket Boxes)

Description	Order Codes	Order Codes with MCB/RCD Case
WSB Wall Type S/M Modular Single Socket Box, 4 Modules	3137950	3137954
WSB Wall Type S/M Modular Double Socket Box, 8 Modules	3137951	3137955
WSB Wall Type S/M Modular Triple Socket Box, 12 Modules	3137952	3137956
WSB Wall Type S/M Modular Quad Socket Box, 16 Modules	3137953	3137957



■ MCB/RCD module comes with DIN rail and transparent cover plate and includes 4 modules.



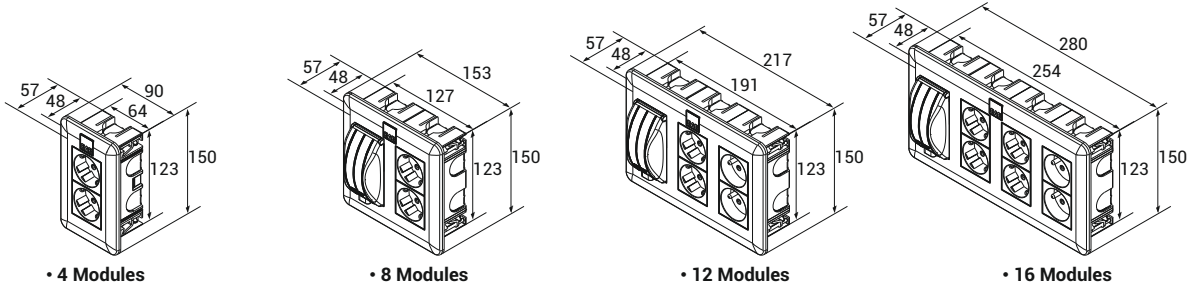
■ The products with MCB/RCD have a depth 89mm..

► E-LINE WSB-FM (Wall Type Flush Mounted Modular Socket Boxes)

Description	Order Codes	Order Codes with MCB/RCD Case
WSB Wall Type F/M Modular Single Socket Box, 4 Modules	3137940	3137946
WSB Wall Type F/M Modular Double Socket Box, 8 Modules	3137942	3137947
WSB Wall Type F/M Modular Triple Socket Box, 12 Modules	3137944	3137948
WSB Wall Type F/M Modular Quad Socket Box, 16 Modules	3137945	3137949



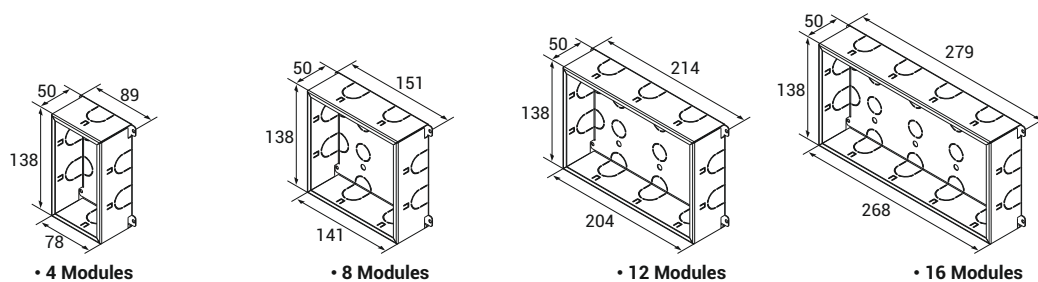
■ MCB/RCD module comes with DIN rail and transparent cover plate and includes 4 modules.



■ The products with MCB/RCD have a depth 89mm..

► E-LINE WSB-FM (Back Boxes)

Description	Order Codes
WSB F/M Single Back Box, 4 Modules	2067652
WSB F/M Double Back Box, 8 Modules	2067654
WSB F/M Triple Back Box, 12 Modules	2067655
WSB F/M Quad Back Box, 16 Modules	2067656



►► Sockets / Accessories Order Codes



Description	Order Code
Power Socket (1) - (230 V / 16 A)	1004270



Description	Order Code
UPS Socket (1) - (230 V / 16 A)	1004271



Description	Order Code
Telephone / Data Cover	1004186

Telephone / Data cover is compatible with the "Keystone Jack" standard.



Description	Order Code
Telephone Socket	1004337

Telephone Socket is given as CAT3 RJ11 "Keystone Jack"



Description	Order Code
Data Socket	1004334

Data Socket is given as CAT6 UTP RJ45 "Keystone Jack"



Description	Order Code
USB 3.0 Adapter, 22,5x45 mm, Female-Female, 90° angled	1016318



Description	Order Code
HDMI Adapter, 22,5x45 mm, Female-Female, 90° angled	1016317



Description	Order Code
VGA Adapter, 22,5x45 mm, Female-Female	1016319



Description	Order Code
USB Charge Adapter 2 Ports, Entry 100-240 VAC, 50-60 Hz, Output 5 VDC – 2100mA	1016316



Description	Order Code
Single Cover Plate	1004246



Description	Order Code
Double Cover Plate	1002612

■ The product visuals are for illustration only, and may vary to the actual product.

EAE Elektrik A.S.
Akcaburgaz Mahallesi,
3114. Sokak, No:10 34522
Esenyurt - Istanbul - TURKEY
Tel: +90 (212) 866 20 00
Fax: +90 (212) 886 24 20

Please visit our website for the updated version of our catalogs.
www.eae.com.tr



Brochure 33-Eng. / Rev 00 1000 pcs. 30/01/2019
G.M.

EAE has full right to make any revisions or changes on this brochure without any prior notice.

