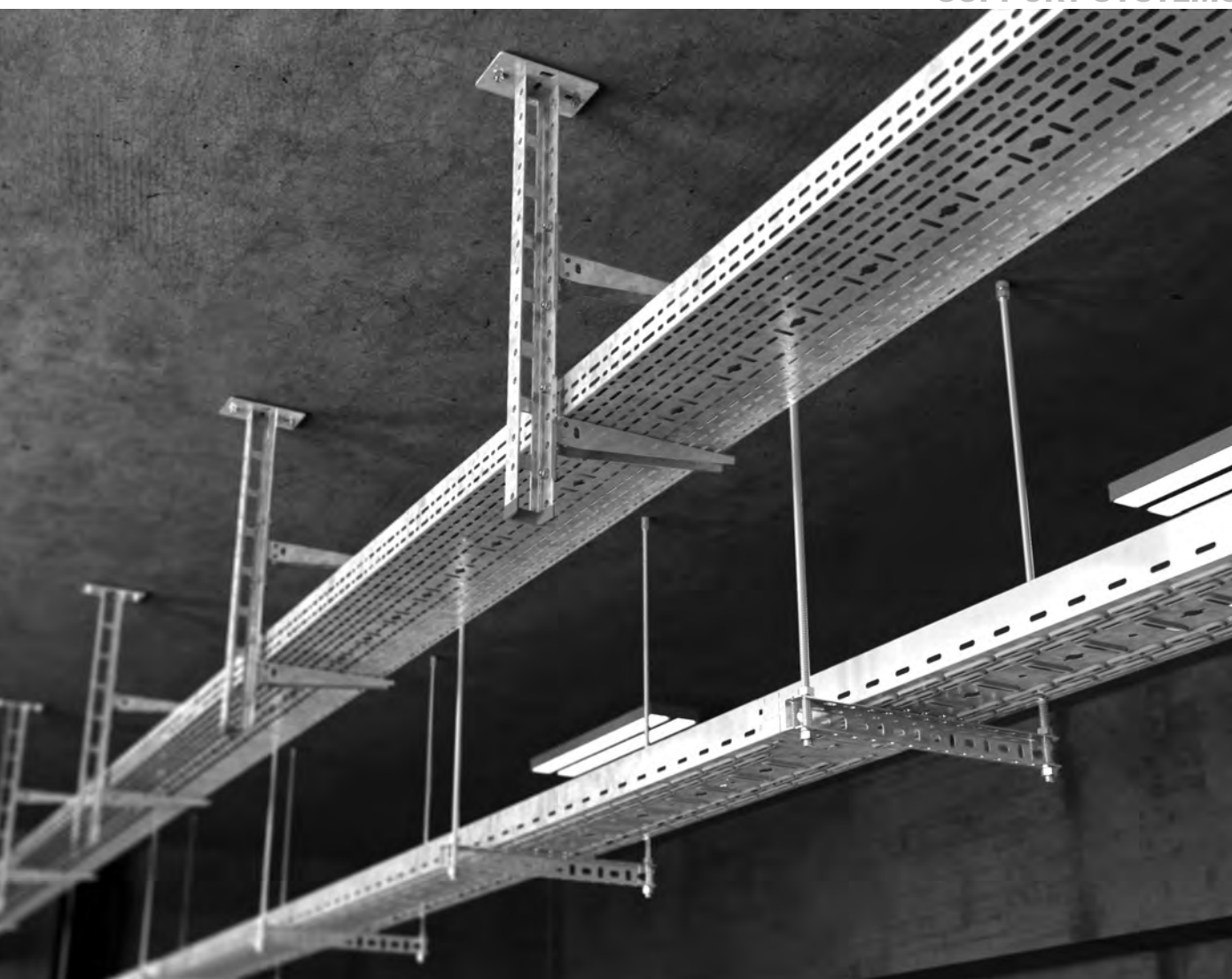




E-LINE A-A

SUPPORT SYSTEMS



E-LINE A-A

Please visit our website for the updated version of our catalogues.
www.eaelectric.com



CONTENTS

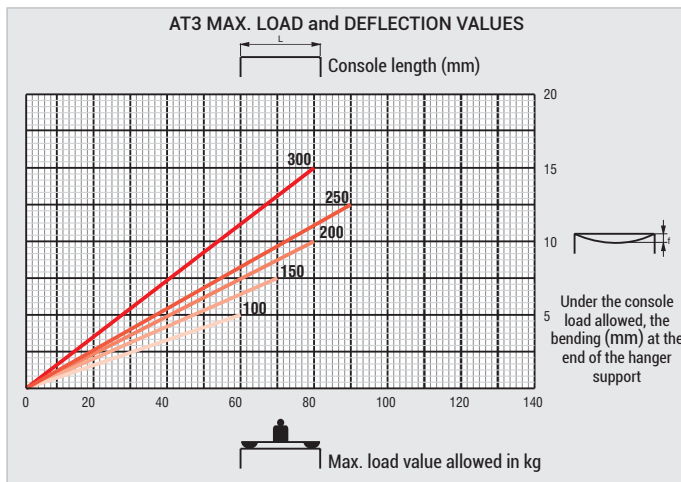
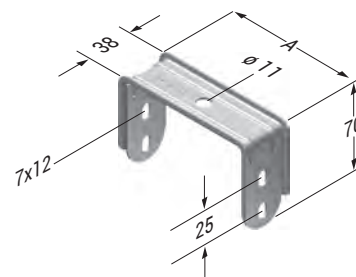
▶▶ E-LINE A-A

Tray Supports	2-4
V Support	5
Fixing Accessories	6
Heavy Duty Supports (Z)	7
Universal Support Fittings	8-9
Binrak Channel, Ceiling Mounting Fittings	10-12
Omega Wall Bracket, Application Examples	13-15
Support Extension Units	16
TS Tray Supports	17-18
Ceiling Mounting Fittings	19-21
Heavy Duty Supports (U), Ceiling Mounting Fittings	22-25
STS Tray Supports	26-29
A-STC-D I Profile	30-31
U Heavy Duty Supports	32-36
I Heavy Duty Supports	37-38
Heavy Duty Supports (Z)	39
A-STK Tray Supports	40
Support Fittings, Ceiling Mounting Fittings	41-45

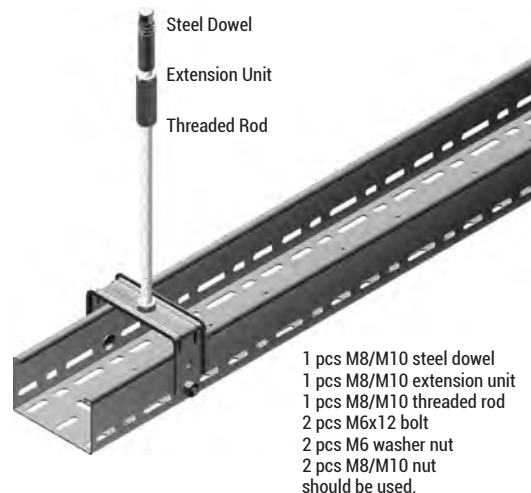
▶▶ TRAY SUPPORTS FOR THREADED RODS

Pre-Galvanized (TS EN 10346 - TS EN 10143), Hot Dip Galvanized (TS EN ISO 1461)

Description	A (mm)	T (mm)	Pack (pcs)	Weight (kg/pcs)	PG Code	Weight (kg/pcs)	HDG Code
AT3 050	50	1,5	20	0,091	3008276	0,100	3008277
AT3 100	100	1,5	10	0,100	3008274	0,110	3008275
AT3 150	150	1,5	10	0,130	3008272	0,143	3008273
AT3 200	200	1,5	10	0,155	3008270	0,171	3008271
AT3 250	250	1,5	10	0,179	3008268	0,197	3008269
AT3 300	300	1,5	10	0,203	3008266	0,223	3008267

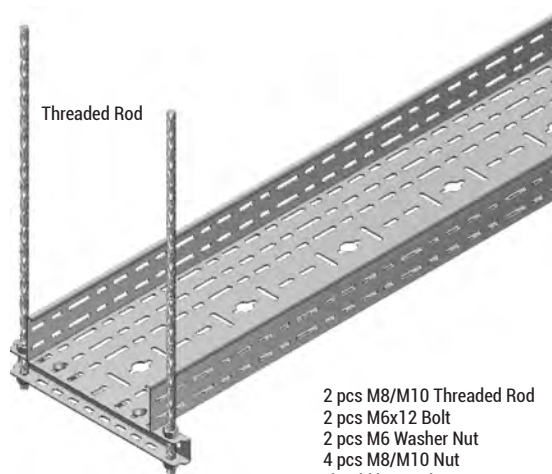
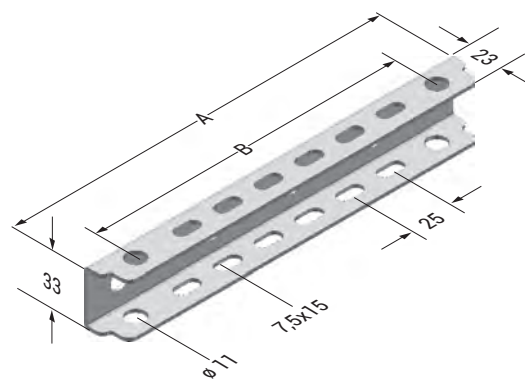
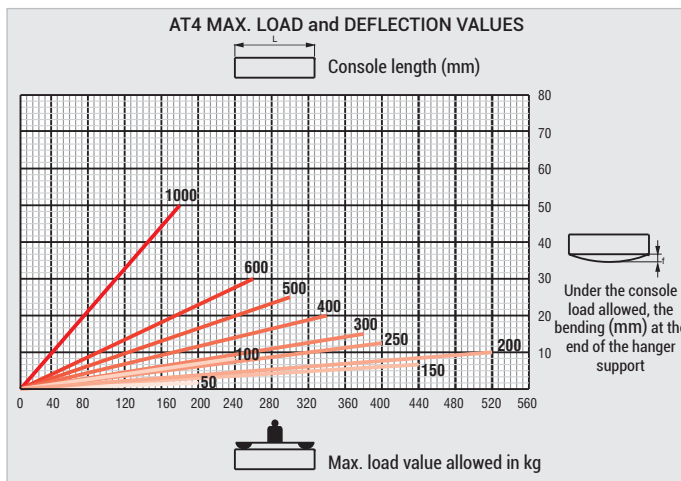


Load values in tables have been defined on the basis of the TS EN 61537 standard.



▶ Tray Supports For Threaded Rods Pre-Galvanized (TS EN 10346 - TS EN 10143), Hot Dip Galvanized (TS EN ISO 1461)

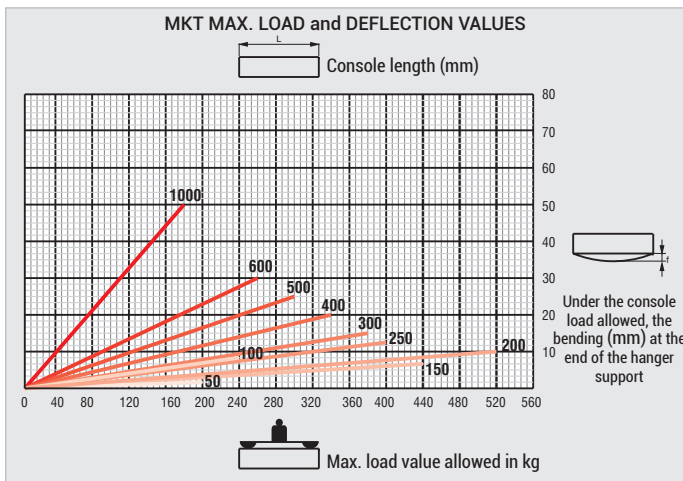
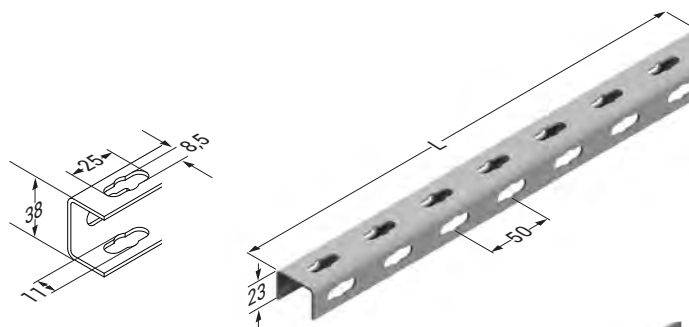
Description	A (mm)	B (mm)	T (mm)	Pack (pcs)	Weight (kg/pcs)	PG Code	Weight (kg/pcs)	HDG Code
AT4 050	125	85	2	20	0,120	3007950	0,132	3007951
AT4 100	175	135	2	20	0,168	3007948	0,184	3007949
AT4 150	225	185	2	20	0,215	3007946	0,236	3007947
AT4 200	275	235	2	20	0,262	3007944	0,288	3007945
AT4 250	325	285	2	20	0,310	3007942	0,341	3007943
AT4 300	375	335	2	20	0,357	3007940	0,392	3007941
AT4 400	475	435	2	20	0,457	3007938	0,502	3007939
AT4 500	575	535	2	20	0,557	3007936	0,601	3007937
AT4 600	675	635	2	20	0,642	3005829	0,706	3005830
AT4 1000	1075	1035	2	20	1,021	3007934	1,123	3007935



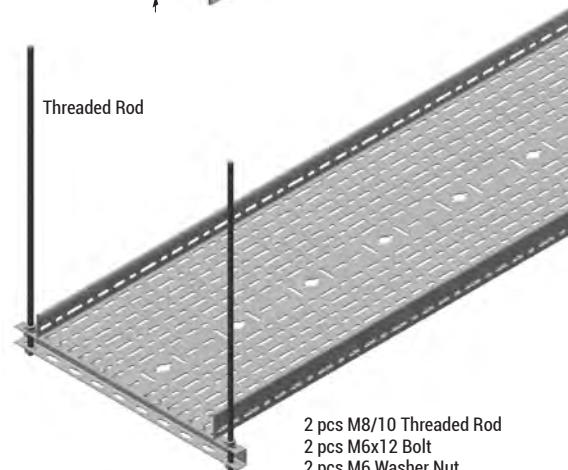
- Please contact your representative for inquiries regarding stainless steel alternatives.
- Please indicate order code in your orders.
- Please contact us for special dimensions.
- Material weights may vary by $\pm 10\%$

- All dimensions are given as in mm
- PG= Pre-Galvanized
- HDG= Hot Dip Galvanized

Description	L (mm)	T (mm)	Weight (kg/pcs)	PG Code	Weight (kg/pcs)	HDG Code
MKT 1000	1000	1,5	0,700	3301106	0,770	3301105
MKT 1000	1000	2	0,933	3110199	1,027	3004545
MKT 2000	2000	1,5	1,401	3295024	1,541	3295022
MKT 2000	2000	2	1,868	3110200	2,055	3004546
MKT 3000	3000	1,5	2,101	3295025	2,311	3295023
MKT 3000	3000	2	2,801	3110201	3,081	3108824



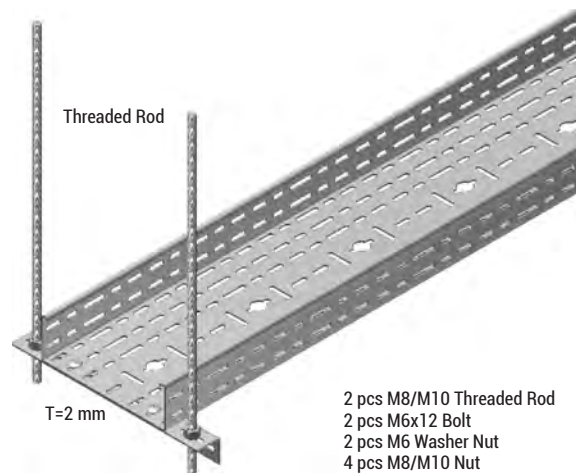
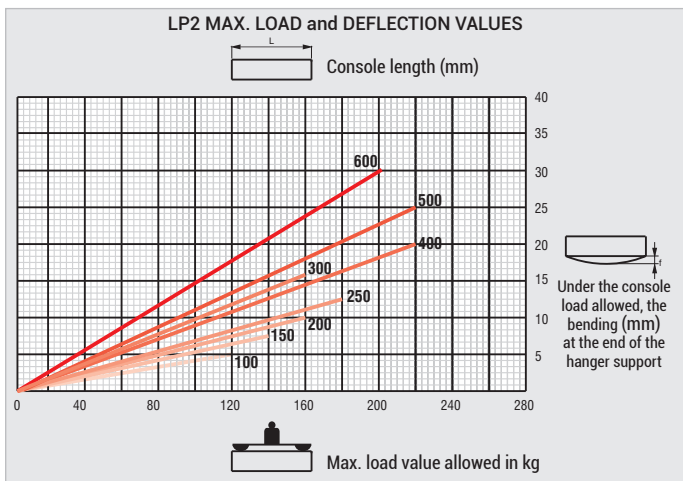
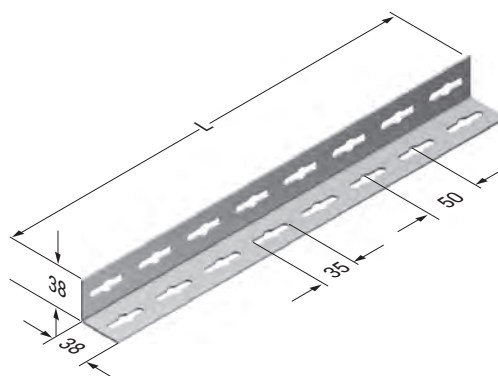
Load values in tables have been defined on the basis of the TS EN 61537 standard.



▶ Tray Supports For Threaded Rods Pre-Galvanized (TS EN 10346 - TS EN 10143), Hot Dip Galvanized (TS EN ISO 1461)

Description	T (mm)	L (mm)	Weight (kg/pcs)	PG Code	Weight (kg/pcs)	HDG Code
LP2 1000	2	1000	0,980	3001959	1,078	3001960
LP2 2000	2	2000	1,959	3001961	2,155	3001962
LP2 3000	2	3000	2,939	3001963	3,233	3001964

■ After the area is cut as required, it should be painted in line with the coating procedure. (See. Accessory Page 17.)



- Please contact your representative for inquiries regarding stainless steel alternatives.
- Please indicate order code in your orders.
- Please contact us for special dimensions.
- Material weights may vary by ± 10%

- All dimensions are given as in mm
- PG= Pre-Galvanized
- HDG= Hot Dip Galvanized

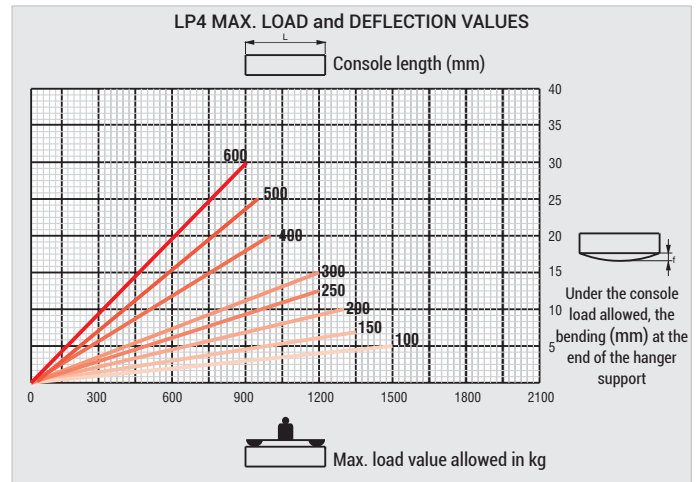
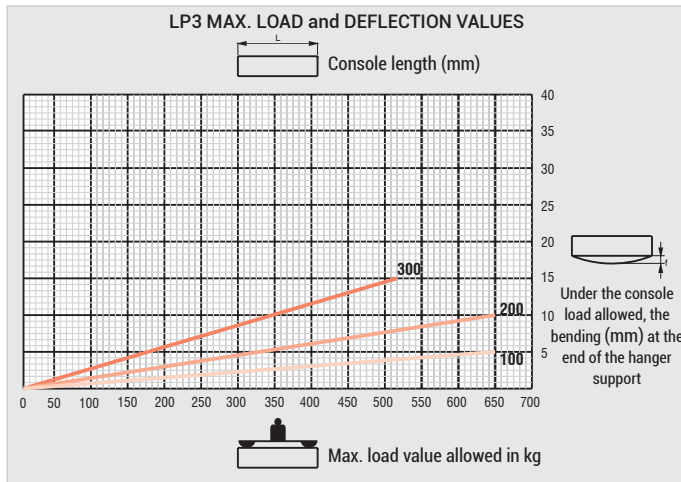
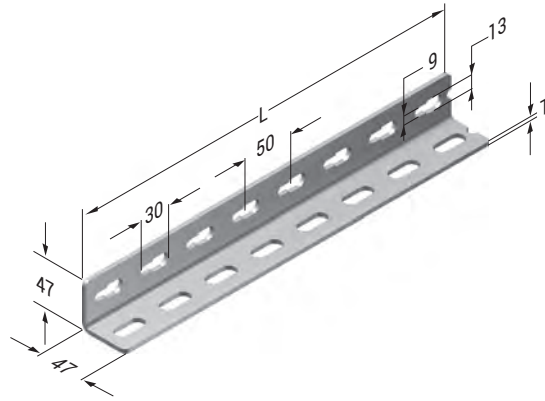
E-LINEA-A

▶▶ TRAY SUPPORTS FOR THREADED RODS

Hot Dip Galvanized (TS EN ISO 1461)



Description	T (mm)	L (mm)	Weight (kg/pcs)	HDG Code
LP3 1000	3	1000	1,781	3004563
LP3 2000	3	2000	3,566	3004565
LP3 3000	3	3000	5,350	3004566
LP4 1000	4	1000	2,323	3004568
LP4 2000	4	2000	4,651	3004570
LP4 3000	4	3000	6,979	3004571



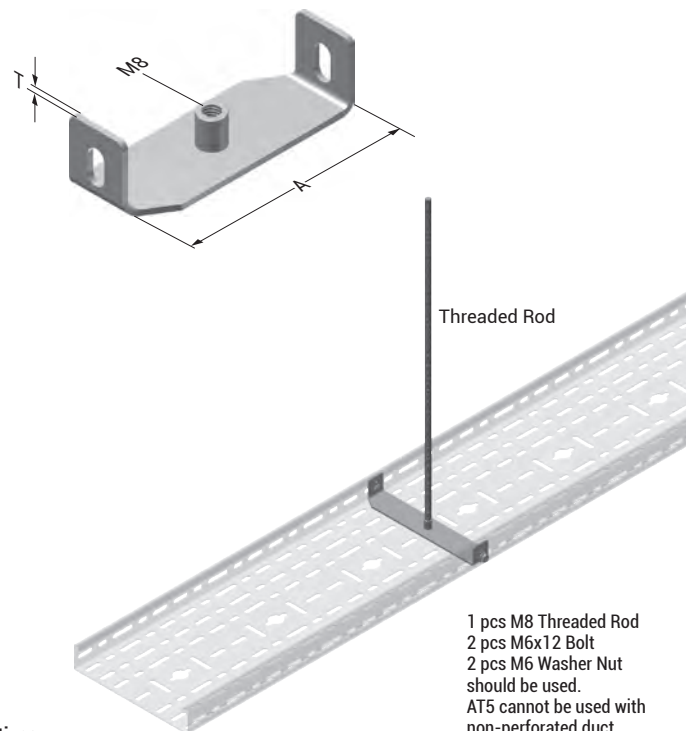
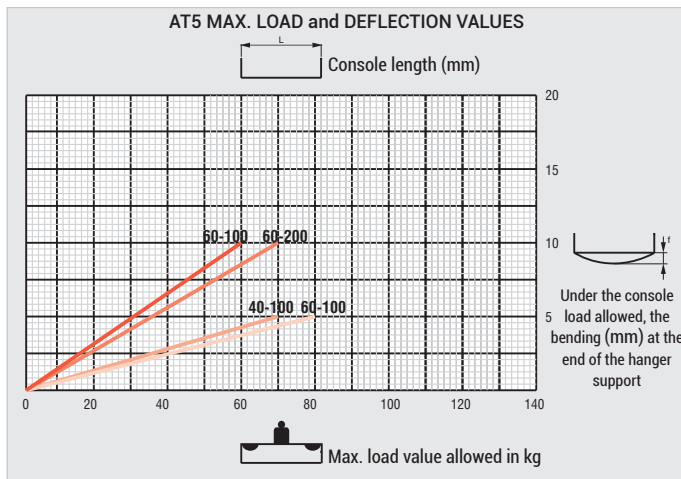
Load values in tables have been defined on the basis of the TS EN 61537 standard.

■ After the area is cut as required, it should be painted in line with the coating procedure. (See. Accessory Page 17.)

▶ Tray Supports For Threaded Rods Pre-Galvanized (TS EN 10346 - TS EN 10143)

Description	T (mm)	A (mm)	Pack (pcs)	Weight (kg/pcs)	PG Code
040 AT5 100	2	97	10	0,080	3006412
040 AT5 200	2,5	197	10	0,149	3006413
060 AT5 100	2	97	10	0,100	3006415
060 AT5 200	2,5	197	10	0,168	3006416

- AT5 type product is available just to use up to 1.2mm thickness tray.
- Please do not order for over 1.2mm thickness cable trays.

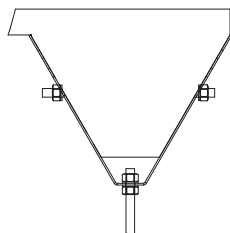
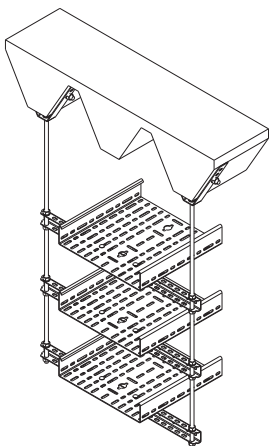
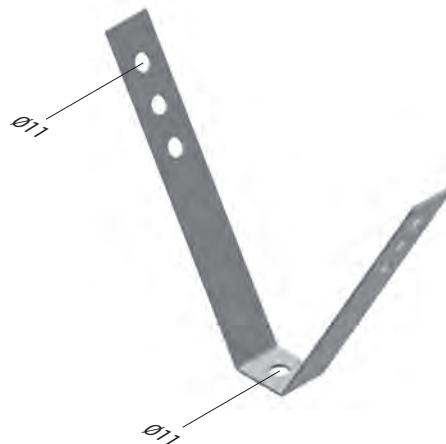


- Please contact your representative for inquiries regarding stainless steel alternatives.
- Please indicate order code in your orders.
- Please contact us for special dimensions.
- Material weights may vary by $\pm 10\%$

■ All dimensions are given as in mm

■ PG= Pre-Galvanized
■ HDG= Hot Dip Galvanized

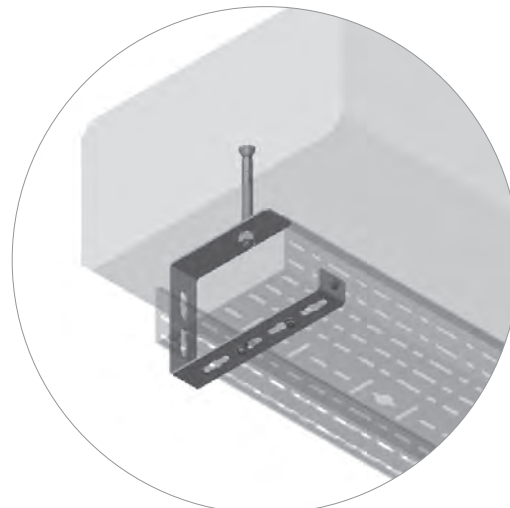
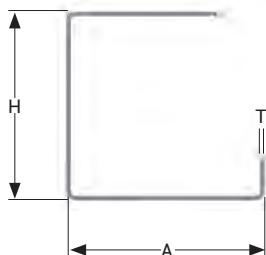
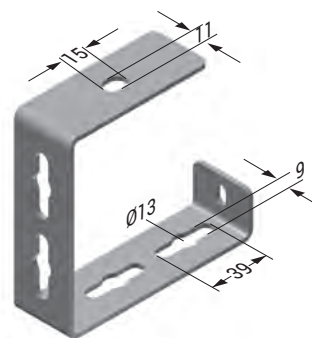
Description	PG Code
V Support Fitting	3063023



• This product can be specially manufactured to meet the customer's specified angles and sizes.

► C Support Pregalvanized (TS EN 10346 - TS EN 10143)

Description	H (mm)	A (mm)	T (mm)	Weight (kg/pcs)	PG Code	Weight (kg/pcs)	HDG Code
C HANGER WITH DOWEL 100-050	100	81	3	0,233	3086871	0,257	3086540
C HANGER WITH DOWEL 100-100	100	131	3	0,328	3086872	0,361	3086541
C HANGER WITH DOWEL 100-150	100	181	3	0,419	3086873	0,461	3086542
C HANGER WITH DOWEL 100-200	100	231	3	0,462	3086874	0,508	3086543
C HANGER WITH DOWEL 125-075	125	106	3	0,273	3086875	0,300	3086544
C HANGER WITH DOWEL 125-100	125	131	3	0,341	3086876	0,375	3086545
C HANGER WITH DOWEL 125-150	125	181	3	0,436	3086877	0,479	3086546
C HANGER WITH DOWEL 125-200	125	231	3	0,477	3086878	0,525	3086547
C HANGER WITH DOWEL 150-100	150	131	3	0,371	3086879	0,408	3086548
C HANGER WITH DOWEL 150-150	150	181	3	0,462	3086880	0,508	3086549
C HANGER WITH DOWEL 150-200	150	231	3	0,504	3086881	0,554	3086550
C HANGER WITH DOWEL 200-150	200	181	3	0,504	3086882	0,554	3086551
C HANGER WITH DOWEL 200-200	200	231	3	0,546	3086883	0,600	3086552



■ Please contact your representative for inquiries regarding stainless steel alternatives.

■ Please indicate order code in your orders.

■ Please contact us for special dimensions.

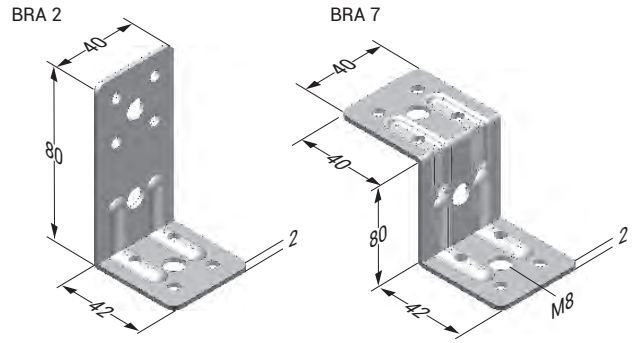
■ Material weights may vary by ± 10%

■ All dimensions are given as in mm

■ PG= Pre-Galvanized

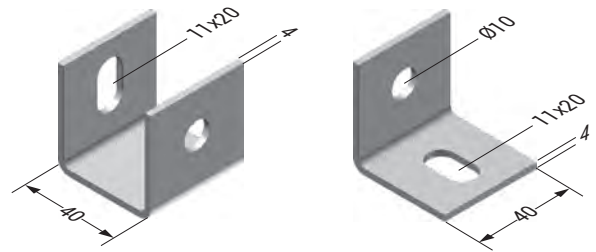
■ HDG= Hot Dip Galvanized

Description	Pack (pcs)	Weight (kg/pcs)	PG Code
BRA2 Fixing Fitting	20	0,074	3008265
BRA7 Fixing Fitting	20	0,076	3008324



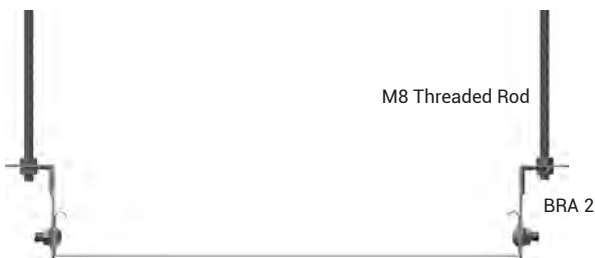
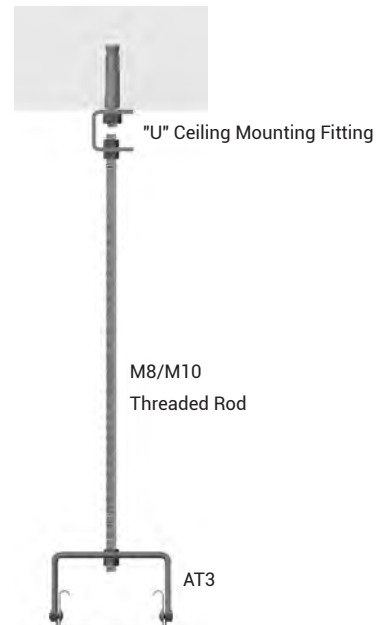
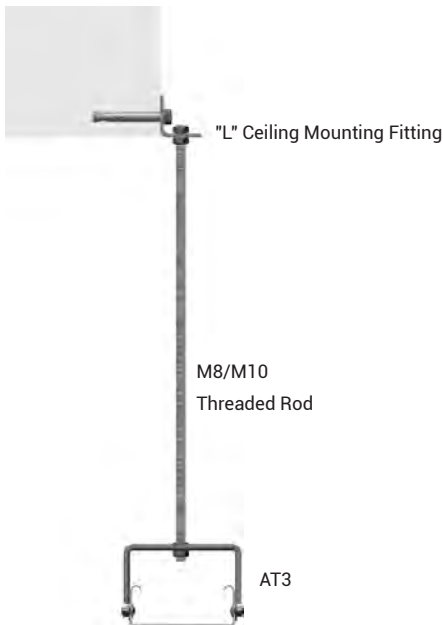
► Fixing Accessories (Alkali Zinc)

Description	Capacity (kg)	Pack (pcs)	Weight (kg/pcs)	PG Code
"U" Ceiling Mounting Fitting	250	20	0,135	3000001
"L" Ceiling Mounting Fitting	250	40	0,091	3000000



"U" Ceiling Mounting Fitting

"L" Ceiling Mounting Fitting



- Please indicate order code in your orders.
- Please contact us for special dimensions.
- Material weights may vary by ± 10%

- All dimensions are given as in mm
- PG= Pre-Galvanized
- HDG= Hot Dip Galvanized

E-LINEA-A

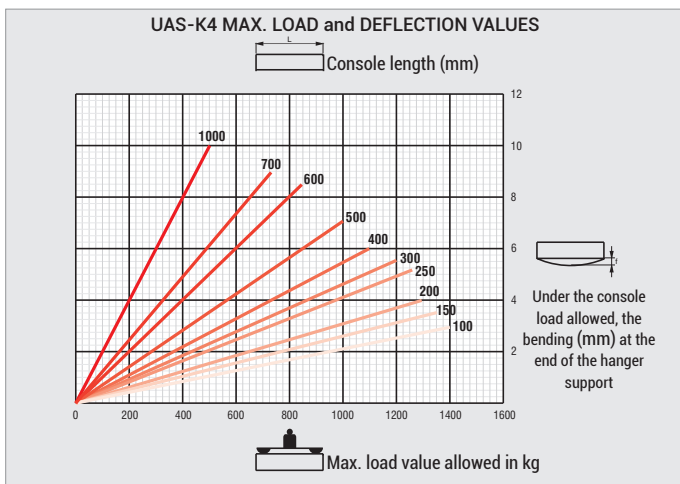
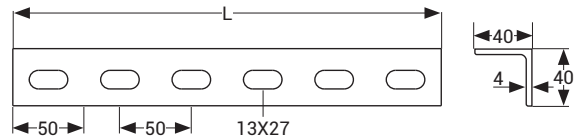
►► HEAVY DUTY SUPPORTS (Z)

Hot Dip Galvanized (TS EN ISO 1461)



A-A

Description	T (mm)	L (mm)	Weight (kg/pcs)	HDG Code
UAS-K4 Support (1)	4	200	0,475	3005333
UAS-K4 Support (2)	4	250	0,594	3005332
UAS-K4 Support (3)	4	300	0,713	3005331
UAS-K4 Support (4)	4	350	0,832	3005330
UAS-K4 Support (5)	4	400	0,951	3005329
UAS-K4 Support (6)	4	500	1,189	3005328
UAS-K4 Support (7)	4	600	1,426	3005327
UAS-K4 Support (8)	4	700	1,664	3005326
UAS-K4 Support (9)	4	1100	2,615	3005325

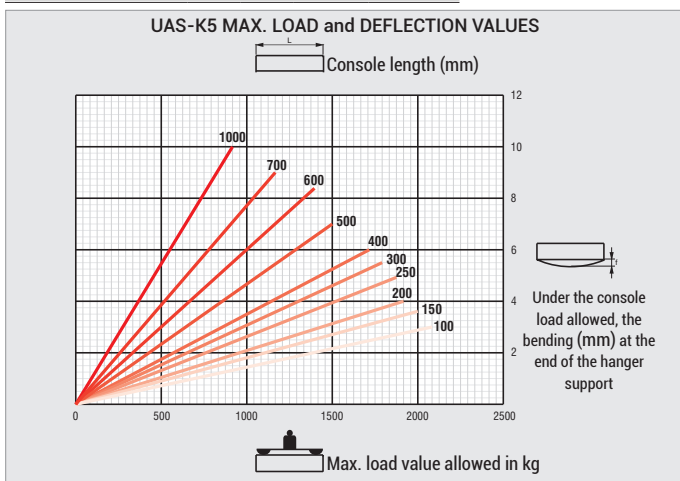
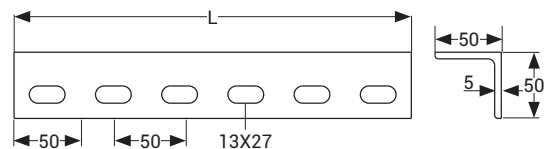


Load values in tables have been defined on the basis of the TS EN 61537 standard.



►► Heavy Duty Supports (L) Hot Dip Galvanized (TS EN ISO 1461)

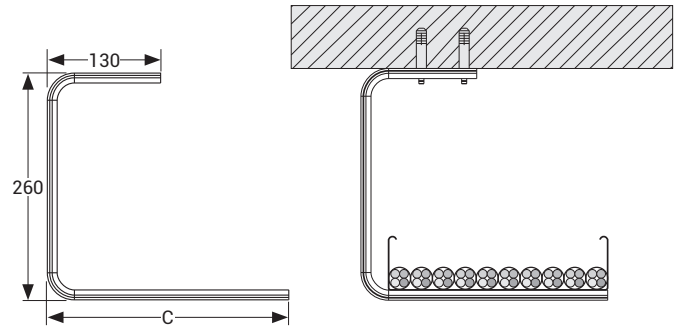
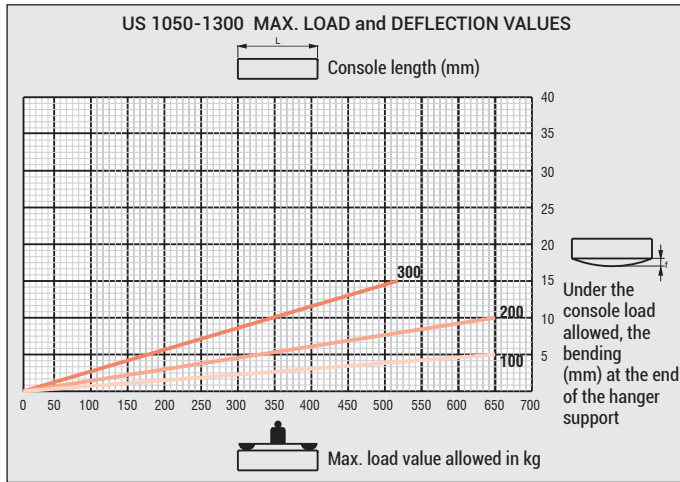
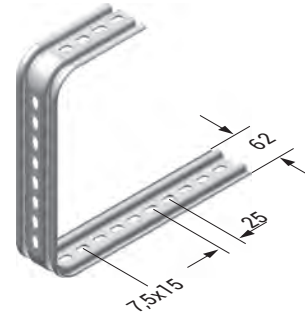
Description	T (mm)	L (mm)	Weight (kg/pcs)	HDG Code
UAS-K5 Support (1)	5	200	0,751	3005324
UAS-K5 Support (2)	5	250	0,938	3005323
UAS-K5 Support (3)	5	300	1,126	3005322
UAS-K5 Support (4)	5	350	1,313	3005321
UAS-K5 Support (5)	5	400	1,501	3005320
UAS-K5 Support (6)	5	500	1,876	3005319
UAS-K5 Support (7)	5	600	2,252	3005318
UAS-K5 Support (8)	5	700	2,627	3005317
UAS-K5 Support (9)	5	1100	4,129	3005316



- Please contact your representative for inquiries regarding stainless steel alternatives.
- Please indicate order code in your orders.
- Please contact us for special dimensions.
- Material weights may vary by $\pm 10\%$

- All dimensions are given as in mm
- PG= Pre-Galvanized
- HDG= Hot Dip Galvanized

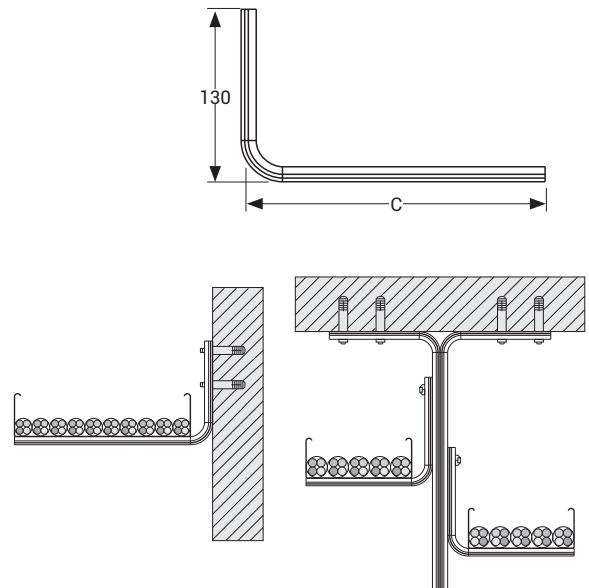
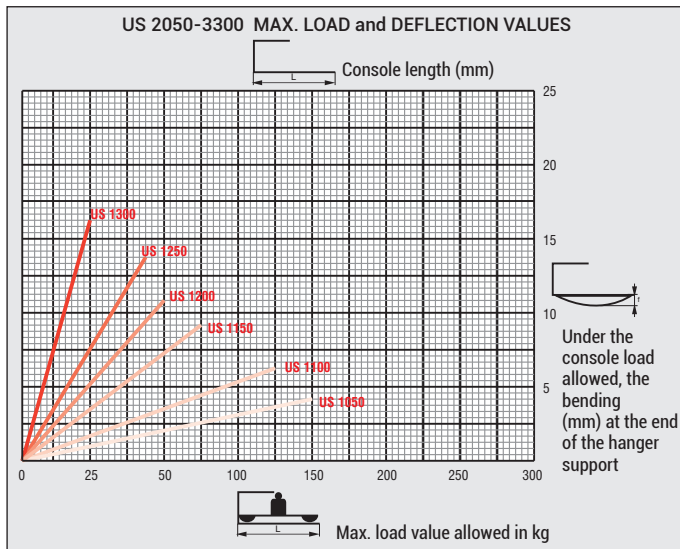
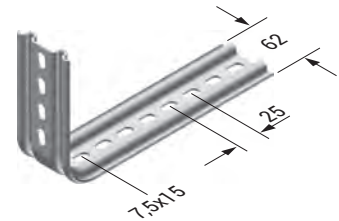
Description	C (mm)	T (mm)	Pack (set)	Weight (kg/pcs)	PG Code	Weight (kg/pcs)	HDG Code
US 1050	80	2	10	0,500	3008041	0,550	3008042
US 1100	130	2	10	0,550	3008043	0,605	3008044
US 1150	180	2	10	0,611	3008045	0,672	3008046
US 1200	230	2	10	0,666	3008047	0,733	3008048
US 1250	280	2	10	0,721	3008049	0,793	3008050
US 1300	330	2	10	0,777	3008051	0,855	3008052



Load values in tables have been defined on the basis of the TS EN 61537 standard.

► Universal Support Fittings

Description	C (mm)	T (mm)	Pack (set)	Weight (kg/pcs)	PG Code	Weight (kg/pcs)	HDG Code
US 2050	80	2	10	0,220	3008053	0,242	3008054
US 2100	130	2	10	0,275	3008055	0,303	3008056
US 2150	180	2	10	0,330	3008057	0,363	3008058
US 2200	230	2	10	0,386	3008059	0,425	3008060
US 2250	280	2	10	0,441	3008061	0,485	3008062
US 2300	330	2	10	0,470	3008063	0,517	3008064
US 3300	380	2	10	0,496	3008065	0,546	3008066

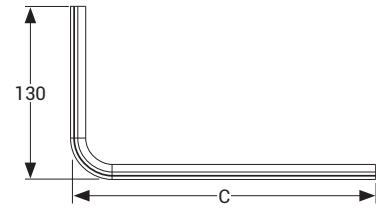
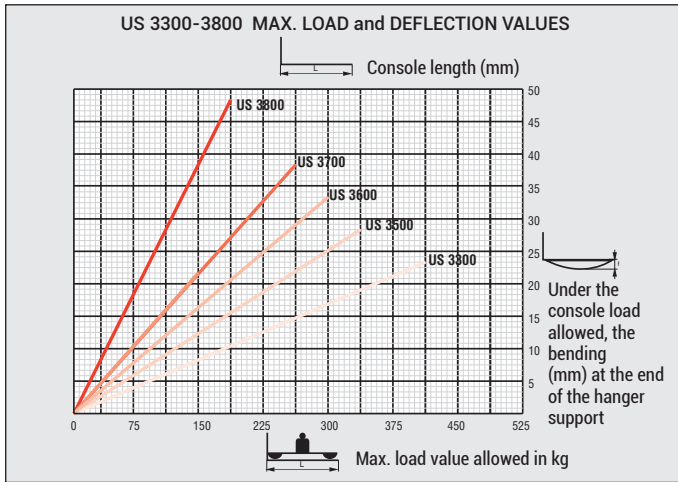
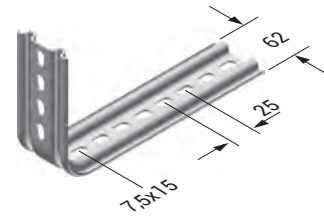


Load values in tables have been defined on the basis of the TS EN 61537 standard.

- Please contact your representative for inquiries regarding stainless steel alternatives.
- Please indicate order code in your orders.
- Please contact us for special dimensions.
- Material weights may vary by $\pm 10\%$

- All dimensions are given as in mm
- PG= Pre-Galvanized
- HDG= Hot Dip Galvanized

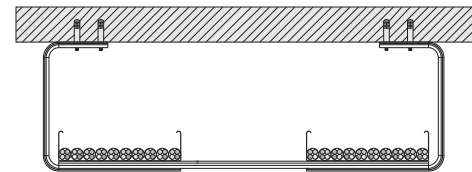
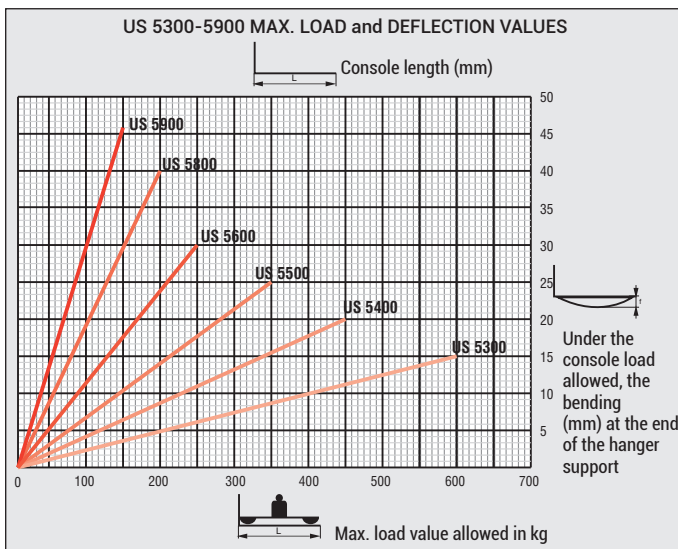
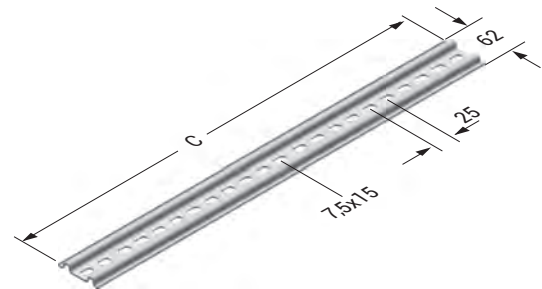
Description	C (mm)	T (mm)	Pack (set)	Weight (kg/pcs)	PG Code	Weight (kg/pcs)	HDG Code
US 3400	480	2	10	0,662	3008067	0,728	3008068
US 3500	580	2	10	0,773	3008069	0,850	3008070
US 3600	680	2	10	0,883	3008071	0,971	3008072
US 3700	780	2	10	0,994	3008073	1,093	3008074
US 3800	880	2	10	1,101	3008075	1,211	3008076



Load values in tables have been defined on the basis of the TS EN 61537 standard.

► Universal Support Fittings

Description	C (mm)	T (mm)	Pack (set)	Weight (kg/pcs)	PG Code	Weight (kg/pcs)	HDG Code
US 5300	300	2	10	0,322	3008087	0,354	3008088
US 5400	400	2	10	0,429	3008089	0,472	3008090
US 5500	500	2	10	0,536	3008091	0,590	3008092
US 5600	600	2	10	0,644	3008093	0,708	3008094
US 5800	800	2	10	0,864	3008095	0,951	3008096
US 5900	900	2	10	0,972	3008097	1,069	3008098



Load values in tables have been defined on the basis of the TS EN 61537 standard.

- Please contact your representative for inquiries regarding stainless steel alternatives.
- Please indicate order code in your orders.
- Please contact us for special dimensions.
- Material weights may vary by $\pm 10\%$

- All dimensions are given as in mm
- PG= Pre-Galvanized
- HDG= Hot Dip Galvanized

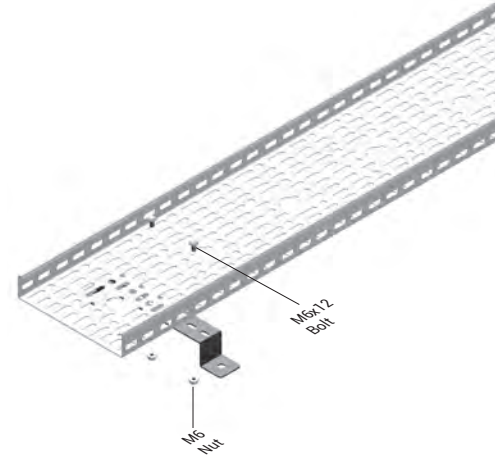
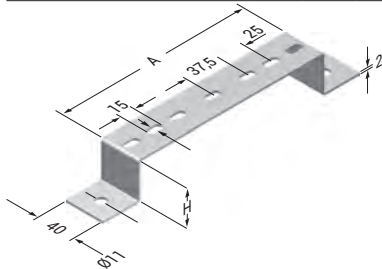
E-LINEA-A

►►BINRAK CHANNEL

►Tray Supports Pre-Galvanized (TS EN 10346 - TS EN 10143), Hot Dip Galvanized (TS EN ISO 1461)

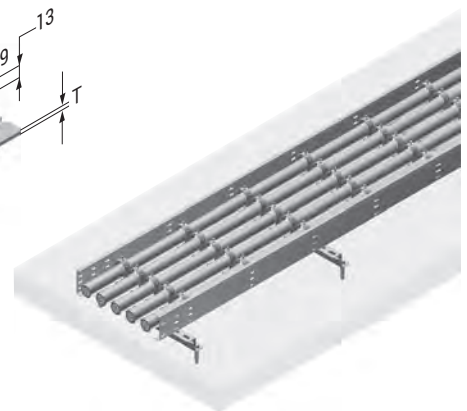
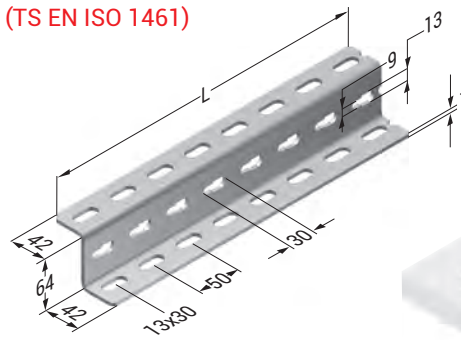


Description	H (mm)	A (mm)	T (mm)	Pack (pcs)	Weight (kg/pcs)	PG Code	Weight (kg/pcs)	HDG Code
Omega Console 1	40	100	2	10	0,150	3006359	0,165	3006360
Omega Console 2	40	200	2	10	0,205	3006371	0,226	3006372
Omega Console 3	40	300	2	10	0,262	3006373	0,288	3006374
Omega Console 4	40	410	2	10	-	-	0,516	3176675
Omega Console 5	40	510	2	10	-	-	0,610	3176676
Omega Console 6	40	610	2	10	-	-	0,930	3176678



►►Heavy Duty Supports (Z) Hot Dip Galvanized (TS EN ISO 1461)

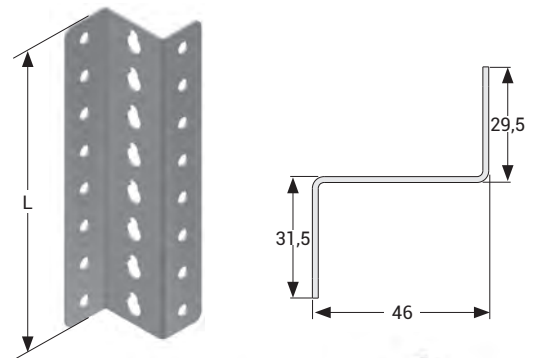
Description	T (mm)	L (mm)	Weight (kg/pcs)	HDG Code
ZPY 1000	3	1000	3,022	3004416
ZPY 1500	3	1500	4,534	3004417
ZPY 2000	3	2000	6,045	3004418
ZPY 3000	3	3000	9,068	3001957
ZPY 1000	4	1000	3,973	3004483
ZPY 1500	4	1500	5,959	3004484
ZPY 2000	4	2000	7,947	3004485
ZPY 3000	4	3000	11,920	3001958



■ After the area is cut as required, it should be painted in line with the coating procedure. (See. Accessory Page 17.)

►►Omega Wall Bracket Pre-Galvanized (TS EN 10346 - TS EN 10143), Hot Dip Galvanized (TS EN ISO 1461)

Description	L (mm)	T (mm)	Pack (pcs)	Weight (kg/pcs)	PG Code	Weight (kg/pcs)	HDG Code
ASU-Z 1000	1000	1,5	10	1,086	3086467	1,195	3086471
ASU-Z 1500	1500	1,5	10	1,628	3086468	1,791	3086472
ASU-Z 2000	2000	1,5	10	2,171	3086469	2,388	3086473
ASU-Z 3000	3000	1,5	10	3,257	3086470	3,583	3086474
ASU-Z 1000	1000	2	10	1,445	3086475	1,590	3086479
ASU-Z 1500	1500	2	10	2,168	3086476	2,385	3086480
ASU-Z 2000	2000	2	10	2,891	3086477	3,180	3086481
ASU-Z 3000	3000	2	10	4,336	3086478	4,770	3086482

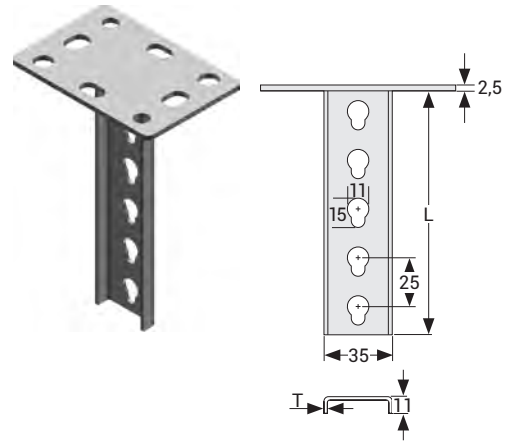
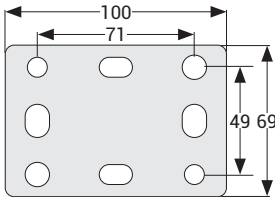


■ After the area is cut as required, it should be painted in line with the coating procedure. (See. Accessory Page 17.)

- Please contact your representative for inquiries regarding stainless steel alternatives.
- Please indicate order code in your orders.
- Please contact us for special dimensions.
- Material weights may vary by $\pm 10\%$

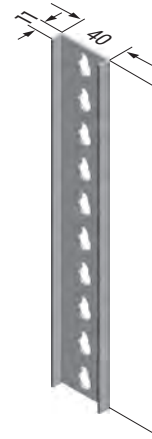
- All dimensions are given as in mm
- PG= Pre-Galvanized
- HDG= Hot Dip Galvanized

Description	T (mm)	L (mm)	Tensile Load (kg)	Pack (pcs)	Weight (kg/pcs)	HDG Code
TMP 1 Ceiling Support Unit	2	125	250	10	0,228	3008194
TMP 1 Ceiling Support Unit	2	250	250	10	0,326	3008193
TMP 1 Ceiling Support Unit	2	500	250	10	0,476	3008192



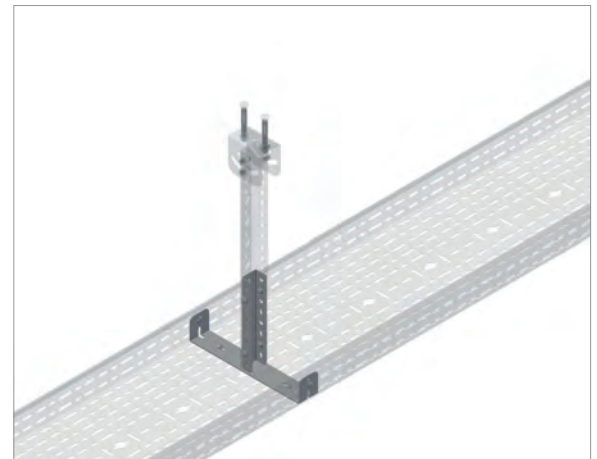
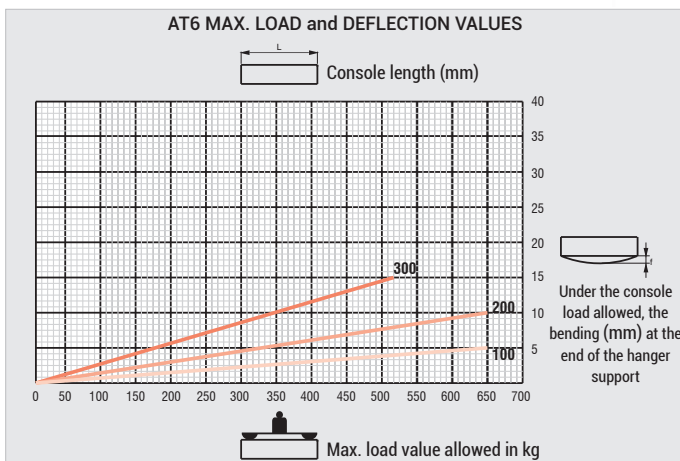
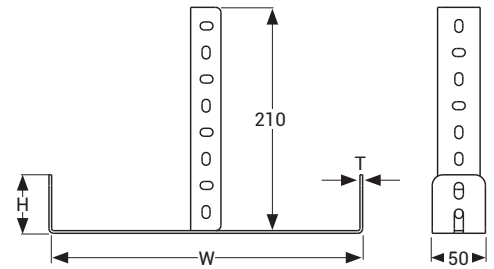
► Omega Wall Bracket Pre-Galvanized (TS EN 10346 - TS EN 10143), Hot Dip Galvanized (TS EN ISO 1461)

Description	T (mm)	L (mm)	Pack (pcs)	Weight (kg/pcs)	PG Code	Weight (kg/pcs)	HDG Code
ASU 1A-1	2	125	20	0,089	3008580	0,098	3008581
ASU 1A-2	2	250	20	0,179	3008578	0,197	3008579
ASU 1A-3	2	500	20	0,358	3008576	0,394	3008577
ASU 1A-4	2	1000	20	0,716	3008574	0,788	3008575



► Tray Supports For Threaded Rods Hot Dip Galvanized (TS EN ISO 1461)

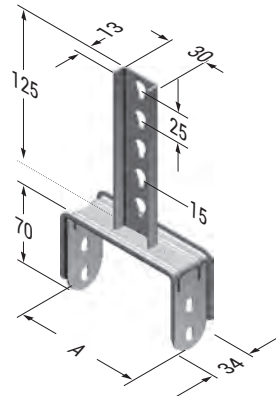
Description	T (mm)	H (mm)	W (mm)	Weight (kg/pcs)	HDG Code
40-50 AT6 100	2,5	35	95	0,450	3301107
40-50 AT6 200	2,5	35	195	0,509	3238952
40-50 AT6 300	2,5	35	295	0,667	3238953
60-75 AT6 100	2,5	55	95	0,485	3301108
60-75 AT6 200	2,5	55	195	0,591	3179917
60-75 AT6 300	2,5	55	295	0,700	3165065



- Please contact your representative for inquiries regarding stainless steel alternatives.
- Please indicate order code in your orders.
- Please contact us for special dimensions.
- Material weights may vary by ± 10%

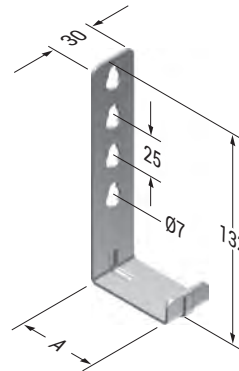
- All dimensions are given as in mm
- PG= Pre-Galvanized
- HDG= Hot Dip Galvanized

Description	A (mm)	T (mm)	Pack (pcs)	Weight (kg/pcs)	HDG Code
AT1 050	50	2	20	0,199	3008541
AT1 100	100	2	10	0,232	3008540
AT1 150	150	2	10	0,240	3008539
AT1 200	200	2	10	0,293	3008538



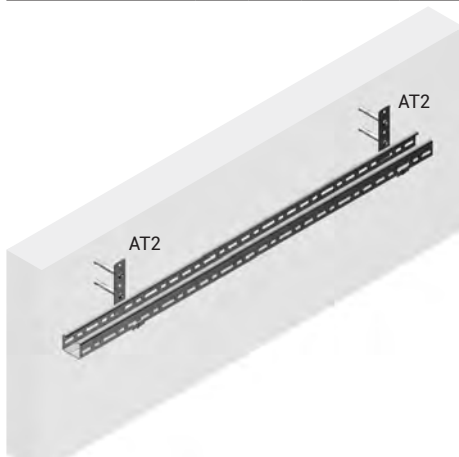
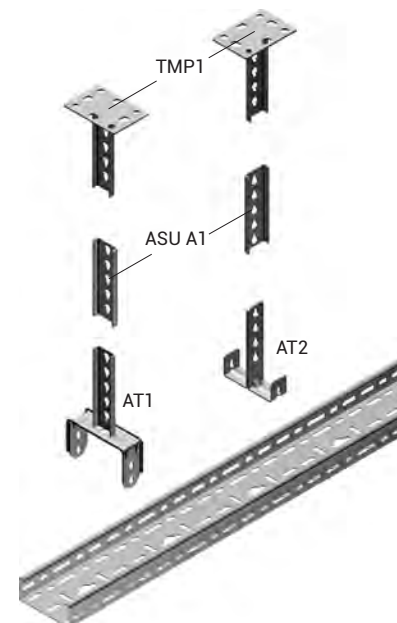
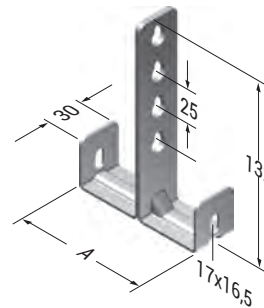
▶ Tray Support Pre-Galvanized (TS EN 10346 - TS EN 10143), Hot Dip Galvanized (TS EN ISO 1461)

Description	A (mm)	T (mm)	Pack (pcs)	Weight (kg/pcs)	PG Code	Weight (kg/pcs)	HDG Code
4 AT2 050	50	2	10	0,089	3008536	0,098	3008537



▶ Tray Supports Pre-Galvanized (TS EN 10346 - TS EN 10143), Hot Dip Galvanized (TS EN ISO 1461)

Description	A (mm)	T (mm)	Pack (pcs)	Weight (kg/tk)	PG Code	Weight (kg/tk)	HDG Code
4 AT2 100	97	2	5	0,184	3008534	0,202	3008535
4 AT2 150	147	2	5	0,208	3008532	0,228	3008533
4 AT2 200	197	2	5	0,234	3008530	0,258	3008531
6 AT2 100	97	2	5	0,202	3008261	0,222	3008262
6 AT2 150	147	2	5	0,228	3008259	0,250	3008260
6 AT2 200	197	2	5	0,252	3008528	0,278	3008529



▶ Please contact your representative for inquiries regarding stainless steel alternatives.

- Please indicate order code in your orders.
- Please contact us for special dimensions.
- Material weights may vary by ± 10%

- All dimensions are given as in mm
- PG= Pre-Galvanized
- HDG= Hot Dip Galvanized

►► OMEGA WALL BRACKET

Pregalvanized (TS EN 10346 - TS EN 10143)

Description	T (mm)	Weight (kg/pcs)	PG Code
ASU 2A BR OMEGA WALL BRACKET	4	0,277	3102914
BR 41x21 OMEGA WALL BRACKET	4	0,239	3102912
BR 41x41 OMEGA WALL BRACKET	4	0,298	3102913
KTK OMEGA WALL BRACKET	2	0,167	3102911

ASU 2A



KTK



BR 41x21

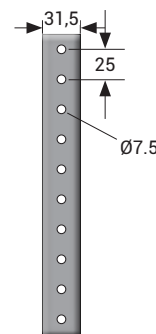
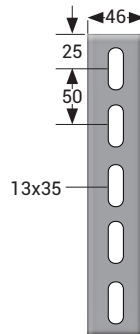


BR 41x41



► Omega Wall Bracket Pre-Galvanized (TS EN 10346 - TS EN 10143)

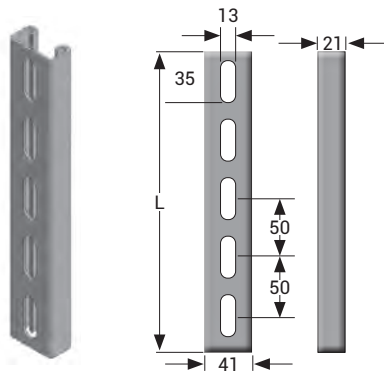
Description	L (mm)	T (mm)	Weight (kg/pcs)	PG Code
ASU 2A BR - 1	125	2	0,175	3102905
ASU 2A BR - 2	250	2	0,350	3102906
ASU 2A BR - 3	500	2	0,700	3102907
ASU 2A BR - 4	1000	2	1,400	3102908
ASU 2A BR - 5	2000	2	2,800	3102909
ASU 2A BR - 6	3000	2	4,200	3102910



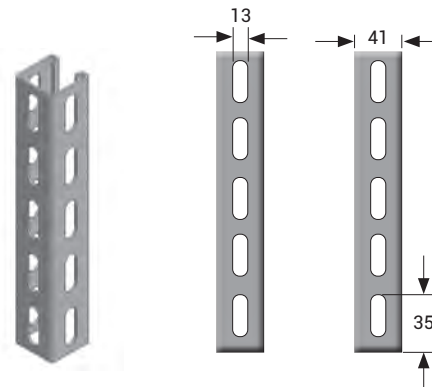
► Binrak Channel Pre-Galvanized (TS EN 10346 - TS EN 10143)

Description	T (mm)	Weight (kg/pcs)	PG Code
BR 251 BINRAK 41X21 (Slot 13x35)	1,5	1,111	3102915
BR 452 BINRAK 41X41 (Slot 13x35)	1,5	1,336	3102916

BR 251



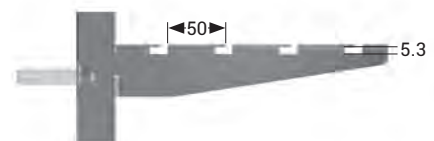
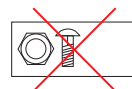
BR 452



*Please Indicate L size in your order.

► KTK Bracket Pre-Galvanized (TS EN 10346 - TS EN 10143)

Description	A (mm)	T (mm)	F max. (kg)	Weight (kg/pcs)	PG Code
KTK 100	100	2	110	0,130	3004612
KTK 200	200	2	110	0,254	3004613
KTK 300	300	2	110	0,450	3004614
KTK 400	400	2	110	0,587	3004615



* To fix the cable duct on the KTK Bracket, order 2 M6x12mm Bolt sets for each console.

* To fix the cable ladder on the KTK Bracket, order 2 pcs SE 3 fixing elements and 2 pcs M6x12mm Bolt set.

■ Please indicate order code in your orders.

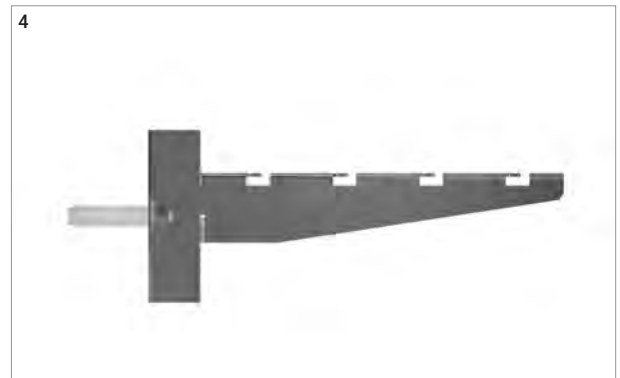
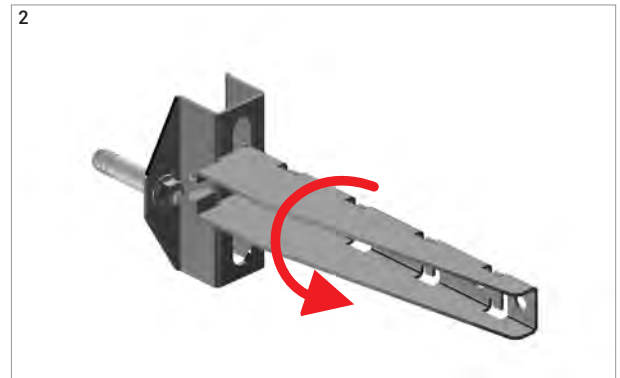
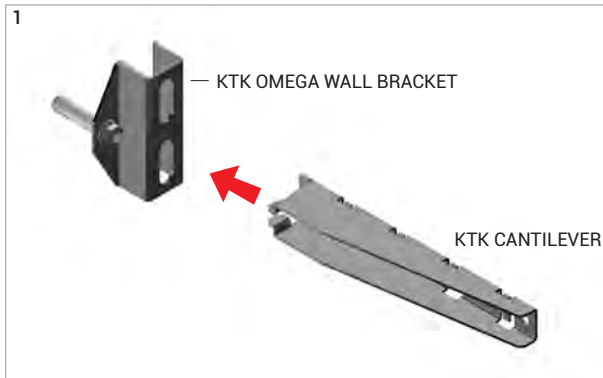
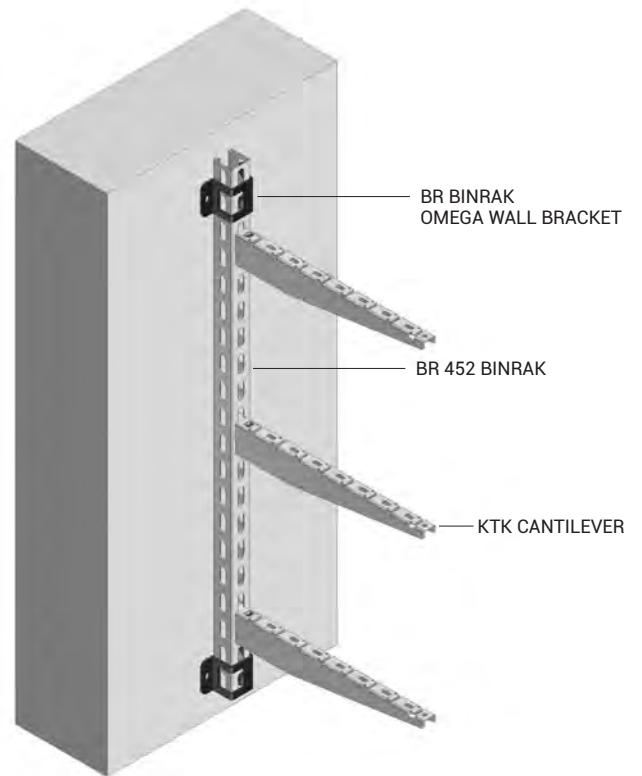
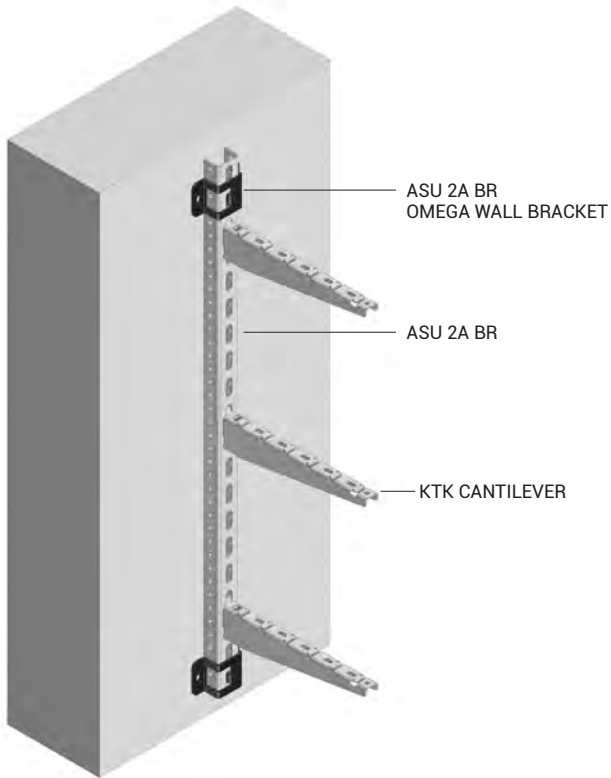
■ Please contact us for special dimensions.

■ Material weights may vary by ± 10%

■ PG= Pre-Galvanized

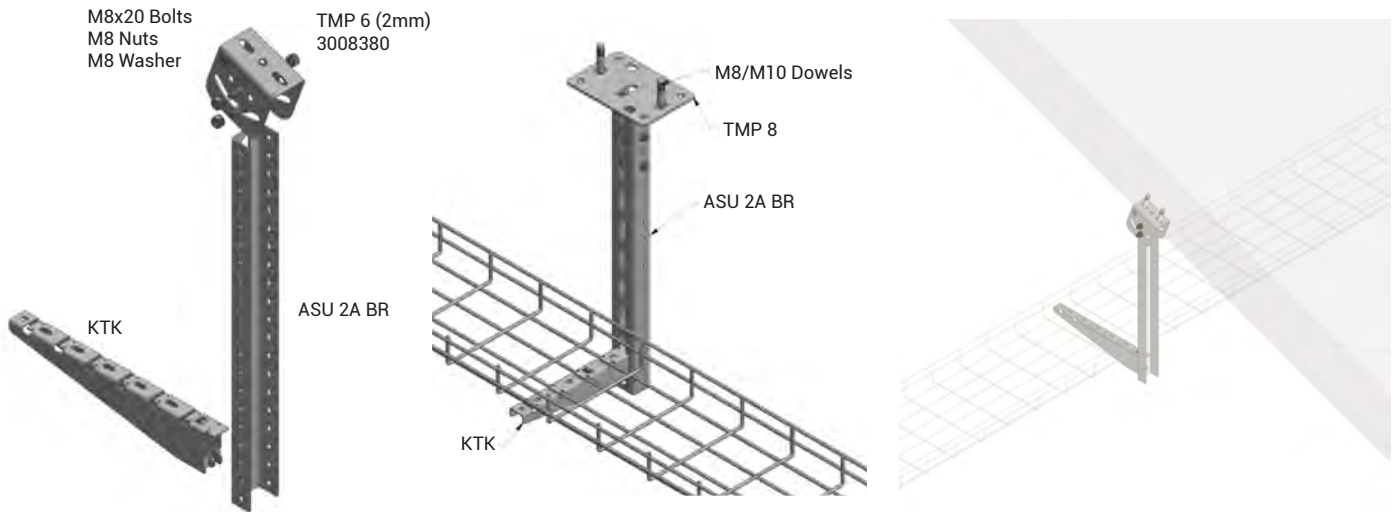
■ HDG= Hot Dip Galvanized

■ All dimensions are given as in mm

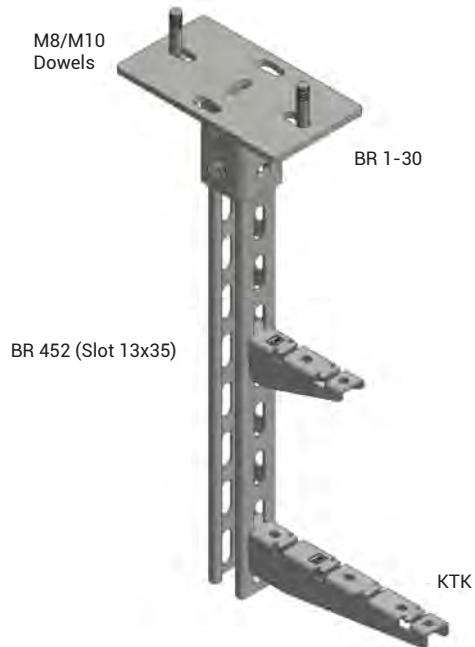
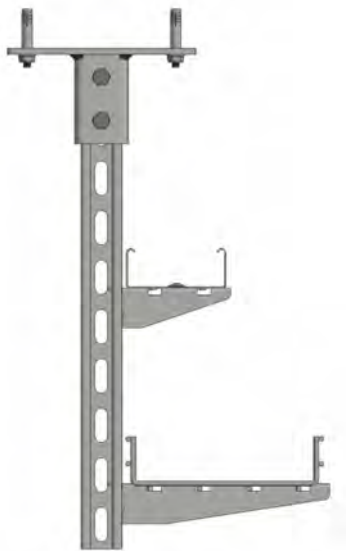


- Please contact your representative for inquiries regarding stainless steel alternatives.
- Please indicate order code in your orders.
- Please contact us for special dimensions.
- Material weights may vary by $\pm 10\%$

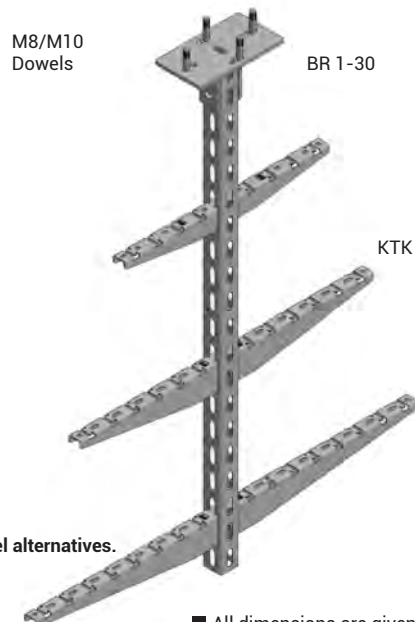
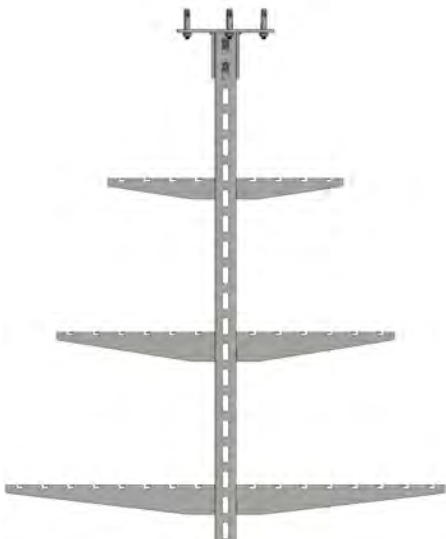
- All dimensions are given as in mm
- PG= Pre-Galvanized
- HDG= Hot Dip Galvanized



▶ ONE SIDE USING EXAMPLE



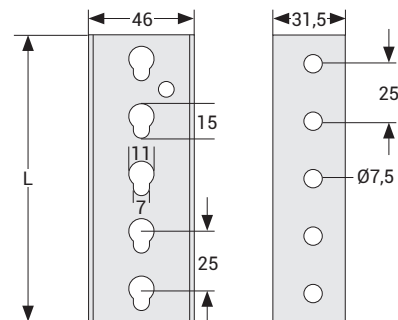
▶ TWO SIDE USING EXAMPLE



- Please contact your representative for inquiries regarding stainless steel alternatives.
- Please indicate order code in your orders.
- Please contact us for special dimensions.
- Material weights may vary by ± 10%

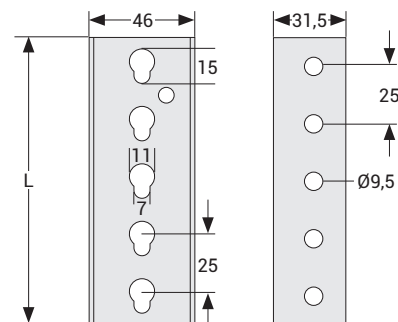
- All dimensions are given as in mm
- PG= Pre-Galvanized
- HDG= Hot Dip Galvanized

Description	L (mm)	T (mm)	Pack (pcs)	Weight (kg/pcs)	PG Code
ASU 1,5A-4	1000	1,5	10	1,113	3086455
ASU 1,5A-5	2000	1,5	10	2,225	3086457
ASU 1,5A-6	3000	1,5	20	3,338	3086458
ASU 2A-1	125	2	10	0,184	3008588
ASU 2A-2	250	2	10	0,407	3008586
ASU 2A-3	500	2	10	0,740	3008584
ASU 2A-4	1000	2	10	1,489	3008582
ASU 2A-5	2000	2	10	2,978	3008167
ASU 2A-6	3000	2	20	4,468	3008174



►► Omega Wall Bracket Hot Dip Galvanized (TS EN ISO 1461)

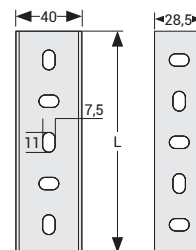
Description	L (mm)	T (mm)	Pack (pcs)	Weight (kg/pcs)	HDG Code
ASU 1,5A-4	1000	1,5	10	1,224	3086459
ASU 1,5A-5	2000	1,5	10	2,393	3086460
ASU 1,5A-6	3000	1,5	20	3,672	3086461
ASU 2A-1	125	2	10	0,202	3008589
ASU 2A-2	250	2	10	0,447	3008587
ASU 2A-3	500	2	10	0,814	3008585
ASU 2A-4	1000	2	10	1,600	3008583
ASU 2A-5	2000	2	10	3,168	3008168
ASU 2A-6	3000	2	20	4,750	3008175
ASU 3A-4	1000	3	10	2,343	3086433
ASU 3A-5	2000	3	10	4,685	3086434
ASU 3A-6	3000	3	20	7,028	3086435



►► Asu Joint Unit Pre-Galvanized (TS EN 10346 - TS EN 10143), Hot Dip Galvanized (TS EN ISO 1461)

Description	L (mm)	T (mm)	Pack (pcs)	Weight (kg/pcs)	PG Code	Weight (kg/pcs)	HDG Code
Asu Joint Unit	135	2	20	0,173	3006640	0,190	3006641

■ For the ASU joint unit, it is imperative to use a set of 8 M6x12 bolts (1004314)



Description	Weight (kg/pcs)	Product Code
Asu Protective Cap	0,005	1027657

■ Please contact your representative for inquiries regarding stainless steel alternatives.

■ Please indicate order code in your orders.

■ Please contact us for special dimensions.

■ Material weights may vary by ± 10%

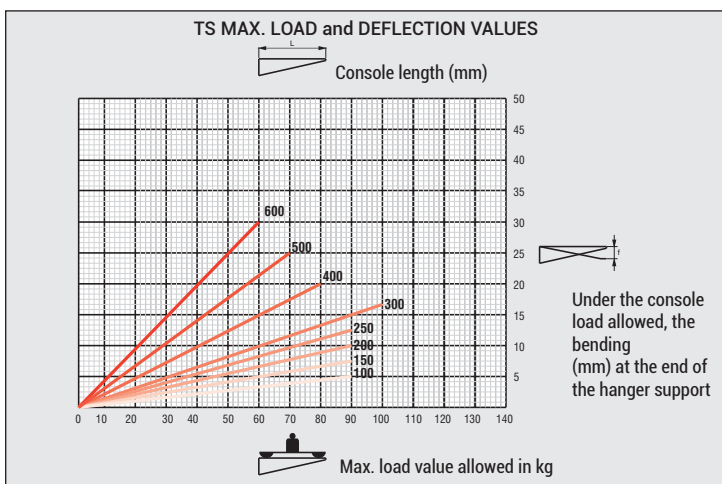
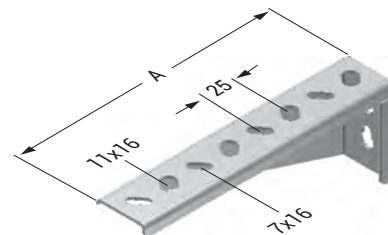
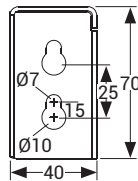
■ All dimensions are given as in mm

■ PG= Pre-Galvanized

■ HDG= Hot Dip Galvanized

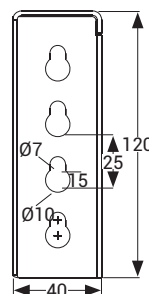
Description	A (mm)	T (mm)	Pack (pcs)	Weight (kg/pcs)	PG Code	Weight (kg/pcs)	HDG Code
TS 050	55	2	20	0,107	3008556	0,118	3008557
TS 100	105	2	20	0,165	3008554	0,182	3008555
TS 150	155	2	20	0,224	3008552	0,246	3008553
TS 200	205	2	10	0,283	3008550	0,311	3008551
TS 250	255	2	10	0,474	3008548	0,521	3008549
TS 300	305	2	10	0,552	3008546	0,607	3008547
TS 400	405	2	10	0,710	3008544	0,781	3008545
TS 500	505	2	10	0,868	3008542	0,955	3008543
TS 600	605	2	10	1,025	3005827	1,128	3005828

TS 050
TS 100
TS 150
TS 200



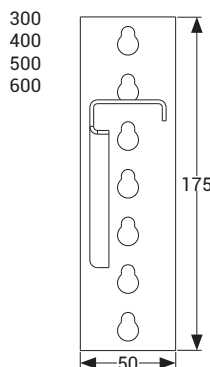
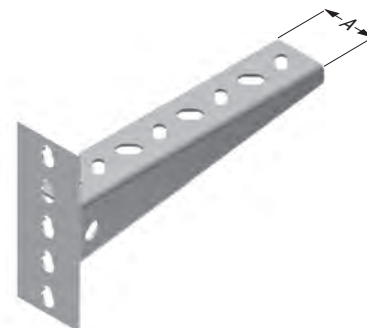
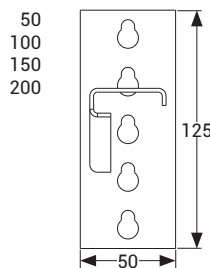
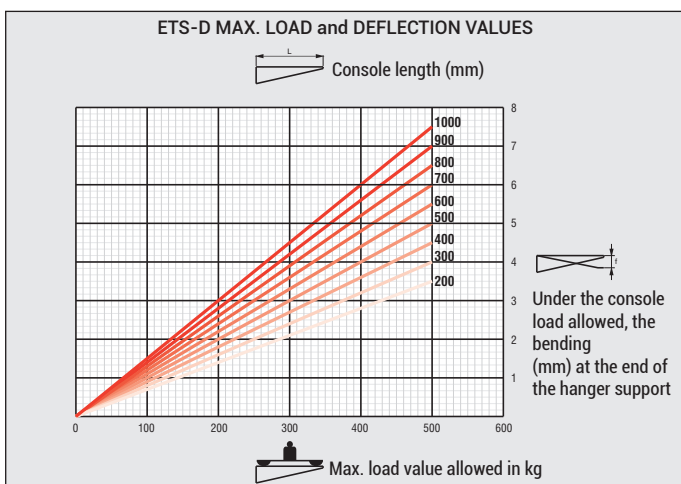
Load values in tables have been defined on the basis of the TS EN 61537 standard.

TS 250
TS 300
TS 400
TS 500
TS 600



▶ ETS-D Support Hot Dip Galvanized (TS EN ISO 1461)

Description	A (mm)	T (mm)	Weight (kg/pcs)	HDG Code
ETS-D 050 Support Fitting	70	2	0,191	3048986
ETS-D 100 Support Fitting	120	2	0,256	3048987
ETS-D 150 Support Fitting	170	2	0,325	3048988
ETS-D 200 Support Fitting	220	2	0,392	3048989
ETS-D 300 Support Fitting	320	2	0,679	3048990
ETS-D 400 Support Fitting	420	2	0,850	3048991
ETS-D 500 Support Fitting	520	2	1,021	3048992
ETS-D 600 Support Fitting	620	2	1,192	3048993



- Please contact your representative for inquiries regarding stainless steel alternatives.
- Please indicate order code in your orders.
- Please contact us for special dimensions.
- Material weights may vary by ± 10%

- All dimensions are given as in mm
- PG= Pre-Galvanized
- HDG= Hot Dip Galvanized

E-LINEA-A

▶▶ TRAY SUPPORTS

Hot Dip Galvanized (TS EN ISO 1461)



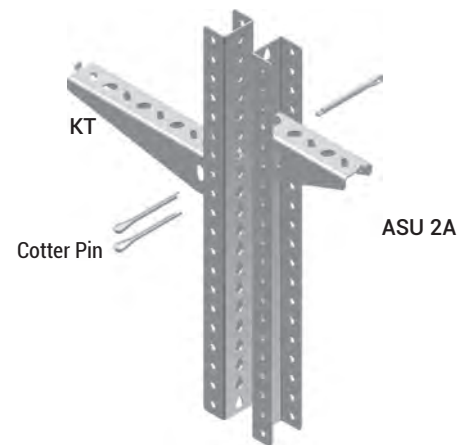
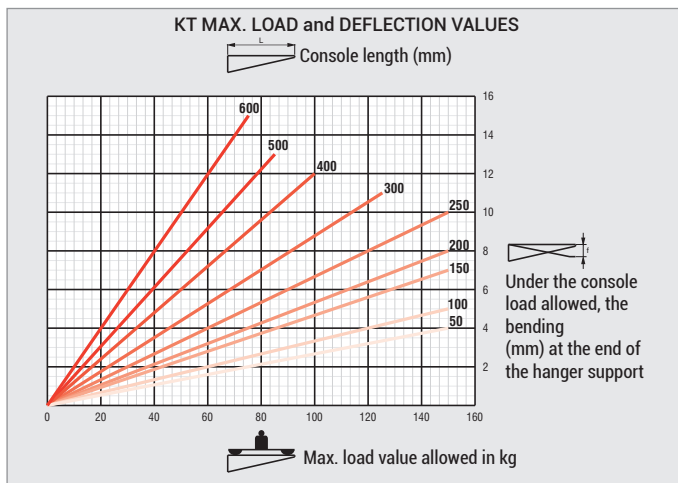
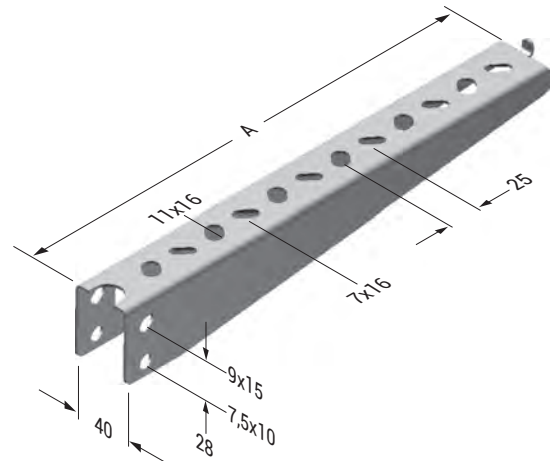
Description	T (mm)	L (mm)	Weight (kg/pcs)	HDG Code
40x40x4	4	1000	3,362	3086602
40x40x4	4	2000	6,723	3086603
40x40x4	4	3000	10,085	3086604
50x50x4	4	1000	4,398	3086608
50x50x4	4	2000	8,796	3086609
50x50x4	4	3000	13,193	3086610

U-PROFILE SAFE CARRIAGE CAPACITIES			
LOADING DIRECTION	L (mm)	Max. Load Allowed q (kg)	
		40x40x4mm	50x50x4mm
	500	400	600
	750	330	510
	1000	270	430
	1250	210	375
	1500	170	320
	1750	140	265
	2000	120	210
	2250	100	185
	2500	85	160
	2750	70	140
	3000	60	120



▶▶ KT Tray Supports Pre-Galvanized (TS EN 10346 - TS EN 10143), Hot Dip Galvanized (TS EN ISO 1461)

Description	A (mm)	T (mm)	Pack (pcs)	Weight (kg/pcs)	PG Code	Weight (kg/pcs)	HDG Code
KT 050	90	1,5	40	0,115	3008572	0,126	3008573
KT 100	140	1,5	20	0,170	3008570	0,187	3008571
KT 150	190	1,5	20	0,224	3008568	0,246	3008569
KT 200	240	1,5	20	0,281	3008566	0,309	3008567
KT 250	290	1,5	20	0,337	3008564	0,370	3008565
KT 300	340	1,5	10	0,428	3008562	0,470	3008563
KT 400	440	2	10	0,682	3008560	0,750	3008561
KT 500	540	2	10	0,840	3008558	0,924	3008559
KT 600	640	2	10	0,997	3008263	1,097	3008264



- Please indicate order code in your orders.
- Please contact us for special dimensions.
- Material weights may vary by $\pm 10\%$

■ During the KT installation, for the A size, it is advised to use a single joint pin up to 90-140-190-240, and a double joint pin from the size 290 up to 640.

- All dimensions are given as in mm
- PG= Pre-Galvanized
- HDG= Hot Dip Galvanized

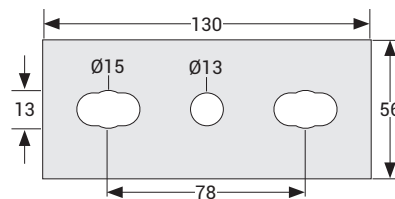
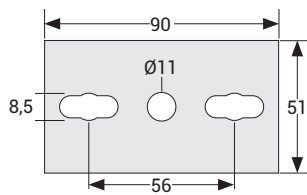
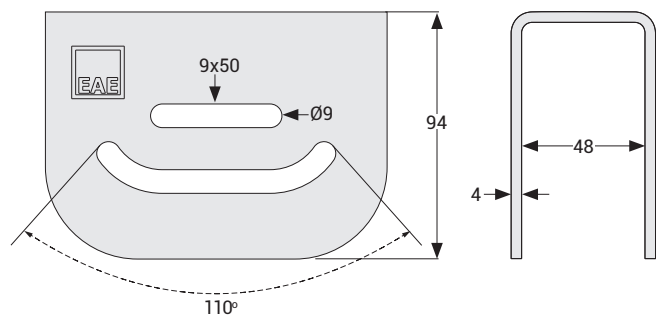
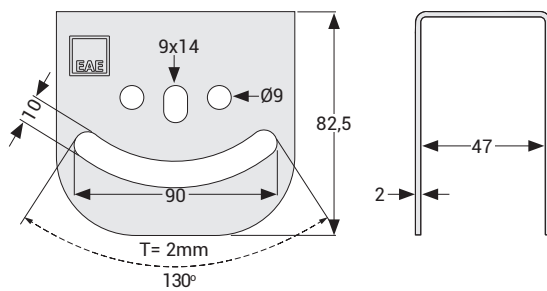
Description	T (mm)	Pack (pcs)	Weight (kg/pcs)	PG Code
TMP 6 Ceiling Support Unit	2	10	0,269	3008379

Description	T (mm)	Pack (pcs)	Weight (kg/pcs)	HDG Code
TMP 6 Ceiling Support Unit	2	10	0,296	3008380
TMP 6 Ceiling Support Unit	4	10	0,884	3006349

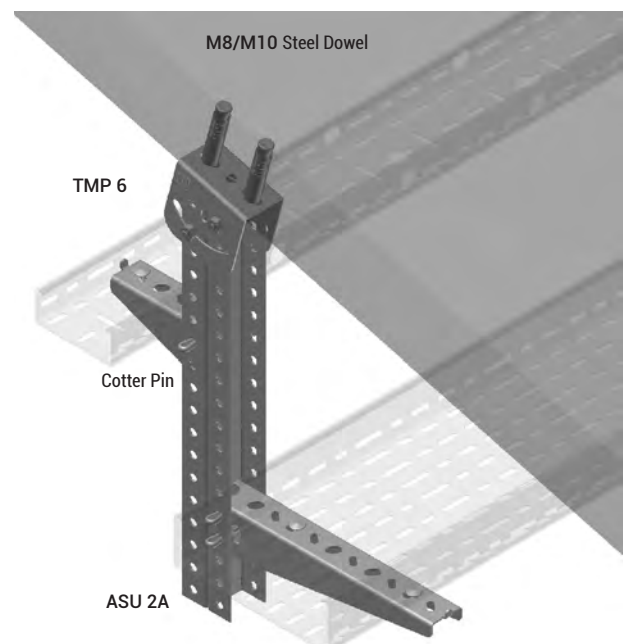
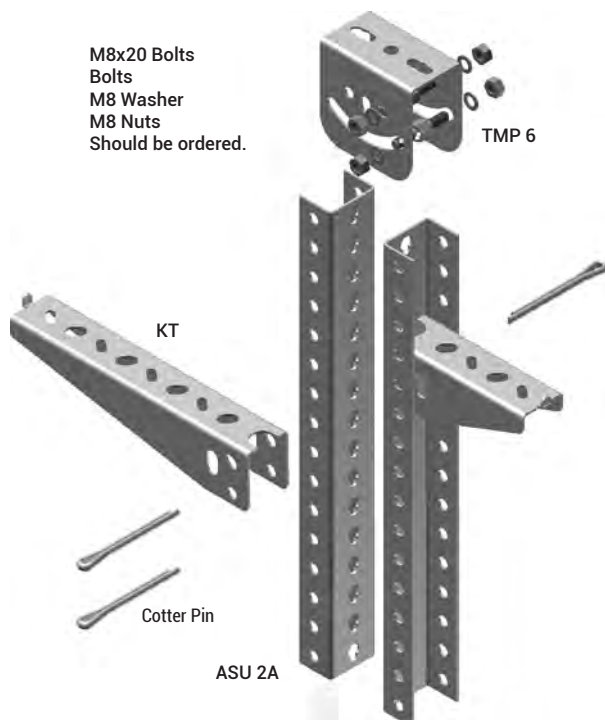
TMP 6 (2mm)



TMP 6 (4mm)



M8x20 Bolts
Bolts
M8 Washer
M8 Nuts
Should be ordered.



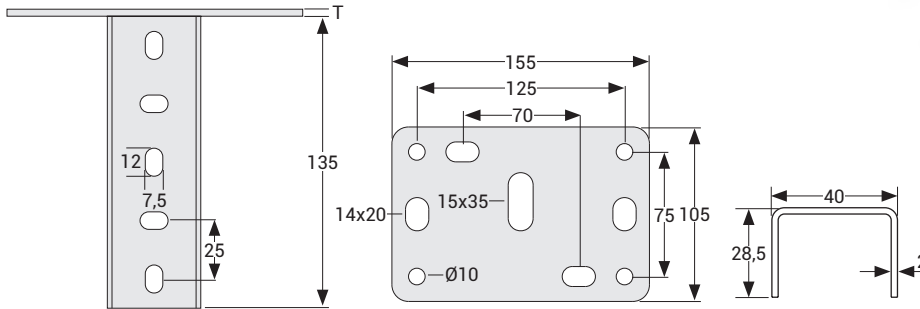
E-LINEA-A

►► CEILING MOUNTING FITTINGS

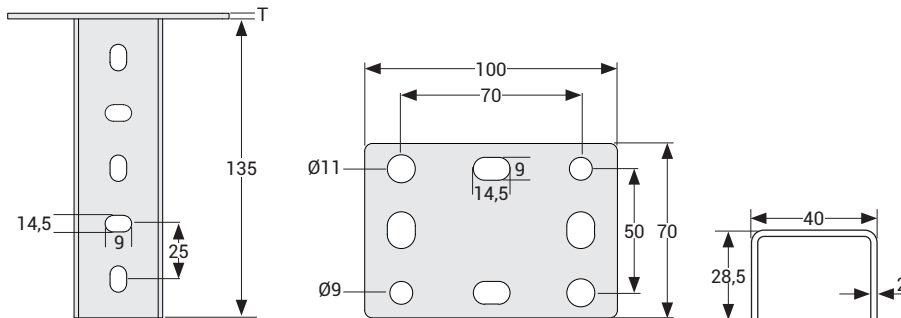
Hot Dip Galvanized (TS EN ISO 1461)



Description	T (mm)	Tensile Load (kg)	Weight (kg/pcs)	HDG Code
TMP 8 Ceiling Mounting Fittings	4	500	0,688	3008382

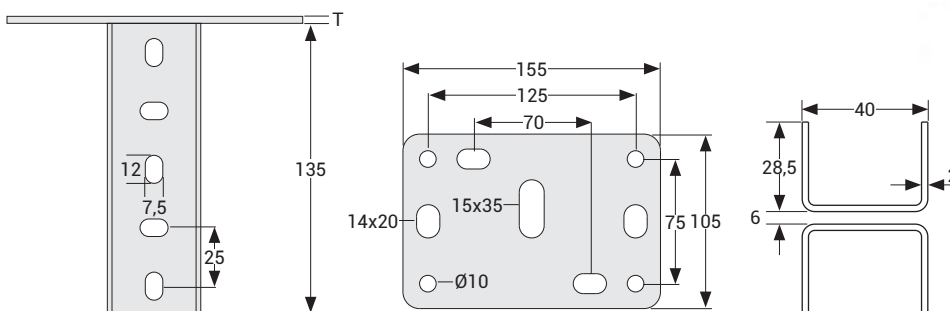


Description	T (mm)	Tensile Load (kg)	Weight (kg/pcs)	HDG Code
TMPY 8 Ceiling Support Unit	2,5	500	0,321	3164763



• Max. It is recommended to use with ASU Profiles up to 1 meter.

Description	T (mm)	Tensile Load (kg)	Weight (kg/pcs)	HDG Code
TMP 9 Ceiling Support Unit	4	500	0,877	3008383



■ Please contact your representative for inquiries regarding stainless steel alternatives.

■ Please indicate order code in your orders.

■ Please contact us for special dimensions.

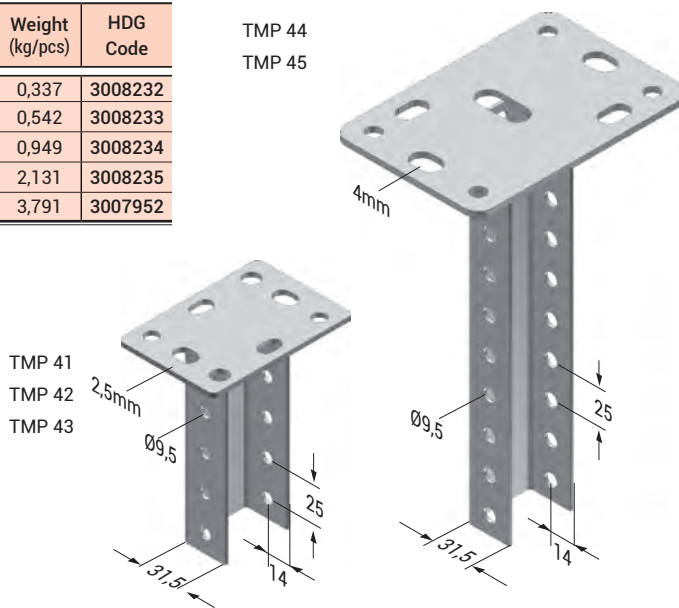
■ Material weights may vary by ± 10%

■ All dimensions are given as in mm

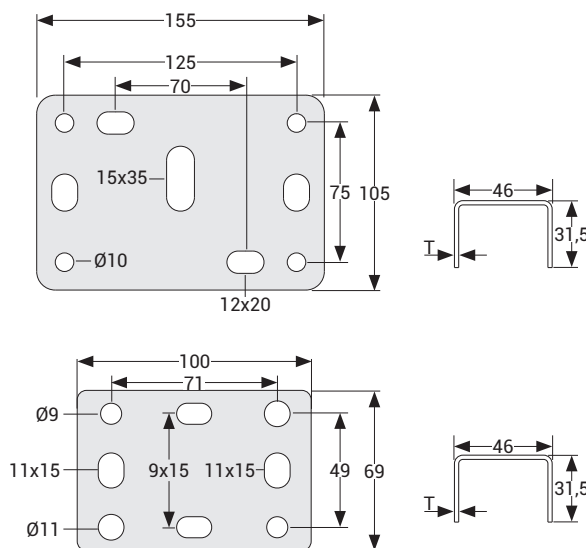
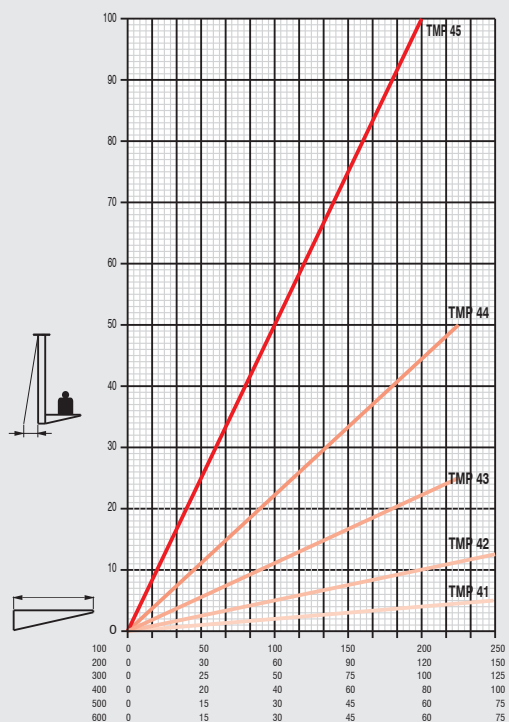
■ PG= Pre-Galvanized

■ HDG= Hot Dip Galvanized

Description	T (mm)	L (mm)	Tensile Load (kg)	Pack (pcs)	Weight (kg/pcs)	HDG Code
TMP41 Ceiling Support Unit	2	125	500	20	0,337	3008232
TMP42 Ceiling Support Unit	2	250	500	20	0,542	3008233
TMP43 Ceiling Support Unit	2	500	500	10	0,949	3008234
TMP44 Ceiling Support Unit	2	1000	500	-	2,131	3008235
TMP45 Ceiling Support Unit	2	2000	500	-	3,791	3007952



TMP 41-42-43-44-45 MAX. LOAD and DEFLECTION VALUES



	Max. load value allowed in kg
	Console length (mm)
	Hanger support distances as indicated in our product Standard
	Under the console load allowed, the bending (mm) at the end of the hanger support

Load values in tables have been defined on the basis of the TS EN 61537 standard.

■ Please contact your representative for inquiries regarding stainless steel alternatives.

■ Please indicate order code in your orders.

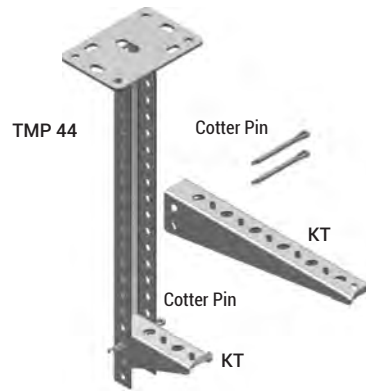
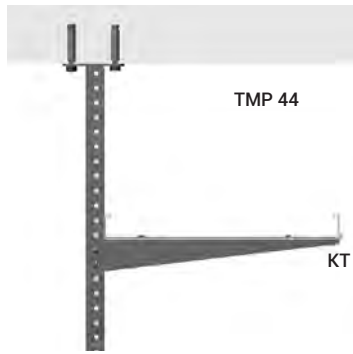
■ Please contact us for special dimensions.

■ Material weights may vary by ± 10%

■ All dimensions are given as in mm

■ PG= Pre-Galvanized

■ HDG= Hot Dip Galvanized

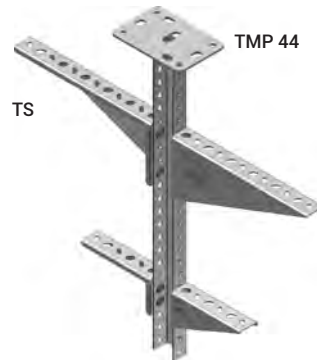
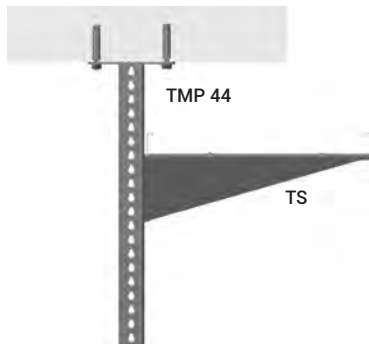


Single-Sided 1 Row	VERTICAL HANGER: TMP 41 / TMP 45 Series			P (kg) MAXIMUM LOAD ALLOWED IN SINGLE-SIDED LOADING CONDITION					
	Type	L (mm)	Fz max. (kg)	A (Console Length)					
				100	200	300	400	500	600
	TMP 41	125	500	240	220	200	180	160	140
	TMP 42	250		240	220	200	180	160	140
	TMP 43	500		240	220	200	180	160	140
	TMP 44	1000		220	200	180	150	120	100
	TMP 45	2000		140	120	100	80	70	60

Double-Sided 1 Row	VERTICAL HANGER: TMP 41 / TMP 45 Series			P (kg) MAXIMUM LOAD ALLOWED IN DOUBLE-SIDED LOADING CONDITION					
	Type	L (mm)	Fz max. (kg)	A (Console Length)					
				100	200	300	400	500	600
	TMP 41	125	500	250	250	250	250	250	250
	TMP 42	250		250	250	250	250	250	250
	TMP 43	500		250	250	250	250	250	250
	TMP 44	1000		250	250	250	250	250	250
	TMP 45	2000		250	250	250	250	250	250

Single-Sided 2 Row	VERTICAL HANGER: TMP 41 / TMP 45 Series			P (kg) MAXIMUM LOAD ALLOWED IN SINGLE-SIDED LOADING CONDITION					
	Type	L (mm)	Fz max. (kg)	A (Console Length)					
				100	200	300	400	500	600
	TMP 41	125	500	120	110	100	90	80	70
	TMP 42	250		120	110	100	90	80	70
	TMP 43	500		120	110	100	90	80	70
	TMP 44	1000		110	100	90	75	60	50
	TMP 45	2000		70	60	50	40	35	30

Double-Sided 2 Row	VERTICAL HANGER: TMP 41 / TMP 45 Series			P (kg) MAXIMUM LOAD ALLOWED IN DOUBLE-SIDED LOADING CONDITION					
	Type	L (mm)	Fz max. (kg)	A (Console Length)					
				100	200	300	400	500	600
	TMP 41	125	500	125	125	125	125	125	125
	TMP 42	250		125	125	125	125	125	125
	TMP 43	500		125	125	125	125	125	125
	TMP 44	1000		125	125	125	125	125	125
	TMP 45	2000		125	125	125	125	125	125



During the KT installation, for the A size, it is advised to use a single joint pin up to 90-140-190-240 and a double joint pin from the size 290 up to 640.

Single-Sided 1 Row	VERTICAL HANGER: TMP 41 / TMP 45 Series			P (kg) MAXIMUM LOAD ALLOWED IN SINGLE-SIDED LOADING CONDITION					
	Type	L (mm)	Fz max. (kg)	A (Console Length)					
				100-250	300	400	500	600	
	TMP 41	125	500	90	100	80	70	60	
	TMP 42	250		90	100	80	70	60	
	TMP 43	500		90	100	80	70	60	
	TMP 44	1000		90	100	80	70	60	
	TMP 45	2000		90	100	80	70	60	

Double-Sided 1 Row	VERTICAL HANGER: TMP 41 / TMP 45 Series			P (kg) MAXIMUM LOAD ALLOWED IN DOUBLE-SIDED LOADING CONDITION					
	Type	L (mm)	Fz max. (kg)	A (Console Length)					
				100-250	300	400	500	600	
	TMP 41	125	500	90	100	80	70	60	
	TMP 42	250		90	100	80	70	60	
	TMP 43	500		90	100	80	70	60	
	TMP 44	1000		90	100	80	70	60	
	TMP 45	2000		90	100	80	70	60	

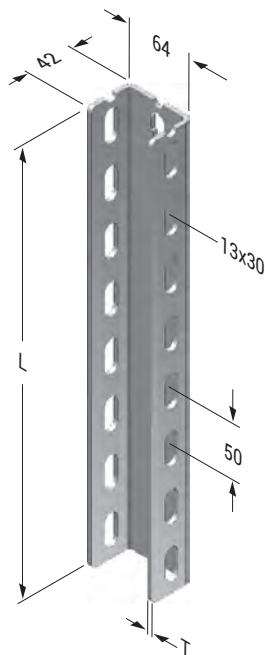
Single-Sided 2 Row	VERTICAL HANGER: TMP 41 / TMP 45 Series			P (kg) MAXIMUM LOAD ALLOWED IN SINGLE-SIDED LOADING CONDITION					
	Type	L (mm)	Fz max. (kg)	A (Console Length)					
				100-250	300	400	500	600	
	TMP 41	125	500	90	100	70	70	60	
	TMP 42	250		90	100	70	70	60	
	TMP 43	500		90	100	70	70	60	
	TMP 44	1000		90	90	70	60	50	
	TMP 45	2000		80	60	50	40	30	

Double-Sided 2 Row	VERTICAL HANGER: TMP 41 / TMP 45 Series			P (kg) MAXIMUM LOAD ALLOWED IN DOUBLE-SIDED LOADING CONDITION					
	Type	L (mm)	Fz max. (kg)	A (Console Length)					
				100-250	300	400	500	600	
	TMP 41	125	500	90	100	80	70	60	
	TMP 42	250		90	100	80	70	60	
	TMP 43	500		90	100	80	70	60	
	TMP 44	1000		90	100	80	70	60	
	TMP 45	2000		90	100	80	70	60	

- Please indicate order code in your orders.
- Please contact us for special dimensions.
- Material weights may vary by ± 10%

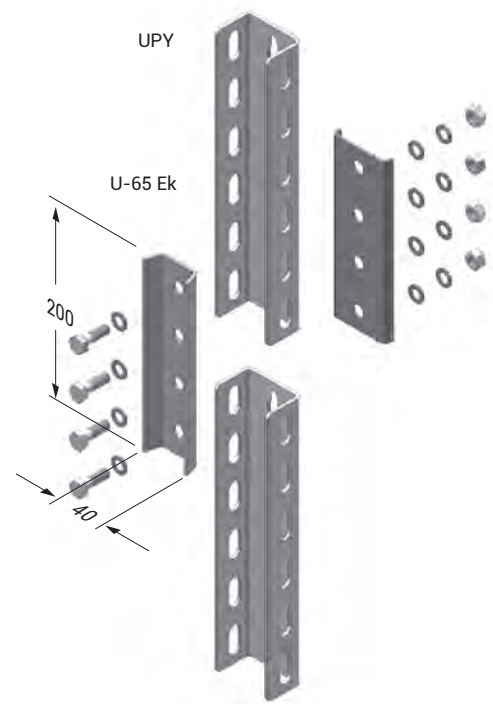
- All dimensions are given as in mm
- PG= Pre-Galvanized
- HDG= Hot Dip Galvanized

Description	T (mm)	L (mm)	Weight (kg/pcs)	HDG Code
UPY 150	3	150	0,451	3004419
UPY 300	3	300	0,902	3004420
UPY 400	3	400	1,203	3004422
UPY 500	3	500	1,507	3004424
UPY 600	3	600	1,804	3004426
UPY 700	3	700	2,112	3004428
UPY 800	3	800	2,398	3004429
UPY 900	3	900	2,695	3004430
UPY 1000	3	1000	3,037	3004431
UPY 1100	3	1100	3,307	3004432
UPY 1200	3	1200	3,608	3004433
UPY 1300	3	1300	3,905	3004434
UPY 1400	3	1400	4,202	3004435
UPY 1500	3	1500	4,555	3004436
UPY 1600	3	1600	4,818	3004437
UPY 1700	3	1700	5,115	3004438
UPY 1800	3	1800	5,412	3004439
UPY 1900	3	1900	5,712	3004440
UPY 2000	3	2000	6,012	3004441
UPY 3000	3	3000	9,020	3001953
UPY 150	4	150	0,586	3004486
UPY 300	4	300	1,172	3004487
UPY 400	4	400	1,562	3004489
UPY 500	4	500	1,956	3004491
UPY 600	4	600	2,343	3004493
UPY 700	4	700	2,728	3004495
UPY 800	4	800	3,124	3004496
UPY 900	4	900	3,515	3004497
UPY 1000	4	1000	3,945	3004498
UPY 1100	4	1100	4,296	3004499
UPY 1200	4	1200	4,686	3004500
UPY 1300	4	1300	5,071	3004501
UPY 1400	4	1400	5,467	3004502
UPY 1500	4	1500	5,917	3004503
UPY 1600	4	1600	6,248	3004504
UPY 1700	4	1700	6,633	3004505
UPY 1800	4	1800	7,029	3004506
UPY 1900	4	1900	7,414	3004507
UPY 2000	4	2000	7,811	3004508
UPY 3000	4	3000	11,716	3001954



Following items shall be ordered for the installation of the UPY Console attachment:

- I-80 I Profile attachment, 1 piece
- I-65 U Profile fitting, 1 piece
- M10x30 Bolts, 4 pieces
- M10 Nuts, 4 pieces
- M10 Washers, 8 pieces
- M10 Spring washers, 4 pieces.

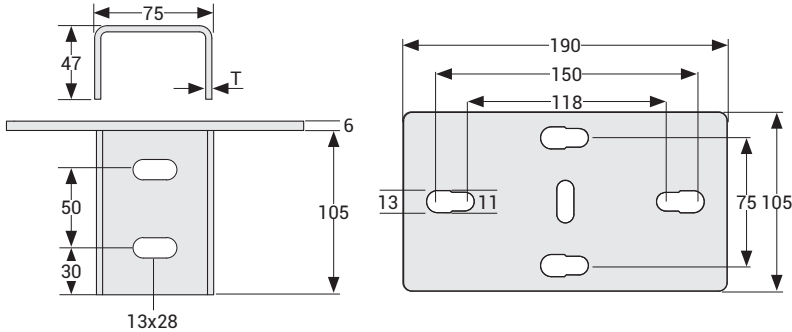


UPY-PROFILE SAFE CARRIAGE CAPACITIES			
LOADING DIRECTION	L (mm)	Max. Load Allowed q (kg)	
		UPY - 3mm	UPY - 4mm
	500	700	800
	750	590	700
	1000	480	600
	1250	400	500
	1500	320	400
	1750	280	340
	2000	240	300
	2250	210	260
	2500	185	225
	2750	170	210
	3000	160	200

- Please contact your representative for inquiries regarding stainless steel alternatives.
- Please indicate order code in your orders.
- Please contact us for special dimensions.
- Material weights may vary by ± 10%

- All dimensions are given as in mm
- PG= Pre-Galvanized
- HDG= Hot Dip Galvanized

Description	T (mm)	Tensile Load (kg)	Pack (pcs)	Weight (kg/pcs)	HDG Code
TMP 2	4	900	10	1,454	3086553

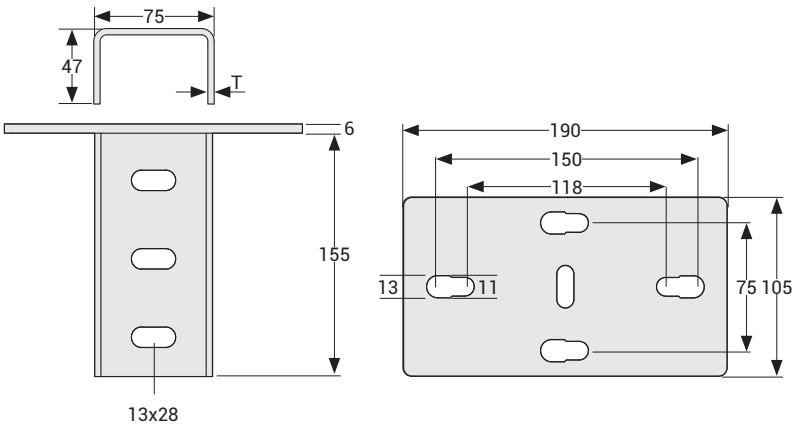


TMP 2 Fixing Element Mounting;
 4 pcs M10x30 Bolt
 8 pcs M10 Washer
 4 pcs M10 Spring Washers
 4 pcs M10 Nuts should be used.

■ This product is suitable for use with the UPY profile.

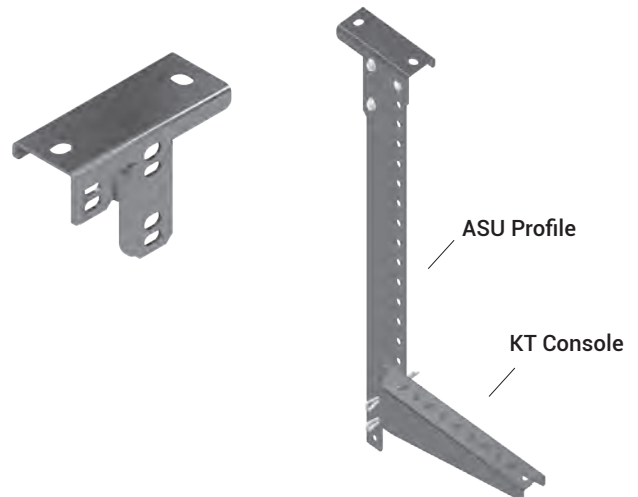
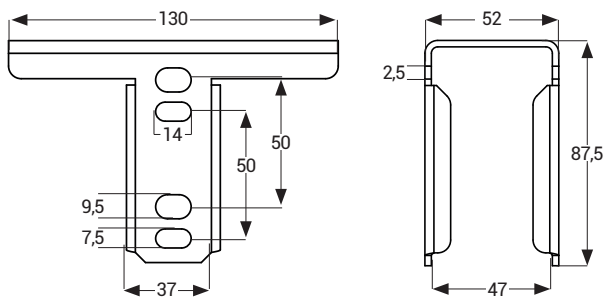
Description	T (mm)	Tensile Load (kg)	Pack (pcs)	Weight (kg/pcs)	HDG Code
TMP 3	4	900	10	1,689	3086554

TMP 3 Fixing Element Mounting;
 6 pcs M10x30 Bolts
 12 pcs M10 Washers
 6 pcs M10 Spring Washers
 6 pcs M10 Nuts should be used.



■ This product is suitable for use with the UPY profile.

Description	T (mm)	Tensile Load (kg)	PG Code
TMP 11 Ceiling/Floor Fixing Single	2,5	0,298	3333454



- Please contact your representative for inquiries regarding stainless steel alternatives.
- Please indicate order code in your orders.
- Please contact us for special dimensions.
- Material weights may vary by $\pm 10\%$

- All dimensions are given as in mm
- PG= Pre-Galvanized
- HDG= Hot Dip Galvanized

E-LINEA-A

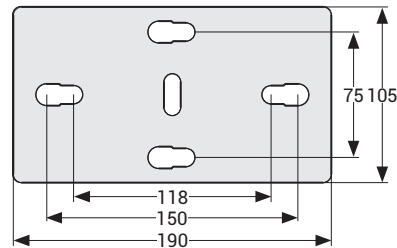
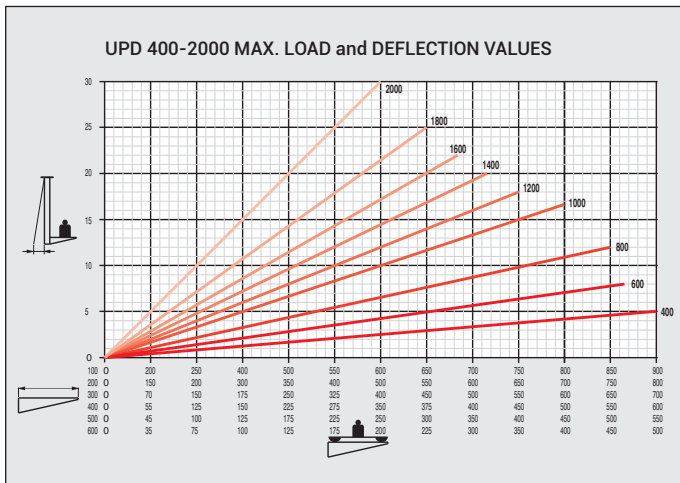
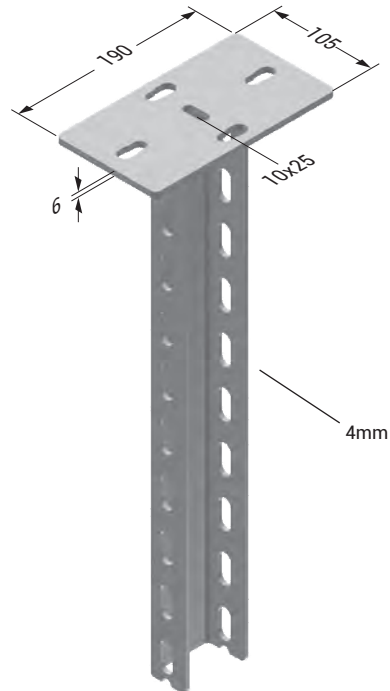
►► U HEAVY DUTY SUPPORTS

Hot Dip Galvanized (TS EN ISO 1461)



A-A

Description	L (mm)	Tensile Load (kg)	Weight (kg/pcs)	HDG Code
UPD 300	300	900	2,101	3004510
UPD 400	400	900	2,497	3004512
UPD 500	500	900	2,882	3004514
UPD 600	600	900	3,267	3004516
UPD 700	700	900	3,674	3004518
UPD 800	800	900	4,056	3004519
UPD 900	900	900	4,451	3004520
UPD 1000	1000	900	4,837	3004521
UPD 1100	1100	900	5,226	3004522
UPD 1200	1200	900	5,610	3004523
UPD 1300	1300	900	6,006	3004524
UPD 1400	1400	900	6,391	3004525
UPD 1500	1500	900	6,787	3004526
UPD 1600	1600	900	7,172	3004527
UPD 1700	1700	900	7,570	3004528
UPD 1800	1800	900	7,960	3004529
UPD 1900	1900	900	8,349	3004530
UPD 2000	2000	900	8,741	3004531



Description	Weight (kg/pcs)	Product Code
UPY Protective Cap	0,007	1027654



- Please contact your representative for inquiries regarding stainless steel alternatives.
- Please indicate order code in your orders.
- Please contact us for special dimensions.
- Material weights may vary by ± 10%

- All dimensions are given as in mm
- PG= Pre-Galvanized
- HDG= Hot Dip Galvanized

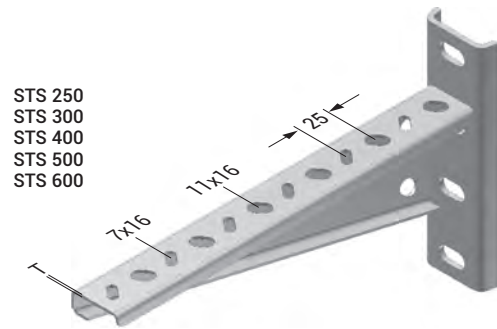
E-LINEA-A

►► STS TRAY SUPPORTS

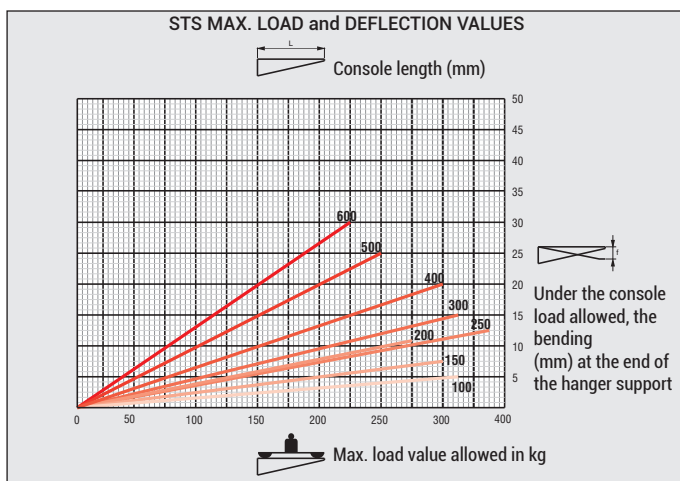
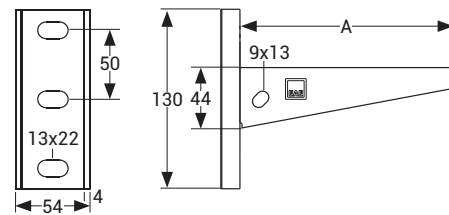
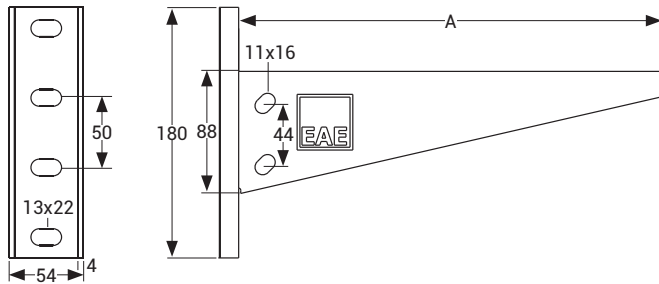
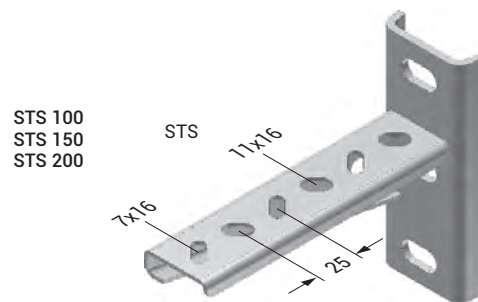
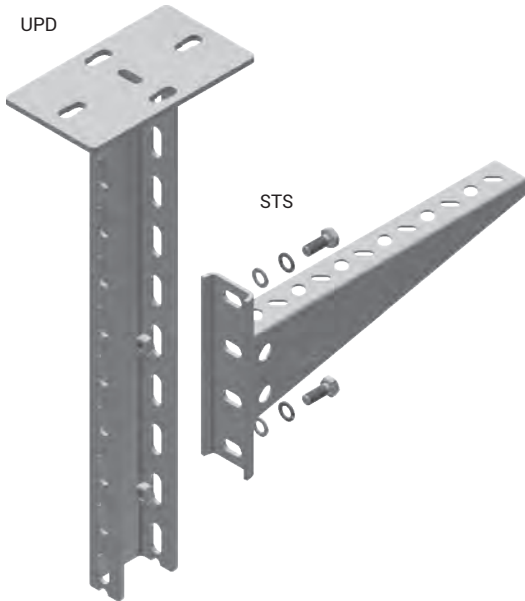
Hot Dip Galvanized (TS EN ISO 1461)



Description	A (mm)	T (mm)	Pack (set)	Weight (kg/pcs)	HDG Code
STS 100	120	2	10	0,398	3008015
STS 150	170	2	10	0,474	3008016
STS 200	220	2	10	0,539	3008017
STS 250	270	2	10	0,814	3008018
STS 300	320	2	10	0,920	3008019
STS 400	420	2	10	1,026	3008020
STS 500	520	2	10	1,262	3008021
STS 600	620	2	10	1,425	3008022



UPD



- Please indicate order code in your orders.
- Please contact us for special dimensions.
- Material weights may vary by $\pm 10\%$

- All dimensions are given as in mm
- PG= Pre-Galvanized
- HDG= Hot Dip Galvanized

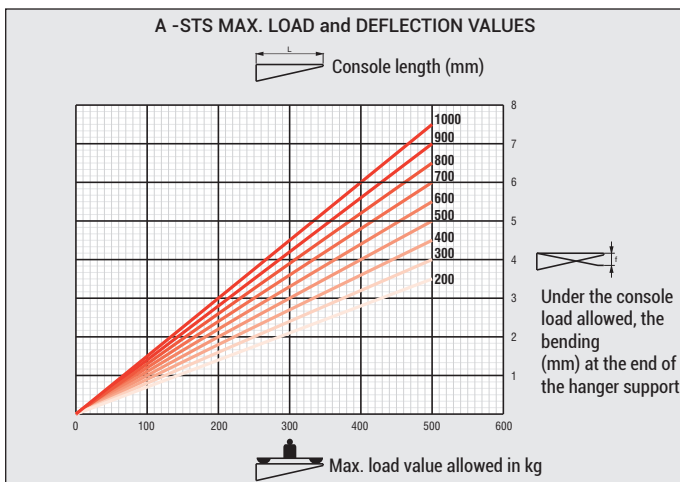
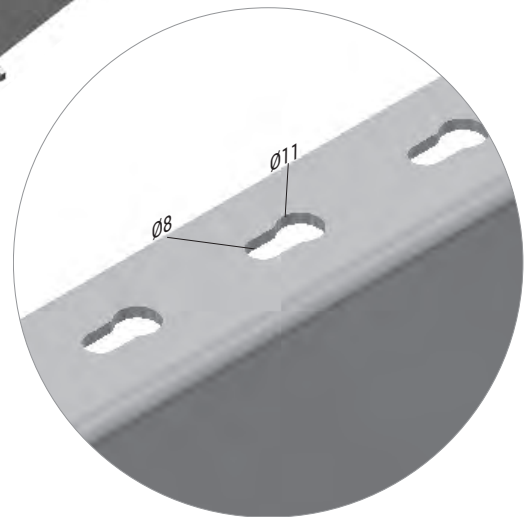
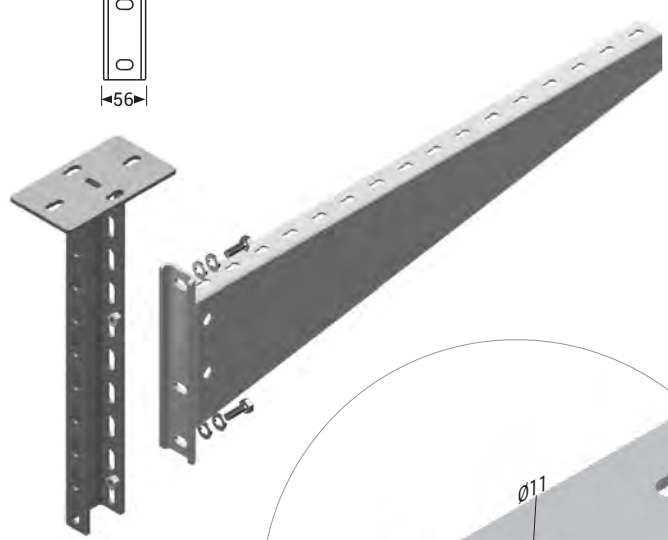
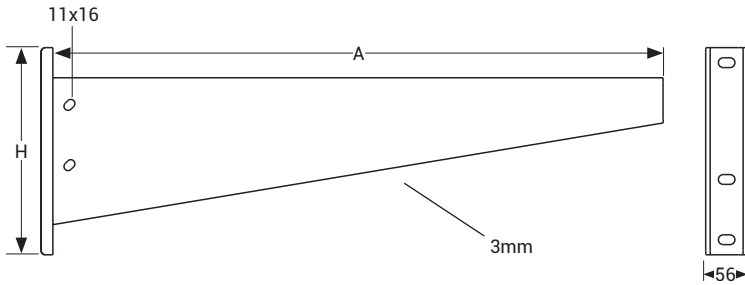
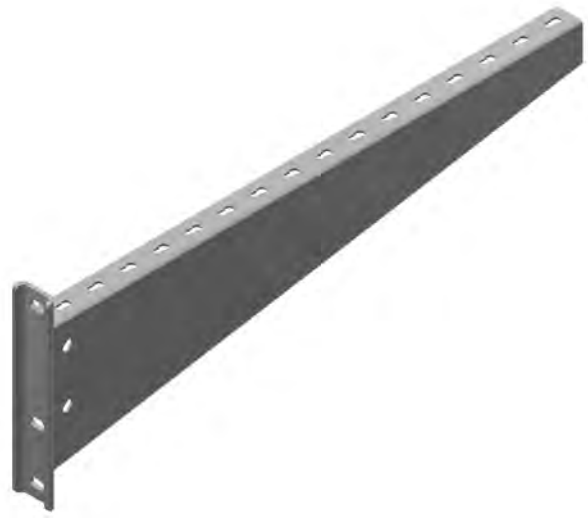
E-LINEA-A

►►A-STTS TRAY SUPPORTS

Hot Dip Galvanized (TS EN ISO 1461)



Description	A (mm)	H (mm)	T (mm)	Weight (kg/pcs)	HDG Code																					
A-STTS 200	230	190	3	1,418	3108835																					
A-STTS 300	330	190	3	1,859	3108836																					
A-STTS 400	430	240	3	2,522	3108837																					
A-STTS 500	530	240	3	3,032	3108838																					
A-STTS 600	630	240 </tr <tr> <td>A-STTS 700</td> <td>730</td> <td>290</td> <td>3</td> <td>4,623</td> <td>3108840</td> </tr> <tr> <td>A-STTS 800</td> <td>830</td> <td>290</td> <td>3</td> <td>5,125</td> <td>3108841</td> </tr> <tr> <td>A-STTS 900</td> <td>930</td> <td>290</td> <td>3</td> <td>5,628</td> <td>3108842</td> </tr> <tr> <td>A-STTS 1000</td> <td>1030</td> <td>290</td> <td>3</td> <td>6,129</td> <td>3108843</td> </tr>	A-STTS 700	730	290	3	4,623	3108840	A-STTS 800	830	290	3	5,125	3108841	A-STTS 900	930	290	3	5,628	3108842	A-STTS 1000	1030	290	3	6,129	3108843
A-STTS 700	730	290	3	4,623	3108840																					
A-STTS 800	830	290	3	5,125	3108841																					
A-STTS 900	930	290	3	5,628	3108842																					
A-STTS 1000	1030	290	3	6,129	3108843																					



- Please contact your representative for inquiries regarding stainless steel alternatives.
- Please indicate order code in your orders.
- Please contact us for special dimensions.
- Material weights may vary by $\pm 10\%$

- All dimensions are given as in mm
- PG= Pre-Galvanized
- HDG= Hot Dip Galvanized

UPD HANGER CARRIAGE VALUES

Single-Sided 1 Row	UPD VERTICAL HANGER			P (kg) MAXIMUM LOAD ALLOWED IN SINGLE-SIDED LOADING CONDITION					
	Type	L (mm)	Fz max. (kg)	A (Console Length)					
				100	200	300	400	500	600
	UPD 500	500	900	900	800	700	600	550	500
	UPD 1000	1000		800	700	600	500	450	400
	UPD 1500	1500		700	600	500	400	350	300
	UPD 2000	2000		600	500	400	350	250	200

Double-Sided 1 Row	UPD VERTICAL HANGER			P (kg) MAXIMUM LOAD ALLOWED IN SINGLE-SIDED LOADING CONDITION					
	Type	L (mm)	Fz max. (kg)	A (Console Length)					
				100	200	300	400	500	600
	UPD 500	500	900	450	450	450	450	450	450
	UPD 1000	1000		450	450	450	450	450	450
	UPD 1500	1500		450	450	450	450	450	450
	UPD 2000	2000		450	450	450	450	450	450

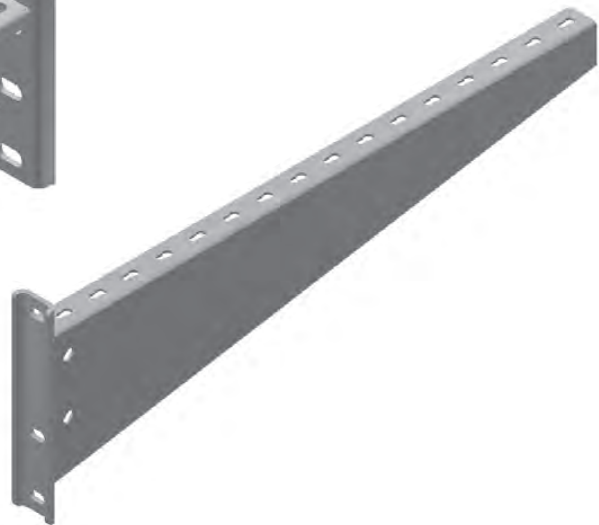
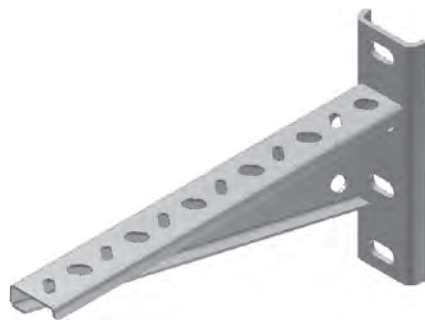
Single-Sided 2 Row	UPD VERTICAL HANGER			P (kg) MAXIMUM LOAD ALLOWED IN SINGLE-SIDED LOADING CONDITION					
	Type	L (mm)	Fz max. (kg)	A (Console Length)					
				100	200	300	400	500	600
	UPD 500	500	900	450	400	350	300	275	250
	UPD 1000	1000		400	350	300	250	225	200
	UPD 1500	1500		350	300	250	200	175	150
	UPD 2000	2000		300	250	200	175	125	100

Double-Sided 2 Row	UPD VERTICAL HANGER			P (kg) MAXIMUM LOAD ALLOWED IN SINGLE-SIDED LOADING CONDITION					
	Type	L (mm)	Fz max. (kg)	A (Console Length)					
				100	200	300	400	500	600
	UPD 500	500	900	225	225	225	225	225	225
	UPD 1000	1000		225	225	225	225	225	225
	UPD 1500	1500		225	225	225	225	225	225
	UPD 2000	2000		225	225	225	225	225	225

Single-Sided 3 Row	UPD VERTICAL HANGER			P (kg) MAXIMUM LOAD ALLOWED IN SINGLE-SIDED LOADING CONDITION					
	Type	L (mm)	Fz max. (kg)	A (Console Length)					
				100	200	300	400	500	600
	UPD 500	500	900	300	265	230	200	180	165
	UPD 1000	1000		265	230	200	165	150	130
	UPD 1500	1500		230	200	165	130	115	100
	UPD 2000	2000		200	165	130	115	80	65

Double-Sided 3 Row	UPD VERTICAL HANGER			P (kg) MAXIMUM LOAD ALLOWED IN SINGLE-SIDED LOADING CONDITION					
	Type	L (mm)	Fz max. (kg)	A (Console Length)					
				100	200	300	400	500	600
	UPD 500	500	900	150	150	150	150	150	150
	UPD 1000	1000		150	150	150	150	150	150
	UPD 1500	1500		150	150	150	150	150	150
	UPD 2000	2000		150	150	150	150	150	150

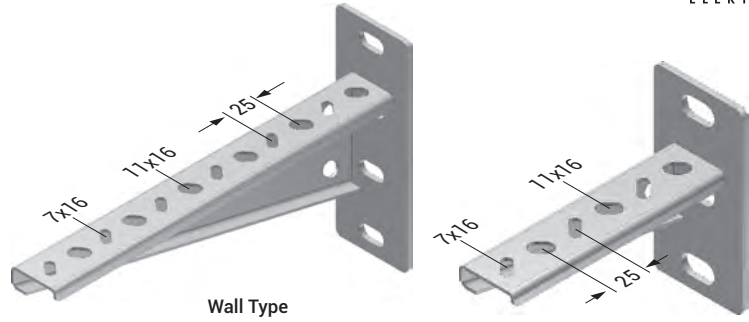
* Table load values are specified on the basis of TS EN 61537 standard.
 * Consoles that are compatible with UPD hangers are STS and A-ST5 type consoles.
 For carriage values of consoles, refer to section A-A, page 40 and page 41 respectively.



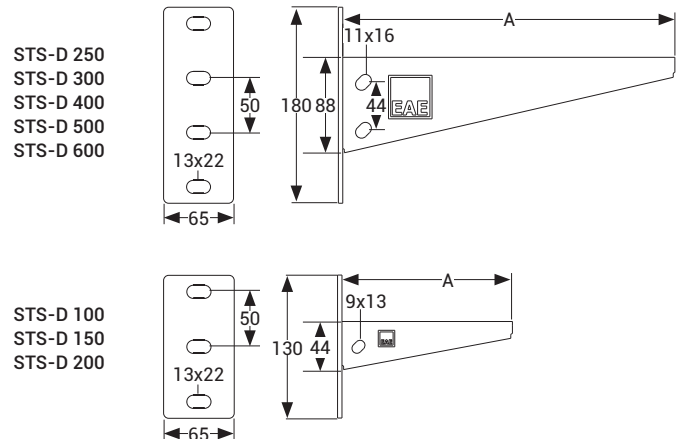
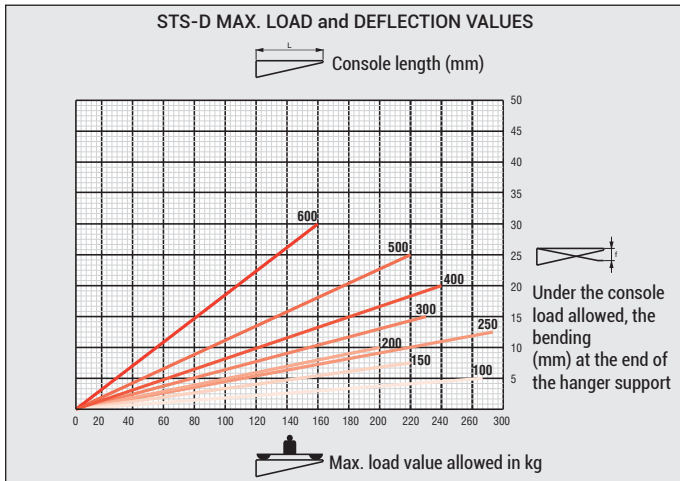
- Please indicate order code in your orders.
- Please contact us for special dimensions.
- Material weights may vary by $\pm 10\%$

- All dimensions are given as in mm
- PG= Pre-Galvanized
- HDG= Hot Dip Galvanized

Description	A (mm)	T (mm)	Pack (set)	Weight (kg/pcs)	HDG Code
STS-D 100	120	2	10	0,429	3007933
STS-D 150	170	2	10	0,466	3007932
STS-D 200	220	2	10	0,530	3007931
STS-D 250	270	2	10	0,811	3007930
STS-D 300	320	2	10	0,917	3007929
STS-D 400	420	2	10	1,089	3007928
STS-D 500	520	2	10	1,266	3007927
STS-D 600	620	2	10	1,419	3007926

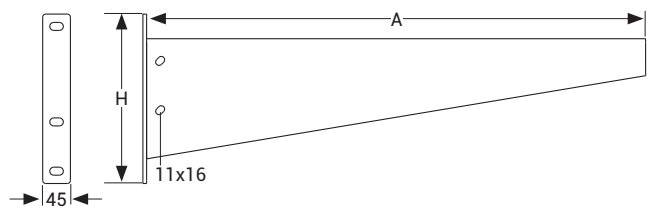
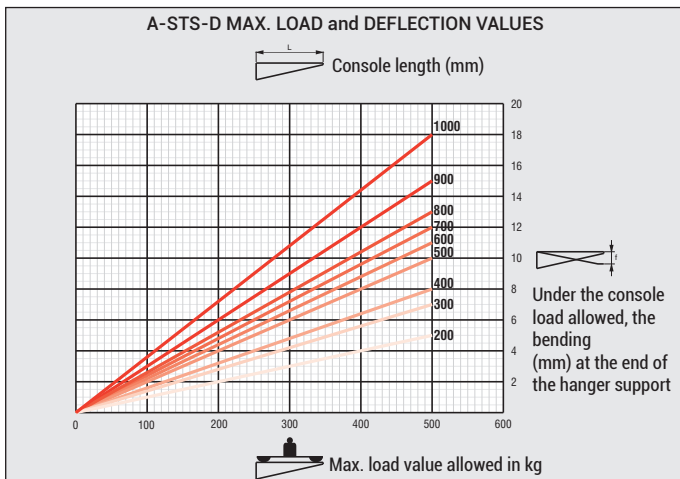
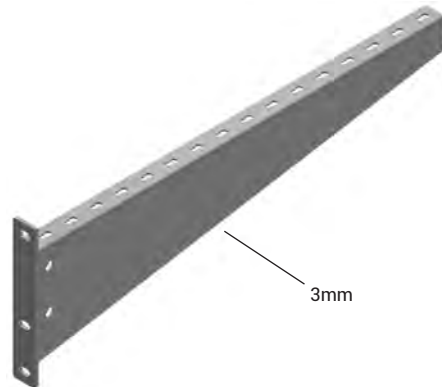


Wall Type



► A-STIS-D Tray Supports Hot Dip Galvanized (TS EN ISO 1461)

Description	A (mm)	H (mm)	T (mm)	Weight (kg/pcs)	HDG Code
A-STIS-D 200	230	190	3	1,214	3109007
A-STIS-D 300	330	190	3	1,657	3109008
A-STIS-D 400	430	240	3	2,266	3109009
A-STIS-D 500	530	240	3	2,949	3109010
A-STIS-D 600	630	240	3	3,540	3109011
A-STIS-D 700	730	290	3	4,527	3109012
A-STIS-D 800	830	290	3	5,028	3109013
A-STIS-D 900	930	290	3	5,530	3109014
A-STIS-D 1000	1030	290	3	6,031	3109015



- Please indicate order code in your orders.
- Please contact us for special dimensions.
- Material weights may vary by ± 10%

- All dimensions are given as in mm
- PG= Pre-Galvanized
- HDG= Hot Dip Galvanized

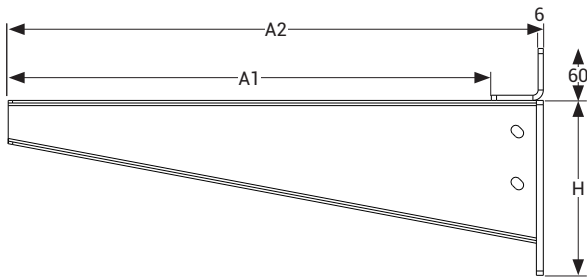
E-LINEA-A

►►A-ST5-D I HEAVY DUTY SUPPORTS

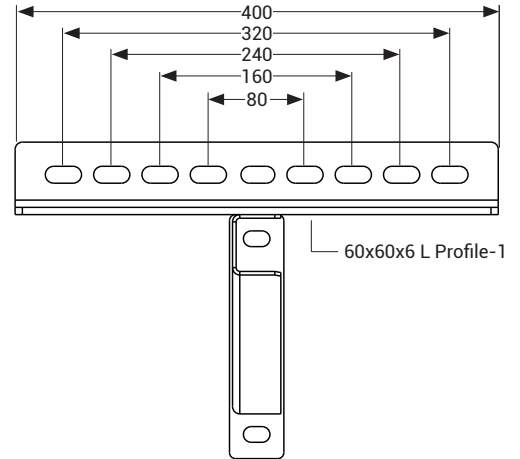
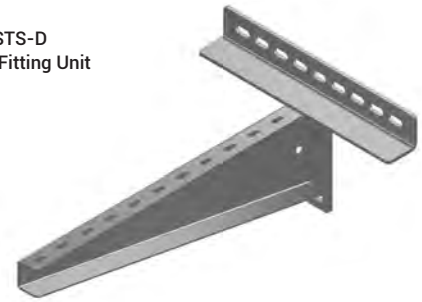
Hot Dip Galvanized (TS EN ISO 1461)



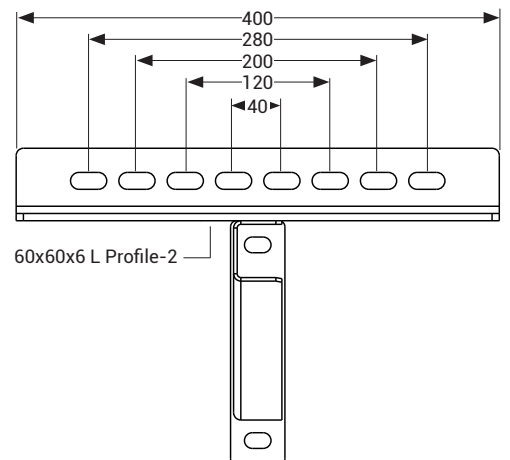
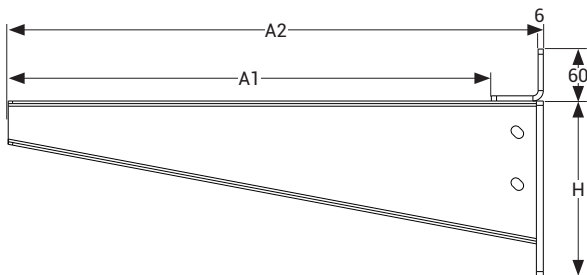
Description	A1 (mm)	A2 (mm)	H (mm)	T (mm)	Weight (kg/pcs)	HDG Code
A-ST5-D 200 I Profile Fitting Unit (3mm) 1	156	216	200	3	3,160	3254924
A-ST5-D 300 I Profile Fitting Unit (3mm) 1	256	316	210	3	3,620	3254925
A-ST5-D 400 I Profile Fitting Unit (3mm) 1	356	416	245	3	4,190	3254926
A-ST5-D 500 I Profile Fitting Unit (3mm) 1	456	516	252	3	4,850	3254927
A-ST5-D 600 I Profile Fitting Unit (3mm) 1	558	618	262	3	5,470	3254928
A-ST5-D 700 I Profile Fitting Unit (3mm) 1	658	718	302	3	6,420	3254929
A-ST5-D 800 I Profile Fitting Unit (3mm) 1	758	818	302	3	6,920	3254930
A-ST5-D 900 I Profile Fitting Unit (3mm) 1	858	918	302	3	7,420	3254931



A-ST5-D I Profile Fitting Unit



Description	A1 (mm)	A2 (mm)	H (mm)	T (mm)	Weight (kg/pcs)	HDG Code
A-ST5-D 200 I Profile Fitting Unit (3mm) 2	156	216	200	3	3,160	3343812
A-ST5-D 300 I Profile Fitting Unit (3mm) 2	256	316	210	3	3,620	3343813
A-ST5-D 400 I Profile Fitting Unit (3mm) 2	356	416	245	3	4,190	3343814
A-ST5-D 500 I Profile Fitting Unit (3mm) 2	456	516	252	3	4,850	3343815
A-ST5-D 600 I Profile Fitting Unit (3mm) 2	558	618	262	3	5,470	3343816
A-ST5-D 700 I Profile Fitting Unit (3mm) 2	658	718	302	3	6,420	3343817
A-ST5-D 800 I Profile Fitting Unit (3mm) 2	758	818	302	3	6,920	3343818
A-ST5-D 900 I Profile Fitting Unit (3mm) 2	858	918	302	3	7,420	3343819
A-ST5-D 1000 I Profile Fitting Unit (3mm) 2	958	1018	302	3	7,920	3343820



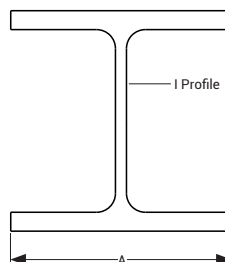
Note:

60x60x6 L PROFILE-1

A dimensions compatible with H Type and I Type Profiles; 120mm, 140mm, 200mm, 220mm, 280mm, 300mm

60x60x6 L PROFILE-2

A dimensions compatible with H Type and I Type Profiles; 100mm, 160mm, 240mm, 260mm



- Please contact us for special dimensions.
- Material weights may vary by ± 10%

- All dimensions are given as in mm
- PG= Pre-Galvanized
- HDG= Hot Dip Galvanized

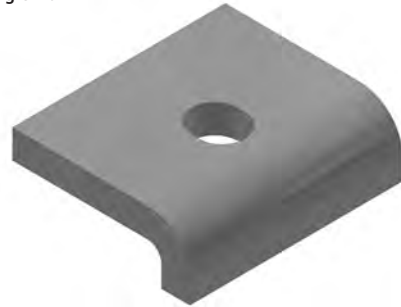
E-LINEA-A

►►A-ST5-D I Profile

Hot Dip Galvanized (TS EN ISO 1461)

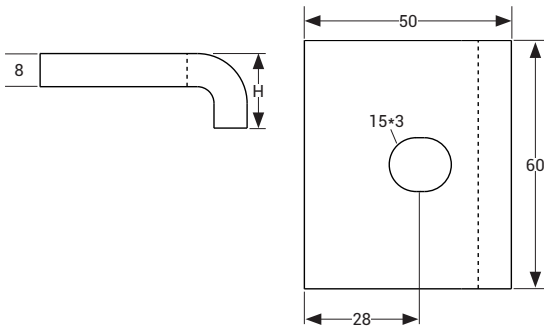
Description	H (mm)	T (mm)	Weight (kg/pcs)	HDG Code
TP CLAMPING UNIT I PROFILE H:10	10	8	0,220	3254933
TP CLAMPING UNIT I PROFILE H:15	15	0,240	3254934	
TP CLAMPING UNIT I PROFILE H:20	20	8	0,270	3254935

A-ST5-D
I Profile Fitting Unit

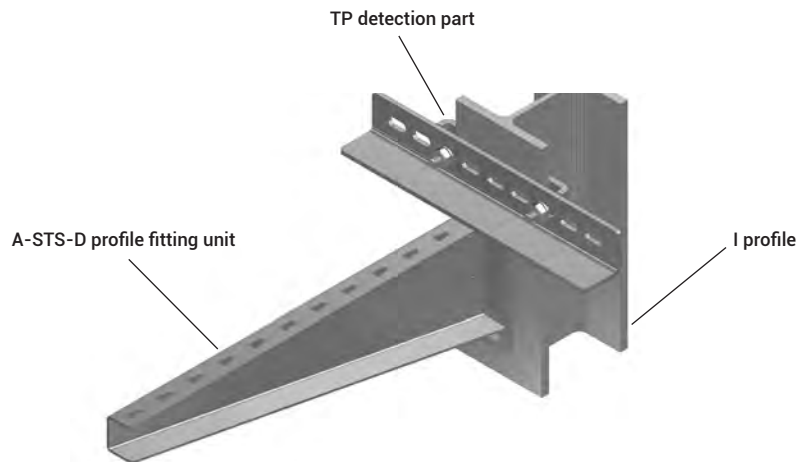


H: 10mm Clamping Thicknesses between 7mm/10mm
 H: 15mm Clamping Thicknesses between 12mm/15mm
 H: 20mm Clamping Thicknesses between 17mm/20mm
 (1 set; M12x50 / Washer / Nut)

Tightening torque: 123 Nm



Description	HDG Code
M12x50 SET	1041484



- Please indicate order code in your orders.
- Please contact us for special dimensions.
- Material weights may vary by ± 10%

- All dimensions are given as in mm
- PG= Pre-Galvanized
- HDG= Hot Dip Galvanized

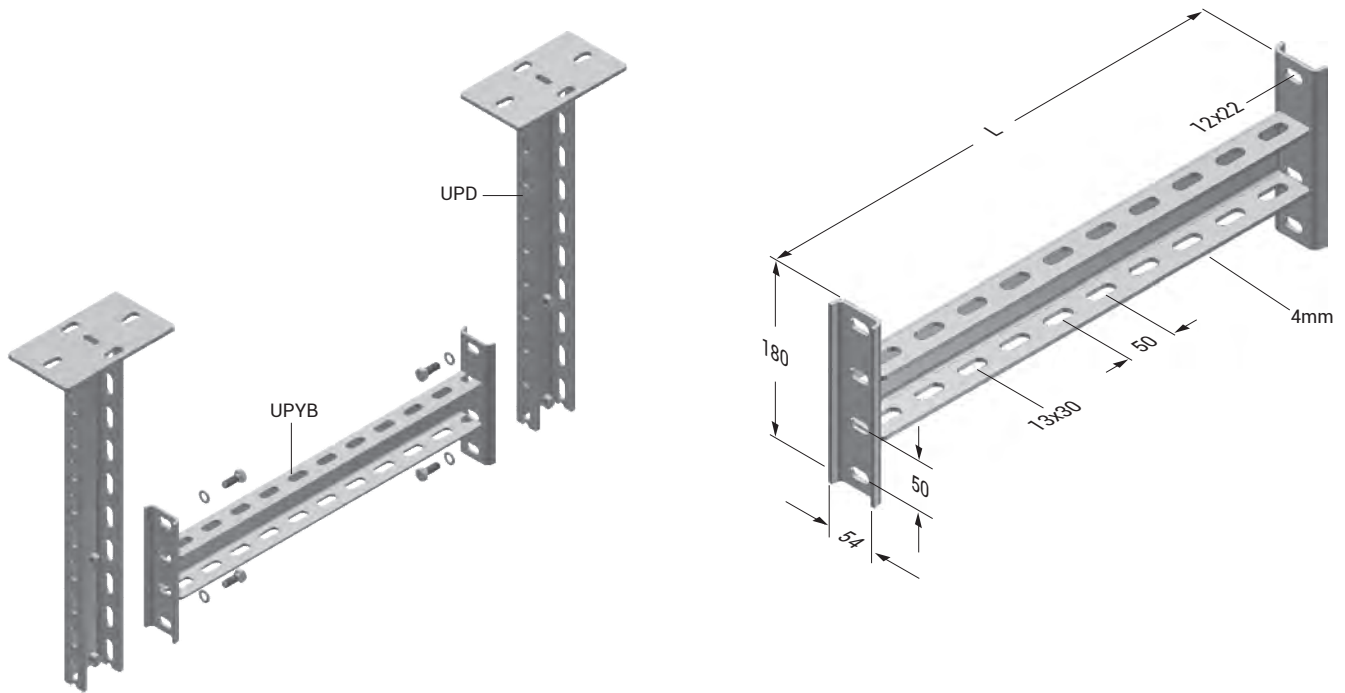
E-LINEA-A

▶▶U HEAVY DUTY SUPPORTS

Hot Dip Galvanized (TS EN ISO 1461)



Description	L (mm)	Weight (kg/pcs)	HDG Code
UPYB 300	350	2,162	3004533
UPYB 400	450	2,567	3004535
UPYB 500	550	2,969	3004537
UPYB 600	650	3,372	3004539
UPYB 700	750	3,773	3004541
UPYB 800	850	4,176	3004542
UPYB 900	950	4,579	3004543
UPYB 1000	1050	4,980	3004544

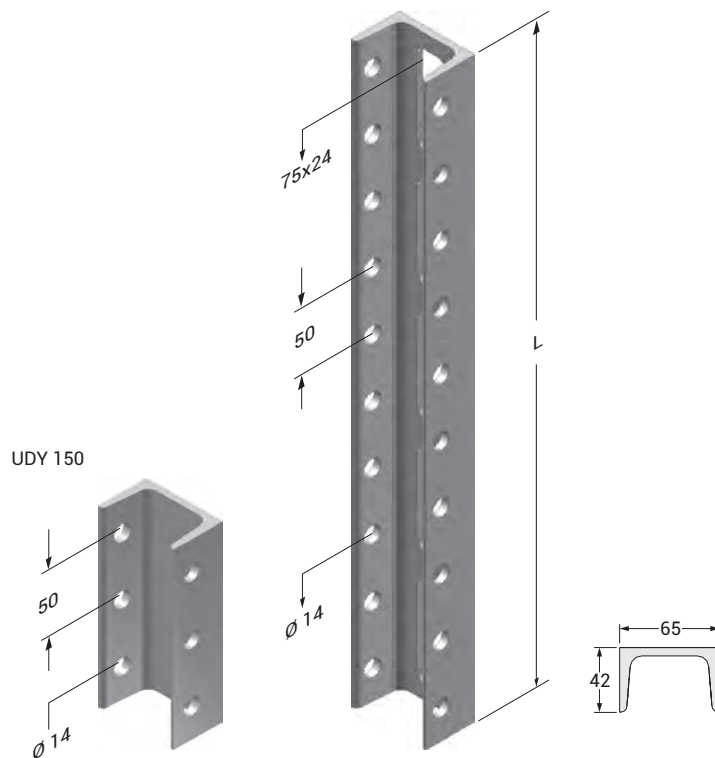


		UPD - UPYB H-TYPE HANGER SAFE LOAD VALUES				
		VERTICAL HANGER: UPD		HORIZONTAL SUPPORTS: UDYB Max. Load Allowed q (kg)		
		L (mm)	Fz max. (kg)	A 300-400-500mm	A 600-700-800mm	A 900-1000-1200mm
1 Row Application		500	900	750	650	500
		1000		750	650	500
		1500		750	650	500
		2000		750	650	500
		2500		750	650	500
		3000		750	650	500
2 Row Application		500	900	750	650	500
		1000		750	650	500
		1500		750	650	500
		2000		750	650	500
		2500		750	650	500
		3000		750	650	500
3 Row Application		500	900	600	600	500
		1000		600	600	500
		1500		600	600	500
		2000		600	600	500
		2500		600	600	500
		3000		600	600	500

- Please indicate order code in your orders.
- Please contact us for special dimensions.
- Material weights may vary by ± 10%

- All dimensions are given as in mm
- PG= Pre-Galvanized
- HDG= Hot Dip Galvanized

Description	L (mm)	Weight (kg/pcs)	HDG Code
UDY 150	150	0,900	3008376
UDY 300	300	1,800	3008023
UDY 400	400	2,400	3008024
UDY 500	500	3,000	3008025
UDY 600	600	3,600	3008026
UDY 700	700	4,200	3008027
UDY 800	800	4,800	3008028
UDY 900	900	5,400	3008029
UDY 1000	1000	6,000	3008030
UDY 1100	1100	6,600	3008031
UDY 1200	1200	7,200	3008032
UDY 1300	1300	7,800	3008033
UDY 1400	1400	8,400	3008034
UDY 1500	1500	8,900	3008035
UDY 1600	1600	9,600	3008036
UDY 1700	1700	10,200	3008037
UDY 1800	1800	10,800	3008038
UDY 1900	1900	11,400	3008039
UDY 2000	2000	12,000	3008040



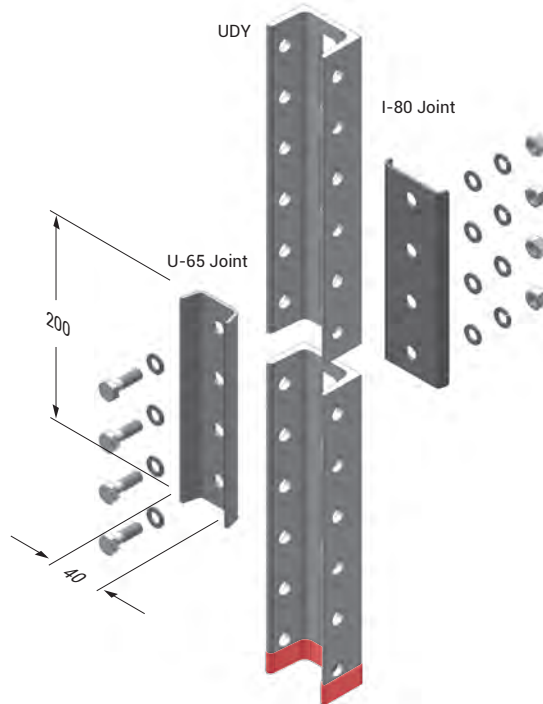
UDY-PROFILE SAFE CARRIAGE CAPACITIES		
LOADING DIRECTION	L (mm)	Max. Load Allowed q (kg)
	500	1000
	750	950
	1000	900
	1250	800
	1500	700
	1750	600
	2000	500
	2250	425
	2500	350
	2750	325
3000	300	
	500	1000
	750	950
	1000	900
	1250	800
	1500	700
	1750	600
	2000	500
	2250	425
	2500	350
	2750	325
3000	300	

►► CEILING MOUNTING FITTINGS

Hot Dip Galvanized (TS EN ISO 1461)

Description	T (mm)	Weight (kg/pcs)	HDG Code
U-65 U Section Expansion Fitting	2,5	0,345	3006642
UDY Protection Cover	-	-	1002279
I-80 I Console Joint Unit	2,5	0,312	3008231

For installation of U-65 and UDY console joint unit;
 1 unit I-80 console joint unit,
 4 units M10x30 bolt,
 8 units M10 nut and
 4 units Ø10 washer shall be ordered.



- Please contact your representative for inquiries regarding stainless steel alternatives.
- Please indicate order code in your orders.
- Please contact us for special dimensions.
- Material weights may vary by ± 10%

- All dimensions are given as in mm
- PG= Pre-Galvanized
- HDG= Hot Dip Galvanized

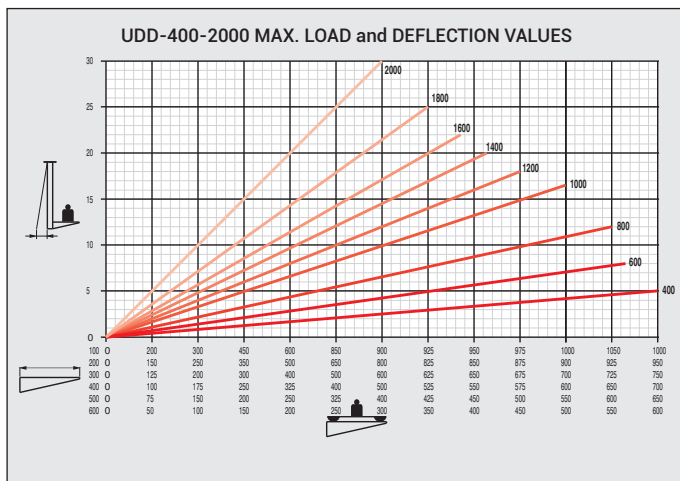
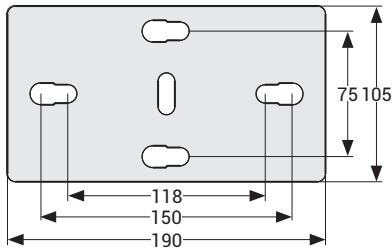
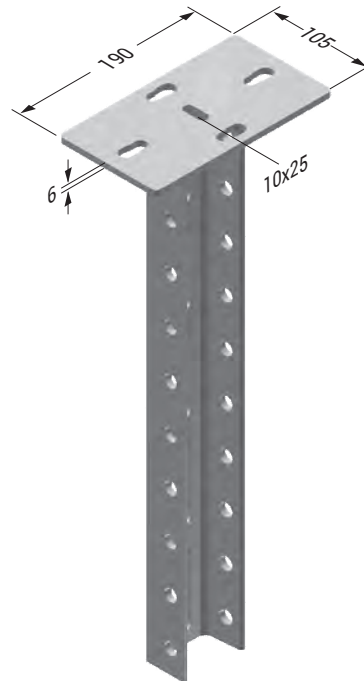
E-LINEA-A

►► I HEAVY DUTY SUPPORTS

Hot Dip Galvanized (TS EN ISO 1461)



Description	L (mm)	Tensile Load (kg)	Weight (kg/set)	HDG Code
UDD 300	300	1000	2,750	3007997
UDD 400	400	1000	3,350	3007998
UDD 500	500	1000	3,950	3007999
UDD 600	600	1000	4,550	3008000
UDD 700	700	1000	5,150	3008001
UDD 800	800	1000	5,750	3008002
UDD 900	900	1000	6,350	3008003
UDD 1000	1000	1000	6,950	3008004
UDD 1100	1100	1000	7,550	3008005
UDD 1200	1200	1000	8,150	3008006
UDD 1300	1300	1000	8,750	3008007
UDD 1400	1400	1000	9,350	3008008
UDD 1500	1500	1000	9,850	3008009
UDD 1600	1600	1000	10,550	3008010
UDD 1700	1700	1000	11,150	3008011
UDD 1800	1800	1000	11,750	3008012
UDD 1900	1900	1000	12,350	3008013
UDD 2000	2000	1000	12,950	3008014



- Please indicate order code in your orders.
- Please contact us for special dimensions.
- Material weights may vary by ± 10%

- All dimensions are given as in mm
- PG= Pre-Galvanized
- HDG= Hot Dip Galvanized

UDD HANGER CARRIAGE VALUES

Single-Sided 1 Row	UDD VERTICAL HANGER			P (kg) MAXIMUM LOAD ALLOWED IN SINGLE-SIDED LOADING CONDITION					
	Type	L (mm)	Fz max. (kg)	A (Console Length)					
				100	200	300	400	500	600
	UDD 500	500	1000	1000	950	750	700	650	600
UDD 1000	1000	1000		900	700	600	550	500	
UDD 1500	1500	950		850	650	550	450	400	
UDD 2000	2000	900		800	600	500	400	300	

Double-Sided 1 Row	UDD VERTICAL HANGER			P (kg) MAXIMUM LOAD ALLOWED IN SINGLE-SIDED LOADING CONDITION					
	Type	L (mm)	Fz max. (kg)	A (Console Length)					
				100	200	300	400	500	600
	UDD 500	500	1000	500	500	500	500	500	500
UDD 1000	1000	500		500	500	500	500	500	
UDD 1500	1500	500		500	500	500	500	500	
UDD 2000	2000	500		500	500	500	500	500	

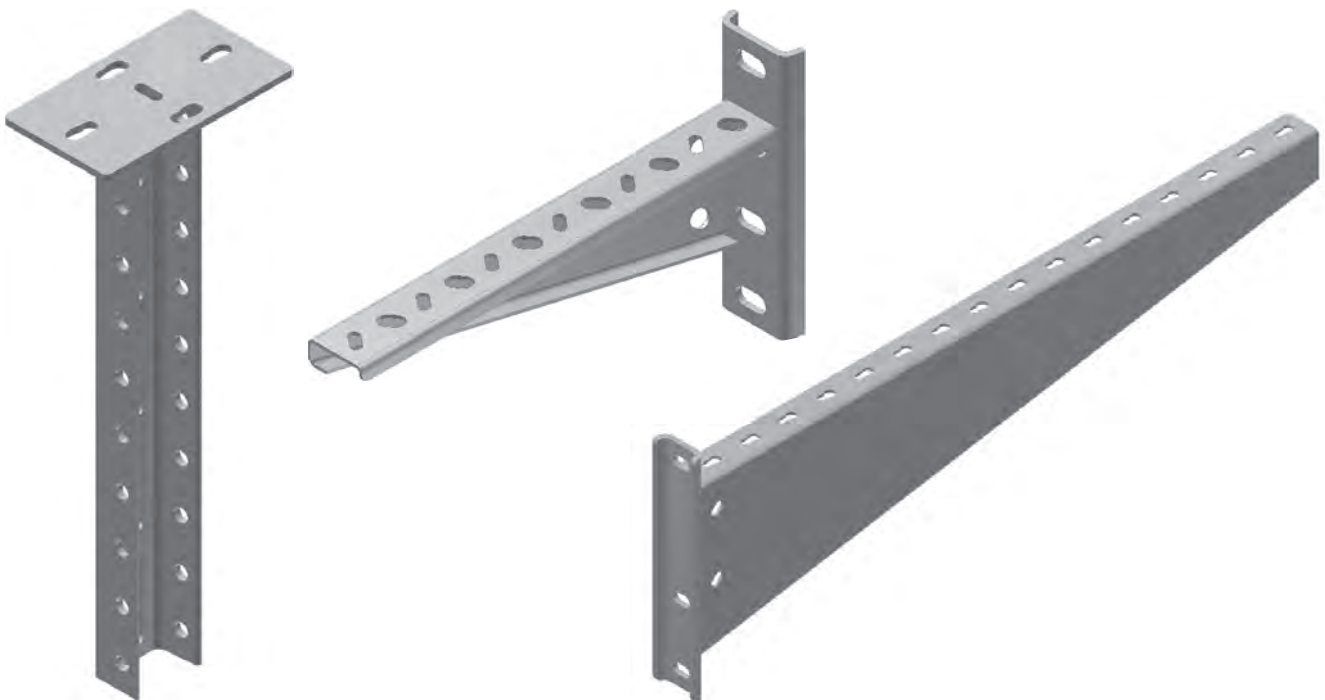
Single-Sided 2 Row	UDD VERTICAL HANGER			P (kg) MAXIMUM LOAD ALLOWED IN SINGLE-SIDED LOADING CONDITION					
	Type	L (mm)	Fz max. (kg)	A (Console Length)					
				100	200	300	400	500	600
	UDD 500	500	900	500	475	375	350	325	300
UDD 1000	1000	500		450	350	300	275	250	
UDD 1500	1500	475		425	325	275	225	200	
UDD 2000	2000	450		400	300	250	200	150	

Double-Sided 2 Row	UDD VERTICAL HANGER			P (kg) MAXIMUM LOAD ALLOWED IN SINGLE-SIDED LOADING CONDITION					
	Type	L (mm)	Fz max. (kg)	A (Console Length)					
				100	200	300	400	500	600
	UDD 500	500	1000	250	250	250	250	250	250
UDD 1000	1000	250		250	250	250	250	250	
UDD 1500	1500	250		250	250	250	250	250	
UDD 2000	2000	250		250	250	250	250	250	

Single-Sided 3 Row	UDD VERTICAL HANGER			P (kg) MAXIMUM LOAD ALLOWED IN SINGLE-SIDED LOADING CONDITION					
	Type	L (mm)	Fz max. (kg)	A (Console Length)					
				100	200	300	400	500	600
	UDD 500	500	1000	400	360	280	250	230	215
UDD 1000	1000	380		350	265	230	200	180	
UDD 1500	1500	360		315	250	215	165	150	
UDD 2000	2000	350		300	230	200	150	115	

Double-Sided 3 Row	UDD VERTICAL HANGER			P (kg) MAXIMUM LOAD ALLOWED IN SINGLE-SIDED LOADING CONDITION					
	Type	L (mm)	Fz max. (kg)	A (Console Length)					
				100	200	300	400	500	600
	UDD 500	500	1000	165	165	165	165	165	165
UDD 1000	1000	165		165	165	165	165	165	
UDD 1500	1500	165		165	165	165	165	165	
UDD 2000	2000	165		165	165	165	165	165	

* Table load values are specified on the basis of TS EN 61537 standard.
 * Consoles that are compatible with UDD hangers are STS and A-ST5 type consoles.
 For carriage values of consoles, refer to section A-A, page 40 and page 41 respectively.



- Please contact your representative for inquiries regarding stainless steel alternatives.
- Please indicate order code in your orders.
- Please contact us for special dimensions.
- Material weights may vary by ± 10%

- All dimensions are given as in mm
- PG= Pre-Galvanized
- HDG= Hot Dip Galvanized

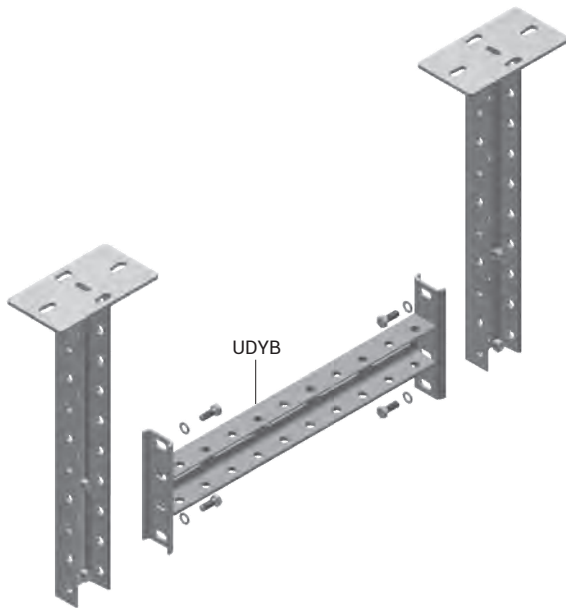
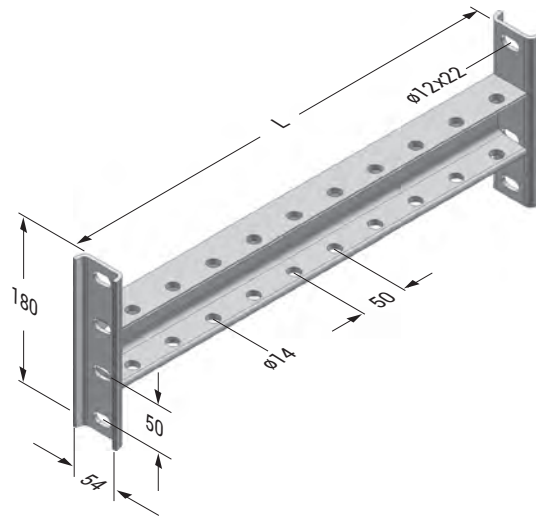
E-LINEA-A

►► U HEAVY DUTY SUPPORTS

Hot Dip Galvanized (TS EN ISO 1461)



Description	L (mm)	Weight (kg/pcs)	HDG Code
UDYB 300	350	2,866	3007989
UDYB 400	450	3,458	3007990
UDYB 500	550	4,048	3007991
UDYB 600	650	4,640	3007992
UDYB 700	750	5,237	3007993
UDYB 800	850	5,856	3007994
UDYB 900	950	6,433	3007995
UDYB 1000	1050	7,031	3007996

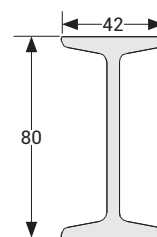
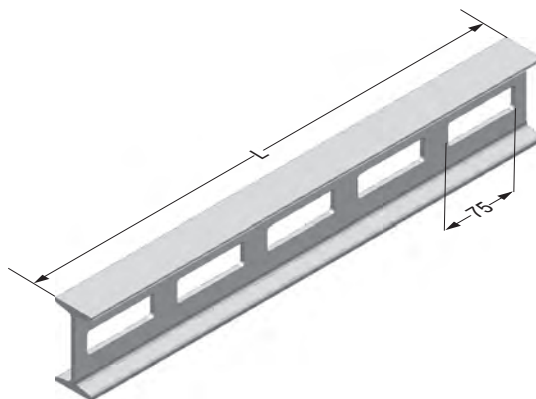


		UDD - UDYB H-TYPE HANGER SAFE LOAD VALUES				
		Vertical Hanger :		HORIZONTAL SUPPORTS: UDYB Max. Load Allowed q (kg)		
		L (mm)	Fz max. (kg)	A 300-400-500mm	A 600-700-800mm	A 900-1000-1200mm
1 Row Application		500	1000	1000	900	800
		1000		1000	900	800
		1500		1000	900	800
		2000		1000	900	800
		2500		1000	900	800
		3000		1000	900	800
2 Row Application		500	1000	900	900	800
		1000		900	900	800
		1500		900	900	800
		2000		900	900	800
		2500		900	900	800
		3000		900	900	800
3 Row Application		500	1000	600	600	600
		1000		600	600	600
		1500		600	600	600
		2000		600	600	600
		2500		600	600	600
		3000		600	600	600

- Please contact your representative for inquiries regarding stainless steel alternatives.
- Please indicate order code in your orders.
- Please contact us for special dimensions.
- Material weights may vary by ± 10%

- All dimensions are given as in mm
- PG= Pre-Galvanized
- HDG= Hot Dip Galvanized

Description	L (mm)	Weight (kg/pcs)	HDG Code
IDY 300	300	1,700	3008242
IDY 400	400	2,100	3008290
IDY 500	500	2,600	3008289
IDY 600	600	3,300	3008288
IDY 700	700	3,700	3008287
IDY 800	800	4,200	3008286
IDY 900	900	4,700	3008285
IDY 1000	1000	5,300	3008284
IDY 1100	1100	5,700	3008283
IDY 1200	1200	6,200	3008282
IDY 1300	1300	6,900	3008236
IDY 1400	1400	7,300	3008281
IDY 1500	1500	7,900	3008280
IDY 1600	1600	8,500	3008241
IDY 1700	1700	8,900	3008240
IDY 1800	1800	9,400	3008239
IDY 1900	1900	9,900	3008238
IDY 2000	2000	10,500	3008237
IDY 3000	3000	15,700	3030391



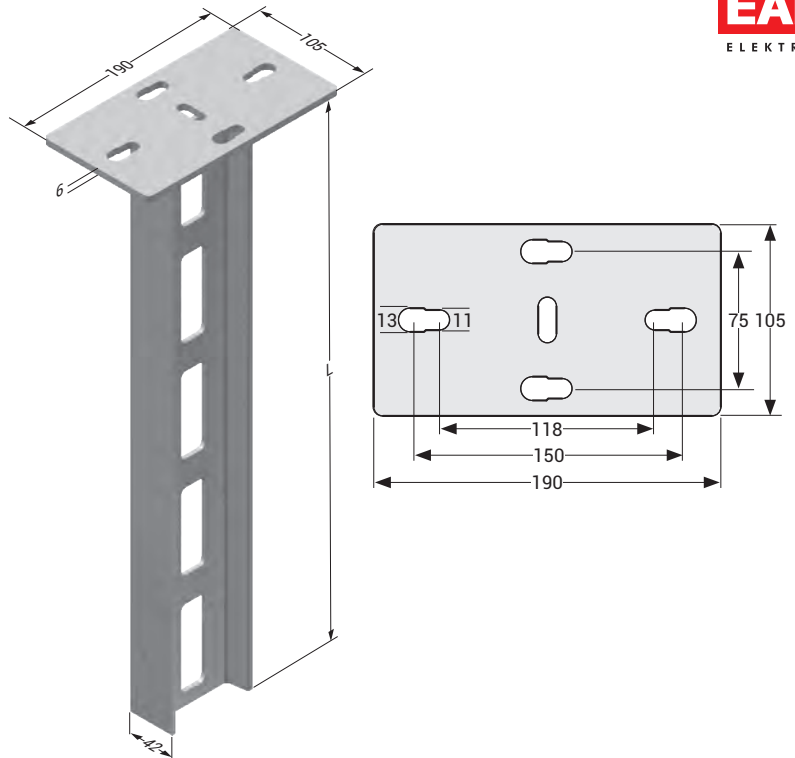
		IDD-IDY H-TYPE HANGER SAFE LOAD VALUES				
		VERTICAL HANGER:		HORIZONTAL SUPPORTS: IDY q (kg)		
		L (mm)	Fz max. (kg)	A 300-400-500mm	A 600-700-800mm	A 900-1000-1200mm
1 Row Application		500	1200	1200	1000	900
		1000		1200	1000	900
		1500		1200	1000	900
		2000		1200	1000	900
		2500		1200	1000	900
		3000		1200	1000	900
2 Row Application		500	1200	1200	1000	900
		1000		1200	1000	900
		1500		1200	1000	900
		2000		1200	1000	900
		2500		1200	1000	900
		3000		1200	1000	900
3 Row Application		500	1200	800	800	800
		1000		800	800	800
		1500		800	800	800
		2000		800	800	800
		2500		800	800	800
		3000		800	800	800

IDY-PROFILE SAFE CARRIAGE CAPACITIES	
LOADING DIRECTION	
DISTRIBUTED LOAD	
L (mm)	Max. Load Allowed q (kg)
500	1200
750	1100
1000	1000
1250	850
1500	700
1750	600
2000	525
2250	475
2500	425
2750	380
3000	350

- Please contact your representative for inquiries regarding stainless steel alternatives.
- Please indicate order code in your orders.
- Please contact us for special dimensions.
- Material weights may vary by ± 10%

- All dimensions are given as in mm
- PG= Pre-Galvanized
- HDG= Hot Dip Galvanized

Description	L (mm)	Tensile Load (kg)	Weight (kg/pcs)	HDG Code
IDD 300	300	1200	2,650	3008314
IDD 400	400	1200	3,050	3008313
IDD 500	500	1200	3,550	3008312
IDD 600	600	1200	4,250	3008311
IDD 700	700	1200	4,650	3008310
IDD 800	800	1200	5,150	3008309
IDD 900	900	1200	5,650	3008308
IDD 1000	1000	1200	6,250	3008307
IDD 1100	1100	1200	6,650	3008306
IDD 1200	1200	1200	7,150	3008305
IDD 1300	1300	1200	7,850	3008304
IDD 1400	1400	1200	8,250	3008303
IDD 1500	1500	1200	8,850	3008302
IDD 1600	1600	1200	9,450	3008301
IDD 1700	1700	1200	9,850	3008300
IDD 1800	1800	1200	10,350	3008299
IDD 1900	1900	1200	10,850	3008298
IDD 2000	2000	1200	11,450	3008297
IDD 3000	3000	1200	16,650	3030392

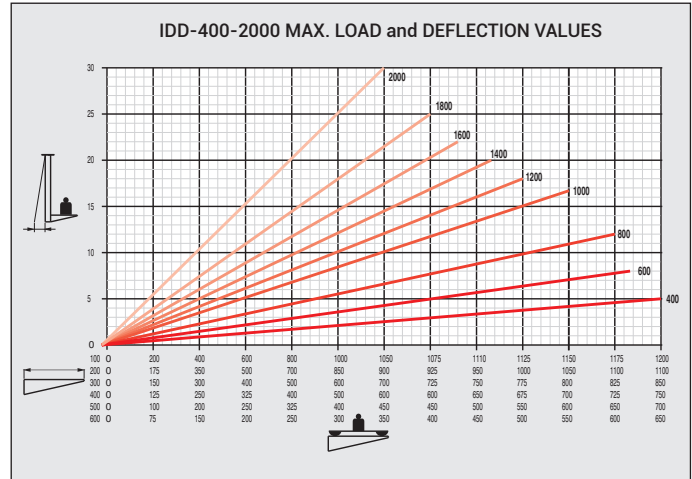


Single-Sided 1 Row	IDD VERTICAL HANGER			P (kg) MAXIMUM LOAD ALLOWED IN SINGLE-SIDED LOADING CONDITION					
	Type	L (mm)	Fz max. (kg)	A (Console Length)					
				100	200	300	400	500	600
	IDD 500	500	1200	1200	1100	850	750	700	650
	IDD 1000	1000		1150	1050	800	700	600	550
	IDD 1500	1500		1100	950	750	650	500	450
	IDD 2000	2000		1050	900	700	600	450	350

Single-Sided 2 Row	IDD VERTICAL HANGER			P (kg) MAXIMUM LOAD ALLOWED IN SINGLE-SIDED LOADING CONDITION					
	Type	L (mm)	Fz max. (kg)	A (Console Length)					
				100	200	300	400	500	600
	IDD 500	500	1200	600	550	425	375	350	325
	IDD 1000	1000		575	525	400	350	300	275
	IDD 1500	1500		550	475	375	325	250	225
	IDD 2000	2000		525	450	350	300	225	175

Single-Sided 3 Row	IDD VERTICAL HANGER			P (kg) MAXIMUM LOAD ALLOWED IN SINGLE-SIDED LOADING CONDITION					
	Type	L (mm)	Fz max. (kg)	A (Console Length)					
				100	200	300	400	500	600
	IDD 500	500	1200	400	360	280	250	230	215
	IDD 1000	1000		380	350	265	230	200	180
	IDD 1500	1500		360	315	250	215	165	150
	IDD 2000	2000		350	300	230	200	150	115

Double-Sided 1 Row	IDD VERTICAL HANGER			P (kg) MAXIMUM LOAD ALLOWED IN SINGLE-SIDED LOADING CONDITION					
	Type	L (mm)	Fz max. (kg)	A (Console Length)					
				100	200	300	400	500	600
	IDD 500	500	1200	1200	1100	850	750	700	650
	IDD 1000	1000		1150	1050	800	700	600	550
	IDD 1500	1500		1100	950	750	650	500	450
	IDD 2000	2000		1050	900	700	600	450	350



The table load values are specified based on the TS EN 61537 standard.

Double-Sided 2 Row	IDD VERTICAL HANGER			P (kg) MAXIMUM LOAD ALLOWED IN SINGLE-SIDED LOADING CONDITION					
	Type	L (mm)	Fz max. (kg)	A (Console Length)					
				100	200	300	400	500	600
	IDD 500	500	1200	600	550	425	375	350	325
	IDD 1000	1000		575	525	400	350	300	275
	IDD 1500	1500		550	475	375	325	250	225
	IDD 2000	2000		525	450	350	300	225	175

Double-Sided 3 Row	IDD VERTICAL HANGER			P (kg) MAXIMUM LOAD ALLOWED IN SINGLE-SIDED LOADING CONDITION					
	Type	L (mm)	Fz max. (kg)	A (Console Length)					
				100	200	300	400	500	600
	IDD 500	500	1200	400	360	280	250	230	215
	IDD 1000	1000		380	350	265	230	200	180
	IDD 1500	1500		360	315	250	215	165	150
	IDD 2000	2000		350	300	230	200	150	115

- Please contact your representative for inquiries regarding stainless steel alternatives.
- Please indicate order code in your orders.
- Please contact us for special dimensions.
- Material weights may vary by ± 10%

- All dimensions are given as in mm
- PG= Pre-Galvanized
- HDG= Hot Dip Galvanized

E-LINEA-A

►► HEAVY DUTY SUPPORTS (Z)

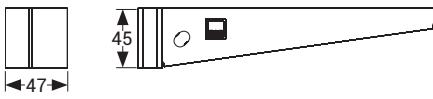
Hot Dip Galvanized (TS EN ISO 1461)



Description	A (mm)	T (mm)	Pack (tk)	Weight (kg/pcs)	HDG Code
STK 100	120	2	10	0,350	3008198
STK 150	170	2	10	0,417	3008114
STK 200	220	2	10	0,519	3008296
STK 250	270	2	10	0,892	3008295
STK 300	320	2	10	1,044	3008294
STK 400	420	2	10	1,215	3008293
STK 500	520	2	10	1,387	3008292
STK 600	620	2	10	1,557	3008291
STK Bolt Set 1	-	-	-	0,096	2000172
STK Bolt Set 2	-	-	-	0,309	2000173



• STK Bolt Set will be supplied with the product.



STK 100
STK 150
STK 200



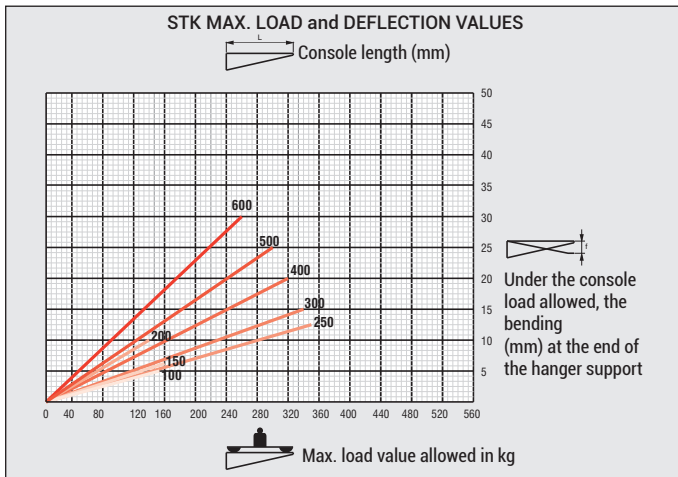
STK 250
STK 300
STK 400
STK 500
STK 600

STK Bolt Sets 1

STK Bolts set 1 for 100-150-200 sizes is comprised of
1 each M8x20 screw,
1 each M8 nut,
2 each M8 Shim,
1 each Washer and 1 each lug tool.

STK Bolt Sets 2

STK Bolts set 2 for 250-300-400-500-600 sizes is comprised of
2 each M10x30 Bolts,
2 each M10 Nuts,
2 each M10 Shim,
2 each Belleville washer (M10),
1 each custom STK shim and 2 each lug tools.



- Please contact your representative for inquiries regarding stainless steel alternatives.
- Please indicate order code in your orders.
- Please contact us for special dimensions.
- Material weights may vary by $\pm 10\%$

- All dimensions are given as in mm
- PG= Pre-Galvanized
- HDG= Hot Dip Galvanized

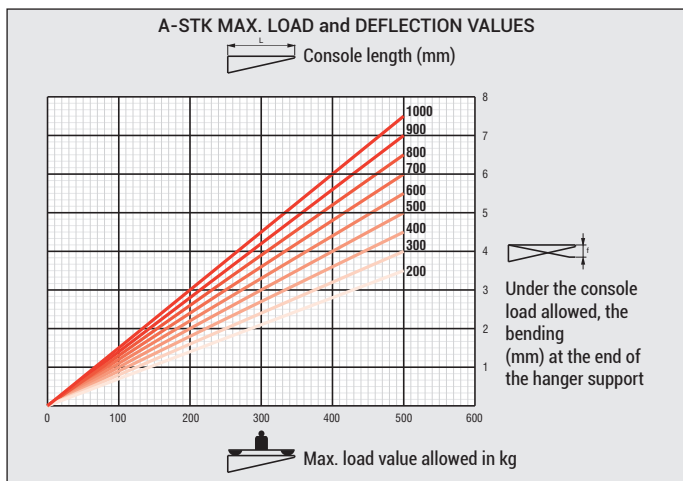
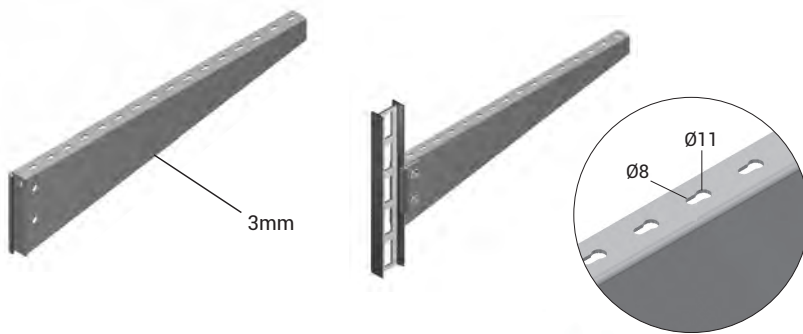
E-LINEA-A

▶▶ A-STK TRAY SUPPORTS

Hot Dip Galvanized (TS EN ISO 1461)

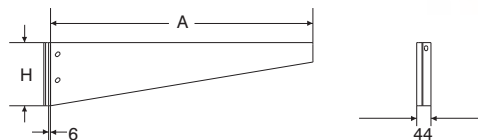


Description	A (mm)	H (mm)	T (mm)	Weight (kg/pcs)	HDG Code
A-STK 200	230	90	3	1,433	3108826
A-STK 300	330	110	3	1,976	3108827
A-STK 400	430	130	3	2,606	3108828
A-STK 500	530	145	3	3,237	3108829
A-STK 600	630	165	3	3,893	3108830
A-STK 700	730	195	3	4,895	3108831
A-STK 800	830	195	3	5,397	3108832
A-STK 900	930	195	3	5,898	3108833
A-STK 1000	1030	195	3	6,401	3108834



A-STK Bolt Set

- 2 pcs M10x30 Bolt,
- 2 pcs M10 Nut,
- 4 pcs M10 Washer,
- 2 pcs M10 Plain Washers,
- 1 pcs each lug tool.

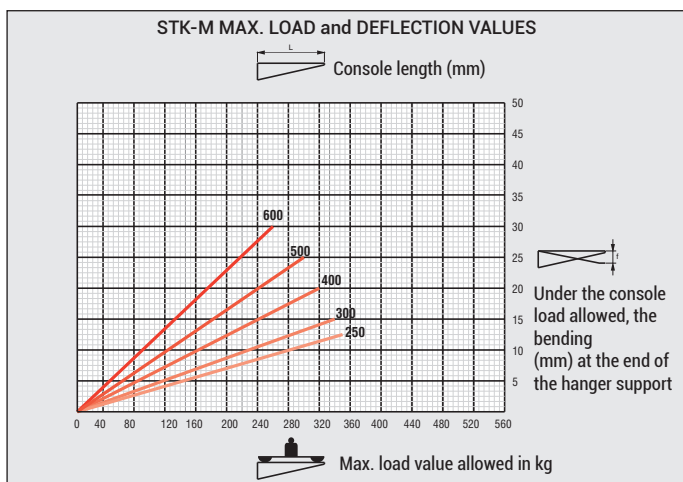
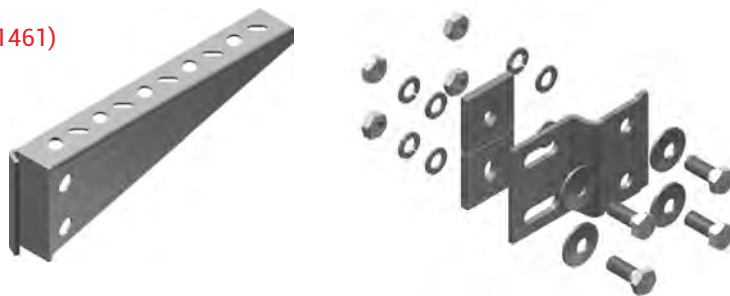


• A-STK Bolt Set will be supplied with the product.

Load values in tables have been defined on the basis of the TS EN 61537 standard.

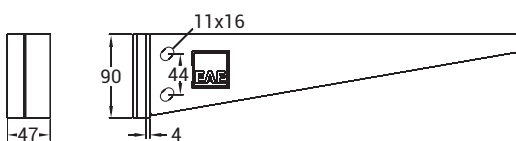
▶ STK-M Tray Supports Hot Dip Galvanized (TS EN ISO 1461)

Description	A (mm)	T (mm)	Pack (tk)	Weight (kg/pcs)	HDG Code
STK-M 250	270	2	10	1,277	3110215
STK-M 300	320	2	10	1,363	3110216
STK-M 400	420	2	10	1,534	3110217
STK-M 500	520	2	10	1,706	3110218
STK-M 600	620	2	10	1,876	3110219



STK-M Bolt Set 1

- 4 Unit of M10x35 Bolts,
- 4 Units of M10 Capsule Washers ,
- 4 Units of M10 Washers,
- 4 Units of Plain Washers,
- 4 Units of M10 Nuts,
- 2 Units of BR1 Square Washer and
- 1 Unit of STK-M.



• STK-M Bolt Set will be supplied with the product.

■ Please contact your representative for inquiries regarding stainless steel alternatives.

■ Please indicate order code in your orders.

■ Please contact us for special dimensions.

■ Material weights may vary by ± 10%

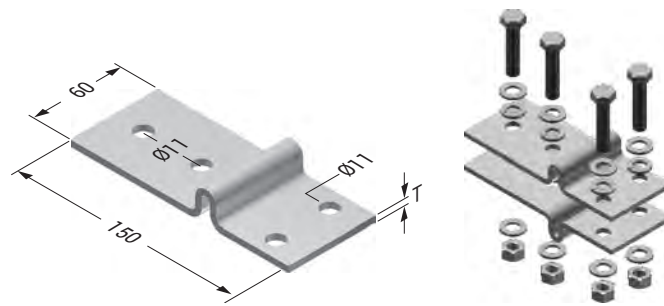
■ All dimensions are given as in mm

■ PG= Pre-Galvanized

■ HDG= Hot Dip Galvanized

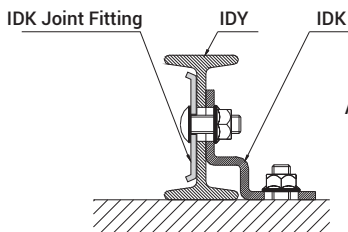
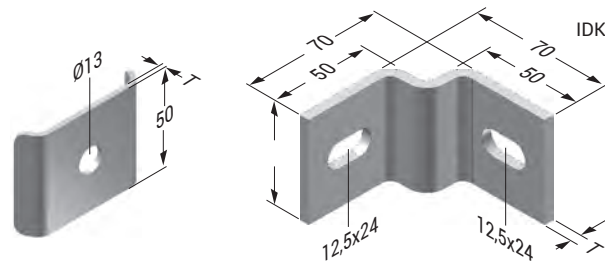
Description	T (mm)	Pack (pcs)	Weight (kg/set)	HDG Code
IDT Support Fitting	4	10	0,815	3008279

Set of IDT consists:
2 IDT support fitting set, 4 M10x30 bolt, 8 M10 washer, 4 M10 spring washer, 4 M10 nut.

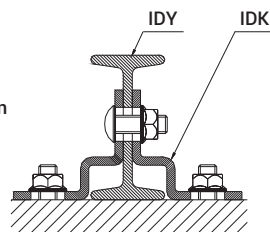


Description	T (mm)	Pack (pcs)	Weight (kg/pcs)	HDG Code
IDK Support Fitting	4	20	0,226	3008278
IDK Joint Fitting	2,5	-	0,081	3006348
I-80 I Profile Joint	2,5	20	0,312	3008231
IDY Protection Cover	-	-	-	1002278

For installation of I-80 console joint unit;
2 units I-80 I Profile Joint, 4 units M10x30 bolt, 4 units M10 nut, 8 units M10 washer and 4 units Ø10 washer shall be ordered.



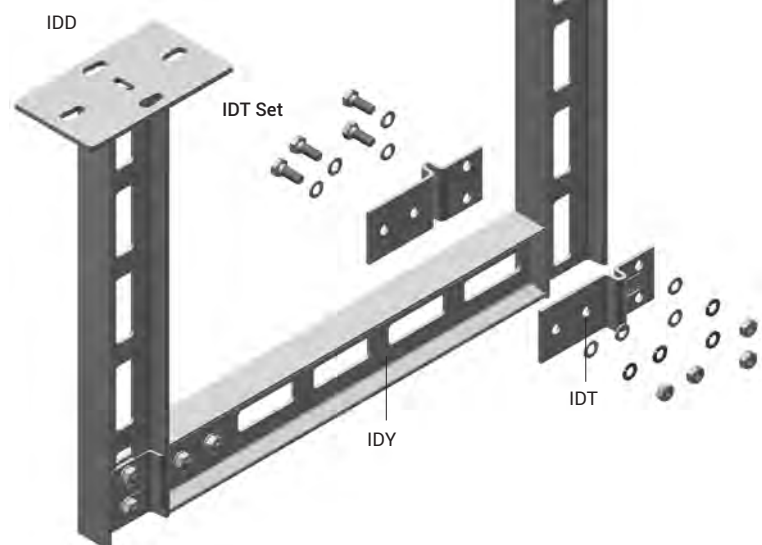
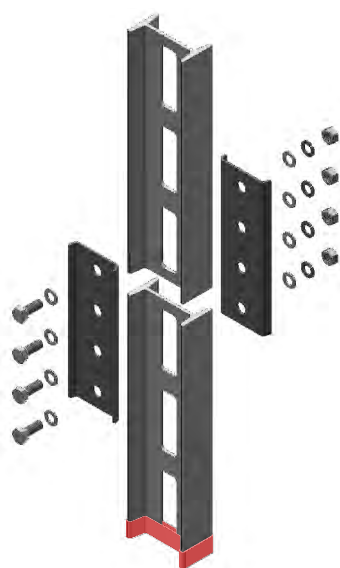
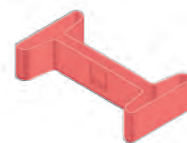
Application examples



I-80 I Profile Joint



IDY Protection Cover



- Please contact your representative for inquiries regarding stainless steel alternatives.
- Please indicate order code in your orders.
- Please contact us for special dimensions.
- Material weights may vary by ± 10%

- All dimensions are given as in mm
- PG= Pre-Galvanized
- HDG= Hot Dip Galvanized

E-LINEA-A

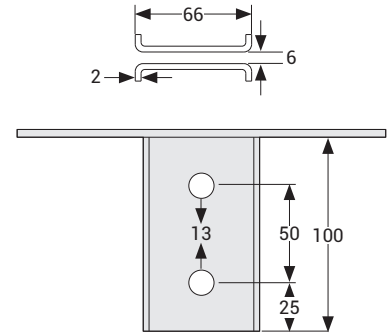
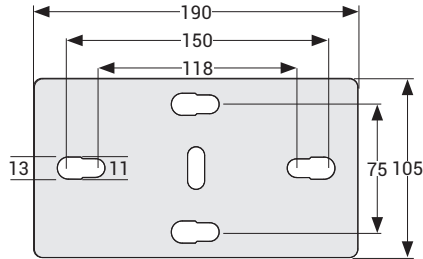
►► CEILING MOUNTING FITTINGS

Hot Dip Galvanized (TS EN ISO 1461)

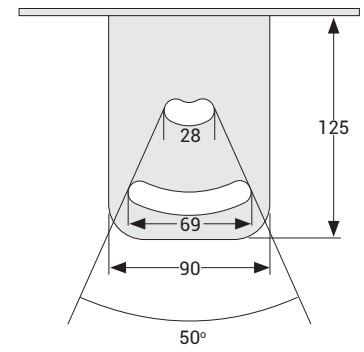
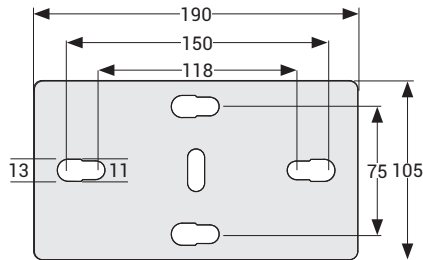


Description	Pack (pcs)	Weight (kg/pcs)	HDG Code
TMP 7 Ceiling Support Unit	10	1,218	3008381
TMP 10 Ceiling Support Unit	10	1,298	3007922

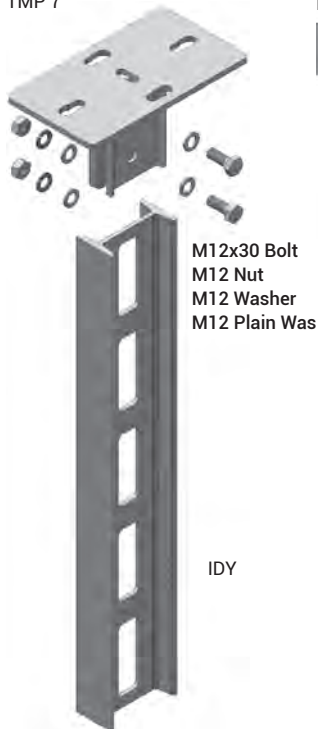
TMP 7



TMP 10



TMP 7



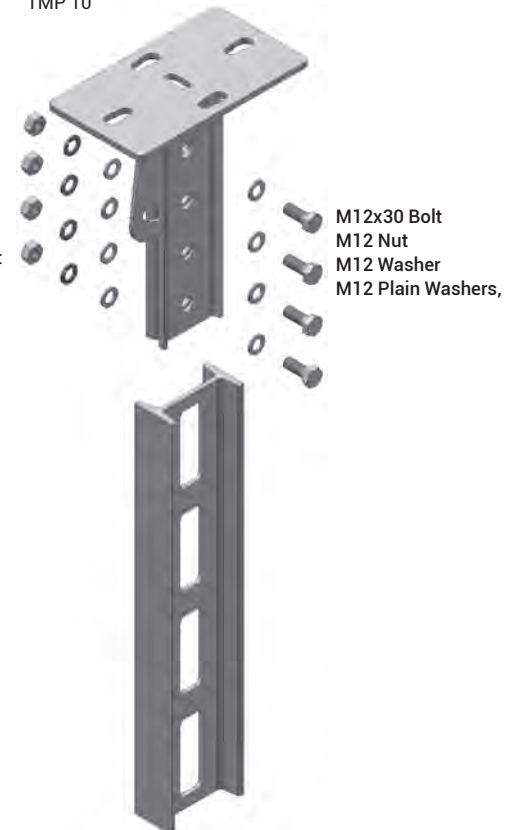
M12 Pull-off Dowel
M12 Nut

TMP 10

STK

STK Connection Part
M10x30 Bolt
M10 Washer
M10 Nut

TMP 10

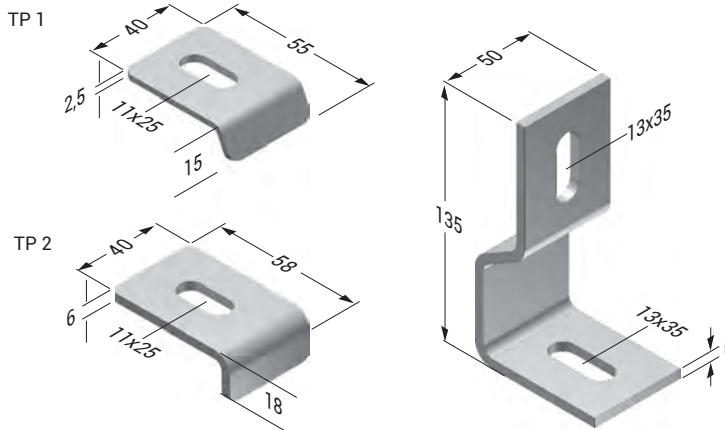


- Please contact your representative for inquiries regarding stainless steel alternatives.
- Please indicate order code in your orders.
- Please contact us for special dimensions.
- Material weights may vary by ± 10%

■ All dimensions are given as in mm

■ PG= Pre-Galvanized
■ HDG= Hot Dip Galvanized

Description	T (mm)	Pack (pcs)	Weight (pcs)	HDG Code
Purlin Pendant	5	20	0,297	2000322

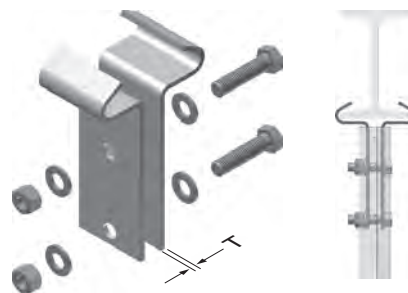


► Support Fittings Alkali Zinc

Description	T (mm)	Weight (kg/pcs)	PG Code
TP 1 Fixing Part	2,5	0,050	3006649
TP 2 Fixing Part	6	0,134	3006350

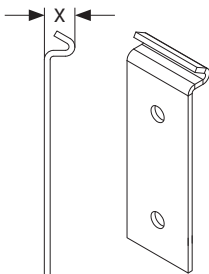
► Support Fittings Hot Dip Galvanized (TS EN ISO 1461)

Description	T (mm)	X (mm)	Tensile Load	Pack (mm)	Weight (kg/set)	HDG Code
ITP Mounting Set IPN-80	4	21	250 kg	10	0,913	3195585
ITP Mounting Set IPN-100	4	25	250 kg	10	0,931	3195586
ITP Mounting Set IPN-120	4	29	250 kg	10	0,949	3195587
ITP Mounting Set IPN-140	4	33	250 kg	10	0,968	3195588

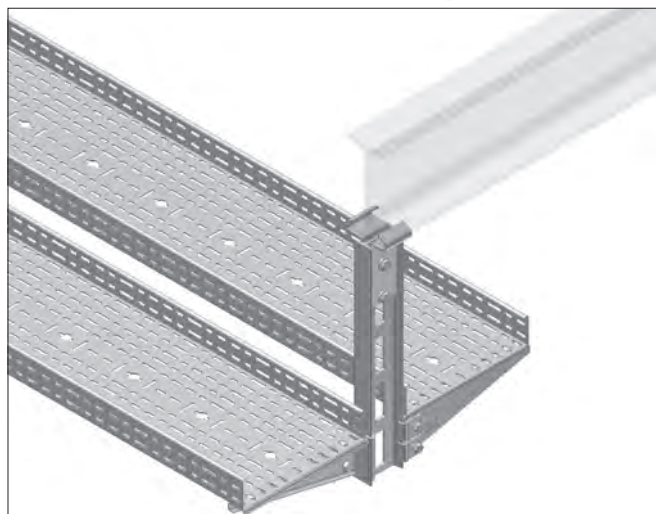
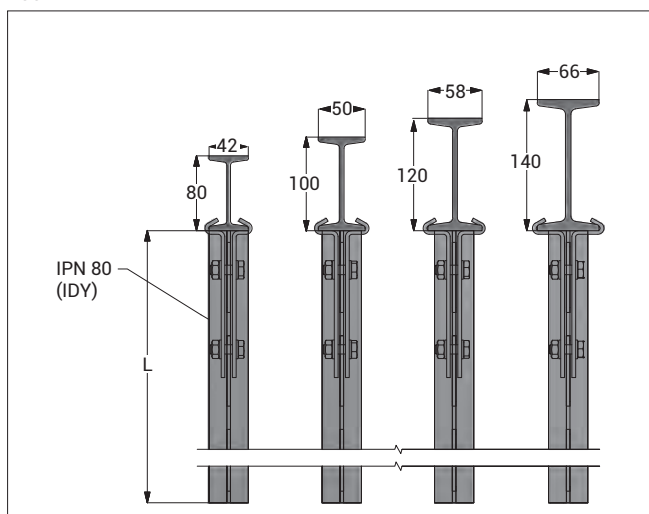


Delivered as set. 1 set includes :

Product	Quantity
ITP Fixing Part	2 pcs.
M12x30 AKB bolt pcs. (DIN 933)	2 pcs.
M12 Nut (DIN934)	2 pcs.
M12 Washer (DIN 125)	4 pcs.



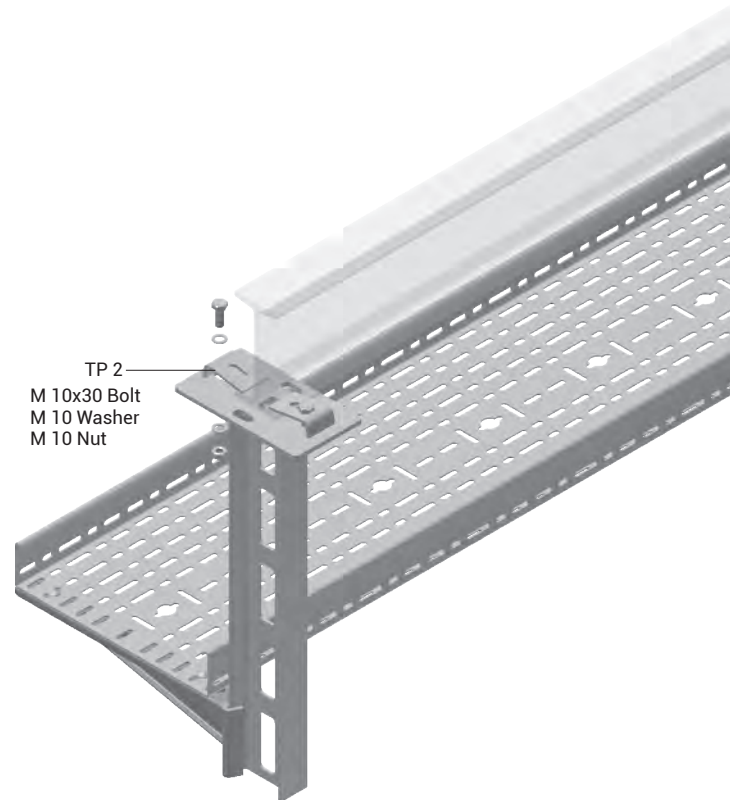
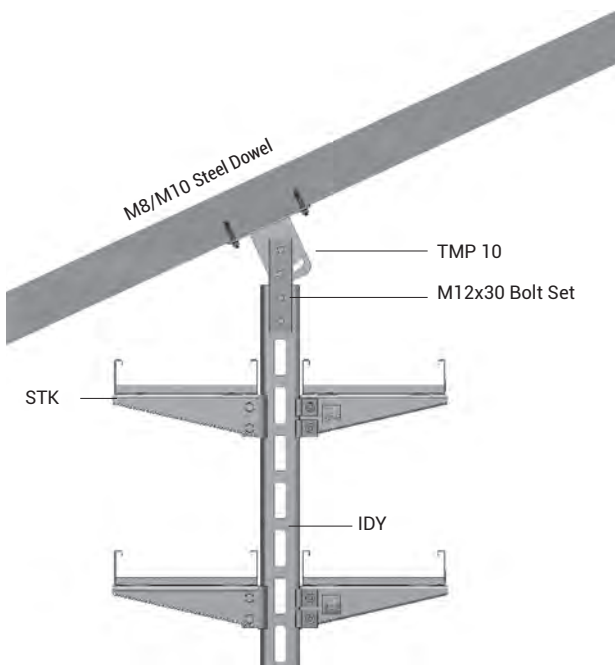
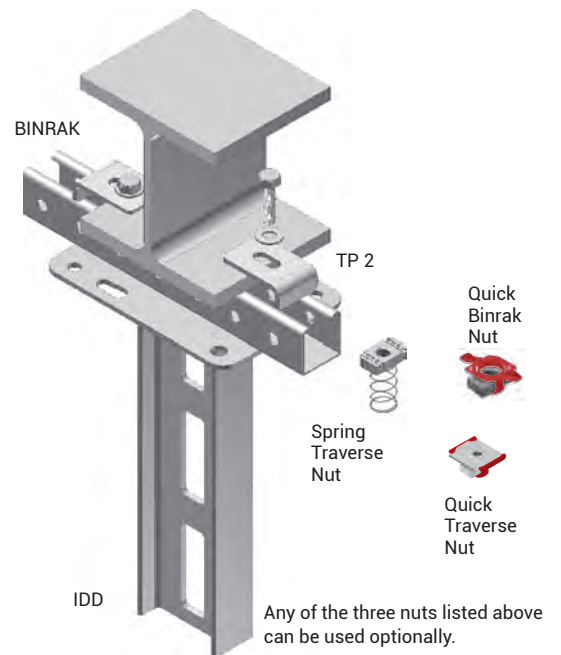
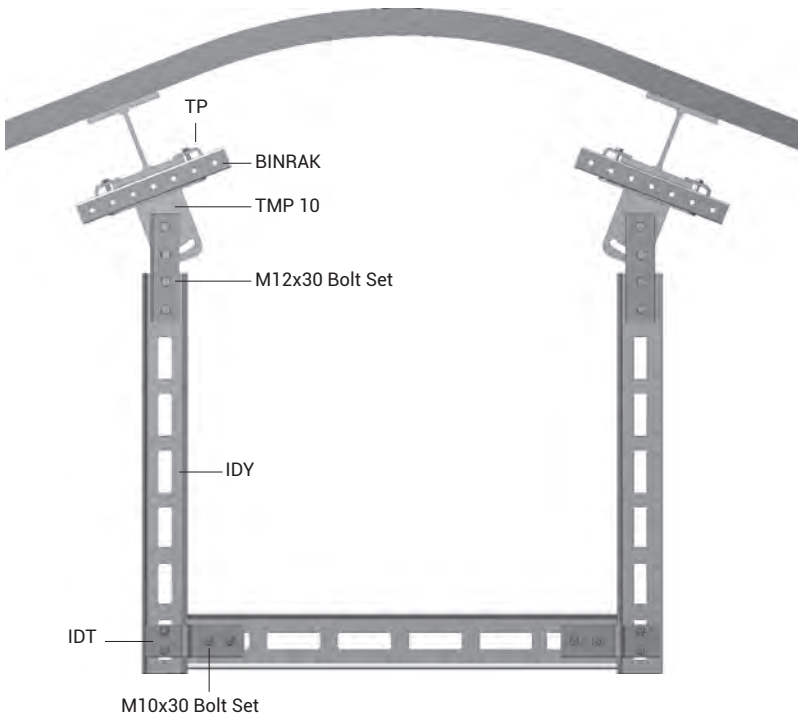
ASSEMBLY DETAIL:



Compatible I beam size range: IPN-80 / IPN-100 / IPN-120 / IPN-140 (max. I-140)

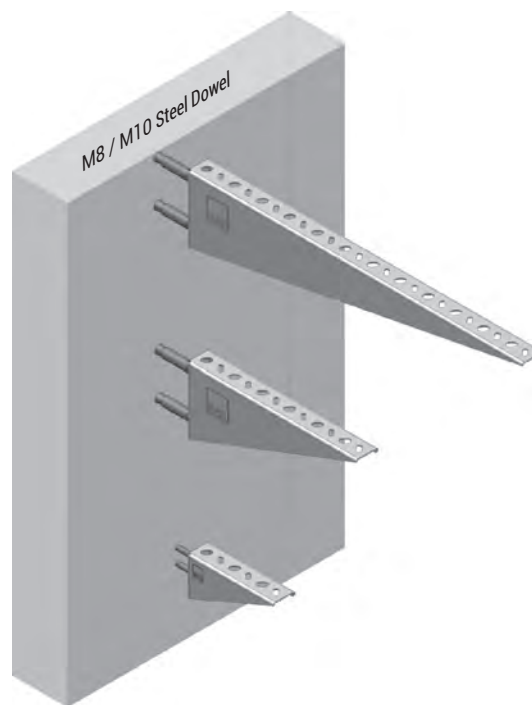
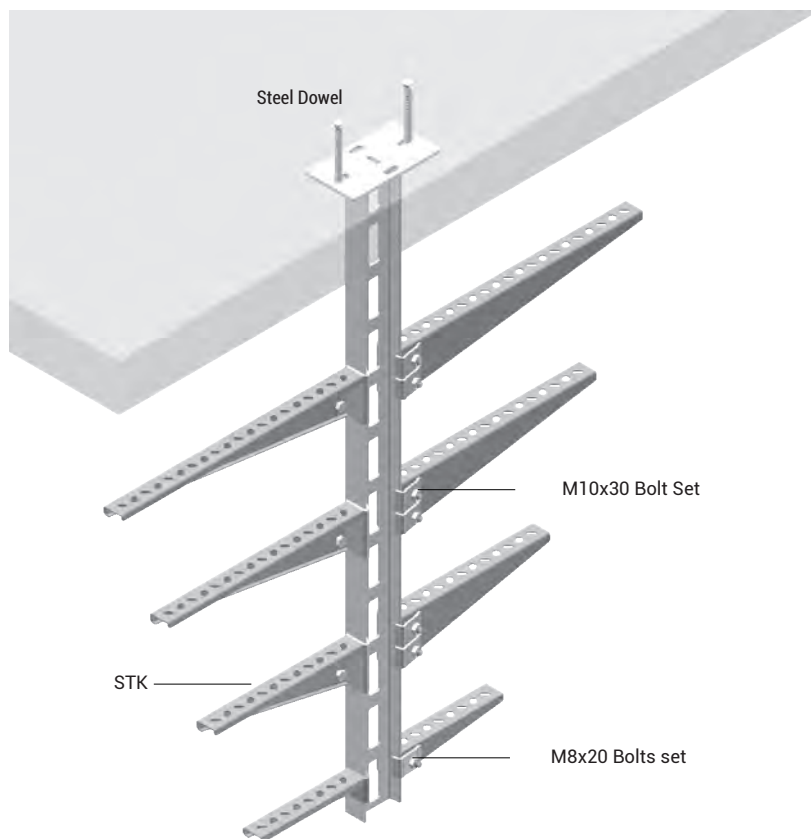
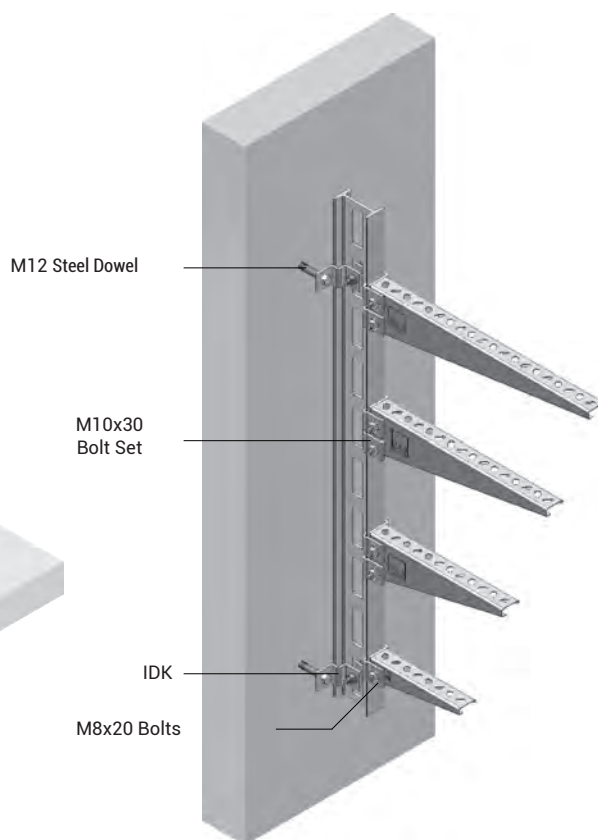
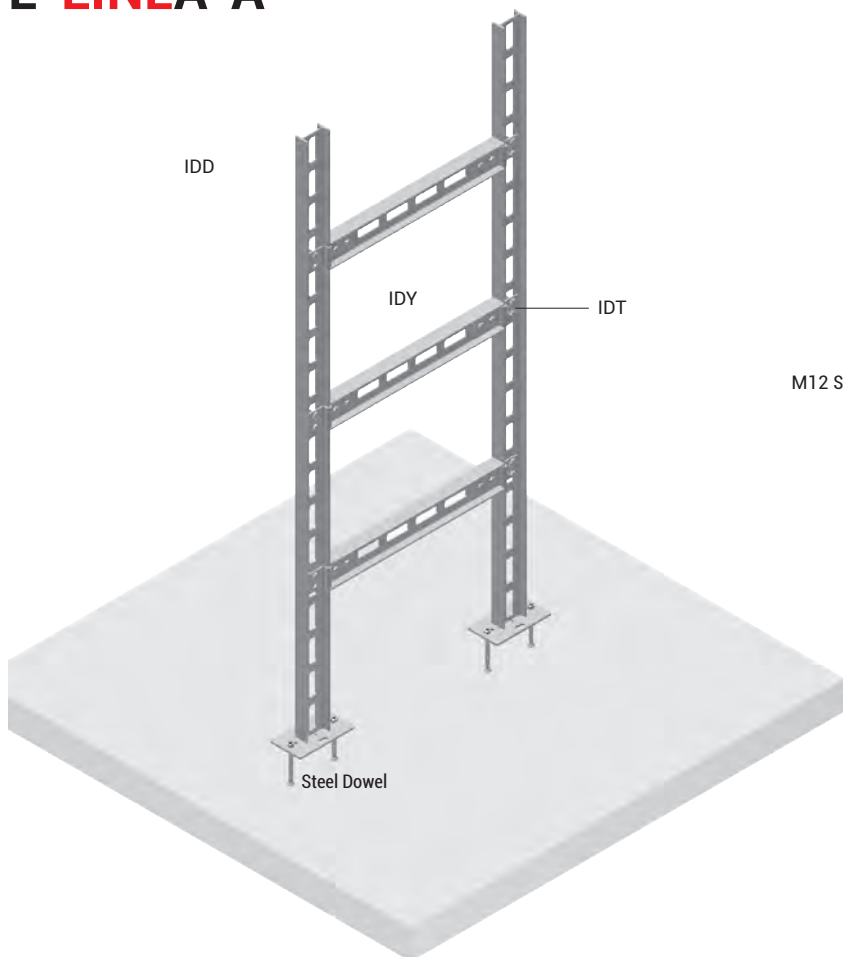
- Please contact your representative for inquiries regarding stainless steel alternatives.
- Please indicate order code in your orders.
- Please contact us for special dimensions.
- Material weights may vary by ± 10%

- All dimensions are given as in mm
- PG= Pre-Galvanized
- HDG= Hot Dip Galvanized



- Please contact your representative for inquiries regarding stainless steel alternatives.
- Please indicate order code in your orders.
- Please contact us for special dimensions.
- Material weights may vary by $\pm 10\%$

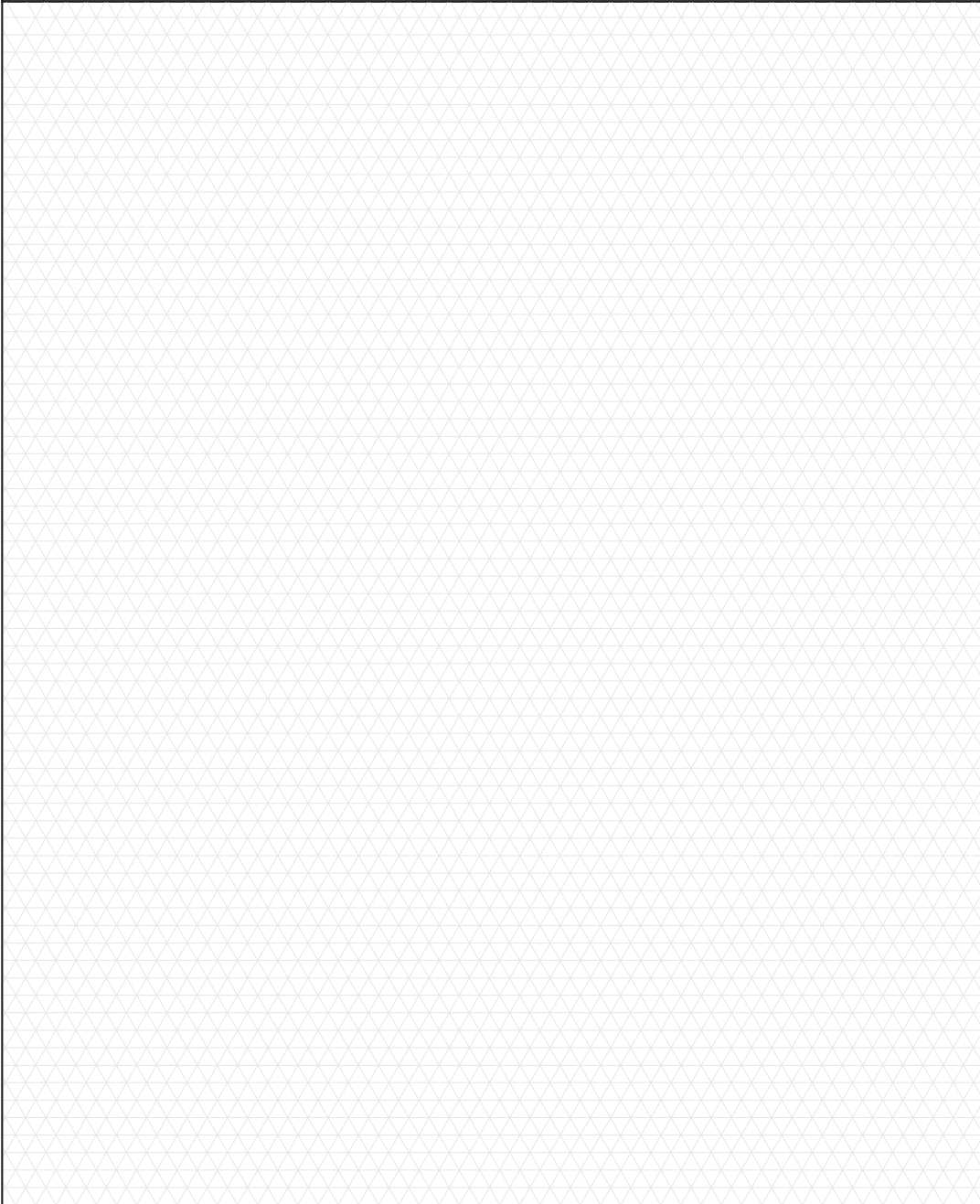
- All dimensions are given as in mm
- PG= Pre-Galvanized
- HDG= Hot Dip Galvanized



- Please contact your representative for inquiries regarding stainless steel alternatives.
- Please indicate order code in your orders.
- Please contact us for special dimensions.
- Material weights may vary by $\pm 10\%$

- All dimensions are given as in mm
- PG= Pre-Galvanized
- HDG= Hot Dip Galvanized

▶▶ PROJECT DESIGN FORM

Component List	Item	Component	Quantity	
				Company:
				Project:
				Project No:
Prepared by			Name :	
			Date :	
			Signature :	

Please duplicate this page for your own use.