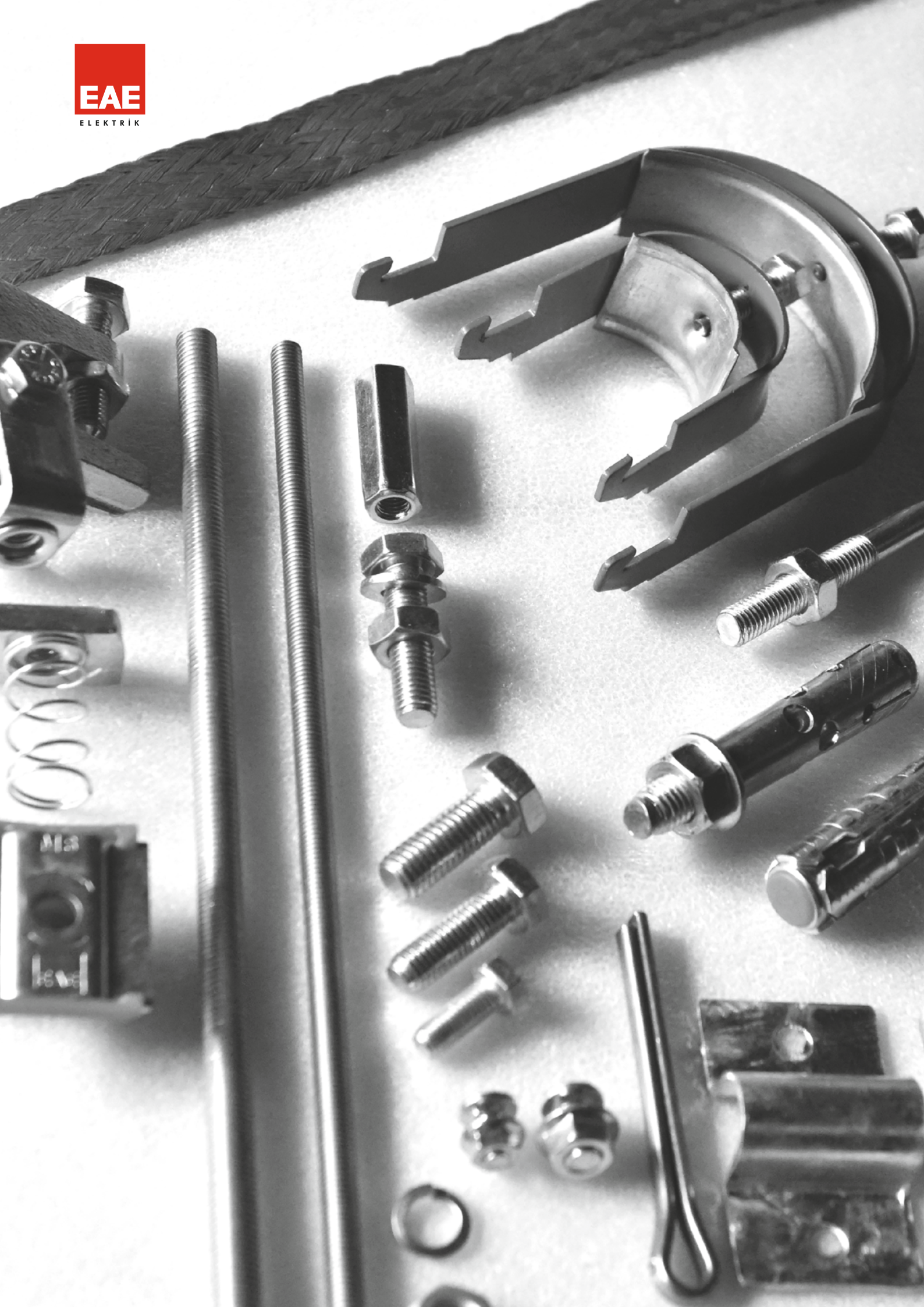


ACCESSORIES



ACCESSORIES





CONTENTS

2-5	Connection Accessories
6	Quick Binrak Nut
7	Quick Traverse Nut
8-9	Cable Clamp
10-12	Earthing Components
13-15	Piping Systems
16	Fixing Accessories
17	Beam Clamp
18	Fixing Accessories

►► CONNECTION ACCESSORIES

Description	Weight (kg/pc)	Order Code
Hex. Head Bolt M6x20	0,007	1000550
Hex. Head Bolt M8x20	0,012	1000559
Hex. Head Bolt M10x30	0,027	1000566
Hex. Head Bolt M12x30	0,039	1000695

Hex. Head Bolt



Description	Weight (kg/pc)	Order Code
M6 Steel Nut	0,004	1000520
M8 Steel Nut	0,005	1000521
M10 Steel Nut	0,010	1000522
M12 Steel Nut	0,015	1000964

Steel Nut



(Lacquered)

Description	Weight (kg/pc)	Order Code
M6 Washer	0,001	1000501
M8 Washer	0,002	1000502
M10 Washer	0,003	1000504
M12 Washer	0,005	1000505

Washer



(Lacquered)

Description	Weight (kg/pc)	Order Code
M6 Spring Washer	0,001	1000506
M8 Spring Washer	0,001	1000507
M10 Spring Washer	0,002	1000508
M12 Spring Washer	0,003	1000509

Spring Washer



(Lacquered)

Description	Weight (kg/pc)	Order Code
M6 Flanged Nut	0,007	1001091
M8 Flanged Nut	0,013	1001181
M10 Flanged Nut	0,020	1000182
M12 Flanged Nut	0,027	1005927

Flanged Nut



(Lacquered)

■ Please indicate order code in your orders.

■ Please contact us for special size.

■ Material weights may vary by $\pm 10\%$

►► CONNECTION ACCESSORIES

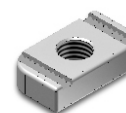
Description	Weight (kg/pc)	Order Code
M6 Spring Traverse Nut	0,030	1004216
M8 Spring Traverse Nut	0,028	1001311
M10 Spring Traverse Nut	0,039	1001312
M12 Spring Traverse Nut	0,038	1001313

Spring Traverse Nut



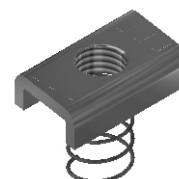
Description	Weight (kg/pc)	Order Code
M6 Traverse Nut	0,020	1003108
M8 Traverse Nut	0,025	1003105
M10 Traverse Nut	0,035	1003106
M12 Traverse Nut	0,038	1003107

Traverse Nut



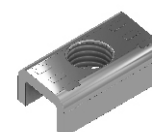
Description	Weight (kg/pc)	Order Code
M6 Spring Sheet Traverse Nut	0,028	1026710
M8 Spring Sheet Traverse Nut	0,031	1026711
M10 Spring Sheet Traverse Nut	0,036	1026712
M12 Spring Sheet Traverse Nut	0,040	1026713

Spring Sheet Traverse Nut



Description	Weight (kg/pc)	Order Code
M6 Sheet Sleeper Nut	0,018	1026714
M8 Sheet Sleeper Nut	0,023	1026715
M10 Sheet Sleeper Nut	0,032	1026716
M12 Sheet Sleeper Nut	0,035	1026717

Sheet Sleeper Nut

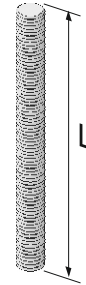


- Please indicate order code in your orders.
- Please contact us for special size.
- Material weights may vary by $\pm 10\%$

►► CONNECTION ACCESSORIES

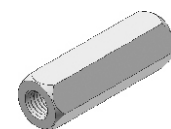
Description	Weight (kg/pc)	Order Code
Threaded Rod (M8x500)	0,145	5000039
Threaded Rod (M8x1000)	0,295	5000038
Threaded Rod (M8x1500)	0,440	5000035
Threaded Rod (M8x2000)	0,600	5000036
Threaded Rod (M8x3000)	0,897	5000006
Threaded Rod (M10x500)	0,245	5000037
Threaded Rod (M10x1000)	0,490	5000032
Threaded Rod (M10x1500)	0,735	5000031
Threaded Rod (M10x2000)	1,030	5000030
Threaded Rod (M10x3000)	1,520	5000029
Threaded Rod (M12x500)	0,350	5000026
Threaded Rod (M12x1000)	0,700	5000034
Threaded Rod (M12x1500)	1,010	5000025
Threaded Rod (M12x2000)	1,300	5000024
Threaded Rod (M12x3000)	2,100	5000000
Threaded Rod (M6x1000) Electro galvanized	0,222	5000357
Threaded Rod (M6x2000) Electro galvanized	0,444	5000358
Threaded Rod (M6x3000) Electro galvanized	0,666	5000359
Threaded Rod (M8x500) Electro galvanized	0,145	5000169
Threaded Rod (M8x1000) Electro galvanized	0,295	5000170
Threaded Rod (M8x1500) Electro galvanized	0,440	5000171
Threaded Rod (M8x2000) Electro galvanized	0,600	1004220
Threaded Rod (M8x3000) Electro galvanized	0,897	5000302
Threaded Rod (M10x500) Electro galvanized	0,245	5000172
Threaded Rod (M10x1000) Electro galvanized	0,490	5000173
Threaded Rod (M10x1500) Electro galvanized	0,735	5000174
Threaded Rod (M10x2000) Electro galvanized	1,030	5000175
Threaded Rod (M10x3000) Electro galvanized	1,571	5000301
Threaded Rod (M12x500) Electro galvanized	0,350	5000176

Threaded Rod



Description	Weight (kg/pc)	Order Code
Extension Nut (M8)	0,030	1004313
Extension Nut (M10)	0,070	1004312
Extension Nut (M12)	0,115	1004282

Extension Nut



(Lacquered)

- Please indicate order code in your orders.
- Please contact us for special size.
- Material weights may vary by $\pm 10\%$

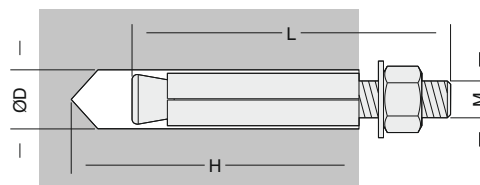
►► FIXING ACCESSORIES

Description	Weight (kg./pc.)	Order Code
EAE Pull-off Dowel (M6)	0,028	5000027
EAE Pull-off Dowel (M8)	0,030	5000033
EAE Pull-off Dowel (M10)	0,070	5000023
EAE Pull-off Dowel (M12)	0,120	5000022



EAE Pull-off Dowel

M	L (mm)	ØD (mm)	H (mm)
M6	65	10	75
M8	60	11	70
M10	85	15	95
M12	90	16	100

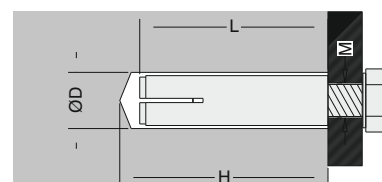


Description	Weight (kg./pc.)	Order Code
Driven Dowel (M8)	0,010	5000018
Driven Dowel (M10)	0,020	5000017



Driven Dowel

M	L (mm)	ØD (mm)	H (mm)
M8	30	10	30
M10	40	12	40

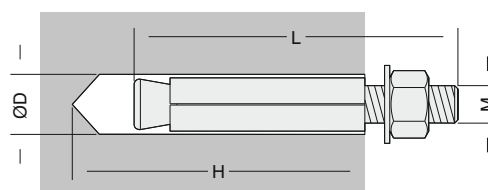


Description	Weight (kg./pc.)	Order Code
Pull Dowel (Jacketed) (M6)	0,033	5000007
Pull Dowel (Jacketed) (M8)	0,030	5000008
Pull Dowel (Jacketed) (M10)	0,070	5000009
Pull Dowel (Jacketed) (M12)	0,120	5000010



Pull Dowel (Jacketed)

M	L (mm)	ØD (mm)	H (mm)
M6	46	8	55
M8	75	10	80
M10	85	12	95
M12	90	16	100

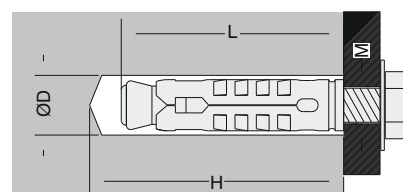


Description	Weight (kg./pc.)	Order Code
Pull Dowel "S" Type (M6)	0,011	5000011
Pull Dowel "S" Type (M8)	0,016	5000012
Pull Dowel "S" Type (M10)	0,031	5000013
Pull Dowel "S" Type (M12)	0,053	5000014



Pull Dowel "S" Type

M	L (mm)	ØD (mm)	H (mm)
M6	45	10	50
M8	57	12	60
M10	63	15	70
M12	75	18	85



■ Please indicate order code in your orders.

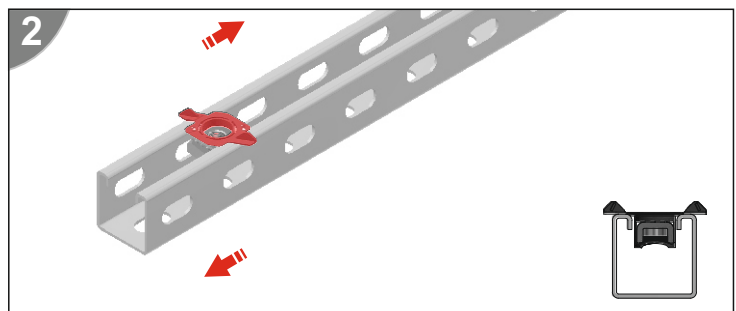
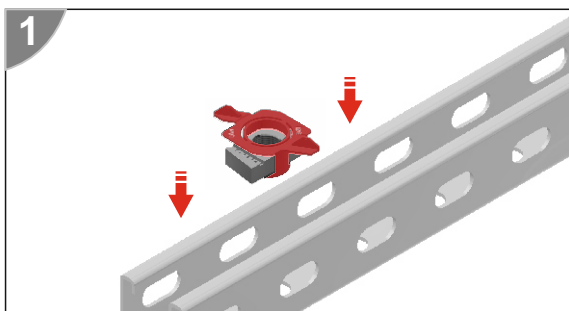
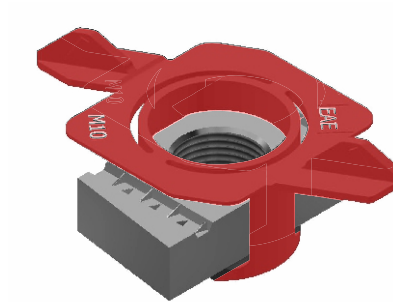
■ Please contact us for special size.

■ Material weights may vary by $\pm 10\%$

►► **QUICK BINRAK NUT**

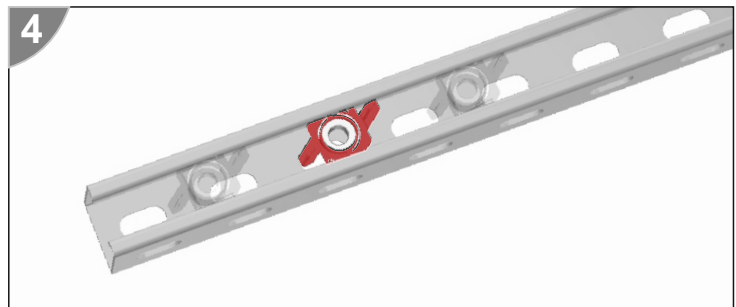
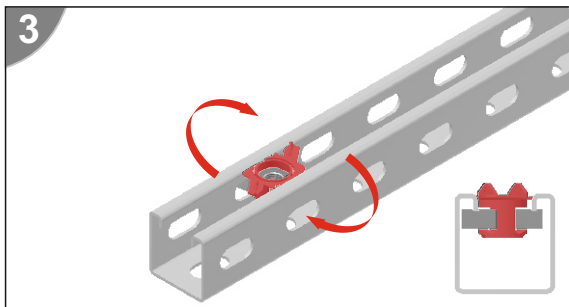


Description	Weight (kg./pc.)	Order Code
M6 Quick Binrak Nut	0,028	1021244
M8 Quick Binrak Nut	0,027	1021245
M10 Quick Binrak Nut	0,034	1021246
M12 Quick Binrak Nut	0,032	1021247



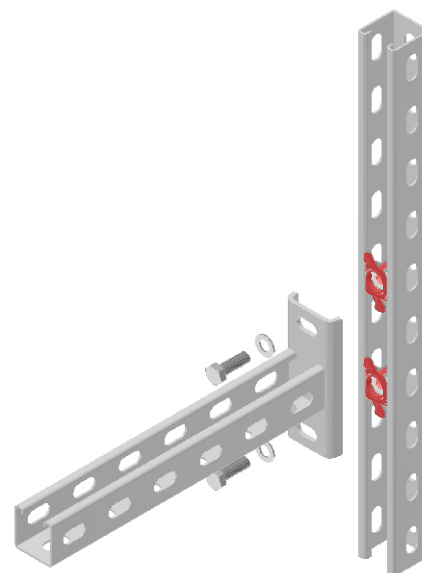
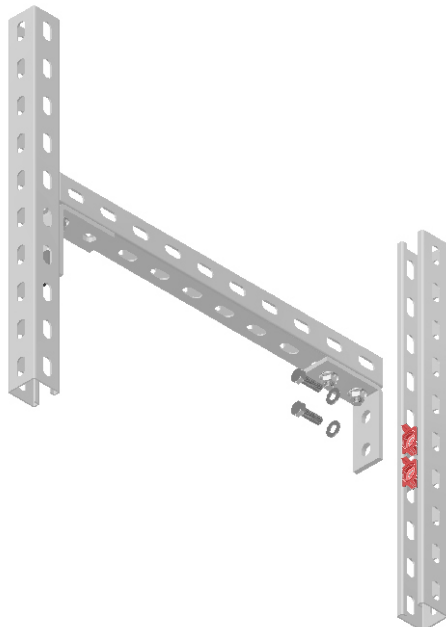
1-2.

Place the Quick Nut into Binrak Channel.



3-4.

By turning the Quick Nut in the direction of the arrow, select its position on the Binrak Channel.



►► CONNECTION ACCESSORIES

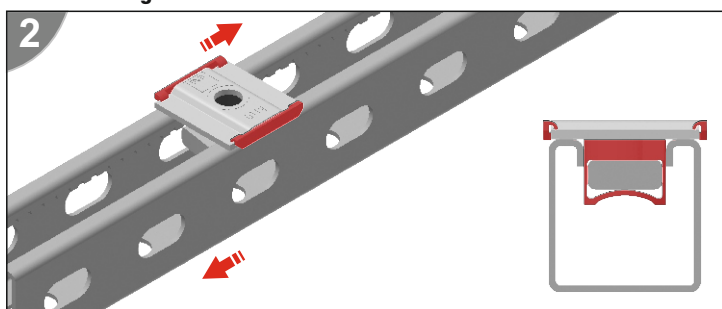
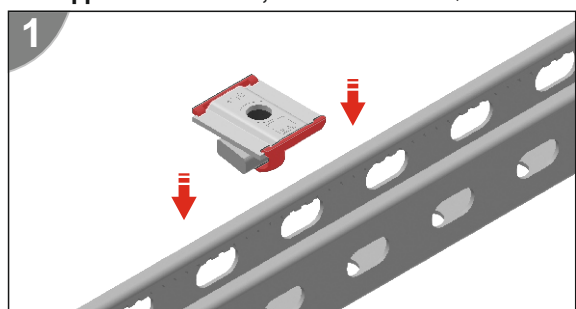
Description	Weight (kg./pc.)	Order Code
M8 Quick Traverse Nut	0,084	1004993
M10 Quick Traverse Nut	0,081	1004994
M12 Quick Traverse Nut	0,078	1004995

Quick Traverse Nut



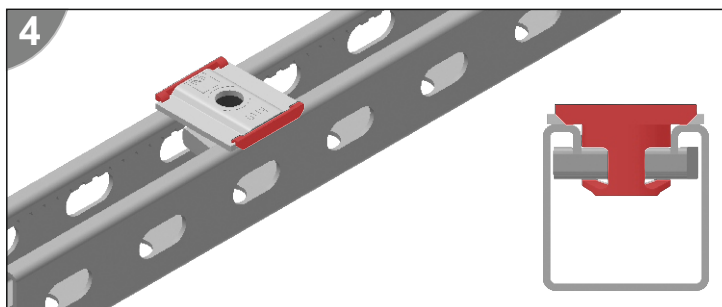
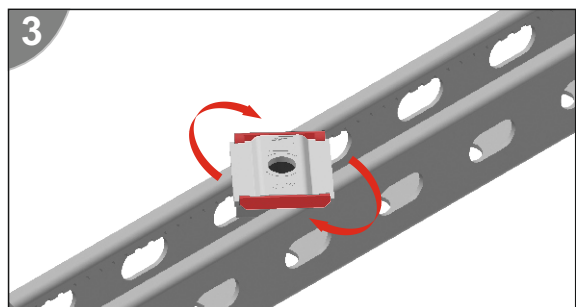
- Speed Traverse Nut can be mounted at any desired point on Binrak.
- Quick Traverse Nut is Zinc coated.

Please use the Quick Nut for fixing the supports and brackets. Please contact with the customer representative for application details, before use the Quick Nut with Binrak Fitting Accessories



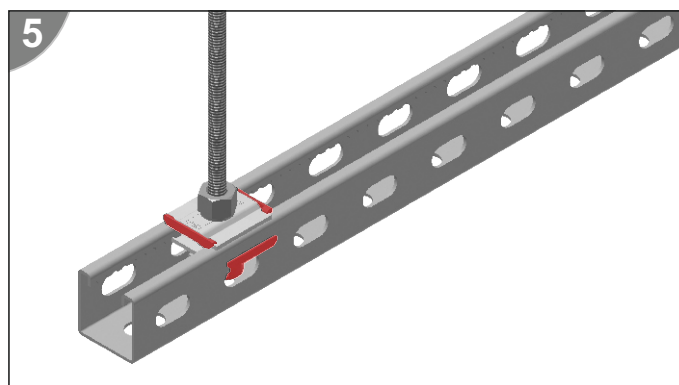
1-2.

Place the Quick Nut into Binrak Channel.



3-4.

By turning the Quick Nut in the direction of the arrow, select its position on the Binrak Channel .



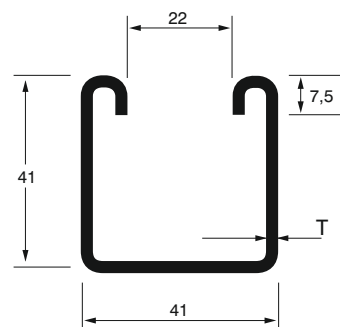
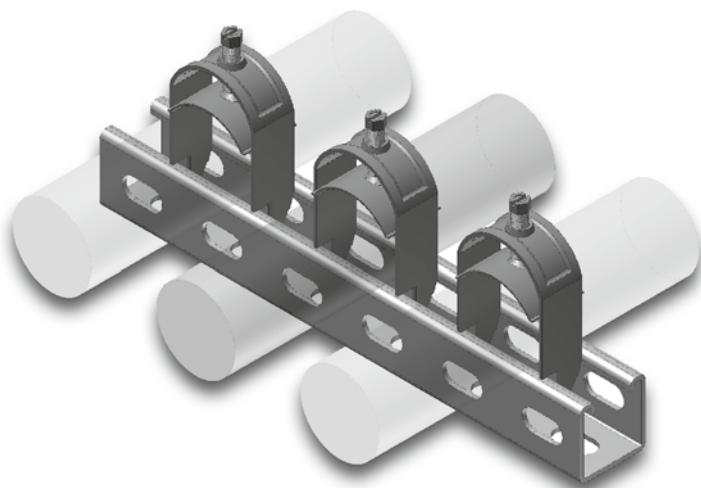
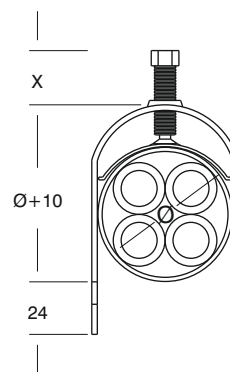
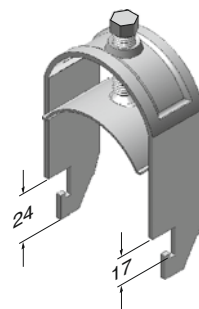
5.

Tighten and fix the Quick Nut at the position selected.

- 21x41mm and 41x41mm can be used with binrak ladders.
- Please indicate order code in your orders.

- Material weights may vary by $\pm 10\%$

Description	Ø mm	X mm	Weight (kg/pc.)	Order Code
1-12 CABLE CLAMP	12	20	0,041	1004215
1-16 CABLE CLAMP	16	20	0,046	1004309
1-20 CABLE CLAMP	20	20	0,061	1004214
1-24 CABLE CLAMP	24	20	0,065	1004213
1-28 CABLE CLAMP	28	20	0,070	1004307
1-32 CABLE CLAMP	32	20	0,075	1004212
1-36 CABLE CLAMP	36	20	0,081	1004211
1-40 CABLE CLAMP	40	30	0,087	1004305
1-44 CABLE CLAMP	44	30	0,094	1004210
1-48 CABLE CLAMP	48	30	0,099	1004209
1-52 CABLE CLAMP	52	30	0,104	1004303
1-56 CABLE CLAMP	56	30	0,109	1004208
1-60 CABLE CLAMP	60	30	0,114	1004207
1-64 CABLE CLAMP	64	30	0,120	1004206
1-70 CABLE CLAMP	70	30	0,126	1004205
1-76 CABLE CLAMP	76	30	0,132	1004204
1-82 CABLE CLAMP	82	30	0,138	1004203
1-88 CABLE CLAMP	88	30	0,145	1004202
1-94 CABLE CLAMP	94	30	0,151	1004201
1-100 CABLE CLAMP	100	30	0,159	1004200



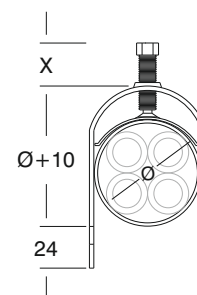
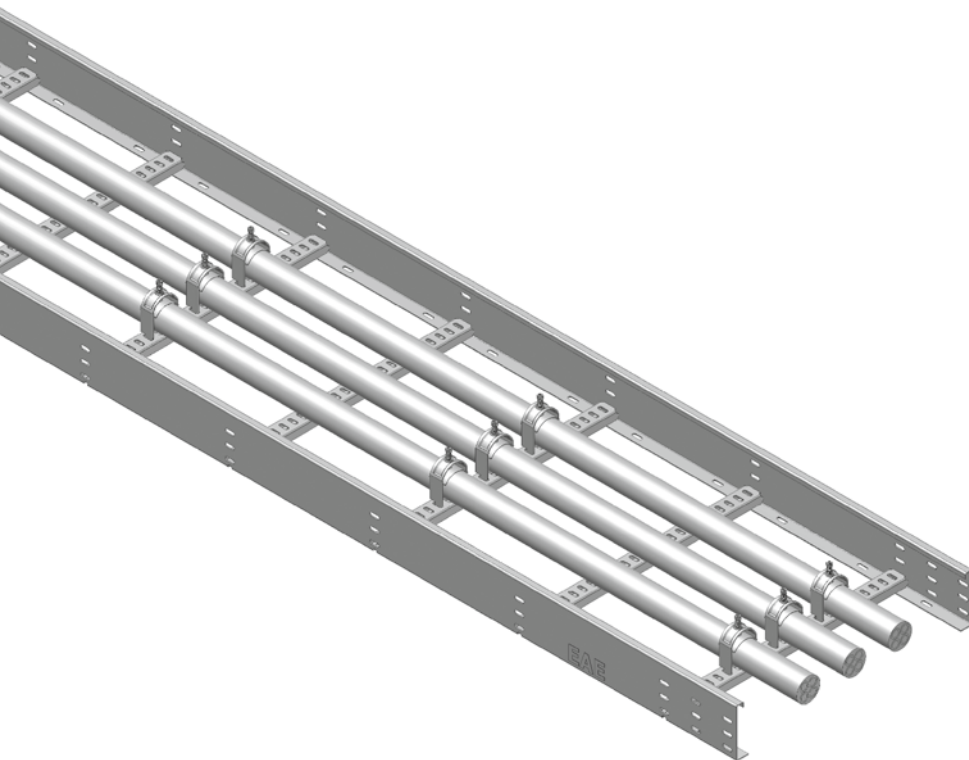
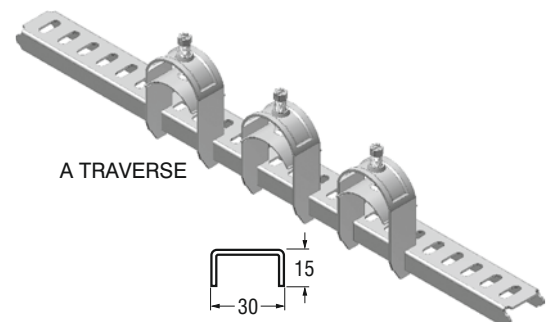
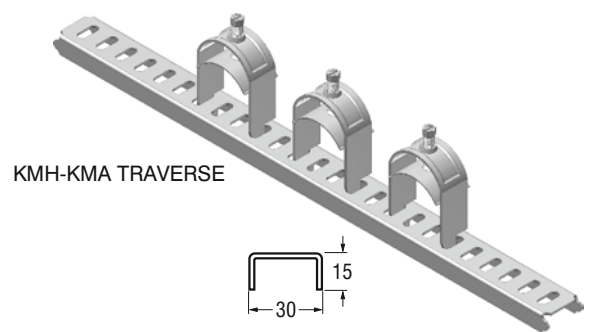
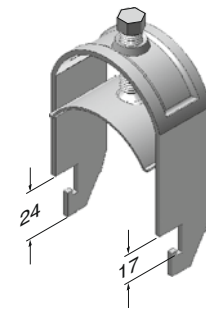
■ 21x41mm and 41x41mm can be used with binrak ladders.

■ Please indicate order code in your orders.

■ Material weights may vary by $\pm 10\%$

►► CABLE CLAMP

Description	Ø mm	X mm	Weight (kg/pc.)	Order Code
1-12 CABLE CLAMP	12	20	0,041	1004215
1-16 CABLE CLAMP	16	20	0,046	1004309
1-20 CABLE CLAMP	20	20	0,061	1004214
1-24 CABLE CLAMP	24	20	0,065	1004213
1-28 CABLE CLAMP	28	20	0,070	1004307
1-32 CABLE CLAMP	32	20	0,075	1004212
1-36 CABLE CLAMP	36	20	0,081	1004211
1-40 CABLE CLAMP	40	30	0,087	1004305
1-44 CABLE CLAMP	44	30	0,094	1004210
1-48 CABLE CLAMP	48	30	0,099	1004209
1-52 CABLE CLAMP	52	30	0,104	1004303
1-56 CABLE CLAMP	56	30	0,109	1004208
1-60 CABLE CLAMP	60	30	0,114	1004207
1-64 CABLE CLAMP	64	30	0,120	1004206
1-70 CABLE CLAMP	70	30	0,126	1004205
1-76 CABLE CLAMP	76	30	0,132	1004204
1-82 CABLE CLAMP	82	30	0,138	1004203
1-88 CABLE CLAMP	88	30	0,145	1004202
1-94 CABLE CLAMP	94	30	0,151	1004201
1-100 CABLE CLAMP	100	30	0,159	1004200



■ 21x41mm and 41x41mm can be used with binrak ladders.

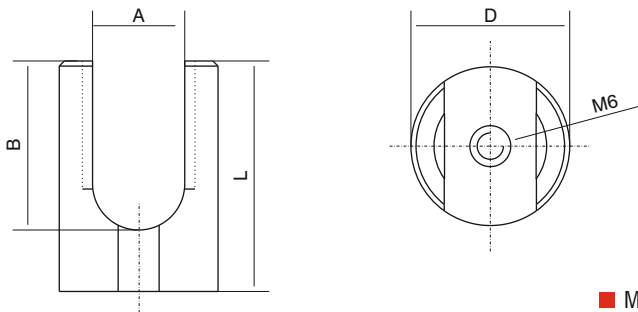
■ Please indicate order code in your orders.

■ Material weights may vary by $\pm 10\%$

►► **EARTHING COMPONENTS**

Description	mm ²	A (mm)	B (mm)	D (mm)	L (mm)	Order Code
Brass Joint and Earthing Connector 1	10-35	8	14	18	22	1004225
Brass Joint and Earthing Connector 2	35-70	10	17	21	25	1004226
Brass Joint and Earthing Connector 3	70-150	16	29	28	39	1004227
Brass Joint and Earthing Connector 4	150-185	18	33	31	45	1004228

Brass Joint and Earthing Connector (Cylindrical)

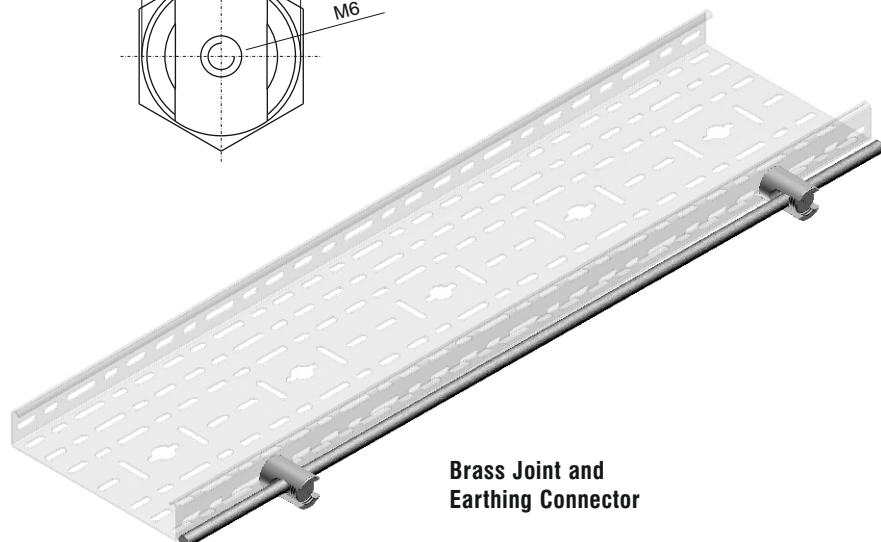
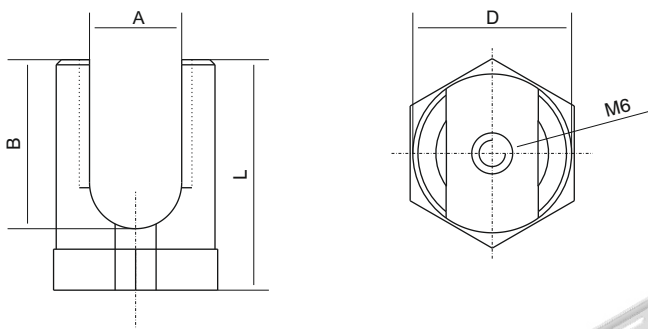


■ M6 bolt set must be purchased for the cable tray installation.

►► **EARTHING COMPONENTS**

Description	mm ²	A (mm)	B (mm)	D (mm)	L (mm)	Order Code
Brass Joint and Earthing Connector 5	10-35	8	14	18	22	1004229
Brass Joint and Earthing Connector 6	35-70	10	17	21	25	1004230
Brass Joint and Earthing Connector 7	70-150	16	29	28	39	1004231
Brass Joint and Earthing Connector 8	150-185	18	33	31	45	1004232

Brass Joint and Earthing Connector (Hexagonal)



Brass Joint and Earthing Connector

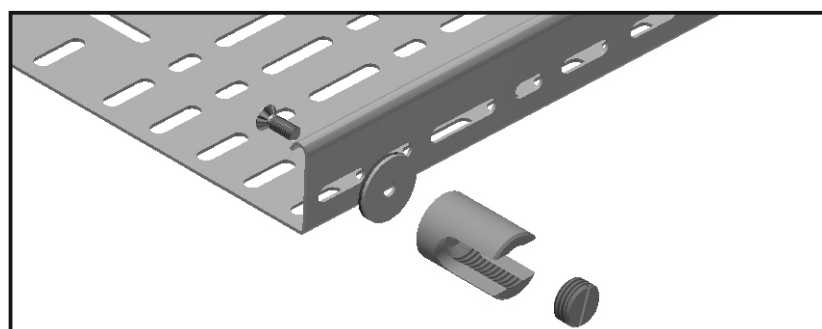
■ Please indicate order code in your orders.

■ Please contact us for special modules.

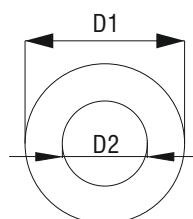
■ Material weights may vary by ± 10%

▶▶ GROUNDING WASHER

Description	D1 (mm)	D2 (mm)	Order Code
Grounding Washer M6	12	6,4	1015408
Grounding Washer M8	16	8,4	1015409
Grounding Washer M10	20	10,5	1015410
Grounding Washer M12	24	13	1015411



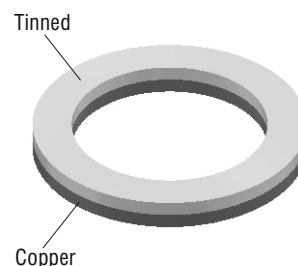
Grounding Washer



■ "Copper and brass should be used in case of contact between materials and galvanized surfaces."

"Tin-coated faces of bimetal materials should be in contact with galvanized surfaces."

Wrong connection will cause galvanic corrosion."

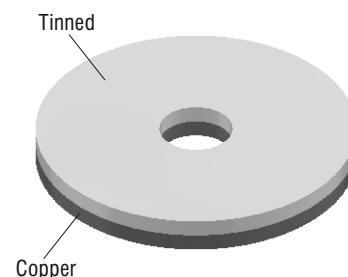
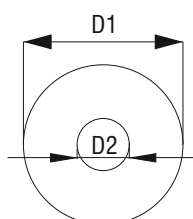


■ M6x12 Star headed bolt using with nut.

▶▶ GROUNDING WASHER

Description	D1 (mm)	D2 (mm)	Order Code
Grounding Washer 10-35 mm ²	18	6,4	1015431
Grounding Washer 35-70 mm ²	21	6,4	1015432
Grounding Washer 70-150 mm ²	28	6,4	1015433
Grounding Washer 150-185 mm ²	31	6,4	1015434

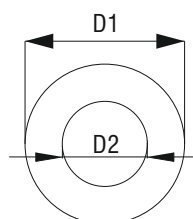
Grounding Washer



▶▶ POLYAMID WASHER

Description	D1 (mm)	D2 (mm)	Order Code
Polyamid Washer M6	12	6,4	1015412
Polyamid Washer M8	16	8,4	1015413
Polyamid Washer M10	20	10,5	1015414
Polyamid Washer M12	24	13	1015415

Polyamid Washer

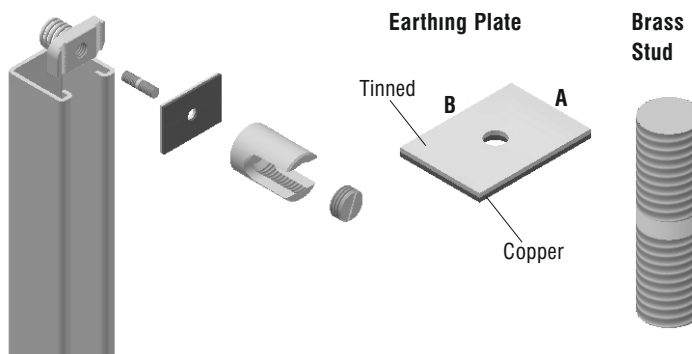


▶▶ EARTHING PLATE

Description	A (mm)	B (mm)	Order Code
Earthing Plate	30	42	1015435

▶▶ BRASS STUD

Description	Order Code
Brass Stud M6x22	1015430



■ Please indicate order code in your orders.

■ Please contact us for special size.

■ Material weights may vary by ± 10%

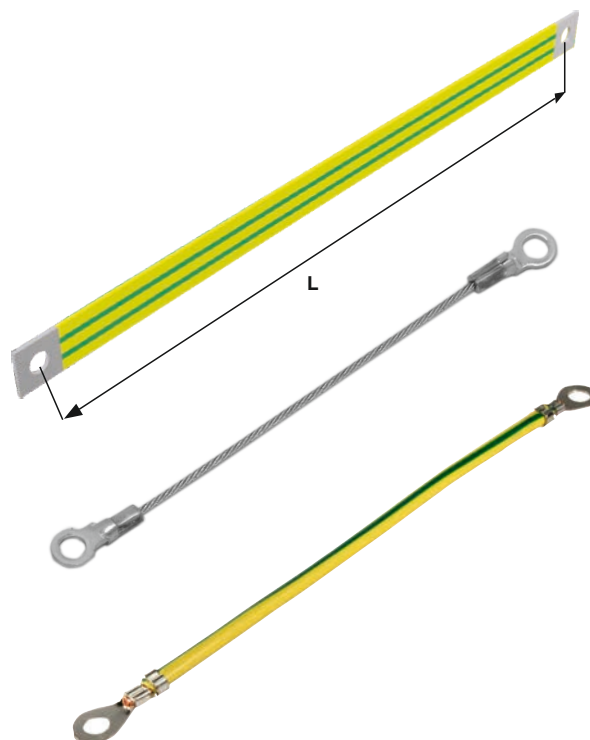
▶▶ GROUNDING CONDUCTOR

Description	Conductor Cross Section	Length (L)	Order Code
Grounding Conductor-10-370	10 mm ²	370 mm	1022651
Grounding Conductor-16-370	16 mm ²	370 mm	1022652
Grounding Conductor-25-370	25 mm ²	370 mm	1022653
Grounding Conductor-35-370	35 mm ²	370 mm	1022654
Grounding Conductor-50-370	50 mm ²	370 mm	1022655
Grounding Conductor-70-370	70 mm ²	370 mm	1022656
Grounding Conductor-95-370	95 mm ²	370 mm	1022657
Grounding Conductor-120-370	120 mm ²	370 mm	1022658

For assembly, 2 sets of M6x12 bolts must be ordered separately.

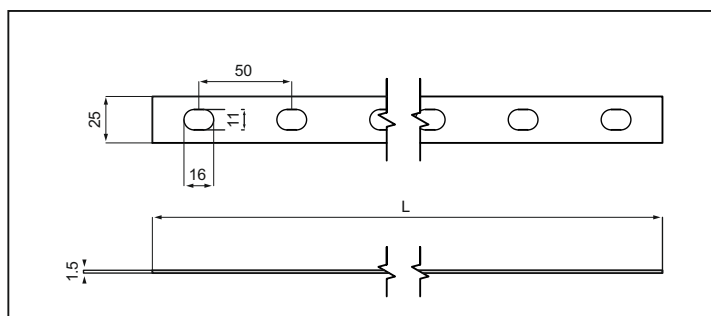
Earthing Conductor Selection Table:

Copper Conductor (Cu)	
Ungrounded Largest Conductor Cross Section within the Channel	Minimum Earthing Conductor Cross Section
≤ 35 mm ²	10 mm ²
50 mm ²	16 mm ²
70 mm ² -95 mm ²	25 mm ²
96 mm ² – 185 mm ²	35 mm ²
186 mm ² – 400 mm ²	50 mm ²
401 mm ² – 650 mm ²	70 mm ²

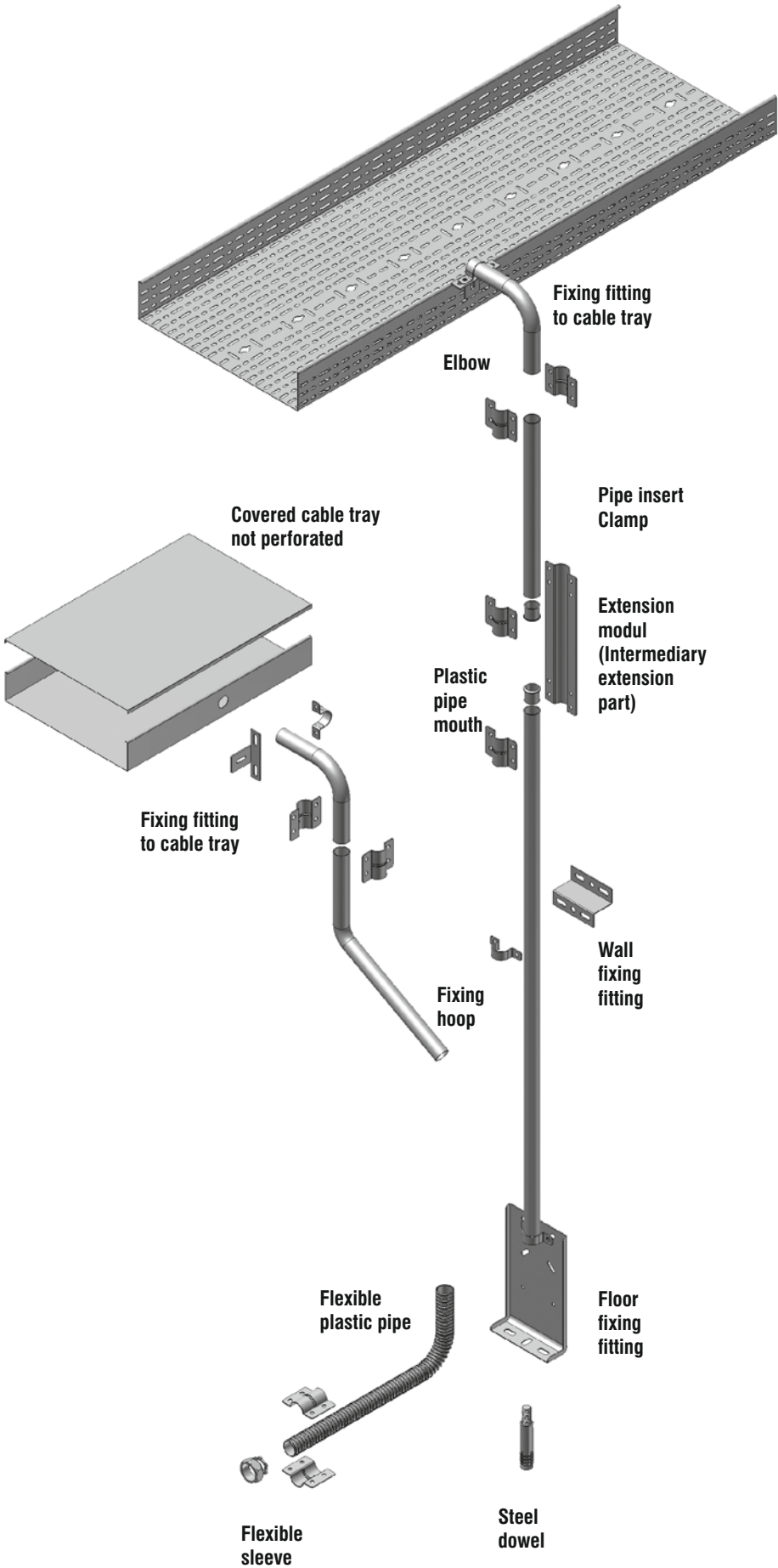


▶▶ PEAR CLAMP

Description	Length (L)	Weight (kg./pc.)	Order Code
PEAR CLAMP (Hot Dip Galvanized)	3000	0,86	3188125
PEAR CLAMP (Pre-galvanized)	3000	0,777	3188126



▶▶ PIPING SYSTEMS



►► CONDUIT WITHOUT THREAD PRE-GALVANIZED COATED

Description	EMT Measure	Outer Diameter	Joint Thickness (mm)	Weight (kg/pc)	Code Pregalvanized
EMT 1/2" PG	1/2"	17,93	1,07	0,44	1034678
EMT 3/4" PG	3/4"	23,42	1,25	0,68	1034679
EMT 1" PG	1"	29,54	1,45	1,00	1034680
EMT 1 1/4" PG	1 1/4"	38,35	1,65	1,49	1034681
EMT 1 1/2" PG	1 1/2"	44,20	1,65	1,73	1034682
EMT 2" PG	2"	55,80	1,65	2,20	1034683
EMT 2 1/2" PG	2 1/2"	73,03	1,83	3,07	1034684
EMT 3" PG	3"	88,90	1,83	3,87	1034685
EMT 4" PG	4"	114,30	2,11	5,81	1034686



►► CONDUIT WITHOUT THREAD GALVANIZED COATED

EMT Measure	Outer Diameter	Joint Thickness (mm)	Weight (kg/pc)	Code Pregalvanized
EMT 1/2" HDG	17,93	1,07	0,44	1034687
EMT 3/4" HDG	23,42	1,25	0,68	1034688
EMT 1" HDG	29,54	1,45	1,00	1034689
EMT 1 1/4" HDG	38,35	1,65	1,49	1034690
EMT 1 1/2" HDG	44,20	1,65	1,73	1034691
EMT 2" HDG	55,80	1,65	2,20	1034692
EMT 2 1/2" HDG	73,03	1,83	3,07	1034693
EMT 3" HDG	88,90	1,83	3,87	1034694
EMT 4" HDG	114,30	2,11	5,81	1034695



- Lütfen siparişlerinizde sipariş kodunu bildiriniz.
- Özel ölçülerdeki siparişleriniz için lütfen firmamızı arayınız.

- Malzeme ağırlıkları yaklaşık değerlerdir, ± % 10 değişim gösterebilir.

▶▶ PIPING SYSTEMS

Description	Weight (kg/pc)	Order Code	Pack (pc.)
Fitting Component to Floor	0,392	3008316	-
Fitting Component to Wall	0,091	3008323	-



Fitting Component to Wall



Fitting Component to Floor

Description	Weight (kg/pc)	Order Code	Pack (pc.)
UK Fixing Component to Cable Tray	0,080	3008315	-

UK Fixing Component to Cable Tray



Description	Weight (kg/pc)	Order Code	Pack (pc.)
(Ø 25) Flexible Sleeve	0,070	1004289	-
(Ø 42) Flexible Sleeve	0,155	1004288	-

Flexible Sleeve



Description	Weight (kg/pc)	Order Code
(Ø 25) Pipe	0,320	1004300
(Ø 42) Pipe	0,490	1004299

Pipe



Description	Weight (kg/pc)	Order Code
(Ø 25) Flexible Pipe	0,054	1004292
(Ø 42) Flexible Pipe	0,072	1004291

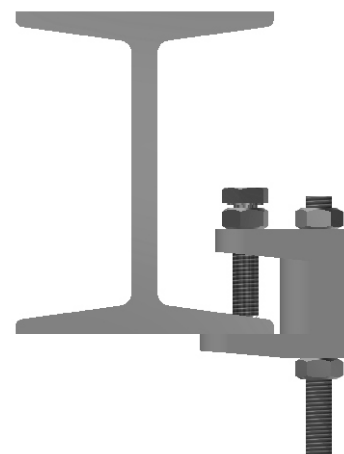
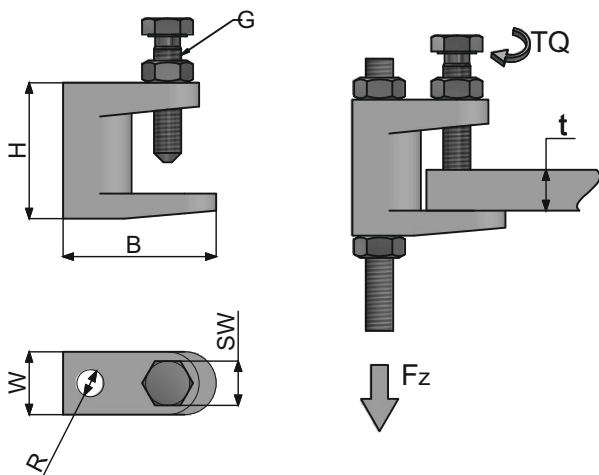
Flexible Pipe



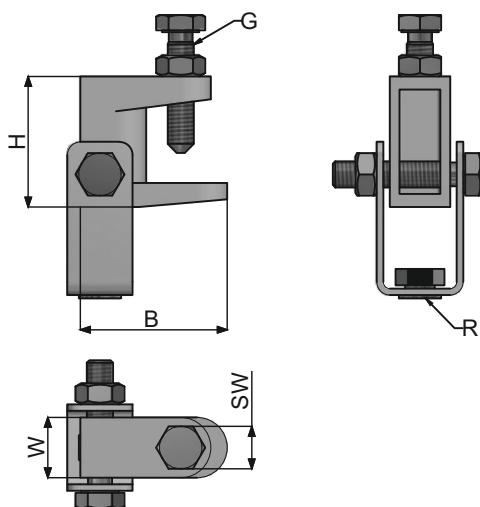
▶▶ BEAM CLAMP

Product	Technical Information							DIMENSIONS				Order Code
	Tightening Bolt G	Support Rod R	Max. Wall Thickness	Max. Safe Load Fz	Tightening Wrench	Spring Load	B	H	W	Weight (kg./pc.)		
M8 Beam Clamp	M8	M8	12 mm	120	13 mm	7 Nm	45mm	40mm	18,5mm	0,170	5000004	
M10 Beam Clamp	M10	M8	15 mm	240	17 mm	7 Nm	48 mm	45mm	21mm	0,180	5000005	
M8 Beam Clamp	M8	M8	12 mm	120	13 mm	7 Nm	45mm	40mm	18,5mm	0,220	5000001	
M10 Beam Clamp	M10	M10	15 mm	240	17 mm	7 Nm	48mm	45mm	21mm	0,230	5000002	
M12 Beam Clamp	M10	M12	15 mm	240	17 mm	7 Nm	48mm	45mm	21mm	0,340	5000003	

▶▶ CLAMP

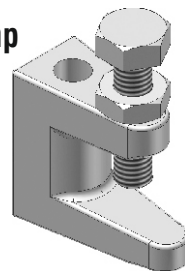


▶▶ BEAM CLAMP



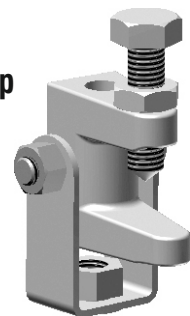
Beam Clamp

M8
M10



Beam Clamp

M8
M10
M12



* Clamps shall be used for constructions with a maximum wall thickness of 15 mm.

* Recommended torque value for clamps is 7 Nm.

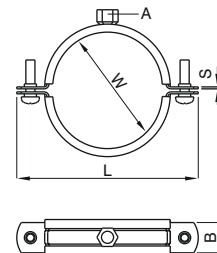
■ Please indicate order code in your orders.

■ Please contact us for special size.

■ Material weights may vary by $\pm 10\%$

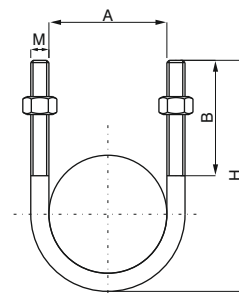
►► FIXING ACCESSORIES

Description	SxB	W	L	A	Weight (kg/pc)	Order Code
Pipe Clamp 3/8"	1,5x20	16-20	58,5	M8	0,057	1003620
Pipe Clamp 1/2"	1,5x20	20-24	62,5	M8	0,061	1003621
Pipe Clamp 3/4"	1,5x20	25-28	68,5	M8	0,067	1003622
Pipe Clamp 1"	1,5x20	32-35	76	M8	0,075	1003623
Pipe Clamp 1 1/4"	1,5x20	39-46	91,5	M8	0,092	1003624
Pipe Clamp 1 1/2"	1,5x20	48-53	99	M8	0,101	1003625
Pipe Clamp 2"	1,5x20	59-66	112	M8	0,117	1003626
Pipe Clamp 2 1/2"	2x25	74-80	134	M10	0,210	1003627
Pipe Clamp 3"	2x25	87-94	146,5	M10	0,228	1003628
Pipe Clamp 4"	2,5x25	110-116	173	M10	0,310	1003629
Pipe Clamp 5"	2,5x25	135-143	199	M10	0,358	1003630
Pipe Clamp 6"	2,5x25	162-170	227	M10	0,398	1003631
Pipe Clamp 8"	2,5x25	207-219	280,7	M10	0,523	1003632



►► FIXING ACCESSORIES

Description	A	H	B	M	Weight (kg/pc)	Order Code
U Bolt 1/2"	24	50	30	M6	0,049	1003652
U Bolt 3/4"	30	60	30	M6	0,052	1003653
U Bolt 1"	36	70	30	M8	0,054	1003654
U Bolt 1 1/4"	46	80	40	M8	0,063	1003655
U Bolt 1 1/2"	52	90	50	M8	0,068	1003656
U Bolt 2"	64	100	50	M10	0,136	1003657
U Bolt 2 1/2"	78	120	50	M10	0,155	1003658
U Bolt 3"	94	140	60	M12	0,266	1003659
U Bolt 4"	118	160	65	M12	0,332	1003661
U Bolt 5"	146	200	65	M12	0,400	1003662
U Bolt 6"	172	220	90	M16	0,756	1003660
U Bolt 8"	224	270	90	M16	1,500	1004128



■ Please indicate order code in your orders.

■ Please contact us for special size.

■ Material weights may vary by $\pm 10\%$

▶▶ CONDUIT WITHOUT THREAD PRE-GALVANIZED

Description	EMT Measure	Outer Diameter	Joint Thickness (mm)	Weight (kg/pc)	Code Pregalvanized
EMT 1/2" PG	1/2"	17,93	1,07	0,44	1034678
EMT 3/4" PG	3/4"	23,42	1,25	0,68	1034679
EMT 1" PG	1"	29,54	1,45	1,00	1034680
EMT 1 1/4" PG	1 1/4"	38,35	1,65	1,49	1034681
EMT 1 1/2" PG	1 1/2"	44,20	1,65	1,73	1034682
EMT 2" PG	2"	55,80	1,65	2,20	1034683
EMT 2 1/2" PG	2 1/2"	73,03	1,83	3,07	1034684
EMT 3" PG	3"	88,90	1,83	3,87	1034685
EMT 4" PG	4"	114,30	2,11	5,81	1034686



▶▶ CONDUIT WITHOUT THREAD HOT-DIP-GALVANIZED

EMT Measure	Outer Diameter	Joint Thickness (mm)	Weight (kg/pc)	Code Pregalvanized
EMT 1/2" HDG	17,93	1,07	0,44	1034687
EMT 3/4" HDG	23,42	1,25	0,68	1034688
EMT 1" HDG	29,54	1,45	1,00	1034689
EMT 1 1/4" HDG	38,35	1,65	1,49	1034690
EMT 1 1/2" HDG	44,20	1,65	1,73	1034691
EMT 2" HDG	55,80	1,65	2,20	1034692
EMT 2 1/2" HDG	73,03	1,83	3,07	1034693
EMT 3" HDG	88,90	1,83	3,87	1034694
EMT 4" HDG	114,30	2,11	5,81	1034695



■ Please indicate order code in your orders.

■ Please contact us for special size.

■ Material weights may vary by $\pm 10\%$

▶▶ EMT THREADLESS GALVANIZED STEEL PIPE ACCESSORIES (FITTINGS)

▶▶ END SOCKET, BOLTED TYPE / ZAMAK

Description	EMT Measure	Package Amount (pcs.)	Pack. Weight (kg.)	Order Code
Conduit 1/2" End socket, bolted type / ZAMAK	1/2"	100	2,20	1034696
Conduit 3/4" End socket, bolted type / ZAMAK	3/4"	100	3,20	1034697
Conduit 1" End socket, bolted type / ZAMAK	1"	50	2,60	1034698
Conduit 1 1/4" End socket, bolted type / ZAMAK	1 1/4"	25	2,20	1034699
Conduit 1 1/2" End socket, bolted type / ZAMAK	1 1/2"	20	2,20	1034700
Conduit 2" End socket, bolted type / ZAMAK	2"	10	1,60	1034701
Conduit 2 1/2" End socket, bolted type / ZAMAK	2 1/2"	40	11,00	1034702
Conduit 3" End socket, bolted type / ZAMAK	3"	40	14,00	1034703
Conduit 4" End socket, bolted type / ZAMAK	4"	20	11,00	1034704



▶▶ END SOCKET, TIGHTENING TYPE / ZAMAK

Description	EMT Measure	Package Amount (pcs.)	Pack. Weight (kg.)	Order Code
Conduit 1/2" End socket, tightening type / ZAMAK	1/2"	100	3,00	1034705
Conduit 3/4" End socket, tightening type / ZAMAK	3/4"	50	2,40	1034706
Conduit 1" End socket, tightening type / ZAMAK	1"	50	3,80	1034707
Conduit 1 1/4" End socket, tightening type / ZAMAK	1 1/4"	25	2,80	1034708
Conduit 1 1/2" End socket, tightening type / ZAMAK	1 1/2"	20	3,40	1034709
Conduit 2" End socket, tightening type / ZAMAK	2"	10	2,60	1034710
Conduit 2 1/2" End socket, tightening type / ZAMAK	2 1/2"	40	13,00	1034711
Conduit 3" End socket, tightening type / ZAMAK	3"	40	18,00	1034712
Conduit 4" End socket, tightening type / ZAMAK	4"	20	15,00	1034713



▶▶ END SOCKET, BOLTED TYPE / STEEL

Description	EMT Measure	Package Amount (pcs.)	Pack. Weight (kg.)	Order Code
Conduit 1/2" End socket, bolted type / STEEL	1/2"	50	2,12	1034714
Conduit 3/4" End socket, bolted type / STEEL	3/4"	25	1,49	1034715
Conduit 1" End socket, bolted type / STEEL	1"	20	1,89	1034716
Conduit 1 1/4" End socket, bolted type / STEEL	1 1/4"	25	4,10	1034717
Conduit 1 1/2" End socket, bolted type / STEEL	1 1/2"	25	4,50	1034718
Conduit 2" End socket, bolted type / STEEL	2"	20	4,70	1034719
Conduit 2 1/2" End socket, bolted type / STEEL	2 1/2"	12	4,00	1034720
Conduit 3" End socket, bolted type / STEEL	3"	12	4,80	1034721
Conduit 4" End socket, bolted type / STEEL	4"	6	3,30	1034722



▶▶ END SOCKET, TIGHTENING TYPE / STEEL

Description	EMT Measure	Package Amount (pcs.)	Pack. Weight (kg.)	Order Code
Conduit 1/2" End socket, tightening type / STEEL	1/2"	25	1,43	1034723
Conduit 3/4" End socket, tightening type / STEEL	3/4"	25	2,05	1034724
Conduit 1" End socket, tightening type / STEEL	1"	10	1,32	1034725
Conduit 1 1/4" End socket, tightening type / STEEL	1 1/4"	25	4,40	1034726
Conduit 1 1/2" End socket, tightening type / STEEL	1 1/2"	20	5,00	1034727
Conduit 2" End socket, tightening type / STEEL	2"	15	4,80	1034728
Conduit 2 1/2" End socket, tightening type / STEEL	2 1/2"	8	6,00	1034729
Conduit 3" End socket, tightening type / STEEL	3"	4	3,60	1034730
Conduit 4" End socket, tightening type / STEEL	4"	4	5,00	1034731



■ Please indicate order code in your orders.

■ Please contact us for special size.

■ Material weights may vary by ± 10%

▶▶ EMT THREADLESS GALVANIZED STEEL PIPE ACCESSORIES

▶▶ SCREW TYPE JOINTS / ZAMAK

Description	EMT Measure	Package Amount (pcs.)	Pack. Weight (kg.)	Order Code
Conduit 1/2" Coupling socket, bolted type / ZAMAK	1/2"	100	2,20	1034732
Conduit 3/4" Coupling socket, bolted type / ZAMAK	3/4"	100	3,20	1034733
Conduit 1" Coupling socket, bolted type / ZAMAK	1"	50	2,60	1034734
Conduit 1 1/4" Coupling socket, bolted type / ZAMAK	1 1/4"	25	2,20	1034735
Conduit 1 1/2" Coupling socket, bolted type / ZAMAK	1 1/2"	20	2,20	1034736
Conduit 2" Coupling socket, bolted type / ZAMAK	2"	10	1,60	1034737
Conduit 2 1/2" Coupling socket, bolted type / ZAMAK	2 1/2"	40	11,00	1034738
Conduit 3" Coupling socket, bolted type / ZAMAK	3"	40	14,00	1034739
Conduit 4" Coupling socket, bolted type / ZAMAK	4"	20	11,00	1034740



▶▶ COUPLING SOCKET, TIGHTENING TYPE / ZAMAK

Description	EMT Measure	Package Amount (pcs.)	Pack. Weight (kg.)	Order Code
Conduit 1/2" Coupling socket, tightening type / ZAMAK	1/2"	100	3,80	1034741
Conduit 3/4" Coupling socket, tightening type / ZAMAK	3/4"	50	2,80	1034742
Conduit 1" Coupling socket, tightening type / ZAMAK	1"	50	4,20	1034743
Conduit 1 1/4" Coupling socket, tightening type / ZAMAK	1 1/4"	25	3,40	1034744
Conduit 1 1/2" Coupling socket, tightening type / ZAMAK	1 1/2"	20	3,60	1034745
Conduit 2" Coupling socket, tightening type / ZAMAK	2"	10	2,40	1034746
Conduit 2 1/2" Coupling socket, tightening type / ZAMAK	2 1/2"	40	14,70	1034747
Conduit 3" Coupling socket, tightening type / ZAMAK	3"	40	18,80	1034748
Conduit 4" Coupling socket, tightening type / ZAMAK	4"	20	16,60	1034749



▶▶ COUPLING SOCKET, BOLTED TYPE / STEEL

Description	EMT Measure	Package Amount (pcs.)	Pack. Weight (kg.)	Order Code
Conduit 1/2" Coupling socket, bolted type / STEEL	1/2"	50	1,87	1034750
Conduit 3/4" Coupling socket, bolted type / STEEL	3/4"	25	1,34	1034751
Conduit 1" Coupling socket, bolted type / STEEL	1"	20	1,66	1034752
Conduit 1 1/4" Coupling socket, bolted type / STEEL	1 1/4"	25	4,20	1034753
Conduit 1 1/2" Coupling socket, bolted type / STEEL	1 1/2"	25	4,70	1034754
Conduit 2" Coupling socket, bolted type / STEEL	2"	20	5,20	1034755
Conduit 2 1/2" Coupling socket, bolted type / STEEL	2 1/2"	12	7,00	1034756
Conduit 3" Coupling socket, bolted type / STEEL	3"	12	9,00	1034757
Conduit 4" Coupling socket, bolted type / STEEL	4"	6	6,40	1034758



▶▶ COUPLING SOCKET, TIGHTENING TYPE / STEEL

Description	EMT Measure	Package Amount (pcs.)	Pack. Weight (kg.)	Order Code
Conduit 1/2" Coupling socket, tightening type / STEEL	1/2"	25	1,70	1034759
Conduit 3/4" Coupling socket, tightening type / STEEL	3/4"	25	2,30	1034760
Conduit 1" Coupling socket, tightening type / STEEL	1"	10	1,43	1034761
Conduit 1 1/4" Coupling socket, tightening type / STEEL	1 1/4"	25	4,70	1034762
Conduit 1 1/2" Coupling socket, tightening type / STEEL	1 1/2"	20	5,80	1034763
Conduit 2" Coupling socket, tightening type / STEEL	2"	15	4,70	1034764
Conduit 2 1/2" Coupling socket, tightening type / STEEL	2 1/2"	8	7,00	1034765
Conduit 3" Coupling socket, tightening type / STEEL	3"	4	4,20	1034766
Conduit 4" Coupling socket, tightening type / STEEL	4"	4	6,10	1034767



■ Please indicate order code in your orders.

■ Please contact us for special size.

■ Material weights may vary by $\pm 10\%$

▶▶ EMT THREADLESS GALVANIZED STEEL PIPE ACCESSORIES (CROCHES / CLAMPS)

▶▶ FASTENING CLIP, TWO HOLES / STEEL

Description	EMT Measure	Outer Diameter (mm)	Package Amount (pcs.)	Package Weight (kg.)	Order Code
Conduit 1/2" Fastening clip, two holes / STEEL	1/2"	17,93	100	2,20	1034768
Conduit 3/4" Fastening clip, two holes / STEEL	3/4"	23,42	100	3,20	1034769
Conduit 1" Fastening clip, two holes / STEEL	1"	29,54	50	2,60	1034770
Conduit 1 1/4" Fastening clip, two holes / STEEL	1 1/4"	38,35	25	2,20	1034771
Conduit 1 1/2" Fastening clip, two holes / STEEL	1 1/2"	44,20	20	2,20	1034772
Conduit 2" Fastening clip, two holes / STEEL	2"	55,80	10	1,60	1034773
Conduit 2 1/2" Fastening clip, two holes / STEEL	2 1/2"	73,03	40	11,00	1034774
Conduit 3" Fastening clip, two holes / STEEL	3"	88,90	40	14,00	1034775
Conduit 4" Fastening clip, two holes / STEEL	4"	114,30	20	11,00	1034776



▶▶ FASTENING CLIP, SINGLE HOLE

Description	EMT Measure	Outer Diameter (mm)	Package Amount (pcs.)	Package Weight (kg.)	Order Code
Conduit 1/2" Fastening clip, single hole / STEEL	1/2"	17,93	100	3,80	1034777
Conduit 3/4" Fastening clip, single hole / STEEL	3/4"	23,42	100	2,80	1034778
Conduit 1" Fastening clip, single hole / STEEL	1"	29,54	50	4,20	1034779
Conduit 1 1/4" Fastening clip, single hole / STEEL	1 1/4"	38,35	25	3,40	1034780
Conduit 1 1/2" Fastening clip, single hole / STEEL	1 1/2"	44,20	20	3,60	1034781
Conduit 2" Fastening clip, single hole / STEEL	2"	55,80	10	2,40	1034782
Conduit 2 1/2" Fastening clip, single hole / STEEL	2 1/2"	73,03	40	14,70	1034783
Conduit 3" Fastening clip, single hole / STEEL	3"	88,90	40	18,80	1034784
Conduit 4" Fastening clip, single hole / STEEL	4"	114,30	20	16,60	1034785



▶▶ HANGER CLIP

Description	EMT Measure	Package Amount (pcs.)	Package Weight (kg.)	Order Code
Conduit 1/2" Hanger clip/ STEEL	1/2"	50	1,87	1034786
Conduit 3/4" Hanger clip/ STEEL	3/4"	25	1,34	1034787
Conduit 1" Hanger clip/ STEEL	1"	20	1,66	1034788
Conduit 1 1/4" Hanger clip/ STEEL	1 1/4"	25	4,20	1034789
Conduit 1 1/2" Hanger clip/ STEEL	1 1/2"	25	4,70	1034790
Conduit 2" Hanger clip/ STEEL	2"	20	5,20	1034791
Conduit 2 1/2" Hanger clip/ STEEL	2 1/2"	12	7,00	1034792
Conduit 3" Hanger clip/ STEEL	3"	12	9,00	1034793
Conduit 4" Hanger clip/ STEEL	4"	6	6,40	1034794



▶▶ FASTENING CLIP, TWO HOLES

Description	EMT Measure	Package Amount (pcs.)	Package Weight (kg.)	Order Code
Conduit 1/2" Strut hanger clip / STEEL	1/2"	25	1,70	1034795
Conduit 3/4" Strut hanger clip / STEEL	3/4"	25	2,30	1034796
Conduit 1" Strut hanger clip / STEEL	1"	10	1,43	1034797
Conduit 1 1/4" Strut hanger clip / STEEL	1 1/4"	25	4,70	1034798
Conduit 1 1/2" Strut hanger clip / STEEL	1 1/2"	20	5,80	1034799
Conduit 2" Strut hanger clip / STEEL	2"	15	4,70	1034800
Conduit 2 1/2" Strut hanger clip / STEEL	2 1/2"	8	7,00	1034801
Conduit 3" Strut hanger clip / STEEL	3"	4	4,20	1034802
Conduit 4" Strut hanger clip / STEEL	4"	4	6,10	1034803



■ Please indicate order code in your orders.

■ Please contact us for special size.

■ Material weights may vary by ± 10%

▶▶ EMT THREADLESS GALVANIZED STEEL PIPE ACCESSORIES (ADAPTERS)

▶▶ CONDUIT TO FLEXIBLE CONNECTOR / BOLTED, TIGHTENING /ZAMAK

Description	EMT Measure	Suitable Spiral Measure	Package Amount (kg.)	Order Code
Conduit 1/2" Conduit to Flexible Connector / bolted, tightening /ZAMAK	1/2"	MN... -16	50	1034804
Conduit 3/4" Conduit to Flexible Connector / bolted, tightening /ZAMAK	3/4"	MN... -21	50	1034805
Conduit 1" Conduit to Flexible Connector / bolted, tightening/ZAMAK	1"	MN... -26	25	1034806
Conduit 1 1/4" Conduit to Flexible Connector / bolted, tightening/ZAMAK	1 1/4"	MN... -35	20	1034807
Conduit 1 1/2" Conduit to Flexible Connector / bolted, tightening/ZAMAK	1 1/2"	MN... -40	10	1034808
Conduit 2" Conduit to Flexible Connector / bolted, tightening/ZAMAK	2"	MN... -52	10	1034809
Conduit 2 1/2" Conduit to Flexible Connector / bolted, tightening/ZAMAK	2 1/2"	MN... -63	25	1034810
Conduit 3" Conduit to Flexible Connector / bolted, tightening/ZAMAK	3"	MN... -78	20	1034811
Conduit 4" Conduit to Flexible Connector / bolted, tightening/ZAMAK	4"	MN... -102	10	1034812



▶▶ CONDUIT TO FLEXIBLE CONNECTOR/ TIGHTENING/ZAMAK

Description	EMT Measure	Suitable Spiral Measure	Package Amount (kg.)	Order Code
Conduit 1/2" Conduit to Flexible Connector/ tightening/ZAMAK	1/2"	MN... -16	100	1034813
Conduit 3/4" Conduit to Flexible Connector/ tightening/ZAMAK	3/4"	MN... -21	50	1034814
Conduit 1" Conduit to Flexible Connector/ tightening/ZAMAK	1"	MN... -26	25	1034815
Conduit 1 1/4" Conduit to Flexible Connector/ tightening/ZAMAK	1 1/4"	MN... -35	20	1034816
Conduit 1 1/2" Conduit to Flexible Connector/ tightening/ZAMAK	1 1/2"	MN... -40	10	1034817
Conduit 2" Conduit to Flexible Connector/ tightening/ZAMAK	2"	MN... -52	10	1034818
Conduit 2 1/2" Conduit to Flexible Connector/ tightening/ZAMAK	2 1/2"	MN... -63	25	1034819
Conduit 3" Conduit to Flexible Connector/ tightening/ZAMAK	3"	MN... -78	20	1034820
Conduit 4" Conduit to Flexible Connector/ tightening/ZAMAK	4"	MN... -102	10	1034821



▶▶ CONDUIT TO FLEXIBLE CONNECTOR/ BOLTED TYPE/ZAMAK

Description	EMT Measure	Suitable Spiral Measure	Package Amount (kg.)	Order Code
Conduit 1/2" Conduit to Flexible Connector/ bolted type/ZAMAK	1/2"	MN... -16	50	1034822
Conduit 3/4" Conduit to Flexible Connector/ bolted type/ZAMAK	3/4"	MN... -21	40	1034823
Conduit 1" Conduit to Flexible Connector/ bolted type/ZAMAK	1"	MN... -26	20	1034824



▶▶ CONNECTOR/ BOLTED TYPE/STEEL

Description	EMT Measure	Suitable Spiral Measure	Package Amount (kg.)	Order Code
Conduit 1/2" Conduit to Flexible Connector/ bolted type/STEEL	1/2"	MN... -16	50	1034825
Conduit 3/4" Conduit to Flexible Connector/ bolted type/STEEL	3/4"	MN... -21	50	1034826
Conduit 1" Conduit to Flexible Connector/ bolted type/STEEL	1"	MN... -26	25	1034827
Conduit 1 1/4" Conduit to Flexible Connector/ bolted type/STEEL	1 1/4"	MN... -35	20	1034828
Conduit 1 1/2" Conduit to Flexible Connector/ bolted type/STEEL	1 1/2"	MN... -40	10	1034829
Conduit 2" Conduit to Flexible Connector/ bolted type/STEEL	2"	MN... -52	10	1034830
Conduit 2 1/2" Conduit to Flexible Connector/ bolted type/STEEL	2 1/2"	MN... -63	25	1034831
Conduit 3" Conduit to Flexible Connector/ bolted type/STEEL	3"	MN... -78	20	1034832
Conduit 4" Conduit to Flexible Connector/ bolted type/STEEL	4"	MN... -102	10	1034833



■ Please indicate order code in your orders.

■ Please contact us for special size.

■ Material weights may vary by $\pm 10\%$

▶▶ EMT THREADLESS GALVANIZED STEEL PIPE ACCESSORIES (ELBOWS)

▶▶ 45°- STEEL BEND

Description	EMT Measure	Suitable Spiral Measure	Package Amount (kg.)	Order Code
Conduit 1/2" Steel bend 45°	1/2"	100	10,60	1034834
Conduit 3/4" Steel bend 45°	3/4"	100	17,50	1034835
Conduit 1" Steel bend 45°	1"	50	17,50	1034836
Conduit 1 1/4" Steel bend 45°	1 1/4"	40	28,00	1034837
Conduit 1 1/2" Steel bend 45°	1 1/2"	40	32,50	1034838
Conduit 2" Steel bend 45°	2"	15	13,50	1034839
Conduit 2 1/2" Steel bend 45°	2 1/2"	10	20,00	1034840
Conduit 3" Steel bend 45°	3"	9	24,50	1034841
Conduit 4" Steel bend 45°	4"	9	43,00	1034842



▶▶ 90°- STEEL BEND

Description	EMT Measure	Package Amount (pcs.)	Package Weight (kg.)	Order Code
Conduit 1/2" Steel bend 90°	1/2"	200	20,0	1034843
Conduit 3/4" Steel bend 90°	3/4"	100	12,0	1034844
Conduit 1" Steel bend 90°	1"	50	16,0	1034845
Conduit 1 1/4" Steel bend 90°	1 1/4"	25	14,0	1034846
Conduit 1 1/2" Steel bend 90°	1 1/2"	20	16,0	1034847
Conduit 2" Steel bend 90°	2"	15	18,0	1034848
Conduit 2 1/2" Steel bend 90°	2 1/2"	10	20,0	1034849
Conduit 3" Steel bend 90°	3"	9	24,5	1034850
Conduit 4" Steel bend 90°	4"	9	43,0	1034851



▶▶ 90°- CONTROL BEND, BOLTED TYPE

Description	EMT Measure	Package Amount (pcs.)	Package Weight (kg.)	Order Code
Conduit 1/2" Control bend 90° , bolted type	1/2"	50	3,2	1034852
Conduit 3/4" Control bend 90° , bolted type	3/4"	40	4,2	1034853
Conduit 1" Control bend 90° , bolted type	1"	20	4,0	1034854



▶▶ 90°- CONTROL BEND SIDE CAP

Description	EMT Measure	Package Amount (pcs.)	Package Weight (kg.)	Order Code
Conduit 1/2" Control bend side cap 90°	1/2"	50	3,6	1034855
Conduit 3/4" Control bend side cap 90°	3/4"	25	2,2	1034856
Conduit 1" Control bend side cap 90°	1"	20	3,2	1034857



▶▶ ELBOW BOLTED TYPE

Description	EMT Measure	Package Amount (pcs.)	Package Weight (kg.)	Order Code
Conduit 1/2" Elbow bolted type	1/2"	100	3,4	1034858
Conduit 3/4" Elbow bolted type	3/4"	50	2,2	1034859
Conduit 1" Elbow bolted type	1"	50	3,0	1034860



■ Please indicate order code in your orders.

■ Please contact us for special size.

■ Material weights may vary by ± 10%

▶▶ EMT THREADLESS GALVANIZED STEEL PIPE ACCESSORIES (ELBOWS)

▶▶ 90 ° - SIDE COVER - RECORDER-SCREWED ELBOW

Description	EMT Measure	Pack. Amount of	Pack. Weight (kg.)	Order Code
Conduit 1/2" Control bend side cap bolted type 90°	1/2"	50	3,2	1034861
Conduit 3/4" Control bend side cap bolted type 90°	3/4"	40	4,2	1034862
Conduit 1" Control bend side cap bolted type 90°	1"	20	4,0	1034863

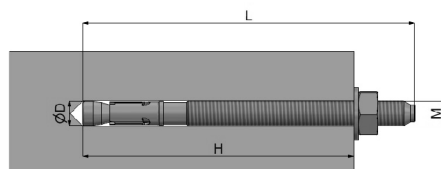


▶▶ CLIP-ON ANCHOR BOLT

Description	Weight (kg./ad.)	Order Code
EAE Clip-on Anchor M8	1/2"	1034869
EAE Clip-on Anchor M10	3/4"	1034870
EAE Clip-on Anchor M12	1"	1034871



M	L (mm)	ØD (mm)	H (mm)
M8	75	75	75
M10	90	90	90
M12	110	110	110



■ Please indicate order code in your orders.

■ Please contact us for special size.

■ Material weights may vary by ± 10%