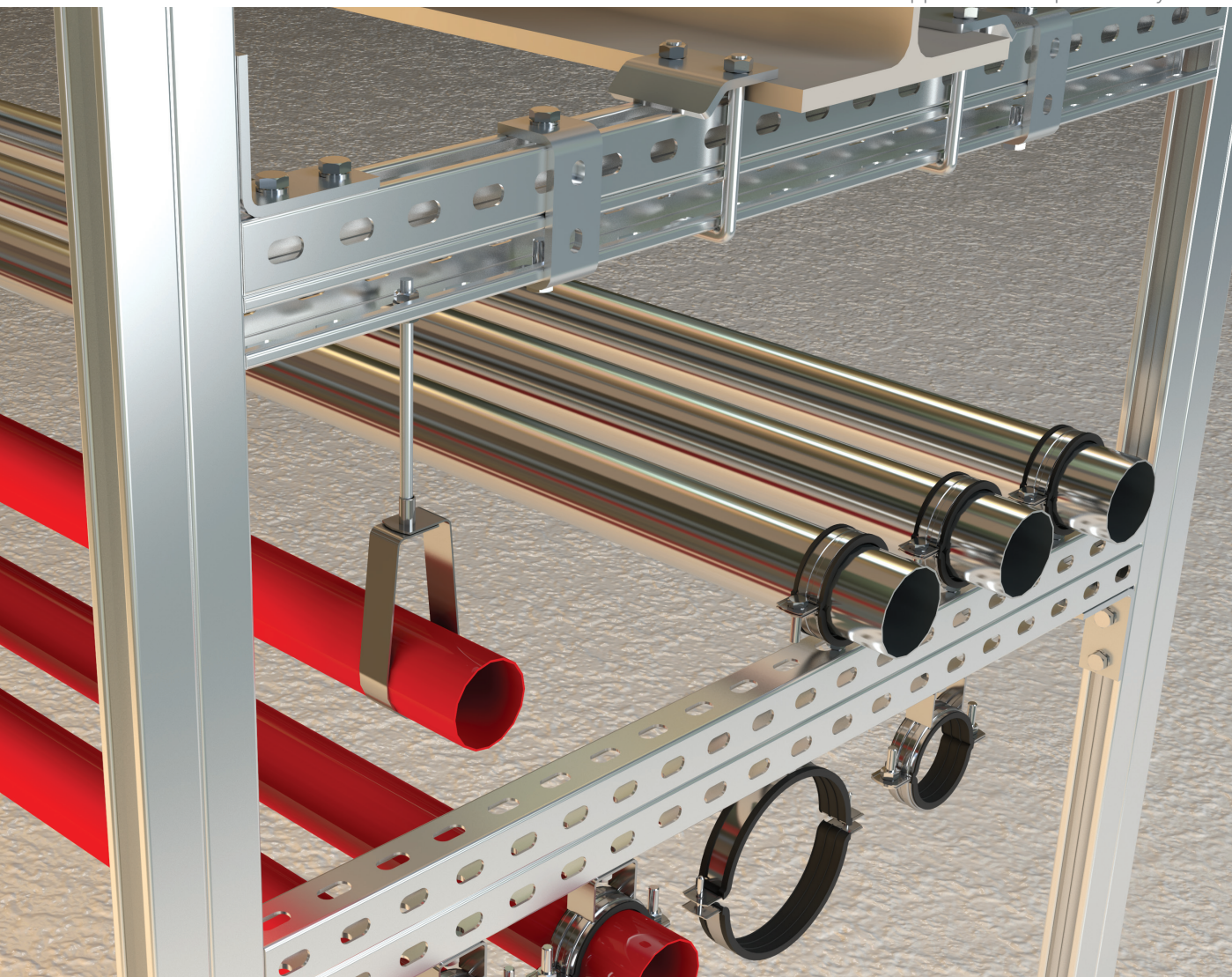




MFIX

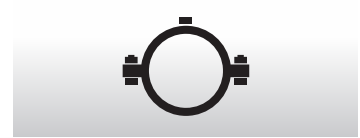
Electro-Mechanical Support and Suspension Systems



MFIX

PIPE SUSPENSION CLAMPS

5-34



BINRAK STRUT CHANNEL

35-50



U-PROFILE SUPPORTS

51-58



C-PROFILE SUPPORTS

59-66



L-PROFILE SUPPORTS

67-74



CONSOLE TYPE SUPPORTS

75-86



HEAVY DUTY TYPE SUPPORTS

87-98



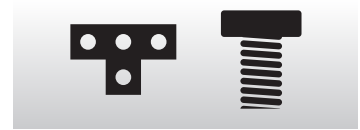
INDUSTRIAL BUILD PROFILE

99-122



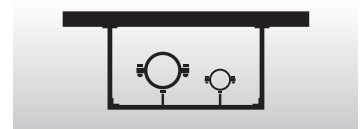
PROFILE JOINTING ACCESSORIES ASSEMBLY JUNCTION PIECES

123-138



ASSEMBLY APPLICATIONS

139-144



ABOUT MFIX...

MFIX Electro-Mechanical Support and Suspension Systems offer the most convenient and professional solutions for mechanical installation hanger projects with their high quality and practicality. The modular structure gives the advantage of fast and easy assembly which prevents poor and unsatisfactory installations.

MFIX Electro-Mechanical Support and Suspension Systems offer diversity of design. Suspension parts can be coated through special coating methods in accordance with the customer requirements. The MFIX range has a high corrosion resistance which enables MFIX to pass a salt test of 400 hours with the help of special coating techniques. The system offers different product solutions for light, medium and heavy loads.

The MFIX Electro-Mechanical Support and Suspension Systems range is backed by expert staff each specialized in their own area of expertise offering solutions for every type of buildings with product profiles in distinct designs (G, U, C, L) with customized static calculation simulation specific for each project.

EAE has branches and agencies in Istanbul, Ankara, Konya, Izmir, Bursa, Antalya and Gaziantep within the country and in numerous countries such as Russia (Moscow), UAE (Dubai, Abu Dhabi), India (Bangalore, Mumbai, New Delhi), Saudi Arabia (Jeddah, Riyadh) distributors and authorized resellers in 65 countries from the United Kingdom to Taiwan.





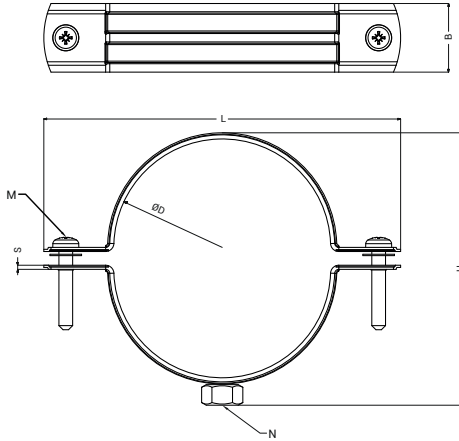
PIPE CLAMPS



ELECTRO-MECHANICAL SUPPORT AND SUSPENSION SYSTEMS

PIPE CLAMPS & NUT (Without Rubber)

Used for supporting pipe assemblies (both vertical and horizontal) on walls, ceilings and floors.



Dimensions	Operating Load (KN)	Breaking Load (KN)
3/8" - 1 1/4"	1,3	3,9
1 1/2" - 67.71	1,6	4,8
2 1/2" - 116.125	2,3	6,9
129.141 - 8"	2,6	7,8

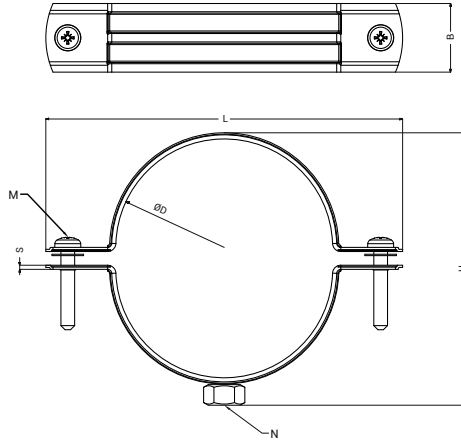
Product	ØD (Inch) (mm)	L (mm)	H (mm)	M	N	SxB (mm)	Clamping Interval (mm)	Pieces in Box	Box Weight (kg)	Standart
										Order Code
Pipe Clamps (Without Rubber)	3/8"	52	22,5	M5	M8	1x20	15 - 20	300	9,06	1017784
Pipe Clamps (Without Rubber)	1/2"	54,5	24	M5	M8	1x20	19 - 23	250	7,87	1017785
Pipe Clamps (Without Rubber)	23-28	58,5	26	M5	M8	1x20	23 - 28	150	5,117	1037080
Pipe Clamps (Without Rubber)	3/4"	62,5	28	M5	M8	1x20	26 - 30	200	7,054	1017786
Pipe Clamps (Without Rubber)	1"	68,5	31	M5	M8	1x20	32 - 35	200	7,574	1017787
Pipe Clamps (Without Rubber)	1 1/4"	76	34,5	M5	M8	1x20	39 - 43	150	6,281	1017788
Pipe Clamps (Without Rubber)	1 1/2"	91,5	39	M5	M8	1,2x20	45 - 51	100	5,317	1017789
Pipe Clamps (Without Rubber)	54-58	99	42,5	M5	M8	1,2x20	54 - 58	100	5,769	1017790
Pipe Clamps (Without Rubber)	2"	105	45,5	M5	M8	1,2x20	60 - 65	100	6,108	1017791
Pipe Clamps (Without Rubber)	67 - 71	112	49	M5	M8	1,2x20	67 - 71	75	5,067	1017792
Pipe Clamps (Without Rubber)	2 1/2"	126	56	M6	M10	1,5x25	74 - 82	50	6,035	1017793
Pipe Clamps (Without Rubber)	82-89	134	60	M6	M10	1,5x25	82 - 89	50	6,4	1037081
Pipe Clamps (Without Rubber)	3"	142	64	M6	M10	1,5x25	91 - 98	50	6,768	1017794
Pipe Clamps (Without Rubber)	93-101	145	65,5	M6	M10	1,5x25	93 - 101	50	7,08	1017795
Pipe Clamps (Without Rubber)	102-109	153	69,5	M6	M10	1,5x25	102 - 109	50	7,45	1017796
Pipe Clamps (Without Rubber)	4"	161	73,5	M6	M10	1,5x25	109 - 117	50	7,636	1017797
Pipe Clamps (Without Rubber)	116-125	170	78	M6	M10	1,5x25	116 - 125	50	8,055	1017798
Pipe Clamps (Without Rubber)	129-141	184	84,5	M6	M10	2x25	129 - 141	50	10,913	1017799
Pipe Clamps (Without Rubber)	5"	190	87,5	M6	M10	2x25	136 - 146	40	9,082	1017800
Pipe Clamps (Without Rubber)	142-154	197	91	M6	M10	2x25	142 - 154	25	5,994	1017801
Pipe Clamps (Without Rubber)	6"	213	99	M6	M10	2x25	158 - 169	30	7,656	1017802
Pipe Clamps (Without Rubber)	166-177	222	103,5	M6	M10	2x25	166 - 177	20	5,445	1037082
Pipe Clamps (Without Rubber)	201-212	257	121	M6	M12	2x25	201 - 212	15	4,787	1017803
Pipe Clamps (Without Rubber)	8"	272	130	M6	M12	2x25	219 - 229	15	4,999	1017804

■ Please indicate the order code in your orders.

ELECTRO-MECHANICAL SUPPORT AND SUSPENSION SYSTEMS

PIPE CLAMPS & NUT (With Rubber)

Used for supporting pipe assemblies (both vertical and horizontal) on walls, ceilings and floors



Dimensions	Operating Load (KN)	Breaking Load (KN)
1/8" - 1"	1,3	3,9
1 1/4" - 2"	1,6	4,8
67.77 - 4"	2,3	6,9
122.135 - 8"	2,6	7,8

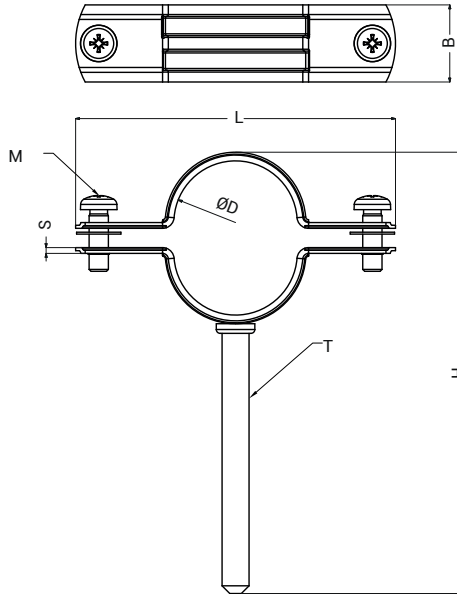
Product	ØD (Inch) (mm)	L (mm)	H (mm)	M	N	SxB (mm)	Clamping Interval (mm)	Pieces in Box	Box Weight (kg)	Standart
										Order Code
Pipe Clamps (With Rubber)	1/8"	52,1	22,5	M5	M8	1x20	9 - 12	300	10,99	1017833
Pipe Clamps (With Rubber)	1/4"	54,5	24	M5	M8	1x20	13 - 20	250	9,47	1017826
Pipe Clamps (With Rubber)	3/8"	58,5	26	M5	M8	1x20	17 - 23	250	10,35	1003620
Pipe Clamps (With Rubber)	1/2"	62,5	28	M5	M8	1x20	21 - 26	200	8,56	1003621
Pipe Clamps (With Rubber)	3/4"	68,5	31	M5	M8	1x20	26 - 30	150	7,2	1003622
Pipe Clamps (With Rubber)	1"	76	34,5	M5	M8	1x20	33 - 37	150	8,02	1003623
Pipe Clamps (With Rubber)	1 1/4"	91,5	39	M5	M8	1,2x20	40 - 46	100	6,68	1003624
Pipe Clamps (With Rubber)	1 1/2"	99	42,5	M5	M8	1,2x20	48 - 53	75	5,61	1003625
Pipe Clamps (With Rubber)	53-59	105	45,5	M5	M8	1,2x20	53 - 59	75	5,86	1017827
Pipe Clamps (With Rubber)	2"	112	49	M5	M8	1,2x20	60 - 66	50	4,29	1003626
Pipe Clamps (With Rubber)	67-77	126	56	M6	M10	1,5x25	67 - 77	40	5,68	1017828
Pipe Clamps (With Rubber)	2 1/2"	134	60	M6	M10	1,5x25	75 - 84	40	6,03	1003627
Pipe Clamps (With Rubber)	83-93	142	64	M6	M10	1,5x25	83 - 93	40	6,44	1017836
Pipe Clamps (With Rubber)	3"	145	65,5	M6	M10	1,5x25	87 - 96	40	6,61	1003628
Pipe Clamps (With Rubber)	94-104	153	69,5	M6	M10	1,5x25	94 - 104	30	5,3	1017829
Pipe Clamps (With Rubber)	102-111	161	73,5	M6	M10	1,5x25	102 - 111	40	7,5	1017830
Pipe Clamps (With Rubber)	4"	170	78	M6	M10	1,5x25	109 - 119	30	5,88	1003629
Pipe Clamps (With Rubber)	122-135	184	84,5	M6	M10	2x25	122 - 135	30	7,8	1017831
Pipe Clamps (With Rubber)	128-139	190	87,5	M6	M10	2x25	128 - 139	30	7,93	1017832
Pipe Clamps (With Rubber)	5"	197	91	M6	M10	2x25	135 - 148	25	6,98	1003630
Pipe Clamps (With Rubber)	151-164	213	99	M6	M10	2x25	151 - 164	25	7,55	1017834
Pipe Clamps (With Rubber)	6"	222	103,5	M6	M10	2x25	158 - 170	20	6,3	1003631
Pipe Clamps (With Rubber)	194-205	257	121	M6	M12	2x25	194 - 205	15	5,65	1017835
Pipe Clamps (With Rubber)	8"	272	130	M6	M12	2x25	214 - 224	15	6	1003632

■ Please indicate the order code in your orders.

ELECTRO-MECHANICAL SUPPORT AND SUSPENSION SYSTEMS

PIPE CLAMP WITH WELDED WOOD SCREW (Without Rubber)

Used for supporting pipe assemblies (both vertical and horizontal) on walls, ceilings and floors.



Dimensions	Operating Load (KN)	Breaking Load (KN)
3/8" - 1 1/4"	1,3	3,9
1 1/2" - 67.71	1,6	4,8
2 1/2" - 116.125	2,3	6,9
129.141	2,6	7,8

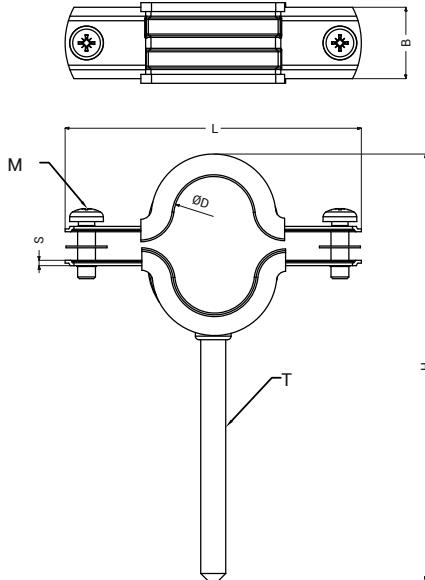
Product	ØD (Inch) (mm)	L (mm)	H (mm)	M	N	SxB (mm)	Clamping Interval (mm)	Pieces in Box	Box Weight (kg)	Standart
										Order Code
Clamp with welded wood screw (Short)	3/8"	52	82,5	M5	1x20	Ø7x70	15 - 20	200	6,754	1017956
Clamp with welded wood screw (Short)	1/2"	54,5	84	M5	1x20	Ø7x70	19 - 23	200	7,766	1003633
Clamp with welded wood screw (Short)	23-28	58,5	86	M5	1x20	Ø7x70	23 - 28	100	4,209	1017957
Clamp with welded wood screw (Short)	3/4"	62,5	88	M5	1x20	Ø7x70	26 - 30	150	6,42	1003634
Clamp with welded wood screw (Short)	1"	68,5	91	M5	1x20	Ø7x70	32 - 35	150	6,81	1003635
Clamp with welded wood screw (Short)	1 1/4"	76	94,5	M5	1x20	Ø7x70	39 - 43	150	7,343	1003636
Clamp with welded wood screw (Short)	1 1/2"	91,5	99	M5	1,2x20	Ø7x70	45 - 51	100	6,025	1003637
Clamp with welded wood screw (Short)	54-58	99	102,5	M5	1,2x20	Ø7x70	54 - 58	75	4,925	1017951
Clamp with welded wood screw (Short)	2"	105	105,5	M5	1,2x20	Ø7x70	60 - 65	75	5,18	1003638
Clamp with welded wood screw (Short)	67-71	112	109	M5	1,2x20	Ø7x70	67 - 71	50	3,732	1017952
Clamp with welded wood screw (Short)	2 1/2"	126	114	M6	1,5x25	Ø7x70	74 - 82	75	8,858	1003639
Clamp with welded wood screw (Short)	82-89	134	118	M6	1,5x25	Ø7x70	82 - 89	50	6,36	1017958
Clamp with welded wood screw (Short)	3"	142	122	M6	1,5x25	Ø7x70	91 - 98	50	6,728	1017953
Clamp with welded wood screw (Short)	93-101	145	123,5	M6	1,5x25	Ø7x70	92 - 98	40	5,542	1017959
Clamp with welded wood screw (Short)	102-109	153	127,5	M6	1,5x25	Ø7x70	93 - 98	15	2,358	1017960
Clamp with welded wood screw (Short)	4"	161	131,5	M6	1,5x25	Ø7x70	94 - 98	25	2,468	1017954
Clamp with welded wood screw (Short)	116-125	170	136	M6	1,5x25	Ø7x70	95 - 98	15	3,109	1017961
Clamp with welded wood screw (Short)	129-141	184	142,5	M6	2x25	Ø7x70	96 - 98	15	3,369	1017955

■ Please indicate the order code in your orders.

ELECTRO-MECHANICAL SUPPORT AND SUSPENSION SYSTEMS

PIPE CLAMP WITH WELDED WOOD SCREW (With Rubber)

Used for supporting pipe assemblies (both vertical and horizontal) on walls, ceilings and floors.



Dimensions	Operating Load (KN)	Breaking Load (KN)
1/8"	1,3	3,9
1"	1,6	4,8
67.77 - 4"	2,3	6,9
122.135	2,6	7,8

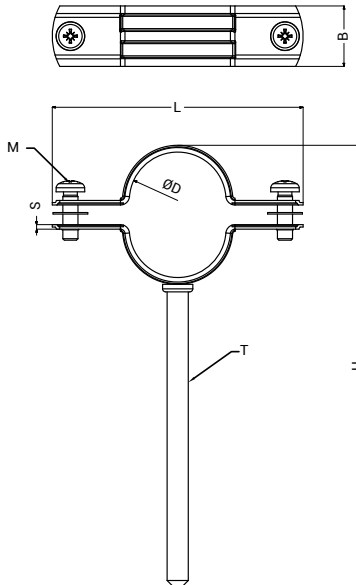
Product	øD (Inch) (mm)	L (mm)	H (mm)	M	N	SxB (mm)	Clamping Interval (mm)	Pieces in Box	Box Weight (kg)	Standart
										Order Code
Clamp with welded wood screw (Short)	1/8"	52,1	82	M5	1x20	Ø7x70	9 - 12	200	8,97	1017982
Clamp with welded wood screw (Short)	1/4"	54,5	84	M5	1x20	Ø7x70	13 - 20	200	9,45	1017968
Clamp with welded wood screw (Short)	3/8"	58,5	86	M5	1x20	Ø7x70	17 - 23	150	7,24	1017969
Clamp with welded wood screw (Short)	1/2"	62,5	88	M5	1x20	Ø7x70	21 - 26	150	7,71	1017970
Clamp with welded wood screw (Short)	3/4"	68,5	91	M5	1x20	Ø7x70	26 - 30	125	7	1017971
Clamp with welded wood screw (Short)	1"	76	94,5	M5	1x20	Ø7x70	33 - 37	100	6,2	1017972
Clamp with welded wood screw (Short)	1 1/4"	91,5	99	M5	1,2x20	Ø7x70	40 - 46	75	5,53	1017973
Clamp with welded wood screw (Short)	1 1/2"	99	102,5	M5	1,2x20	Ø7x70	48 - 53	50	4,2	1017974
Clamp with welded wood screw (Short)	53-59	105	105,5	M5	1,2x20	Ø7x70	53 - 59	50	4,46	1017975
Clamp with welded wood screw (Short)	2"	112	109	M5	1,2x20	Ø7x70	60 - 66	50	4,66	1017976
Clamp with welded wood screw (Short)	67-77	126	114	M6	1,5x25	Ø7x70	67 - 77	20	3,21	1017977
Clamp with welded wood screw (Short)	2 1/2"	134	118	M6	1,5x25	Ø7x70	75 - 84	25	3,87	1017978
Clamp with welded wood screw (Short)	83-93	142	122	M6	1,5x25	Ø7x70	83 - 93	20	3,631	1017983
Clamp with welded wood screw (Short)	3"	145	123,5	M6	1,5x25	Ø7x70	87 - 96	20	3,37	1017979
Clamp with welded wood screw (Short)	94-104	153	127,5	M6	1,5x25	Ø7x70	94 - 104	20	3,927	1017984
Clamp with welded wood screw (Short)	102-111	161	131,5	M6	1,5x25	Ø7x70	102 - 111	15	2,94	1017985
Clamp with welded wood screw (Short)	4"	170	136	M6	1,5x25	Ø7x70	109 - 119	15	3,05	1017980
Clamp with welded wood screw (Short)	122-135	184	142,5	M6	2x25	Ø7x70	122 - 135	15	3,94	1017981

■ Please indicate the order code in your orders.

ELECTRO-MECHANICAL SUPPORT AND SUSPENSION SYSTEMS

PIPE CLAMPS WITH WELDED LONG WOOD SCREW (Without Rubber)

Used for supporting pipe assemblies (both vertical and horizontal) on walls, ceilings and floors.



Dimensions	Operating Load (KN)	Breaking Load (KN)
3/8" - 1 1/4"	1,3	3,9
1 1/2" - 67.71	1,6	4,8
2 1/2" - 116.125	2,3	6,9
129.141	2,6	7,8

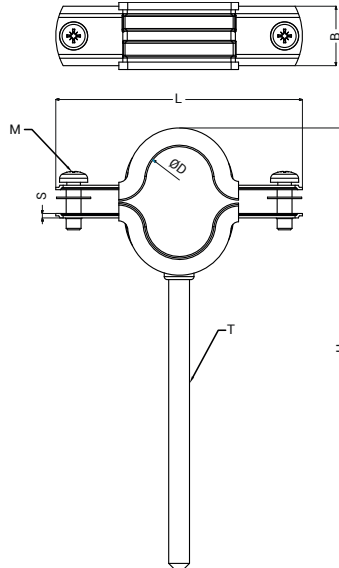
Product	ØD (Inch) (mm)	L (mm)	H (mm)	M	N	SxB (mm)	Clamping Interval (mm)	Pieces in Box	Box Weight (kg)	Standart
										Order Code
Clamp with welded wood screw (Long)	3/8"	52	112,5	M5	1x20	Ø7x100	15 - 20	200	9,74	1018008
Clamp with welded wood screw (Long)	1/2"	54,5	114	M5	1x20	Ø7x100	19 - 23	200	9,106	1017996
Clamp with welded wood screw (Long)	23-28	58,5	116	M5	1x20	Ø7x100	23 - 28	100	4,879	1018009
Clamp with welded wood screw (Long)	3/4"	62,5	118	M5	1x20	Ø7x100	26 - 30	150	7,425	1017997
Clamp with welded wood screw (Long)	1"	68,5	121	M5	1x20	Ø7x100	32 - 35	150	7,815	1017998
Clamp with welded wood screw (Long)	1 1/4"	76	124,5	M5	1x20	Ø7x100	39 - 43	100	5,655	1017999
Clamp with welded wood screw (Long)	1 1/2"	91,5	129	M5	1,2x20	Ø7x100	45 - 51	75	5,089	1018000
Clamp with welded wood screw (Long)	54-58	99	132,5	M5	1,2x20	Ø7x100	54 - 58	75	5,428	1018001
Clamp with welded wood screw (Long)	2"	105	135,5	M5	1,2x20	Ø7x100	60 - 65	75	5,682	1018002
Clamp with welded wood screw (Long)	67-71	112	139	M5	1,2x20	Ø7x100	67 - 71	50	4,067	1018003
Clamp with welded wood screw (Long)	2 1/2"	126	144	M6	1,5x25	Ø7x100	74 - 82	30	3,906	1018004
Clamp with welded wood screw (Long)	82-89	134	148	M6	1,5x25	Ø7x100	82 - 89	30	4,125	1018010
Clamp with welded wood screw (Long)	3"	142	152	M6	1,5x25	Ø7x100	91 - 98	30	4,346	1018005
Clamp with welded wood screw (Long)	93-101	145	153,5	M6	1,5x25	Ø7x100	93 - 101	20	3,04	1018011
Clamp with welded wood screw (Long)	102-109	153	157,5	M6	1,5x25	Ø7x100	102 - 109	15	2,458	1018012
Clamp with welded wood screw (Long)	4"	161	161,5	M6	1,5x25	Ø7x100	109 - 117	15	2,568	1018006
Clamp with welded wood screw (Long)	116-125	170	166	M6	1,5x25	Ø7x100	116 - 125	15	3,116	1018013
Clamp with welded wood screw (Long)	129-141	184	172,5	M6	2x25	Ø7x100	129 - 141	15	3,519	1019637

■ Please indicate the order code in your orders.

ELECTRO-MECHANICAL SUPPORT AND SUSPENSION SYSTEMS

LONG CLAMPS WITH WELDED WOOD SCREW (With Rubber)

Used for supporting pipe assemblies (both vertical and horizontal) on walls, ceilings and floors.



Dimensions	Operating Load (KN)	Breaking Load (KN)
1/8" 1"	1,3	3,9
1 1/4"-2"	1,6	4,8
67.77 - 4"	2,3	6,9
122.135	2,6	7,8

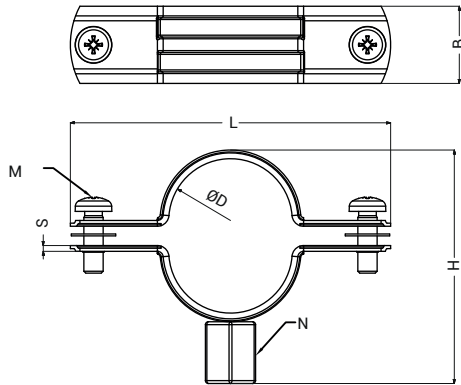
Product	øD (Inch) (mm)	L (mm)	H (mm)	M	N	SxB (mm)	Clamping Interval (mm)	Pieces in Box	Box Weight (kg)	Standart
										Order Code
Clamp with welded wood screw (Long)	1/8"	52,1	114	M5	1x20	Ø7x100	9 - 12	150	7,8	1018032
Clamp with welded wood screw (Long)	1/4"	54,5	114	M5	1x20	Ø7x100	13 - 20	150	7,707	1018018
Clamp with welded wood screw (Long)	3/8"	58,5	116	M5	1x20	Ø7x100	17 - 23	150	8,169	1018019
Clamp with welded wood screw (Long)	1/2"	62,5	118	M5	1x20	Ø7x100	21 - 26	150	8,65	1018020
Clamp with welded wood screw (Long)	3/4"	68,5	121	M5	1x20	Ø7x100	26 - 30	100	6,4	1018021
Clamp with welded wood screw (Long)	1"	76	124,5	M5	1x20	Ø7x100	33 - 37	75	5,21	1018022
Clamp with welded wood screw (Long)	1 1/4"	91,5	129	M5	1,2x20	Ø7x100	40 - 46	50	4,15	1018023
Clamp with welded wood screw (Long)	1 1/2"	99	132,5	M5	1,2x20	Ø7x100	48 - 53	50	4,58	1018024
Clamp with welded wood screw (Long)	53-59	105	135,5	M5	1,2x20	Ø7x100	53 - 59	50	4,96	1018025
Clamp with welded wood screw (Long)	2"	112	139	M5	1,2x20	Ø7x100	60 - 66	40	4,1	1018026
Clamp with welded wood screw (Long)	67-77	126	144	M6	1,5x25	Ø7x100	67 - 77	25	4,102	1018027
Clamp with welded wood screw (Long)	2 1/2"	134	148	M6	1,5x25	Ø7x100	75 - 84	20	3,28	1018028
Clamp with welded wood screw (Long)	83-93	142	152	M6	1,5x25	Ø7x100	83 - 93	20	3,765	1018033
Clamp with welded wood screw (Long)	3"	145	153,5	M6	1,5x25	Ø7x100	87 - 96	20	3,6	1018029
Clamp with welded wood screw (Long)	94-104	153	157,5	M6	1,5x25	Ø7x100	94 - 104	20	4,061	1018034
Clamp with welded wood screw (Long)	102-111	161	161,5	M6	1,5x25	Ø7x100	102 - 111	15	3,275	1018035
Clamp with welded wood screw (Long)	4"	170	166	M6	1,5x25	Ø7x100	109 - 119	15	3,15	1018030
Clamp with welded wood screw (Long)	122-135	184	172,5	M6	2x25	Ø7x100	122 - 135	15	4,09	1018031

■ Please indicate the order code in your orders.

ELECTRO-MECHANICAL SUPPORT AND SUSPENSION SYSTEMS

PIPE CLAMPS & COMBI NUT (Without Rubber)

Used for supporting pipe assemblies (both vertical and horizontal) on walls, ceilings and floors.



Dimensions	Operating Load (KN)	Breaking Load (KN)
3/8" - 1 1/4"	1,3	3,9
1 1/2" - 67.71	1,6	4,8
2 1/2" - 116.125	2,3	6,9
129.141 - 8"	2,6	7,8

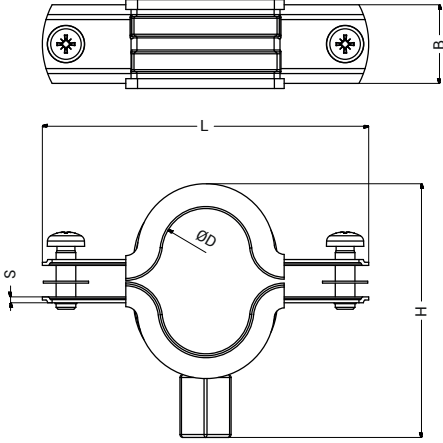
Product	øD (Inch) (mm)	L (mm)	H (mm)	M	N	SxB (mm)	Clamping Interval (mm)	Pieces in Box	Box Weight (kg)	Standart
										Order Code
Pipe Clamps & Combi Nut	3/8"	52	30,5	M5	1x20	M8 / M10	15 - 20	300	11,16	1018046
Pipe Clamps & Combi Nut	1/2"	54,5	32	M5	1x20	M8 / M10	19 - 23	250	8,943	1018047
Pipe Clamps & Combi Nut	23-28	58,5	34	M5	1x20	M8 / M10	23 - 28	150	5,76	1018067
Pipe Clamps & Combi Nut	3/4"	62,5	36	M5	1x20	M8 / M10	26 - 30	200	7,912	1018048
Pipe Clamps & Combi Nut	1"	68,5	39	M5	1x20	M8 / M10	32 - 35	200	8,432	1018049
Pipe Clamps & Combi Nut	1 1/4"	76	42,5	M5	1x20	M8 / M10	39 - 43	150	6,924	1018050
Pipe Clamps & Combi Nut	1 1/2"	91,5	47	M5	1,2x20	M8 / M10	45 - 51	100	5,746	1018051
Pipe Clamps & Combi Nut	54-58	99	50,5	M5	1,2x20	M8 / M10	54 - 58	100	6,198	1018052
Pipe Clamps & Combi Nut	2"	105	53,5	M5	1,2x20	M8 / M10	60 - 65	100	6,537	1018053
Pipe Clamps & Combi Nut	67-71	112	57	M5	1,2x20	M8 / M10	67 - 71	50	3,592	1018054
Pipe Clamps & Combi Nut	2 1/2"	126	62	M6	1,5x25	M8 / M10	74 - 82	50	5,856	1018055
Pipe Clamps & Combi Nut	82-89	134	66	M6	1,5x25	M8 / M10	82 - 89	50	6,221	1018068
Pipe Clamps & Combi Nut	3"	142	70	M6	1,5x25	M8 / M10	91 - 98	50	6,589	1018056
Pipe Clamps & Combi Nut	93-101	145	71,5	M6	1,5x25	M8 / M10	93 - 101	30	4,141	1018057
Pipe Clamps & Combi Nut	102-109	153	75,5	M6	1,5x25	M8 / M10	102 - 109	30	4,361	1018058
Pipe Clamps & Combi Nut	4"	161	79,5	M6	1,5x25	M8 / M10	109 - 117	50	7,457	1018059
Pipe Clamps & Combi Nut	116-125	170	84	M6	1,5x25	M8 / M10	116 - 125	50	7,88	1018060
Pipe Clamps & Combi Nut	129-141	184	90,5	M6	2x25	M8 / M10	129 - 141	50	10,734	1018061
Pipe Clamps & Combi Nut	5"	190	93,5	M6	2x25	M8 / M10	136 - 146	40	8,939	1018062
Pipe Clamps & Combi Nut	142-154	197	97	M6	2x25	M8 / M10	142 - 154	25	5,904	1018063
Pipe Clamps & Combi Nut	6"	213	105	M6	2x25	M8 / M10	158 - 169	30	7,549	1018064
Pipe Clamps & Combi Nut	166-177	222	109,5	M6	2x25	M8 / M10	166 - 177	20	5,374	1018069
Pipe Clamps & Combi Nut	201-212	257	127	M6	2x25	M8 / M10	201 - 212	15	4,734	1018065
Pipe Clamps & Combi Nut	8"	272	136	M6	2x25	M8 / M10	219 - 229	15	4,946	1018066

■ Please indicate the order code in your orders.

ELECTRO-MECHANICAL SUPPORT AND SUSPENSION SYSTEMS

PIPE CLAMPS & COMBI NUT (With Rubber)

Used for supporting pipe assemblies (both vertical and horizontal) on walls, ceilings and floors.



Dimensions	Operating Load (KN)	Breaking Load (KN)
1/8" - 1"	1,3	3,9
1 1/4" - 2"	1,6	4,8
67.77 - 4"	2,3	6,9
122.135 - 8"	2,6	7,8

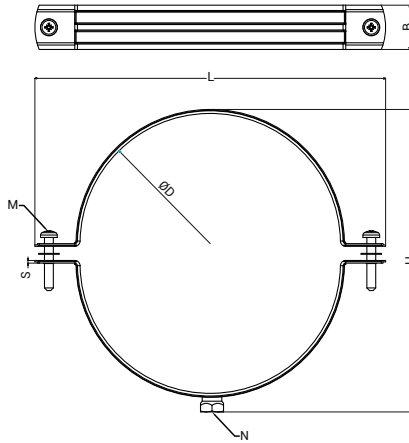
Product	øD (Inch) (mm)	L (mm)	H (mm)	M	N	SxB (mm)	Clamping Interval (mm)	Pieces in Box	Box Weight (kg)	Standart
										Order Code
Kombi Somunlu Kelepçe	1/8"	52,1	32	M5	1x20	M8 / M10	9 - 12	250	10,27	1018111
Kombi Somunlu Kelepçe	1/4"	54,5	32	M5	1x20	M8 / M10	13 - 20	250	10,58	1018088
Kombi Somunlu Kelepçe	3/8"	58,5	34	M5	1x20	M8 / M10	17 - 23	250	11,22	1018089
Kombi Somunlu Kelepçe	1/2"	62,5	36	M5	1x20	M8 / M10	21 - 26	200	9,5	1018090
Kombi Somunlu Kelepçe	3/4"	68,5	39	M5	1x20	M8 / M10	26 - 30	150	7,87	1018091
Kombi Somunlu Kelepçe	1"	76	42,5	M5	1x20	M8 / M10	33 - 37	150	8,65	1018092
Kombi Somunlu Kelepçe	1 1/4"	91,5	47	M5	1,2x20	M8 / M10	40 - 46	100	7,03	1018093
Kombi Somunlu Kelepçe	1 1/2"	99	50,5	M5	1,2x20	M8 / M10	48 - 53	75	5,82	1018094
Kombi Somunlu Kelepçe	53-59	105	53,5	M5	1,2x20	M8 / M10	53 - 59	75	6,34	1018095
Kombi Somunlu Kelepçe	2"	112	57	M5	1,2x20	M8 / M10	60 - 66	50	4,46	1018096
Kombi Somunlu Kelepçe	67-77	126	62	M6	1,5x25	M8 / M10	67-77	40	5,71	1018097
Kombi Somunlu Kelepçe	2 1/2"	134	66	M6	1,5x25	M8 / M10	75 - 84	40	5,85	1018098
Kombi Somunlu Kelepçe	83-93	142	70	M6	1,5x25	M8 / M10	83 - 93	40	6,43	1018112
Kombi Somunlu Kelepçe	3"	145	71,5	M6	1,5x25	M8 / M10	87 - 96	40	6,6	1018099
Kombi Somunlu Kelepçe	94-104	153	75,5	M6	1,5x25	M8 / M10	94-104	30	5,3	1018100
Kombi Somunlu Kelepçe	102-111	161	79,5	M6	1,5x25	M8 / M10	102-111	40	7,82	1018101
Kombi Somunlu Kelepçe	4"	170	84	M6	1,5x25	M8 / M10	109 - 119	30	5,78	1018102
Kombi Somunlu Kelepçe	122-135	184	90,5	M6	2x25	M8 / M10	122-135	30	8,3	1018103
Kombi Somunlu Kelepçe	128-139	190	93,5	M6	2x25	M8 / M10	128-139	30	8,523	1018104
Kombi Somunlu Kelepçe	5"	197	97	M6	2x25	M8 / M10	135 - 148	25	6,88	1018105
Kombi Somunlu Kelepçe	151-164	213	105	M6	2x25	M8 / M10	151-164	25	8,042	1018107
Kombi Somunlu Kelepçe	6"	222	109,5	M6	2x25	M8 / M10	158 - 170	20	6,18	1018108
Kombi Somunlu Kelepçe	194-205	257	127	M6	2x25	M8 / M10	194 - 205	15	5,5	1018109
Kombi Somunlu Kelepçe	8"	272	136	M6	2x25	M8 / M10	214 - 224	15	5,94	1018110

■ Please indicate the order code in your orders.

ELECTRO-MECHANICAL SUPPORT AND SUSPENSION SYSTEMS

STAINLESS PIPE CLAMPS & NUT (Without Rubber)

Used for supporting pipe assemblies (both vertical and horizontal) on walls, ceilings and floors.



Dimensions	Operating Load (KN)	Breaking Load (KN)
1/2" - 1 1/4"	2,2	6,6
1 1/2" - 62.68	2,7	7,6
2 1/2" - 4"	3,9	11,7
120.129 - 8"	4,4	13,2

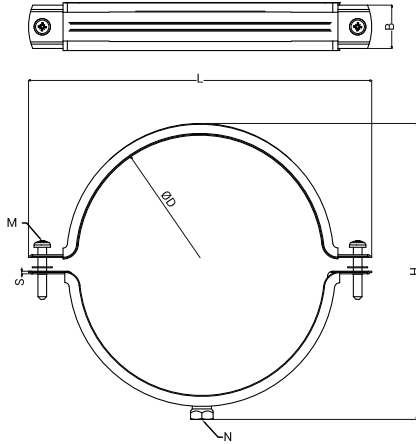
Product	ØD (Inch) (mm)	L (mm)	H (mm)	M	N	SxB (mm)	Clamping Interval (mm)	Pieces in Box	Box Weight (kg)	Standart
										Order Code
Stainless Pipe Clamps	1/2"	54,5	24	M5	1,5x20	M8	20 - 24	150	6,47	1018134
Stainless Pipe Clamps	3/4"	62,5	28	M5	1,5x20	M8	25 - 30	150	6,89	1018135
Stainless Pipe Clamps	1"	68,5	31	M5	1,5x20	M8	32 - 37	100	5,09	1018136
Stainless Pipe Clamps	1 1/4"	76	34,5	M5	1,5x20	M8	39 - 43	100	5,52	1018137
Stainless Pipe Clamps	1 1/2"	91,5	39	M6	1,5x20	M8	48 - 53	75	4,99	1018138
Stainless Pipe Clamps	2"	105	45,5	M6	1,5x20	M8	59 - 66	50	3,7	1018140
Stainless Pipe Clamps	62-68	112	49	M6	1,5x20	M8	62 - 68	50	3,78	1018141
Stainless Pipe Clamps	2 1/2"	125	53,5	M6	2x25	M10	74 - 80	30	4,2	1018142
Stainless Pipe Clamps	80-87	134	58	M6	2x25	M10	80 - 87	30	5	1018106
Stainless Pipe Clamps	3"	141	61	M6	2x25	M10	87 - 94	30	5,2	1018143
Stainless Pipe Clamps	93-100	146,5	63,5	M6	2x25	M10	93 - 100	30	5,4	1018144
Stainless Pipe Clamps	99-108	151	65,5	M6	2x25	M10	99 - 108	30	5,6	1018145
Stainless Pipe Clamps	4"	159,5	69	M6	2x25	M10	108 - 116	30	5,9	1018146
Stainless Pipe Clamps	120-129	173	72	M6	2,5x25	M10	120 - 129	30	7,4	1018147
Stainless Pipe Clamps	129-135	184	77,5	M6	2,5x25	M10	129 - 135	30	8	1018148
Stainless Pipe Clamps	5"	192	82	M6	2,5x25	M10	135 - 143	25	6,8	1018149
Stainless Pipe Clamps	149-161	199,5	90	M6	2,5x25	M10	149 - 161	25	7,4	1018150
Stainless Pipe Clamps	6"	215	96,5	M6	2,5x25	M10	162 - 170	20	6,2	1018151
Stainless Pipe Clamps	172-180	227	102,5	M6	2,5x25	M10	172 - 180	20	6,8	1018139
Stainless Pipe Clamps	208-212	260	115,5	M6	2,5x25	M10	208 - 212	15	5,8	1018152
Stainless Pipe Clamps	8"	277	130	M6	2,5x25	M10	225-232	15	6.100	1018153

■ Please indicate the order code in your orders.

ELECTRO-MECHANICAL SUPPORT AND SUSPENSION SYSTEMS

STAINLESS PIPE CLAMPS & NUT (With Rubber)

Used for supporting pipe assemblies (both vertical and horizontal) on walls, ceilings and floors.



Dimensions	Operating Load (KN)	Breaking Load (KN)
1/4" - 1"	2,2	6,6
1 1/4" - 2"	2,7	7,6
67.73 - 99.108	3,9	11,7
4" - 8"	4,4	13,2

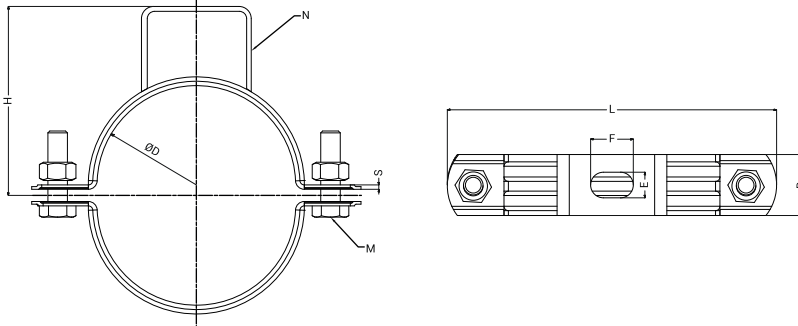
Product	ØD (Inch) (mm)	L (mm)	H (mm)	M	N	SxB (mm)	Clamping Interval (mm)	Pieces in Box	Box Weight (kg)	Standart
										Order Code
Stainless Pipe Clamps	1/4"	54,5	24	M5	1,5x20	M8	11 - 15	200	9,1	1018154
Stainless Pipe Clamps	3/8"	58,5	26	M5	1,5x20	M8	16 - 20	200	9,9	1018155
Stainless Pipe Clamps	1/2"	62,5	28	M5	1,5x20	M8	20 - 24	150	8	1018156
Stainless Pipe Clamps	3/4"	68,5	31	M5	1,5x20	M8	25 - 30	100	6,01	1018157
Stainless Pipe Clamps	1"	76	34,5	M5	1,5x20	M8	32 - 37	100	6,68	1018158
Stainless Pipe Clamps	1 1/4"	91,5	39	M6	1,5x20	M8	39 - 46	100	8,1	1018159
Stainless Pipe Clamps	1 1/2"	99	42,5	M6	1,5x20	M8	48 - 53	75	6,74	1018160
Stainless Pipe Clamps	54-58	105	45,5	M6	1,5x20	M8	54 - 58	75	7	1018161
Stainless Pipe Clamps	2"	112	49	M6	1,5x20	M8	59 - 66	50	5,27	1018162
Stainless Pipe Clamps	67-73	125	53,5	M6	2x25	M10	67 - 73	30	5,4	1018163
Stainless Pipe Clamps	2 1/2"	134	58	M6	2x25	M10	74 - 80	30	5,98	1018164
Stainless Pipe Clamps	80-87	141	61	M6	2x25	M10	80 - 87	30	6,32	1018165
Stainless Pipe Clamps	3"	146,5	63,5	M6	2x25	M10	87 - 94	30	6,54	1018166
Stainless Pipe Clamps	93-100	151	65,5	M6	2x25	M10	93 - 100	30	6,9	1018167
Stainless Pipe Clamps	99-108	159,5	69	M6	2x25	M10	99 - 108	30	7,2	1018168
Stainless Pipe Clamps	4"	173	72	M6	2,5x25	M10	108 - 116	30	8,85	1018169
Stainless Pipe Clamps	120-129	184	77,5	M6	2,5x25	M10	120 - 129	30	9,38	1018170
Stainless Pipe Clamps	129-135	192	82	M6	2,5x25	M10	129 - 135	30	9,8	1018171
Stainless Pipe Clamps	5"	199,5	90	M6	2,5x25	M10	135 - 143	25	8,88	1018172
Stainless Pipe Clamps	149-161	215	96,5	M6	2,5x25	M10	149 - 161	25	9,32	1018173
Stainless Pipe Clamps	6"	227	102	M6	2,5x25	M10	162 - 170	20	8	1018174
Stainless Pipe Clamps	198-207	260	115,5	M6	2,5x25	M10	198 - 207	15	7,07	1018175
Stainless Pipe Clamps	8"	277	130	M6	2,5x25	M10	216 - 224	15	7,4	1018176

■ Please indicate the order code in your orders.

ELECTRO-MECHANICAL SUPPORT AND SUSPENSION SYSTEMS

HEAVY-DUTY PIPE CLAMPS & BRACKET TYPE (Without Rubber)

Heavy-duty clamps are used for the assembly of pipes bearing heavy loads.



Dimensions	Operating Load (KN)	Breaking Load (KN)
1/2" - 101.105	2,2	6,6
4" - 116.126	2,7	7,6
130.141 - 10"	3,9	11,7
12" - 20"	4,4	13,2

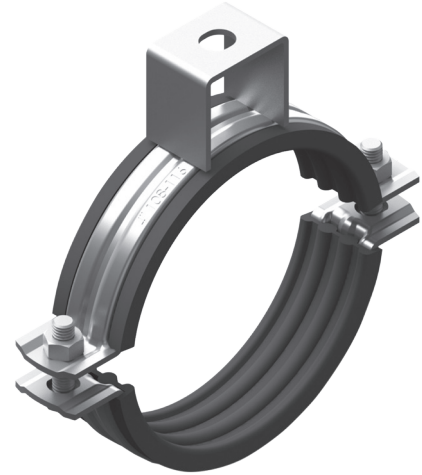
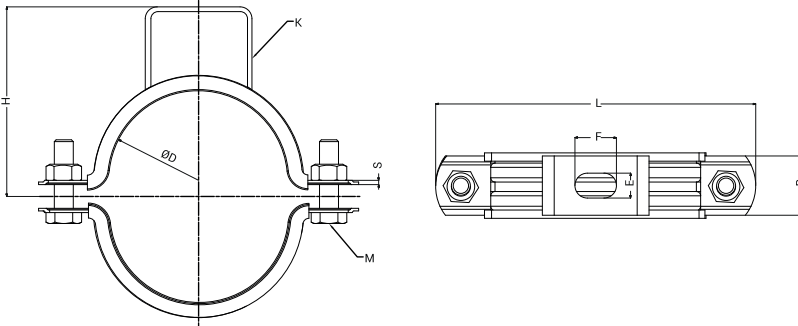
Product	ØD (Inch) (mm)	L (mm)	H (mm)	M	N	ExF (mm)	SxB (mm)	Clamping Interval (mm)	Pieces in Box	Box Weight (kg)	Standart
											Order Code
Heavy Duty Pipe Clamps	1/2"	75	40	M8(6.8)	2x25	10,5x14	2x25x40	18 - 23	50	6,927	1018178
Heavy Duty Pipe Clamps	3/4"	81	41	M8(6.8)	2x25	10,5x14	2x25x40	26 - 31	50	7,284	1018179
Heavy Duty Pipe Clamps	1"	87	42,5	M8(6.8)	2x25	10,5x14	2x25x40	31 - 37	50	7,61	1018180
Heavy Duty Pipe Clamps	1 1/4"	94	49,5	M8(6.8)	2x25	10,5x14	2x25x40	38 - 44	50	8,022	1018181
Heavy Duty Pipe Clamps	1 1/2"	103	55	M8(6.8)	2x25	10,5x14	2x25x40	46 - 53	50	8,505	1018182
Heavy Duty Pipe Clamps	54-60	111	59	M8(6.8)	2x25	10,5x14	2x25x40	54 - 60	40	7,247	1018183
Heavy Duty Pipe Clamps	2"	120	63	M8(6.8)	2x25	10,5x14	2x25x40	60 - 68	40	7,624	1018184
Heavy Duty Pipe Clamps	66-73	125	66	M8(6.8)	2x25	10,5x14	2x25x40	66 - 73	40	7,875	1018185
Heavy Duty Pipe Clamps	2 1/2"	134	70	M8(6.8)	2x25	10,5x14	2x25x40	74 - 81	30	6,292	1018186
Heavy Duty Pipe Clamps	82-88	141	74	M8(6.8)	2x25	10,5x14	2x25x40	82 - 88	30	6,558	1018205
Heavy Duty Pipe Clamps	3"	149	78	M8(6.8)	2x25	10,5x14	2x25x40	88 - 97	30	6,85	1018187
Heavy Duty Pipe Clamps	93-100	154	80	M8(6.8)	2x25	10,5x14	2x25x40	93 - 100	30	7,01	1018188
Heavy Duty Pipe Clamps	101-109	161	84,5	M8(6.8)	2x25	10,5x14	2x25x40	101 - 109	30	7,276	1018189
Heavy Duty Pipe Clamps	4"	169	88,5	M8(6.8)	2,5x30	12x14	2,5x30x40	110 - 118	30	10,67	1018190
Heavy Duty Pipe Clamps	116-126	178	93	M8(6.8)	2,5x30	12x14	2,5x30x40	116 - 126	30	11,077	1018191
Heavy Duty Pipe Clamps	130-141	192	101	M10(8.8)	3x30	12x14	3x30x40	130 - 141	10	5,305	1018192
Heavy Duty Pipe Clamps	5"	197	103,5	M10(8.8)	3x30	12x14	3x30x40	136 - 145	10	5,422	1018193
Heavy Duty Pipe Clamps	144-154	204	107	M10(8.8)	3x30	12x14	3x30x40	144 - 154	10	5,576	1018194
Heavy Duty Pipe Clamps	6"	220	115	M10(8.8)	3x30	12x14	3x30x40	160 - 169	10	5,927	1018195
Heavy Duty Pipe Clamps	170-180	229	120	M10(8.8)	3x30	12x14	3x30x40	170 - 180	20	11,756	1018206
Heavy Duty Pipe Clamps	202-214	264	137	M10(8.8)	3x30	12x14	3x30x40	202 - 214	20	13,298	1018196
Heavy Duty Pipe Clamps	8"	279	145	M10(8.8)	3x30	12x14	3x30x40	219 - 230	15	10,456	1018197
Heavy Duty Pipe Clamps	10"	335	173	M10(8.8)	3x30	12x14	3x30x40	273 - 283	15	12,771	1018198
Heavy Duty Pipe Clamps	12"	400	184	M12(8.8)	4x40	12,5x23	4x40x40	317 - 333	10	16,504	1018199
Heavy Duty Pipe Clamps	14"	432	221	M12(8.8)	4x40	12,5x23	4x40x40	349 - 365	8	14,298	1018200
Heavy Duty Pipe Clamps	16"	485	254	M12(8.8)	4x40	12,5x23	4x40x40	395 - 411	8	16,097	1018201
Heavy Duty Pipe Clamps	18"	572	290	M16(6.8)	4x40	12,5x23	4x40x40	447 - 463	5	18,06	1018202
Heavy Duty Pipe Clamps	20"	624	316	M16(6.8)	4x40	12,5x23	4x40x40	499 - 515	5	19,65	1018203

■ Please indicate the order code in your orders.

ELECTRO-MECHANICAL SUPPORT AND SUSPENSION SYSTEMS

HEAVY-DUTY PIPE CLAMPS & BRACKET TYPE (With Rubber)

Heavy-duty clamps are used for the assembly of pipes bearing heavy loads.



Dimensions	Operating Load (KN)	Breaking Load (KN)
1/2" - 95.104	2,75	10
4" - 102.112	3,75	14
10" 122.138	6	20
12" - 20"	11,7	35

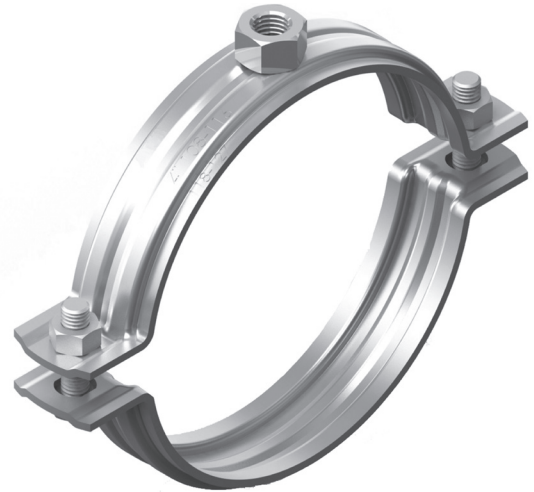
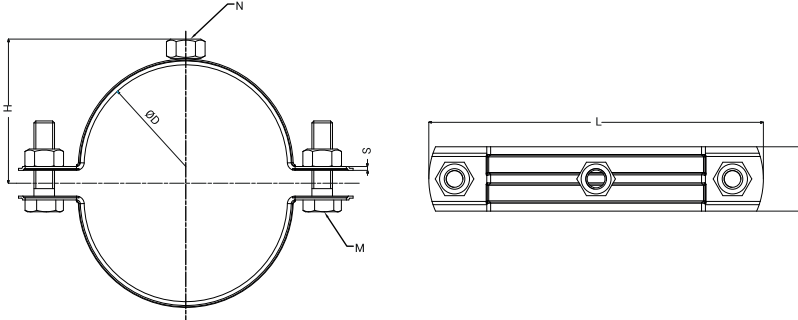
Product	øD (Inch) (mm)	L (mm)	H (mm)	M	N	ExF (mm)	SxB (mm)	Clamping Interval (mm)	Pieces in Box	Box Weight (kg)	Standart
											Order Code
Heavy Duty Pipe Clamps	1/4"	75	40	M8(6.8)	2x25	10,5x14	2x25x40	12 - 17	50	7,338	1018231
Heavy Duty Pipe Clamps	1/2"	81	41	M8(6.8)	2x25	10,5x14	2x25x40	21 - 28	50	7,77	1018233
Heavy Duty Pipe Clamps	3/4"	87	42,5	M8(6.8)	2x25	10,5x14	2x25x40	25 - 32	50	8,2	1018234
Heavy Duty Pipe Clamps	1"	94	49,5	M8(6.8)	2x25	10,5x14	2x25x40	33 - 40	50	8,65	1018235
Heavy Duty Pipe Clamps	1 1/4"	103	55	M8(6.8)	2x25	10,5x14	2x25x40	41 - 48	40	7,25	1018236
Heavy Duty Pipe Clamps	1 1/2"	111	59	M8(6.8)	2x25	10,5x14	2x25x40	48 - 56	40	7,69	1018237
Heavy Duty Pipe Clamps	53-59	120	63	M8(6.8)	2x25	10,5x14	2x25x40	53 - 59	30	6,562	1018238
Heavy Duty Pipe Clamps	2"	125	66	M8(6.8)	2x25	10,5x14	2x25x40	60 - 69	30	6,33	1018239
Heavy Duty Pipe Clamps	67-75	134	70	M8(6.8)	2x25	10,5x14	2x25x40	67 - 75	25	7	1018240
Heavy Duty Pipe Clamps	2 1/2"	141	74	M8(6.8)	2x25	10,5x14	2x25x40	75 - 81	25	5,92	1018241
Heavy Duty Pipe Clamps	83-91	149	78	M8(6.8)	2x25	10,5x14	2x25x40	83 - 91	30	7,62	1018259
Heavy Duty Pipe Clamps	3"	154	80	M8(6.8)	2x25	10,5x14	2x25x40	87 - 95	30	7,56	1018242
Heavy Duty Pipe Clamps	95-104	161	84,5	M8(6.8)	2x25	10,5x14	2x25x40	95 - 104	25	7,201	1018243
Heavy Duty Pipe Clamps	102-112	169	88,5	M8(6.8)	2,5x30	12x14	2,5x30x40	102 - 112	25	10,141	1018244
Heavy Duty Pipe Clamps	4"	178	93	M8(6.8)	2,5x30	12x14	2,5x30x40	109 - 119	25	10,72	1018245
Heavy Duty Pipe Clamps	122-138	192	101	M10(8.8)	3x30	12x14	3x30x40	122 - 138	20	5,7	1018246
Heavy Duty Pipe Clamps	128-141	197	103,5	M10(8.8)	3x30	12x14	3x30x40	128 - 141	10	5,99	1018247
Heavy Duty Pipe Clamps	5"	204	107	M10(8.8)	3x30	12x14	3x30x40	136 - 147	10	6,02	1018248
Heavy Duty Pipe Clamps	153-164	220	115	M10(8.8)	3x30	12x14	3x30x40	153 - 164	10	6,45	1018249
Heavy Duty Pipe Clamps	6"	229	120	M10(8.8)	3x30	12x14	3x30x40	164 - 174	10	6,79	1018250
Heavy Duty Pipe Clamps	196-209	264	137	M10(8.8)	3x30	12x14	3x30x40	196 - 209	20	15,2	1018251
Heavy Duty Pipe Clamps	8"	279	145	M10(8.8)	4x30	12x14	4x30x40	214 - 226	15	15,23	1018252
Heavy Duty Pipe Clamps	10"	335	173	M10(8.8)	4x30	12x14	4x30x40	266 - 274	15	18,455	1018253
Heavy Duty Pipe Clamps	12"	400	184	M12(8.8)	4x40	12,5x23	4x40x40	308 - 324	10	19,1	1018254
Heavy Duty Pipe Clamps	14"	432	221	M12(8.8)	4x40	12,5x23	4x40x40	340 - 356	8	16,78	1018255
Heavy Duty Pipe Clamps	16"	485	254	M12(8.8)	4x40	12,5x23	4x40x40	395 - 411	8	19	1018256
Heavy Duty Pipe Clamps	18"	572	290	M16(6.8)	4x40	12,5x23	4x40x40	447 - 463	5	13,2	1018257
Heavy Duty Pipe Clamps	20"	624	316	M16(6.8)	4x40	12,5x23	4x40x40	499 - 515	5	14,78	1018258

■ Please indicate the order code in your orders.

ELECTRO-MECHANICAL SUPPORT AND SUSPENSION SYSTEMS

HEAVY DUTY PIPE CLAMPS & NUT (Without Rubber)

Heavy-duty clamps are used for the assembly of pipes bearing heavy loads.



Dimensions	Operating Load (KN)	Breaking Load (KN)
1/2" - 101.109	2,75	10
4" - 116.126	3,75	14
10" - 130.141	6	20
12" - 20"	11,7	35

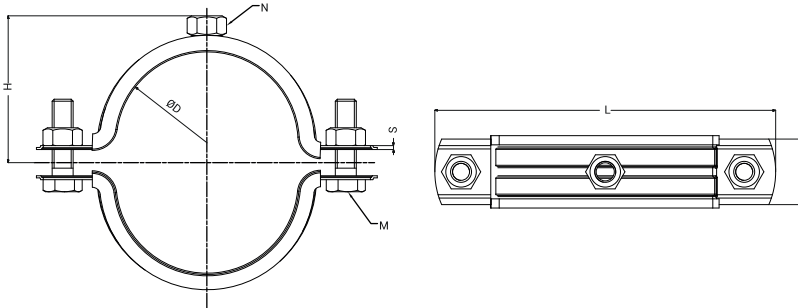
Product	øD (Inch) (mm)	L (mm)	H (mm)	M	N	SxB (mm)	Clamping Interval (mm)	Pieces in Box	Box Weight (kg)	Standart
										Order Code
Heavy Duty Pipe Clamps	1/2"	75	26	M8(6.8)	M12	2x25	18 - 23	50	5,77	1018288
Heavy Duty Pipe Clamps	3/4"	81	30	M8(6.8)	M12	2x25	26 - 31	50	5,93	1018289
Heavy Duty Pipe Clamps	1"	87	33	M8(6.8)	M12	2x25	31 - 37	50	6,42	1018290
Heavy Duty Pipe Clamps	1 1/4"	94	36,5	M8(6.8)	M12	2x25	38 - 44	50	6,95	1018291
Heavy Duty Pipe Clamps	1 1/2"	103	41	M8(6.8)	M12	2x25	46 - 53	50	7,27	1018292
Heavy Duty Pipe Clamps	54-60	111	44,5	M8(6.8)	M12	2x25	54 - 60	40	6,172	1018293
Heavy Duty Pipe Clamps	2"	120	48,5	M8(6.8)	M12	2x25	60 - 68	40	6,25	1018294
Heavy Duty Pipe Clamps	66-73	125	51	M8(6.8)	M12	2x25	66 - 73	40	6,8	1018295
Heavy Duty Pipe Clamps	2 1/2"	134	55	M8(6.8)	M12	2x25	74 - 81	30	5,5	1018296
Heavy Duty Pipe Clamps	82-88	141	59	M8(6.8)	M12	2x25	82 - 88	30	5,752	1018287
Heavy Duty Pipe Clamps	3"	149	63	M8(6.8)	M12	2x25	88 - 97	30	5,73	1018297
Heavy Duty Pipe Clamps	93-100	154	65	M8(6.8)	M12	2x25	93 - 100	30	6,204	1018298
Heavy Duty Pipe Clamps	101-109	161	69	M8(6.8)	M12	2x25	101 - 109	30	6,47	1018299
Heavy Duty Pipe Clamps	4"	169	73	M8(6.8)	M12	2,5x30	110 - 118	30	9,47	1018300
Heavy Duty Pipe Clamps	116-126	178	78,6	M8(6.8)	M12	2,5x30	116 - 126	30	9,658	1018301
Heavy Duty Pipe Clamps	130-141	192	90,1	M10(8.8)	M16	3x30	130- 141	10	4,854	1018302
Heavy Duty Pipe Clamps	5"	197	92,6	M10(8.8)	M16	3x30	136 - 145	10	4,68	1018303
Heavy Duty Pipe Clamps	144-154	204	96,1	M10(8.8)	M16	3x30	144 - 154	10	5,125	1018304
Heavy Duty Pipe Clamps	6"	220	104,1	M10(8.8)	M16	3x30	160 - 169	10	5,19	1018305
Heavy Duty Pipe Clamps	170-180	229	108,6	M10(8.8)	M16	3x30	170 - 180	20	11	1018315
Heavy Duty Pipe Clamps	202-214	264	126,1	M10(8.8)	M16	3x30	202 - 214	20	12,394	1018306
Heavy Duty Pipe Clamps	8"	279	133,6	M10(8.8)	M16	4x30	219 - 230	15	12,725	1018307
Heavy Duty Pipe Clamps	10"	335	161,6	M10(8.8)	M16	4x30	273 - 283	15	14,975	1018308
Heavy Duty Pipe Clamps	12"	400	184,8	M12(8.8)	M16	4x40	317 - 333	10	15,53	1018309
Heavy Duty Pipe Clamps	14"	432	200,8	M12(8.8)	M16	4x40	349 - 365	8	13,519	1018310
Heavy Duty Pipe Clamps	16"	485	228,8	M12(8.8)	M16	4x40	395 - 411	8	15,318	1018311
Heavy Duty Pipe Clamps	18"	572	259	M16(6.8)	M16	4x40	447 - 463	5	17,065	1018312
Heavy Duty Pipe Clamps	20"	624	285	M16(6.8)	M16	4x40	499 - 515	5	18,655	1018313

■ Please indicate the order code in your orders.

ELECTRO-MECHANICAL SUPPORT AND SUSPENSION SYSTEMS

HEAVY-DUTY PIPE CLAMPS & NUT (With Rubber)

Heavy-duty clamps are used for the assembly of pipes bearing heavy loads.



Dimensions	Operating Load (KN)	Breaking Load (KN)
1/2" - 95.104	2,75	10
4" - 102.112	3,75	14
10" 122.138	6	20
12" - 20"	11,7	35

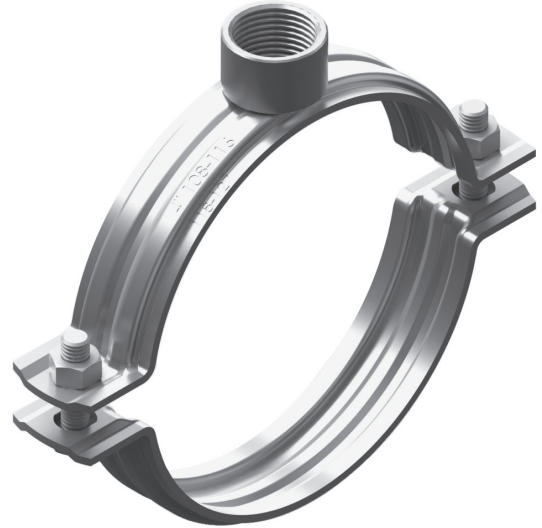
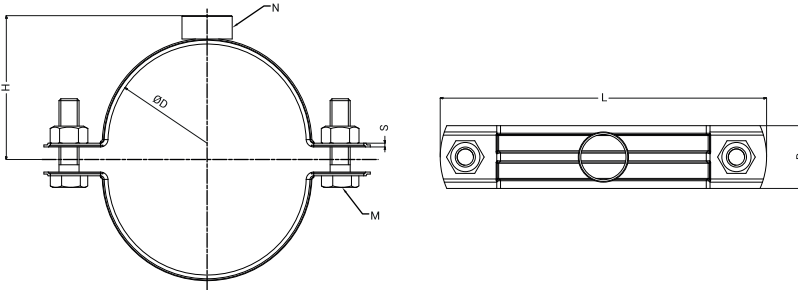
Product	øD (Inch) (mm)	L (mm)	H (mm)	M	N	SxB (mm)	Clamping Interval (mm)	Pieces in Box	Box Weight (kg)	Standart
										Order Code
Heavy Duty Pipe Clamps	1/4"	75	26	M8(6.8)	M12	2x25	12 - 17	50	5,994	1018341
Heavy Duty Pipe Clamps	1/2"	81	30	M8(6.8)	M12	2x25	21 - 28	50	6,6	1018343
Heavy Duty Pipe Clamps	3/4"	87	33	M8(6.8)	M12	2x25	25 - 32	50	7,01	1018344
Heavy Duty Pipe Clamps	1"	94	36,5	M8(6.8)	M12	2x25	33 - 40	50	7,3	1018345
Heavy Duty Pipe Clamps	1 1/4"	103	41	M8(6.8)	M12	2x25	41 - 48	50	9,03	1018346
Heavy Duty Pipe Clamps	1 1/2"	111	44,5	M8(6.8)	M12	2x25	48 - 56	50	8,65	1018347
Heavy Duty Pipe Clamps	53-59	120	48,5	M8(6.8)	M12	2x25	53 - 59	40	7,585	1018348
Heavy Duty Pipe Clamps	2"	125	51	M8(6.8)	M12	2x25	60 - 69	40	7,46	1018349
Heavy Duty Pipe Clamps	67-75	134	55	M8(6.8)	M12	2x25	67 - 75	40	8,57	1018350
Heavy Duty Pipe Clamps	2 1/2"	141	59	M8(6.8)	M12	2x25	75 - 81	30	6,41	1018351
Heavy Duty Pipe Clamps	83-91	149	63	M8(6.8)	M12	2x25	83 - 91	30	7,211	1018342
Heavy Duty Pipe Clamps	3"	154	65	M8(6.8)	M12	2x25	87 - 95	30	6,84	1018352
Heavy Duty Pipe Clamps	95-104	161	69	M8(6.8)	M12	2x25	95 - 104	30	7,781	1018353
Heavy Duty Pipe Clamps	102-112	169	73	M8(6.8)	M12	2,5x30	102 - 112	30	10,696	1018354
Heavy Duty Pipe Clamps	4"	178	78,6	M8(6.8)	M12	2,5x30	109 - 119	30	11,1	1018355
Heavy Duty Pipe Clamps	122-138	192	90,1	M10(8.8)	M16	3x30	122 - 138	20	10,18	1018356
Heavy Duty Pipe Clamps	128-141	197	92,6	M10(8.8)	M16	3x30	128 - 141	10	5,551	1018357
Heavy Duty Pipe Clamps	5"	204	96,1	M10(8.8)	M16	3x30	136 - 147	10	5,61	1018358
Heavy Duty Pipe Clamps	153-164	220	104,1	M10(8.8)	M16	3x30	153 - 164	10	6,15	1018359
Heavy Duty Pipe Clamps	6"	229	108,6	M10(8.8)	M16	3x30	164 - 174	10	6	1018360
Heavy Duty Pipe Clamps	196-209	264	126,1	M10(8.8)	M16	3x30	196 - 209	20	14,4	1018361
Heavy Duty Pipe Clamps	8"	279	133,6	M10(8.8)	M16	4x30	214 - 226	15	14,35	1018362
Heavy Duty Pipe Clamps	10"	335	161,6	M10(8.8)	M16	4x30	266 - 274	15	17,13	1018363
Heavy Duty Pipe Clamps	12"	400	184,8	M12(8.8)	M16	4x40	308 - 324	10	18,2	1018364
Heavy Duty Pipe Clamps	14"	432	200,8	M12(8.8)	M16	4x40	340 - 356	10	19,4	1018365
Heavy Duty Pipe Clamps	16"	485	228,8	M12(8.8)	M16	4x40	395 - 411	8	18,3	1018366
Heavy Duty Pipe Clamps	18"	572	259	M16(6.8)	M16	4x40	447 - 463	5	12,75	1018367
Heavy Duty Pipe Clamps	20"	624	285	M16(6.8)	M16	4x40	499 - 515	5	14,4	1018368

■ Please indicate the order code in your orders.

ELECTRO-MECHANICAL SUPPORT AND SUSPENSION SYSTEMS

HEAVY-DUTY PIPE CLAMPS & MUFF (Without Rubber)

Heavy-duty clamps are used for the assembly of pipes bearing heavy loads.



Dimensions	Operating Load (KN)	Breaking Load (KN)
1/2" - 101.109	2,75	10
4" - 116.126	3,75	14
10" - 130.141	6	20
12" - 20"	11,7	35

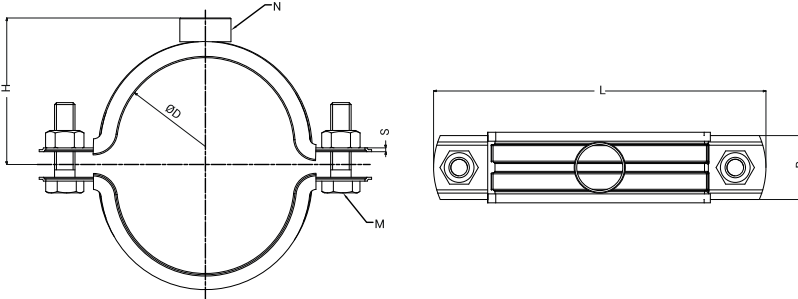
Product	ØD (Inch) (mm)	L (mm)	H (mm)	M	N	SxB (mm)	Clamping Interval (mm)	Pieces in Box	Box Weight (kg)	Standart
										Order Code
Heavy Duty Pipe Clamps	1/2"	75	27,2	M8(6.8)	1/2" - 3/4" - 1"	2x25	18 - 23	50	6,333	1018397
Heavy Duty Pipe Clamps	3/4"	81	31,2	M8(6.8)	1/2" - 3/4" - 1"	2x25	26 - 31	50	6,691	1018398
Heavy Duty Pipe Clamps	1"	87	34,2	M8(6.8)	1/2" - 3/4" - 1"	2x25	31 - 37	50	7,016	1018399
Heavy Duty Pipe Clamps	1 1/4"	94	37,7	M8(6.8)	1/2" - 3/4" - 1"	2x25	38 - 44	50	7,429	1018400
Heavy Duty Pipe Clamps	1 1/2"	103	42,7	M8(6.8)	1/2" - 3/4" - 1"	2x25	46 - 53	50	7,911	1018401
Heavy Duty Pipe Clamps	54-60	111	45,7	M8(6.8)	1/2" - 3/4" - 1"	2x25	54 - 60	40	6,772	1018402
Heavy Duty Pipe Clamps	2"	120	49,7	M8(6.8)	1/2" - 3/4" - 1"	2x25	60 - 68	40	7,149	1018403
Heavy Duty Pipe Clamps	66-73	125	52,2	M8(6.8)	1/2" - 3/4" - 1"	2x25	66 - 73	40	7,4	1018404
Heavy Duty Pipe Clamps	2 1/2"	134	56,2	M8(6.8)	1/2" - 3/4" - 1"	2x25	74 - 81	30	5,936	1018405
Heavy Duty Pipe Clamps	82-88	141	60,2	M8(6.8)	1/2" - 3/4" - 1"	2x25	82 - 88	30	6,202	1018423
Heavy Duty Pipe Clamps	3"	149	64,2	M8(6.8)	1/2" - 3/4" - 1"	2x25	88 - 97	30	6,494	1018406
Heavy Duty Pipe Clamps	93-100	154	66,2	M8(6.8)	1/2" - 3/4" - 1"	2x25	93 - 100	30	6,654	1018407
Heavy Duty Pipe Clamps	101-109	161	70,2	M8(6.8)	1/2" - 3/4" - 1"	2x25	101 - 109	30	6,92	1018408
Heavy Duty Pipe Clamps	4"	169	74,2	M8(6.8)	1/2" - 3/4" - 1"	2,5x30	110 - 118	30	9,701	1018409
Heavy Duty Pipe Clamps	116-126	178	79,8	M8(6.8)	1/2" - 3/4" - 1"	2,5x30	116 - 126	30	10,108	1018410
Heavy Duty Pipe Clamps	130-141	192	87,3	M10(8.8)	1/2" - 3/4" - 1"	3x30	130- 141	10	4,866	1018411
Heavy Duty Pipe Clamps	5"	197	89,8	M10(8.8)	1/2" - 3/4" - 1"	3x30	136 - 145	10	4,983	1018412
Heavy Duty Pipe Clamps	144-154	204	93,3	M10(8.8)	1/2" - 3/4" - 1"	3x30	144 - 154	10	5,137	1018413
Heavy Duty Pipe Clamps	6"	220	101,3	M10(8.8)	1/2" - 3/4" - 1"	3x30	160 - 169	10	5,488	1018414
Heavy Duty Pipe Clamps	170-180	229	105,8	M10(8.8)	1/2" - 3/4" - 1"	3x30	170 - 180	20	11	1018424
Heavy Duty Pipe Clamps	202-214	264	123,3	M10(8.8)	1/2" - 3/4" - 1"	3x30	202 - 214	20	12,418	1018415
Heavy Duty Pipe Clamps	8"	279	130,8	M10(8.8)	1/2" - 3/4" - 1"	4x30	219 - 230	15	13,098	1018416
Heavy Duty Pipe Clamps	10"	335	158,8	M10(8.8)	1/2" - 3/4" - 1"	4x30	273 - 283	15	15,613	1018417
Heavy Duty Pipe Clamps	12"	400	182	M12(8.8)	1/2" - 3/4" - 1"	4x40	317 - 333	10	15,543	1018418
Heavy Duty Pipe Clamps	14"	432	198	M12(8.8)	1/2" - 3/4" - 1"	4x40	349 - 365	8	13,529	1018419
Heavy Duty Pipe Clamps	16"	485	226	M12(8.8)	1/2" - 3/4" - 1"	4x40	395 - 411	8	15,328	1018420
Heavy Duty Pipe Clamps	18"	572	253	M16(6.8)	1/2" - 3/4" - 1"	4x40	447 - 463	5	16,765	1018421
Heavy Duty Pipe Clamps	20"	624	279	M16(6.8)	1/2" - 3/4" - 1"	4x40	499 - 515	5	18,36	1018422

■ Please indicate the order code in your orders.

ELECTRO-MECHANICAL SUPPORT AND SUSPENSION SYSTEMS

HEAVY-DUTY PIPE CLAMPS & MUFF (With Rubber)

Heavy-duty clamps are used for the assembly of pipes bearing heavy loads.



Dimensions	Operating Load (KN)	Breaking Load (KN)
1/4" - 95.104	2,75	10
4" - 102.112	3,75	14
10" 122.138	6	20
12" - 20"	11,7	35

Product	ØD (Inch) (mm)	L (mm)	H (mm)	M	N	SxB (mm)	Clamping Interval (mm)	Pieces in Box	Box Weight (kg)	Standart
										Order Code
Heavy Duty Pipe Clamps	1/4"	75	27,2	M8(6.8)	1/2"-3/4"-1"	2x25	12 - 17	50	6,744	1018449
Heavy Duty Pipe Clamps	1/2"	81	31,2	M8(6.8)	1/2"-3/4"-1"	2x25	21 - 28	50	7,259	1018451
Heavy Duty Pipe Clamps	3/4"	87	34,2	M8(6.8)	1/2"-3/4"-1"	2x25	25 - 32	50	7,701	1018452
Heavy Duty Pipe Clamps	1"	94	37,7	M8(6.8)	1/2"-3/4"-1"	2x25	33 - 40	50	8,264	1018453
Heavy Duty Pipe Clamps	1 1/4"	103	42,7	M8(6.8)	1/2"-3/4"-1"	2x25	41 - 48	40	7,183	1018454
Heavy Duty Pipe Clamps	1 1/2"	111	45,7	M8(6.8)	1/2"-3/4"-1"	2x25	48 - 56	40	7,704	1018455
Heavy Duty Pipe Clamps	53-59	120	49,7	M8(6.8)	1/2"-3/4"-1"	2x25	53 - 59	30	6,206	1018456
Heavy Duty Pipe Clamps	2"	125	52,2	M8(6.8)	1/2"-3/4"-1"	2x25	60 - 69	30	6,477	1018457
Heavy Duty Pipe Clamps	67-75	134	56,2	M8(6.8)	1/2"-3/4"-1"	2x25	67 - 75	25	5,793	1018458
Heavy Duty Pipe Clamps	2 1/2"	141	60,2	M8(6.8)	1/2"-3/4"-1"	2x25	75 - 81	25	6,1	1018459
Heavy Duty Pipe Clamps	83-91	149	64,2	M8(6.8)	1/2"-3/4"-1"	2x25	83 - 91	30	7,661	1018477
Heavy Duty Pipe Clamps	3"	154	66,2	M8(6.8)	1/2"-3/4"-1"	2x25	87 - 95	30	7,862	1018460
Heavy Duty Pipe Clamps	95-104	161	70,2	M8(6.8)	1/2"-3/4"-1"	2x25	95 - 104	25	6,904	1018461
Heavy Duty Pipe Clamps	102-112	169	74,2	M8(6.8)	1/2"-3/4"-1"	2,5x30	102 - 112	25	9,334	1018462
Heavy Duty Pipe Clamps	4"	178	79,8	M8(6.8)	1/2"-3/4"-1"	2,5x30	109 - 119	25	9,749	1018463
Heavy Duty Pipe Clamps	122-138	192	87,3	M10(8.8)	1/2"-3/4"-1"	3x30	122 - 138	20	10,601	1018464
Heavy Duty Pipe Clamps	128-141	197	89,8	M10(8.8)	1/2"-3/4"-1"	3x30	128 - 141	20	10,889	1018465
Heavy Duty Pipe Clamps	5"	204	93,3	M10(8.8)	1/2"-3/4"-1"	3x30	136 - 147	10	5,764	1018466
Heavy Duty Pipe Clamps	153-164	220	101,3	M10(8.8)	1/2"-3/4"-1"	3x30	153 - 164	10	6,185	1018467
Heavy Duty Pipe Clamps	6"	229	105,8	M10(8.8)	1/2"-3/4"-1"	3x30	164 - 174	10	6	1018468
Heavy Duty Pipe Clamps	196-209	264	123,3	M10(8.8)	1/2"-3/4"-1"	3x30	196 - 209	20	14,188	1018469
Heavy Duty Pipe Clamps	8"	279	130,8	M10(8.8)	1/2"-3/4"-1"	4x30	214 - 226	15	14,495	1018470
Heavy Duty Pipe Clamps	10"	335	158,8	M10(8.8)	1/2"-3/4"-1"	4x30	266 - 274	15	18,838	1018471
Heavy Duty Pipe Clamps	12"	400	182	M12(8.8)	1/2"-3/4"-1"	4x40	308 - 324	10	17,988	1018472
Heavy Duty Pipe Clamps	14"	432	198	M12(8.8)	1/2"-3/4"-1"	4x40	340 - 356	8	15,685	1018473
Heavy Duty Pipe Clamps	16"	485	226	M12(8.8)	1/2"-3/4"-1"	4x40	395 - 411	8	17,884	1018474
Heavy Duty Pipe Clamps	18"	572	253	M16(6.8)	1/2"-3/4"-1"	4x40	447 - 463	5	20,115	1018475
Heavy Duty Pipe Clamps	20"	624	279	M16(6.8)	1/2"-3/4"-1"	4x40	499 - 515	5	22,11	1018476

■ Please indicate the order code in your orders.

ELECTRO-MECHANICAL SUPPORT AND SUSPENSION SYSTEMS

SILENT PIPE CLAMPS (Horizontal)

Gaskets designed with noise damping formulation reduce air noise.

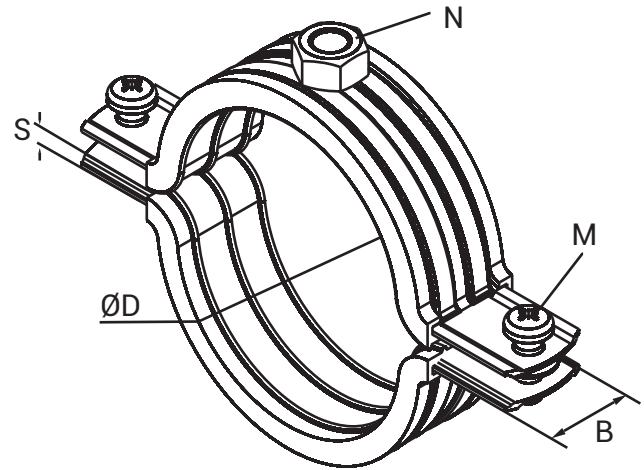
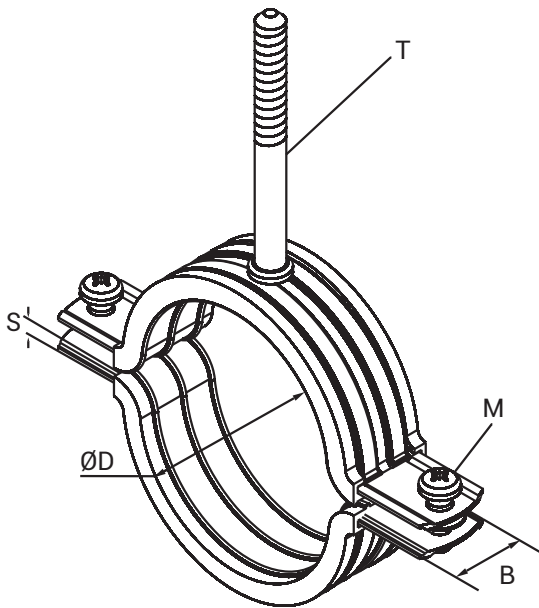
Reduce the transmission of volume noise to installation wall through distinct gasket design.

Have the same properties of junction pieces used in special laboratory areas.

Used in wastewater installations of buildings.

1 clamp is used for horizontal junction.

Thickness of corrosion-free zinc galvanization on metal is 15 microns; it can be made as full protective against corrosion by means of special coating method upon request.



Product	ØD (Inch) (mm)	L (mm)	H (mm)	M	N	C	SxB (mm)	Clamping Interval (mm)	Standart
									Order Code
Silent pipe clamps (Cantilever)	Ø50	105	45,5	M5	M8	38,5	1,2x20	49-51	1018529
Silent pipe clamps (Cantilever)	Ø75	134	60	M6	M10	39,5	1,5x25	70-76	1018530
Silent pipe clamps (Cantilever)	Ø110	170	78	M6	M10	39,5	1,5x25	106-114	1018531
Silent pipe clamps (Cantilever)	Ø125	190	87,5	M6	M10	39,5	2x25	124-130	1018532
Silent pipe clamps (Cantilever)	Ø160	222	103,5	M6	M10	39,5	2x25	155-162	1018533
Silent pipe clamps (Cantilever)	Ø200	257	121	M6	M12	39,5	2x25	191-200	1018534
Silent pipe clamps (Cantilever)	Ø50	105	-	M5	-	37	1,2x20	49-51	
Silent pipe clamps (Cantilever)	Ø75	134	-	M6	-	38	1,5x25	70-76	
Silent pipe clamps (Cantilever)	Ø110	170	-	M6	-	38	1,5x25	106-114	
Silent pipe clamps (Cantilever)	Ø125	190	-	M6	-	38	2x25	124-130	
Silent pipe clamps (Cantilever)	Ø160	222	-	M6	-	38	2x25	155-162	
Silent pipe clamps (Cantilever)	Ø200	257	-	M6	-	38	2x25	191-200	

■ Please indicate the order code in your orders.

ELECTRO-MECHANICAL SUPPORT AND SUSPENSION SYSTEMS

SILENT PIPE CLAMPS (Vertical)

Gaskets designed with noise damping formulation reduce air noise.

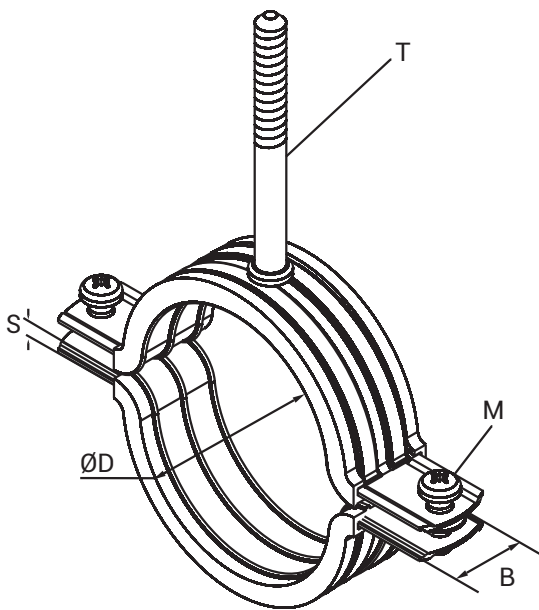
Reduce the transmission of volume noise to installation wall through distinct gasket design.

Have the same properties of junction pieces used in special laboratory areas.

Used in wastewater installations of buildings.

2 clamps are used for vertical junction.

Thickness of corrosion-free zinc galvanize on metal is 15 microns, it can be made as full protective against corrosion by means of special coating method upon request.



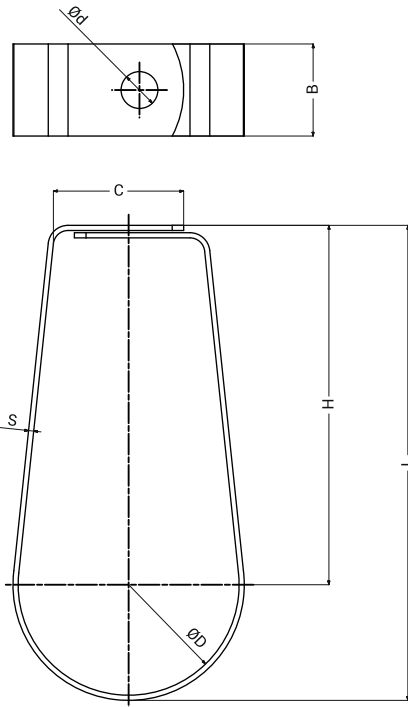
Product	ØD (Inch) (mm)	L (mm)	H (mm)	M	N	C	SxB (mm)	Clamping Interval (mm)	Standart
									Order Code
Silent pipe clamps (with welded long wood screw)	Ø50	105	105,5	M5	Ø7X70	38,5	1,2x20	49-51	1018541
Silent pipe clamps (with welded long wood screw)	Ø75	134	118	M6	Ø7X70	39,5	1,5x25	70-76	1018542
Silent pipe clamps (with welded long wood screw)	Ø110	170	136	M6	Ø7X70	39,5	1,5x25	106-114	1018543
Silent pipe clamps (with welded long wood screw)	Ø125								1018544
Silent pipe clamps (with welded long wood screw)	Ø160								1018545
Silent pipe clamps (with welded long wood screw)	Ø200								1018546
Silent pipe clamps (with welded long wood screw)	Ø50	105	-	M5	Ø7X70	37	1,2x20	49-51	1018553
Silent pipe clamps (with welded long wood screw)	Ø75	134	-	M6	Ø7X70	38	1,5x25	70-76	1018554
Silent pipe clamps (with welded long wood screw)	Ø110	170	-	M6	Ø7X70	38	1,5x25	106-114	1018555
Silent pipe clamps (with welded long wood screw)	Ø125								1018556
Silent pipe clamps (with welded long wood screw)	Ø160								1018557
Silent pipe clamps (with welded long wood screw)	Ø200								1018558

■ Please indicate the order code in your orders.

ELECTRO-MECHANICAL SUPPORT AND SUSPENSION SYSTEMS

PIPE CLAMPS FOR SPRINKLER INSTALLATION

Used for junctions of pipes within water mist, CO₂, foam, powder spraying fire extinguishing and sprinkler systems.



Dimensions	Operating Load (KN)	Breaking Load (KN)
1/2" - 2"	1,5	14
2 1/2" - 4	3,9	21
5" - 6"	7,5	25
8" - 12"	13	40

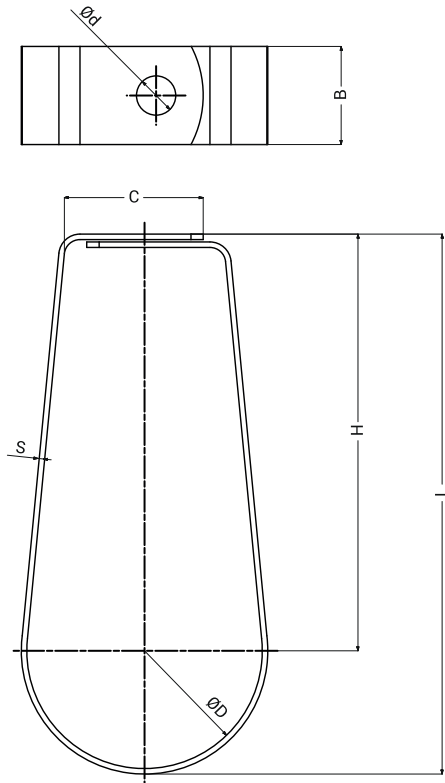
Product	øD (Inch)	L (mm)	H (mm)	øD (mm)	ød (mm)	SxB (mm)	Pieces in Box	Box Weight (kg)	Standart
									Order Code
Pipe Clamps For Sprinkler Instl.	1/2"	51,5	36,5	28	10,5	1x25	150	5	1018577
Pipe Clamps For Sprinkler Instl.	3/4"	53,5	37,5	30	10,5	1x25	125	4,45	1003640
Pipe Clamps For Sprinkler Instl.	1"	65,5	46,5	36	10,5	1x25	100	4,07	1003641
Pipe Clamps For Sprinkler Instl.	1 1/4"	79,9	55,7	46	10,5	1,2x25	75	4,31	1003642
Pipe Clamps For Sprinkler Instl.	1 1/2"	85,9	58,7	52	10,5	1,2x25	60	3,74	1003643
Pipe Clamps For Sprinkler Instl.	2"	99,9	65,7	66	10,5	1,2x25	50	3,7	1003644
Pipe Clamps For Sprinkler Instl.	2 1/2"	116	75,5	78	10,5	1,5x25	35	3,62	1003645
Pipe Clamps For Sprinkler Instl.	3"	132	84,5	92	10,5	1,5x25	25	2,89	1003646
Pipe Clamps For Sprinkler Instl.	4"	167,5	107,5	116	10,5	2x25	30	5,83	1003647
Pipe Clamps For Sprinkler Instl.	5"	200	126,5	142	13	2,5x25	30	8,65	1003648
Pipe Clamps For Sprinkler Instl.	6"	238	150,5	170	13	2,5x25	30	10,2	1003649
Pipe Clamps For Sprinkler Instl.	8"	311,5	197,5	222	17	3x30	10	6,44	1003650
Pipe Clamps For Sprinkler Instl.	10"	384,5	244	275	17	3x30	15	11,82	1018578
Pipe Clamps For Sprinkler Instl.	12"	470	310	324	17	3x30	10	9,4	1018579

■ Please indicate the order code in your orders.

ELECTRO-MECHANICAL SUPPORT AND SUSPENSION SYSTEMS

PIPE CLAMPS FOR SPRINKLER INSTALLATION & MUFF

Used for junctions of pipes within water mist, CO2, foam, powder spraying fire extinguishing and sprinkler systems.



Dimensions	Operating Load (KN)	Breaking Load (KN)
1/2" - 2"	1,5	14
2 1/2" - 4	3,9	21
5" - 6"	7,5	25
8" - 12"	13	40

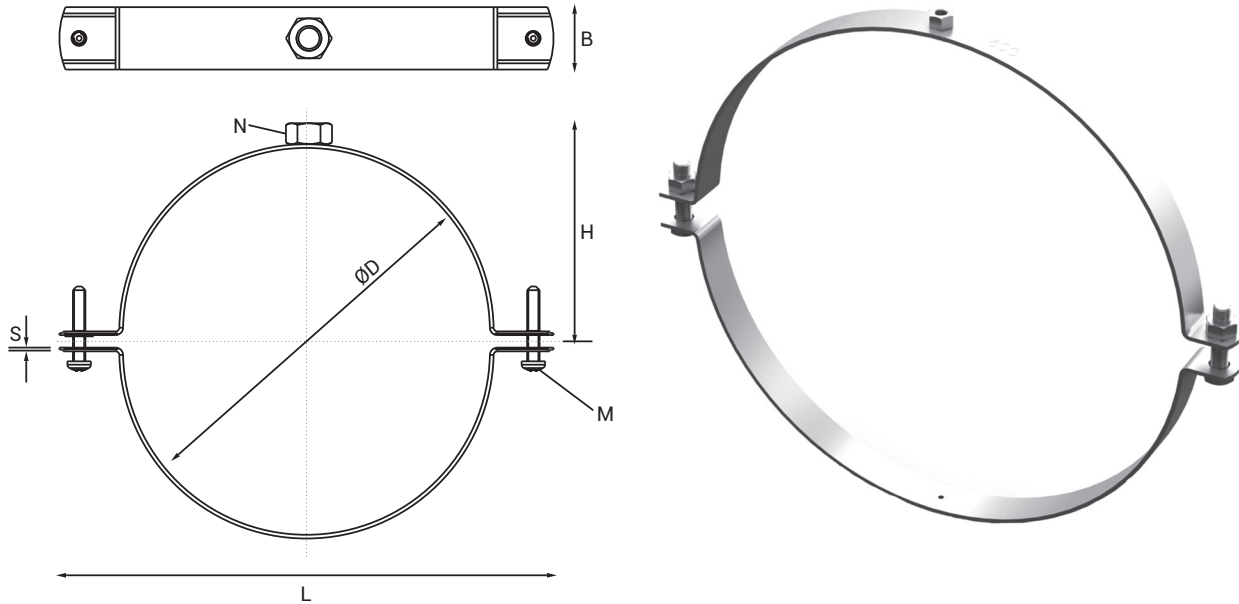
Product	øD (Inch)	L (mm)	H (mm)	øD (mm)	ød (mm)	SxB (mm)	Pieces in Box	Box Weight (kg)	Standart
									Order Code
Pipe Clamps For Sprinkler Instl.	1/2"	63,5	48	28	10,5	1,5x25	100	5,97	1018592
Pipe Clamps For Sprinkler Instl.	3/4"	66,5	50	30	10,5	1,5x25	100	6,42	1018593
Pipe Clamps For Sprinkler Instl.	1"	78,5	59	36	10,5	1,5x25	75	5,32	1018594
Pipe Clamps For Sprinkler Instl.	1 1/4"	87,5	63	46	10,5	1,5x25	50	4,15	1018595
Pipe Clamps For Sprinkler Instl.	1 1/2"	93,5	66	52	10,5	1,5x25	50	4,38	1018596
Pipe Clamps For Sprinkler Instl.	2"	106,5	72	66	10,5	1,5x25	40	4,05	1018597
Pipe Clamps For Sprinkler Instl.	2 1/2"	135,5	94	78	10,5	2,5x25	30	5,92	1018598
Pipe Clamps For Sprinkler Instl.	3"	149,5	101	92	10,5	2,5x25	25	5,59	1018599
Pipe Clamps For Sprinkler Instl.	4"	182,5	122	116	10,5	2,5x25	30	8,05	1018600
Pipe Clamps For Sprinkler Instl.	5"	225,5	151,5	142	13	3x25	25	9,68	1018601
Pipe Clamps For Sprinkler Instl.	6"	264,5	176,5	170	13	3x25	20	8,94	1018602
Pipe Clamps For Sprinkler Instl.	8"	340,5	226,5	222	17	3x40	10	14,3	1018603
Pipe Clamps For Sprinkler Instl.	10"	426	285,5	275	17	3x40	10	12,25	1018604

■ Please indicate the order code in your orders.

ELECTRO-MECHANICAL SUPPORT AND SUSPENSION SYSTEMS

VENTILATION PIPE CLAMPS & NUT (Without Rubber)

Used in cylindrical air-ducts.



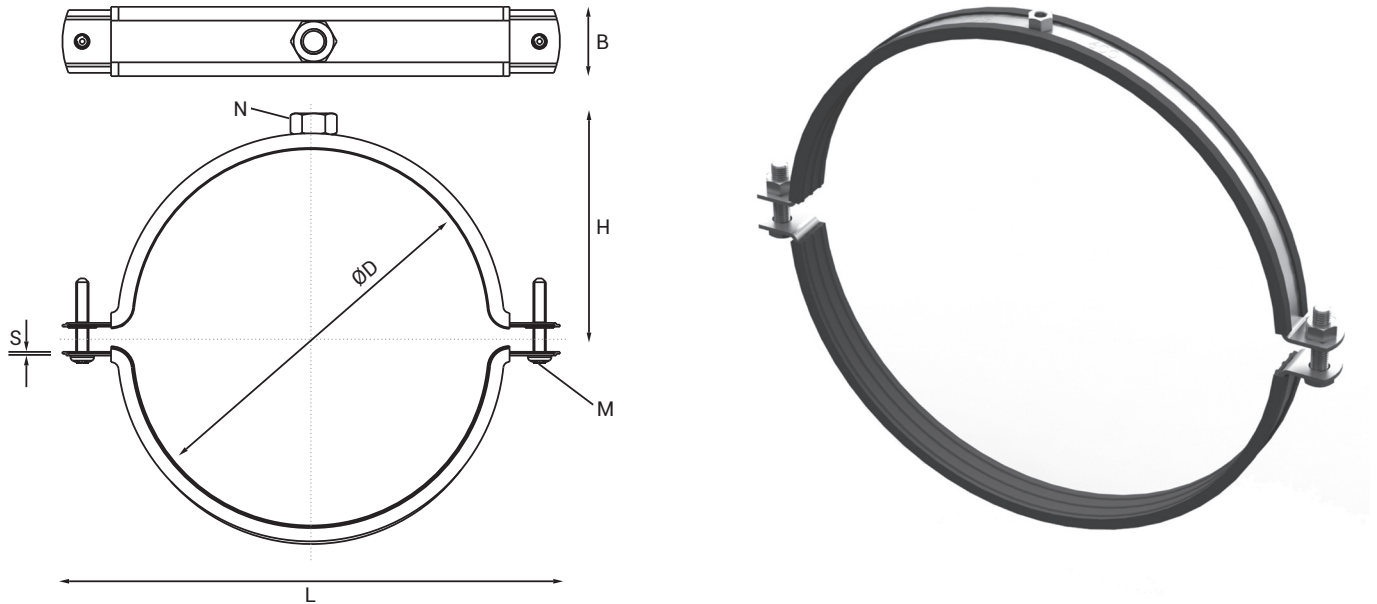
Product	ØD (Inch) (mm)	L (mm)	H (mm)	M	N	SxB (mm)	Pieces in Box	Box Weight (kg)	Standart
									Order Code
Ventilation Pipe Clamps	71	117	52	M6	M8	1,5x20	40	3,622	1018618
Ventilation Pipe Clamps	80	126	56,5	M6	M8	1,5x20	35	3,292	1018619
Ventilation Pipe Clamps	90	136	61,5	M6	M8	1,5x20	35	3,687	1018620
Ventilation Pipe Clamps	100	147	67	M6	M8	1,5x20	35	3,967	1018621
Ventilation Pipe Clamps	112	159	73	M6	M8	1,5x20	35	4,275	1018622
Ventilation Pipe Clamps	125	172	79,5	M6	M8	1,5x20	35	4,607	1018623
Ventilation Pipe Clamps	140	186	86,5	M6	M8	1,5x20	30	4,295	1018624
Ventilation Pipe Clamps	150	197	92	M6	M8	1,5x20	30	4,537	1018625
Ventilation Pipe Clamps	160	209	98	M6	M8	1,5x20	30	4,801	1018626
Ventilation Pipe Clamps	180	229	108	M6	M8	1,5x20	25	4,412	1018627
Ventilation Pipe Clamps	200	247	117	M6	M8	1,5x20	20	3,848	1018628
Ventilation Pipe Clamps	224	280	132	M6	M8	2x25	15	5,199	1018629
Ventilation Pipe Clamps	250	306	145	M6	M8	2x25	20	7,572	1018630
Ventilation Pipe Clamps	280	336	160	M6	M8	2x25	20	8,277	1018631
Ventilation Pipe Clamps	300	357	170,5	M6	M8	2x25	20	8,819	1018632
Ventilation Pipe Clamps	315	372	178	M6	M8	2x25	20	9,186	1018633
Ventilation Pipe Clamps	355	412	198	M6	M8	2x25	20	10,165	1018634
Ventilation Pipe Clamps	400	457	220,5	M6	M8	2x25	20	11,396	1018635
Ventilation Pipe Clamps	450	507	245,5	M6	M8	2x25	15	9,61	1018636
Ventilation Pipe Clamps	500	557	270,5	M6	M8	2x25	10	7	1018637
Ventilation Pipe Clamps	560	627	300	M10	M8	2,5x25	10	10,352	1018638
Ventilation Pipe Clamps	600	667	320	M10	M8	2,5x25	10	10,964	1018639
Ventilation Pipe Clamps	630	697	335	M10	M8	2,5x25	10	11,423	1018640

■ Please indicate the order code in your orders.

ELECTRO-MECHANICAL SUPPORT AND SUSPENSION SYSTEMS

VENTILATION PIPE CLAMPS & NUT (With Rubber)

Used in cylindrical air-ducts.



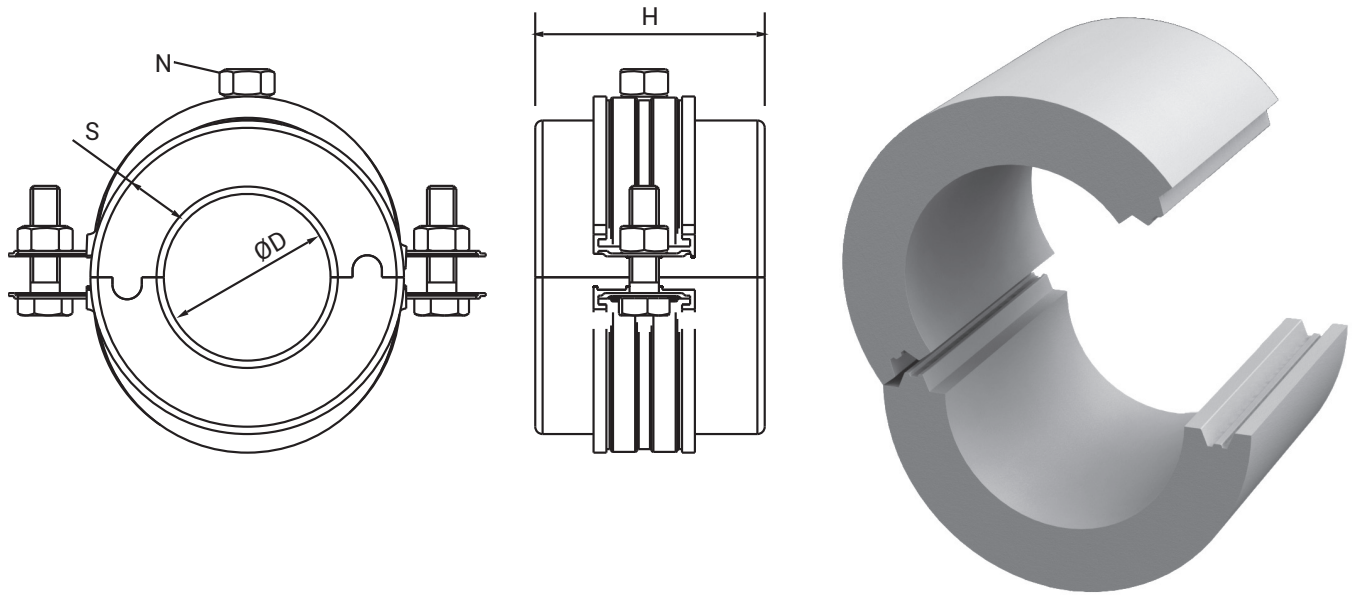
Product	ØD (Inch) (mm)	L (mm)	H (mm)	M	N	SxB (mm)	Pieces in Box	Box Weight (kg)	Standart
									Order Code
Ventilation Pipe Clamps	71	117	52	M6	M8	1,5x20	40	4,618	1018664
Ventilation Pipe Clamps	80	126	56,5	M6	M8	1,5x20	35	4,419	1018665
Ventilation Pipe Clamps	90	136	61,5	M6	M8	1,5x20	35	4,794	1018666
Ventilation Pipe Clamps	100	147	67	M6	M8	1,5x20	35	5,217	1018667
Ventilation Pipe Clamps	112	159	73	M6	M8	1,5x20	35	5,616	1018668
Ventilation Pipe Clamps	125	172	79,5	M6	M8	1,5x20	35	6,133	1018669
Ventilation Pipe Clamps	140	186	86,5	M6	M8	1,5x20	30	5,682	1018670
Ventilation Pipe Clamps	150	197	92	M6	M8	1,5x20	30	6,004	1018671
Ventilation Pipe Clamps	160	209	98	M6	M8	1,5x20	30	6,487	1018672
Ventilation Pipe Clamps	180	229	108	M6	M8	1,5x20	25	5,959	1018673
Ventilation Pipe Clamps	200	247	117	M6	M8	1,5x20	20	5,203	1018674
Ventilation Pipe Clamps	224	280	132	M6	M8	2x25	15	6,453	1018675
Ventilation Pipe Clamps	250	306	145	M6	M8	2x25	20	9,378	1018676
Ventilation Pipe Clamps	280	336	160	M6	M8	2x25	20	10,38	1018677
Ventilation Pipe Clamps	300	357	170,5	M6	M8	2x25	20	11,02	1018678
Ventilation Pipe Clamps	315	372	178	M6	M8	2x25	20	11,51	1018679
Ventilation Pipe Clamps	355	412	198	M6	M8	2x25	20	12,8	1018680
Ventilation Pipe Clamps	400	457	220,5	M6	M8	2x25	20	14,24	1018681
Ventilation Pipe Clamps	450	507	245,5	M6	M8	2x25	15	12,17	1018682
Ventilation Pipe Clamps	500	557	270,5	M6	M8	2x25	10	11	1018683
Ventilation Pipe Clamps	560	627	300	M10	M8	2,5x25	10	12,58	1018684
Ventilation Pipe Clamps	600	667	320	M10	M8	2,5x25	10	13,33	1018685
Ventilation Pipe Clamps	630	697	335	M10	M8	2,5x25	10	13,94	1018686

■ Please indicate the order code in your orders.

ELECTRO-MECHANICAL SUPPORT AND SUSPENSION SYSTEMS

POLYURETHANE INSULATION MOUNT

Superior heat insulation material used in the entire piping systems.
Eliminates heat loss within the pipes in hot and cold pipe installations.



Technical Specifications	Approximate Value
Density	80 kg/m ³
Temperature Resistance	-150°C / +130°C

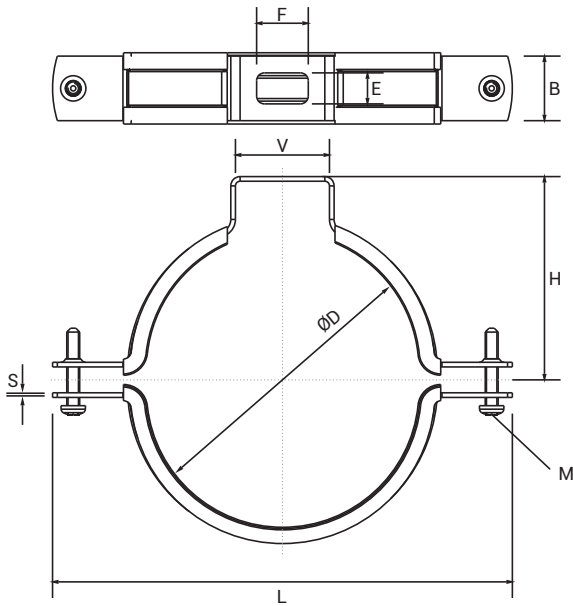
Product	ØD (Inch)	L	S	ØD (mm)	Clamp Sizes	Standart
						Order Code
Polyurethane Insulation Mount	½"	50	20	21,3	2"	1018710
Polyurethane Insulation Mount	¾"	50	20	26,9	67-73	1018711
Polyurethane Insulation Mount	1"	50	20	33,7	67-73	1018712
Polyurethane Insulation Mount	1¼"	50	20	42,4	83-93	1018713
Polyurethane Insulation Mount	1½"	50	20	48,3	3"	1018714
Polyurethane Insulation Mount	2"	50	20	60,3	94-104	1018715
Polyurethane Insulation Mount	2½"	50	30	76,1	5"	1018716
Polyurethane Insulation Mount	3"	50	30	88,9	5"	1018717
Polyurethane Insulation Mount	4"	100	30	114,3	6"	1018718
Polyurethane Insulation Mount	5"	100	30	139,7	196-209	1018719
Polyurethane Insulation Mount	6"	100	30	168,3	8"	1018720
Polyurethane Insulation Mount	8"	100	30	219,1	10"	1018721
Polyurethane Insulation Mount	10"	100	30	273	12"	1018722
Polyurethane Insulation Mount	12"	100	30	324	380-390	1018742
Polyurethane Insulation Mount	14"	100	30	355,6	16"	1018743
Polyurethane Insulation Mount	16"	100	30	406,4	18"	1018744

■ Please indicate the order code in your orders.

ELECTRO-MECHANICAL SUPPORT AND SUSPENSION SYSTEMS

PVC PIPE CLAMPS

Used for the assembly of PVC wastewater pipes.



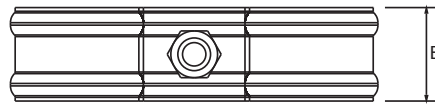
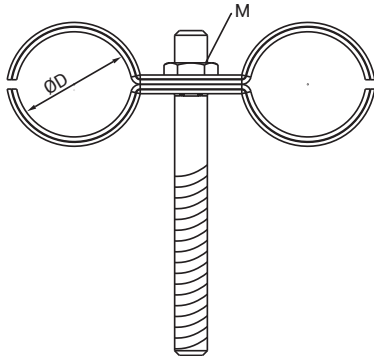
Product	øD (mm)	L (mm)	H (mm)	M	ExF (mm)	SxB (mm)	V (mm)	Clamping Interval (mm)	Pieces in Box	Box Weight (kg)	Standart
											Order Code
PVC Clamps	50	98	45,5	M5	9x18	1,2x20	36	49-51	75	5,13	1018736
PVC Clamps	75	128	58,5	M6	9x18	1,5x25	36	70-76	50	7,51	1018737
PVC Clamps	100	155	74,5	M6	9x18	1,5x25	36	106-114	30	5,93	1018738
PVC Clamps	125	178	89,5	M6	12,5x20	2x25	36		25	6,86	1018739
PVC Clamps	150	207	103,5	M6	12,5x20	2x25	36		20	6,3	1018740
PVC Clamps	200	251	134,5	M6	12,5x20	2x25	36		10	4	1018741

■ Please indicate the order code in your orders.

ELECTRO-MECHANICAL SUPPORT AND SUSPENSION SYSTEMS

DOUBLE CLAMPS

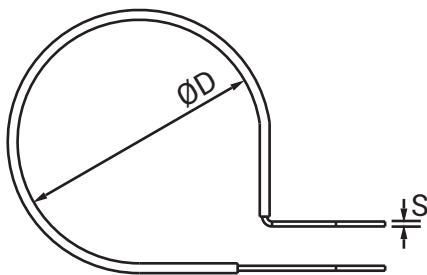
Double Clamps are used for anchoring of pipes with same diameter laid parallel to each other when mounted on the wall, ceiling and floor both vertically and horizontally.



Product	ØD (mm)	M	SxB (mm)	Clamping Interval (mm)	Pieces in Box	Box Weight (kg)	Standart	
							Order Code	
Double Clamps	3/8"	M8	1x20	16-20	200	5,6	1018748	
Double Clamps	1/2"	M8	1x20	20-25	200	10,6	1018749	
Double Clamps	3/4"	M8	1x20	25-30	200	11,8	1018750	

MULTI-PURPOSE CLAMPS

Used for anchoring of pipes, hoses and electric cables in automotive, domestic appliances sectors.



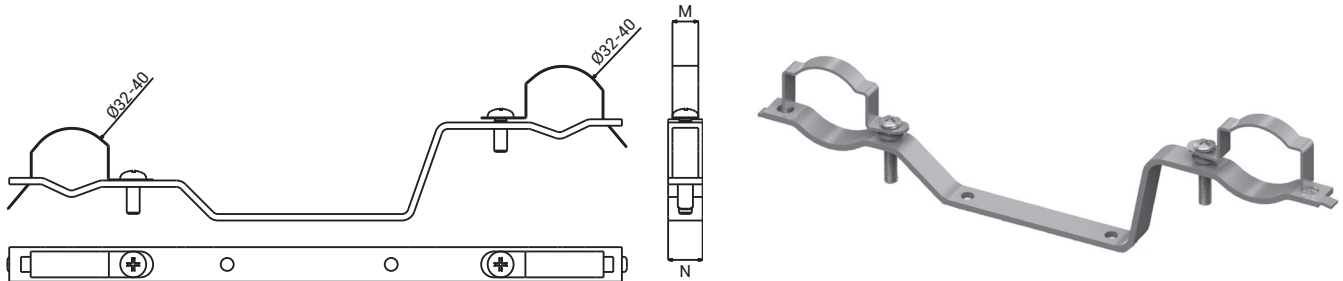
Product	ØD (Inch) (mm)	L (mm)	H (mm)	M	SxB (mm)	Clamping Interval (mm)	Pieces in Box	Box Weight (kg)	Standart	
									Order Code	
Multi-Purpose Clamps	3/8"	58,5	23,5	M6	1,40x40	16-20	200	6,7	1018754	
Multi-Purpose Clamps	1/2"	62,5	25	M6	1,40x20	20-25	200	8,5	1018755	
Multi-Purpose Clamps	3/4"	68,5	27,5	M6	1,40x40	25-30	200	10,4	1018756	
Multi-Purpose Clamps	1"	76	31	M6	1,40x20	31-38	150	12	1018757	
Multi-Purpose Clamps	1 1/4"	91,5	34,5	M6	1,40x40	38-45	100	10	1018758	
Multi-Purpose Clamps	1 1/2"	99	38,5	M6	1,40x20	45-52	100	10,5	1018759	
Multi-Purpose Clamps	2"	112	44,5	M6	1,40x40	59-66			1018760	
Multi-Purpose Clamps	2 1/2"	134	55,5	M6	1,80x25	75-84			1018761	
Multi-Purpose Clamps	3"	145	61	M6	1,80x25	84-93			1018762	
Multi-Purpose Clamps	4"	170	72	M6	1,80x25	110-119			1018763	
Multi-Purpose Clamps	5"	197	85,5	M6	1,80x25	137-145			1018764	
Multi-Purpose Clamps	6"	257	114,5	M6	1,80x25	163-172			1018765	
Multi-Purpose Clamps	8"	272	118,5	M6	1,80x25	207-219			1018766	

■ Please indicate the order code in your orders.

ELECTRO-MECHANICAL SUPPORT AND SUSPENSION SYSTEMS

COLLECTOR CLAMPS

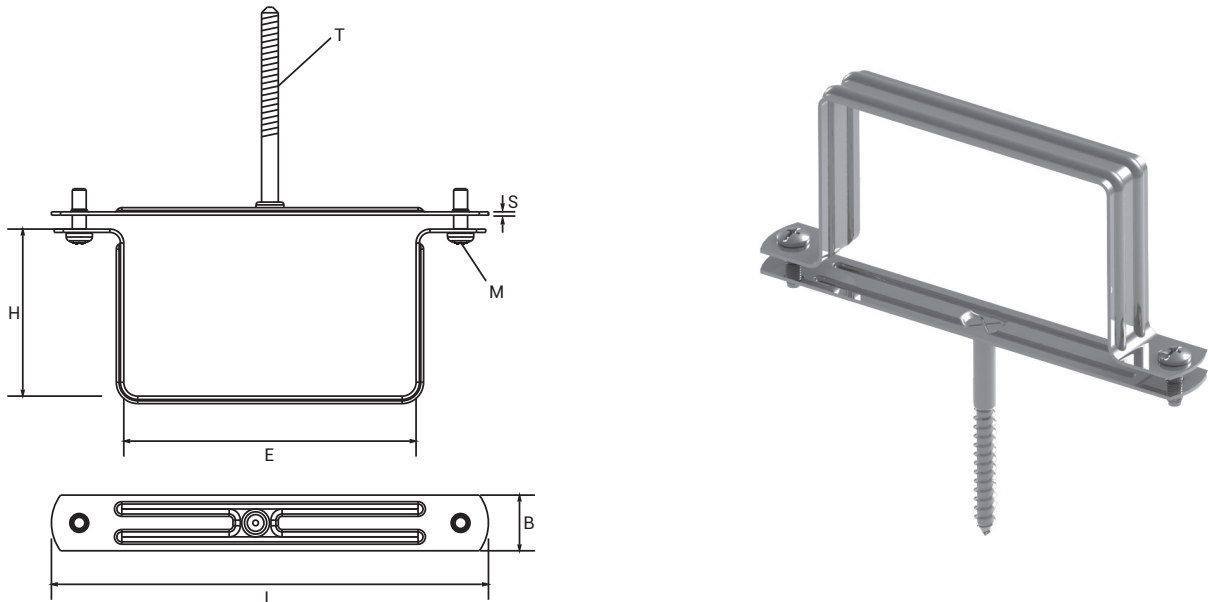
Used for multi-purpose suspension, support and anchorage element.



Product	M	N	Clamping Interval (mm)	Pieces in Box	Box Weight (kg)	Standart
						Order Code
Collector Clamps	10,5	15	32-40	50		1018780

RECTANGLE CLAMPS (Reinforced)

Used for the assembly of square PVC, wastewater pipes and rectangle ventilation pipes on the walls (horizontally and vertically), ceiling and floor.



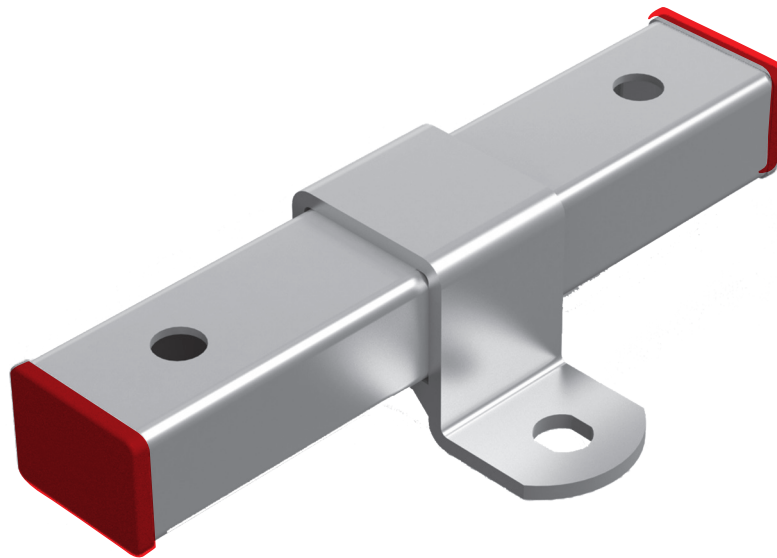
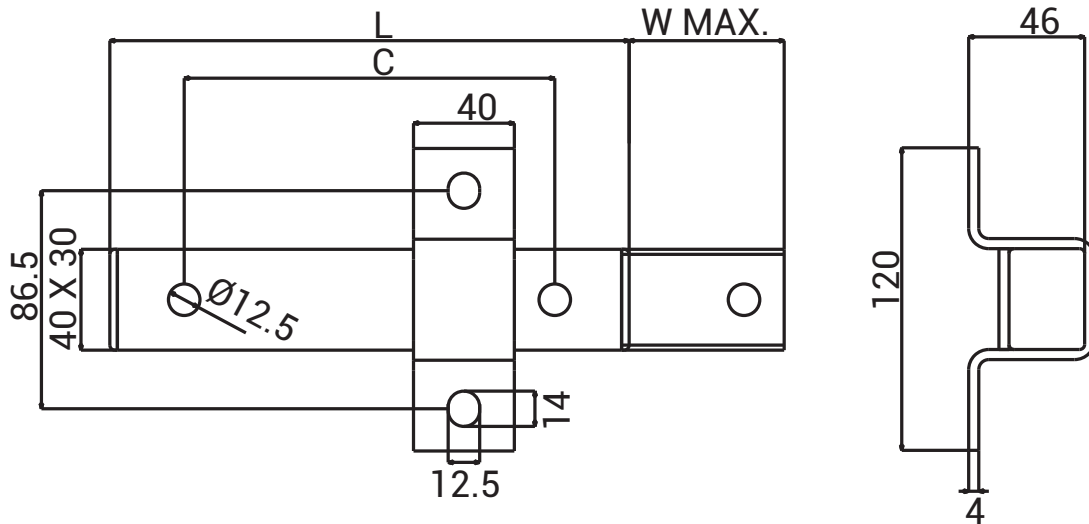
Product	ØD (Inch) (mm)	L (mm)	H (mm)	E (mm)	M	SxB (mm)	T	Pieces in Box	Box Weight (kg)	Standart
										Order Code
Rectangle C lamps	60x100	150	58	101	M6	1,2x20	Φ7x70	25	2,628	1018782

■ Please indicate the order code in your orders.

ELECTRO-MECHANICAL SUPPORT AND SUSPENSION SYSTEMS

SLIDING SUPPORT

Used for elimination of problems and flaws resulting from the expansion and contraction characteristics of materials caused by heat interchange of the pipes.



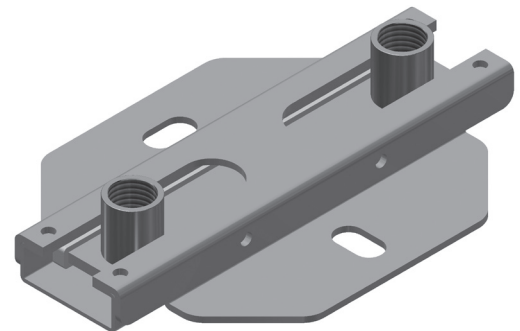
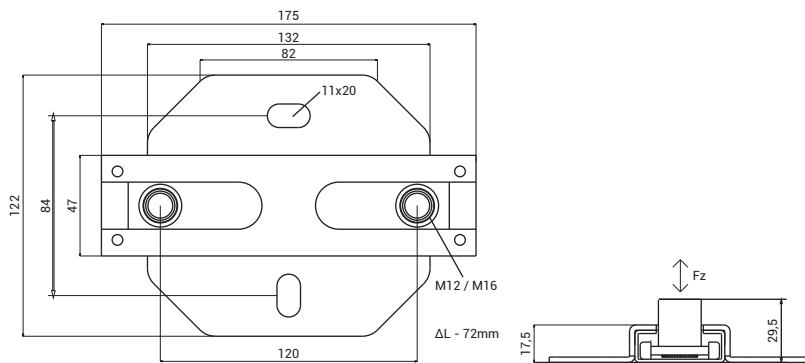
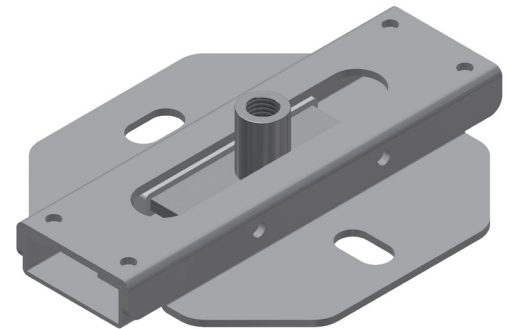
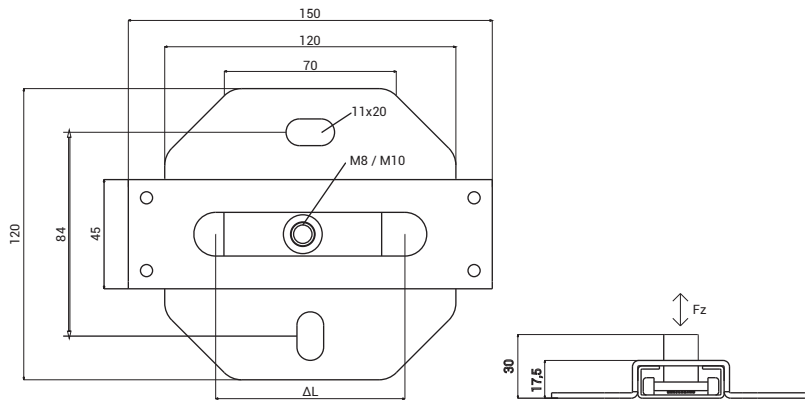
Product	Dimensions (mm)	L (mm)	C (mm)	W (max)	Operating Load	Pieces in Box	Box Weight (kg)	Standart
								Order Code
Sliding Support	30x40x2x200	208	147	85	1,3	25	17,375	1019640
Sliding Support	30x40x2x250	258	197	135	1,3	25	19,915	1019641
Sliding Support	50x50x3x250	260	200	127	7,65	10	21,04	1019642

■ Please indicate the order code in your orders.

ELECTRO-MECHANICAL SUPPORT AND SUSPENSION SYSTEMS

SLIDING SUPPORT

Used for elimination of problems and flaws resulting from the expansion and contraction characteristics of materials caused by heat interchange of the pipes.



Product	Dimensions (mm)	Fz (kN)	ΔL (mm)	Standart
				Order Code
Sliding Support	M8 - M10	1,2 kN	80	3133478
Sliding Support	M12 - M16	2,0 kN	72	3133479

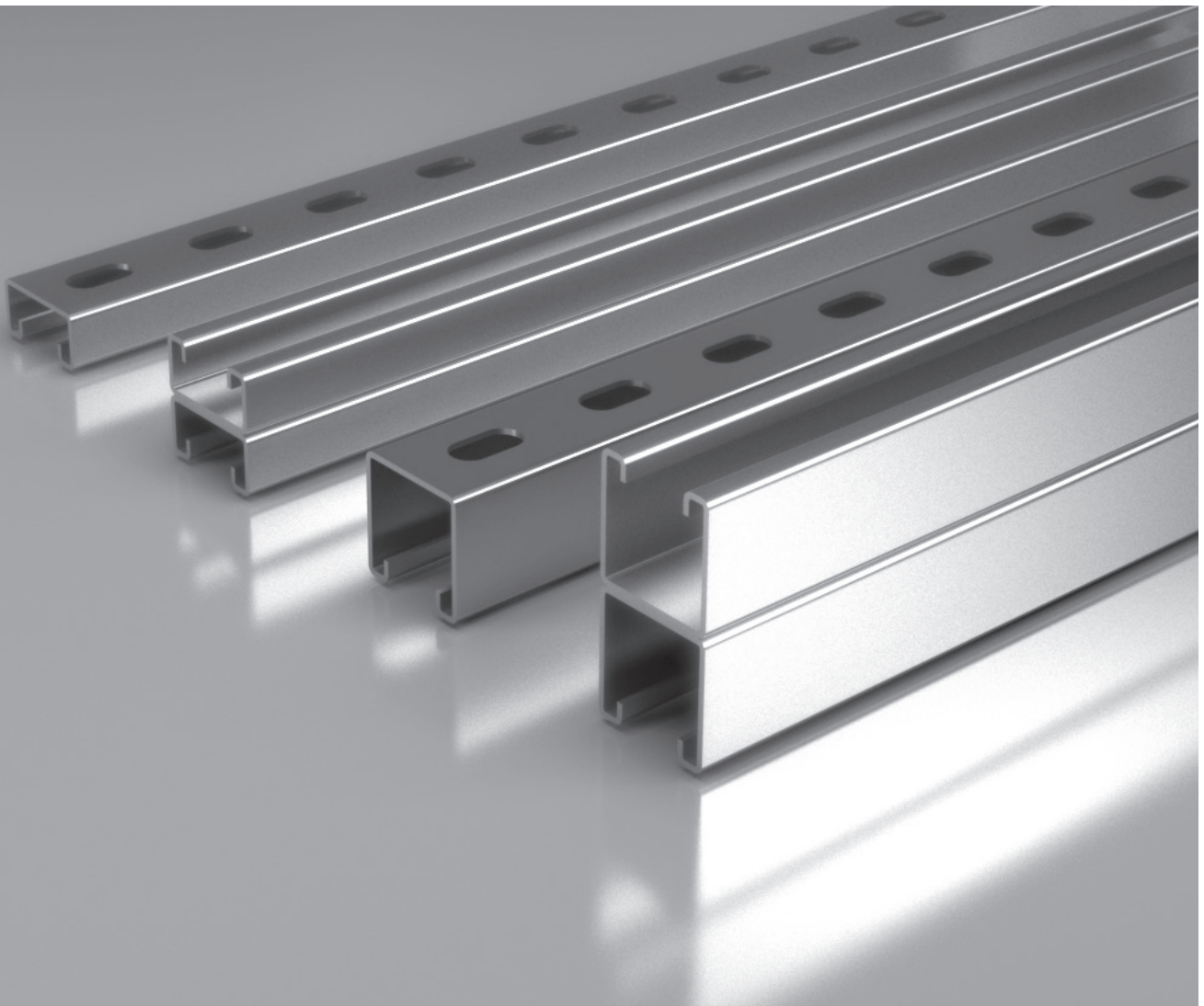
■ Please indicate the order code in your orders.

	Component List				
Item	Component	Quantity			
			Company :		
			Project :		
			Project No :		
			Name :		
			Date :		
			Signature :		
			Prepared by		
<div style="display: flex; justify-content: space-between; align-items: center;"> 34 www.eaeelectric.com </div>					

Please duplicate this page for your own use.

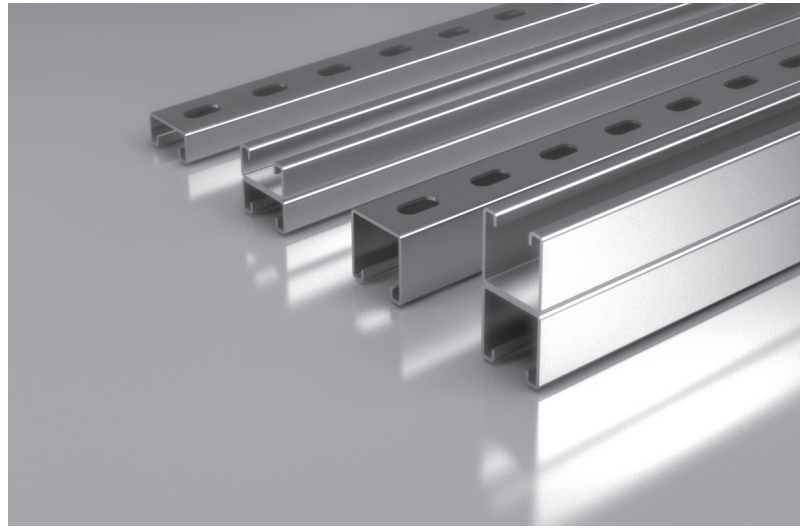


BINRAK STRUT CHANNEL (G Profile)



BINRAK STRUT CHANNEL (G-Profile)

Used for the purposes of multi-purpose suspension, support and anchorage element. Thanks to the threaded structure within the profile, it displays more resistant and enduring behaviour in vertical applications under heavy load. Used for suspension of mechanical and electric installations.



BINRAK STRUT CHANNEL (G-Profile)

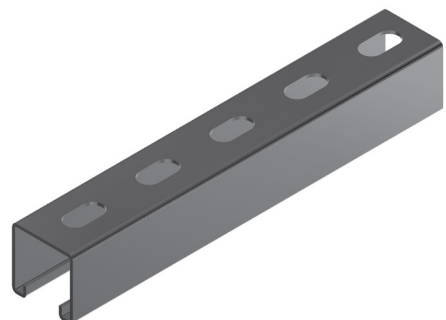
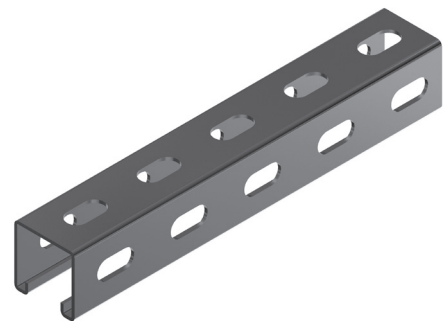
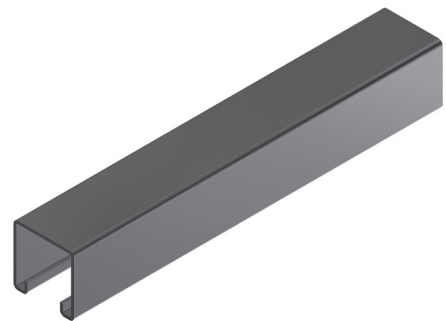
As the profile is used in various sectors and distinct dimensions, additions of holes can be incorporated on the profiles by the designers and users for aesthetic purposes and in order to facilitate the utilization accordingly. These profiles, preferred as perforated, are manufactured with production lines equipped with cutting-edge technology and in dimensions and axis requested for perforation, burr-free cutting in sizes and dimensions requested packaging specific to individuals and enterprises according to project details. Perforation can be done on these profiles that are designed in accordance with high automation and high capacity production lines on the entire spots requested by means of ability to load 3D drawings thereof.

G-profiles can be preferred for various purposes within various sectors. These sectors are mainly construction, heavy and light duty type steel construction systems, industrial construction and energy. G-Profiles are preferred as support or auxiliary elements in industrial buildings and steel buildings.

Coating and mechanical preferences can be done on materials convenient for special designed projects. Product selection can be done based on the weight of the system to be supported or suspended in the project designs to be done. Furthermore, hot dipping galvanize process is applied to increase the resistance of the material against corrosion.

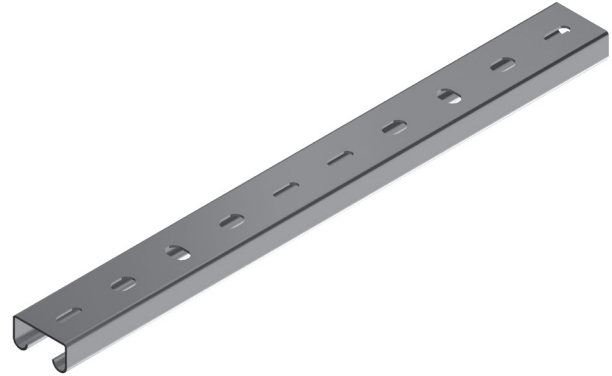
G-Profiles offer material and price advantage up to 40% due to their high bearing capacity as durability compared with structures manufactured by using heavy rolling mill profiles. In addition to this, G-Profiles has made steel construction structures faster, more reliable and economic due to their high production rate, short deadlines, delivery easiness and modular structure ensuring assembly facilitation.

G-Profiles ensure easy and quick assembly in electromechanical suspension systems without the need for welding process. As part severance and fractures do not occur in carrying systems of the structures, it is a more reliable and preferred system. Modular construction systems are the most convenient construction systems for earthquake-prone countries in particular and the countries located on regions of natural disasters. Besides, it has numerous benefits and advantages such as assembly facilitation, long-life due to hot dipping galvanize process and short workmanship time.



ELECTRO-MECHANICAL SUPPORT AND SUSPENSION SYSTEMS

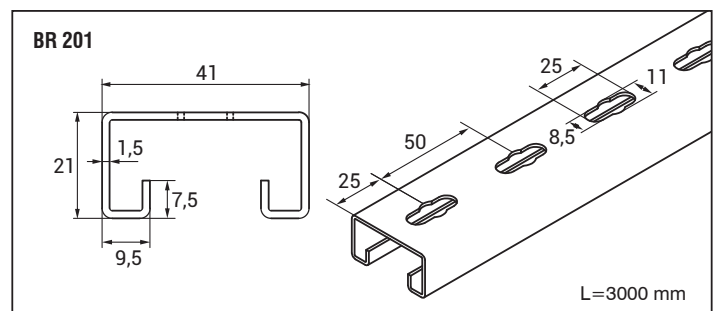
BINRAK STRUT CHANNEL (G Profile)



Product	Thickness T (mm)	Height H (mm)	Width W (mm)	Standard Length L (mm)	Hole Sizes (mm)	Pre-galvanized (TS EN 10346 - TS EN 10143)		Hot-Dip Galvanized (TS EN ISO 1461)	
						Weight (kg./m.)	Order Code	Weight (kg./m.)	Order Code
BR 201 BİNRAK	1,5	21	41	3000	ø8,5 - ø11	1,207	3008330	1,327	3008331

Profile Cross-sectional Properties		X-X			Y-Y		
Product	Cross sectional area (cm ²)	Moment of Inertia I (cm ⁴)	Section Modulus S (cm ³)	Radius Of Gyration R (cm)	Moment of Inertia I (cm ⁴)	Section Modulus S (cm ³)	Radius Of Gyration R (cm)
BR 201	1,60	1,01	0,96	0,79	3,89	3,70	1,55

SAFE WORKING LOAD			
L (mm)	Deflexion (mm)	Point	Distributed
		F (kN)	F (kN)
500	2,50	0,72	1,15
750	3,75	0,52	0,83
1000	5,00	0,35	0,56
1250	6,25	0,27	0,43
1500	7,50	0,19	0,30
1750	8,75	0,13	0,20
2000	10,00	0,09	0,14

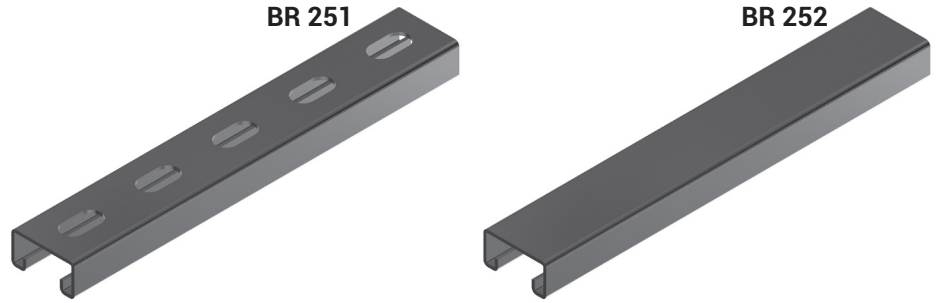


• Maximum deflexion L/200 value is not exceeded in the indicated L (mm) size.

- Please indicate the order code in your orders.
- Please contact us for your orders with customized sizes.

ELECTRO-MECHANICAL SUPPORT AND SUSPENSION SYSTEMS

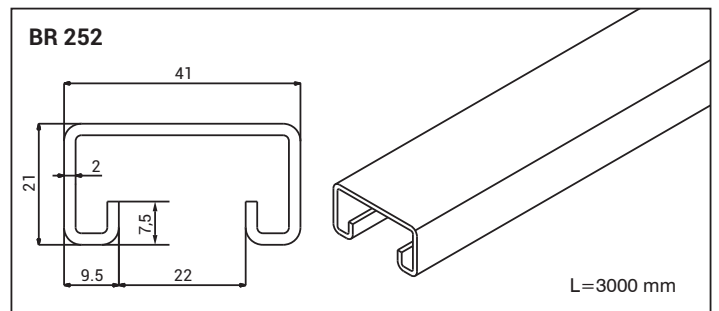
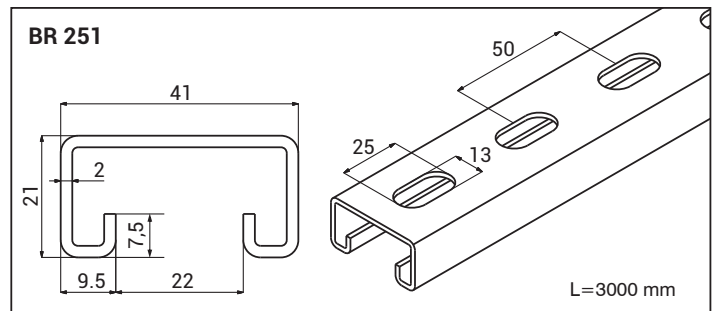
BINRAK STRUT CHANNEL



Product	Thickness T (mm)	Height H (mm)	Width W (mm)	Standard Length L (mm)	Hole Sizes (mm)	Pre-galvanized (TS EN 10346 - TS EN 10143)		Hot-Dip Galvanized (TS EN ISO 1461)	
						Weight (kg./m.)	Order Code	Weight (kg./m.)	Order Code
BR 251 BİNRAK	2	21	41	3000	13X25	1,477	3006387	1,624	3006388
BR 252 BİNRAK	2	21	41	3000	-	1,568	3006391	1,725	3006392

Product	X-X				Y-Y		
	Cross sectional area (cm ²)	Moment of Inertia I (cm ⁴)	Section Modulus S (cm ³)	Radius Of Gyration R (cm)	Moment of Inertia I (cm ⁴)	Section Modulus S (cm ³)	Radius Of Gyration R (cm)
BR 251-BR 252	1,99	1,17	1,11	0,76	4,70	4,47	1,53

SAFE WORKING LOAD			
L (mm)	Deflexion (mm)	Point	Distributed
		F (kN)	F (kN)
500	2,50	1,10	1,76
750	3,75	0,80	1,28
1000	5,00	0,54	0,86
1250	6,25	0,36	0,57
1500	7,50	0,25	0,40
1750	8,75	0,17	0,27
2000	10,00	0,12	0,23
2250	11,25	0,10	0,16
2500	12,50	0,09	0,14
2750	13,75	0,08	0,12
3000	15,00	0,07	0,11

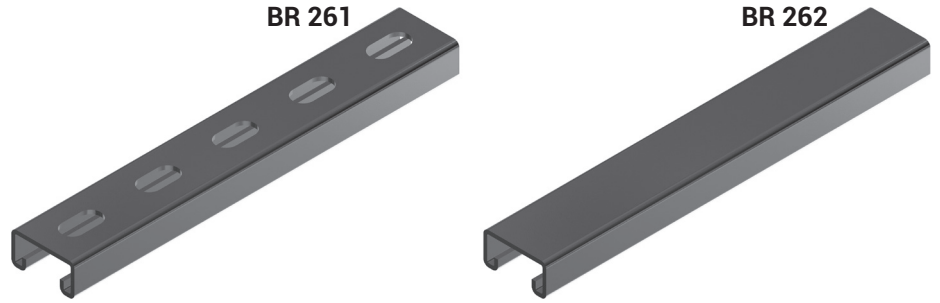


• Maximum deflexion L/200 value is not exceeded in the indicated L (mm) size.

- Please indicate the order code in your orders.
- Please contact us for your orders with customized sizes.

ELECTRO-MECHANICAL SUPPORT AND SUSPENSION SYSTEMS

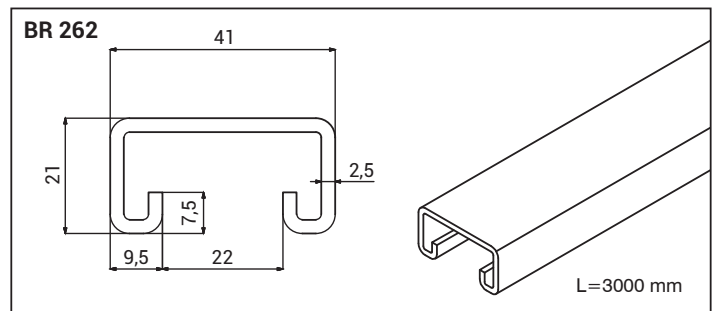
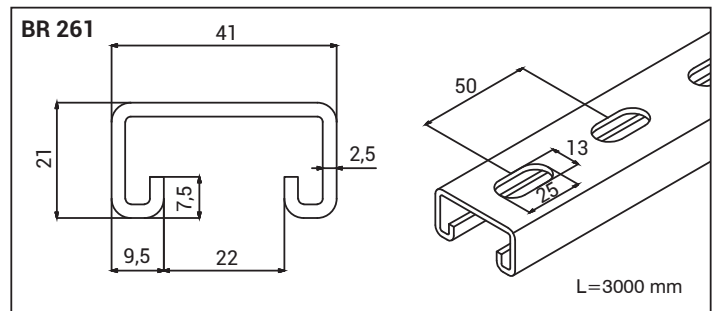
BINRAK STRUT CHANNEL



Product	Thickness T (mm)	Height H (mm)	Width W (mm)	Standard Length L (mm)	Hole Sizes (mm)	Pre-galvanized (TS EN 10346 - TS EN 10143)		Hot-Dip Galvanized (TS EN ISO 1461)	
						Weight (kg./m.)	Order Code	Weight (kg./m.)	Order Code
BR 261 BİNRAK	2,5	21	41	3000	13X25	1,776	3008372	1,952	3008373
BR 262 BİNRAK	2,5	21	41	3000	-	1,888	3006393	2,077	3006394

Product	X-X				Y-Y		
	Cross sectional area (cm ²)	Moment of Inertia I (cm ⁴)	Section Modulus S (cm ³)	Radius Of Gyration R (cm)	Moment of Inertia I (cm ⁴)	Section Modulus S (cm ³)	Radius Of Gyration R (cm)
BR 261 - BR 262	2,40	1,32	1,25	0,74	5,54	5,27	1,51

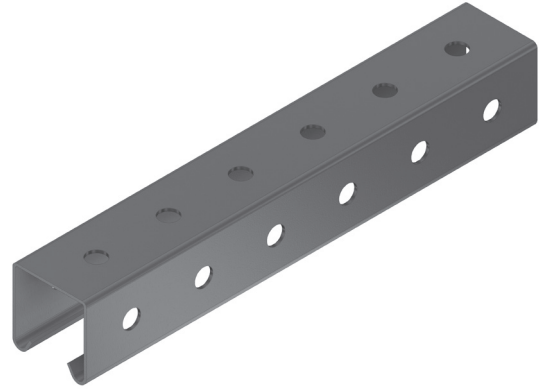
SAFE WORKING LOAD			
L (mm)	Deflexion (mm)	Point	Distributed
		F (kN)	F (kN)
500	2,50	1,20	1,92
750	3,75	0,88	1,40
1000	5,00	0,60	0,96
1250	6,25	0,44	0,70
1500	7,50	0,32	0,51
1750	8,75	0,23	0,36
2000	10,00	0,17	0,27
2250	11,25	0,14	0,22
2500	12,50	0,11	0,17
2750	13,75	0,09	0,14
3000	15,00	0,08	0,12



• Maximum deflexion L/200 value is not exceeded in the indicated L (mm) size.

- Please indicate the order code in your orders.
- Please contact us for your orders with customized sizes.

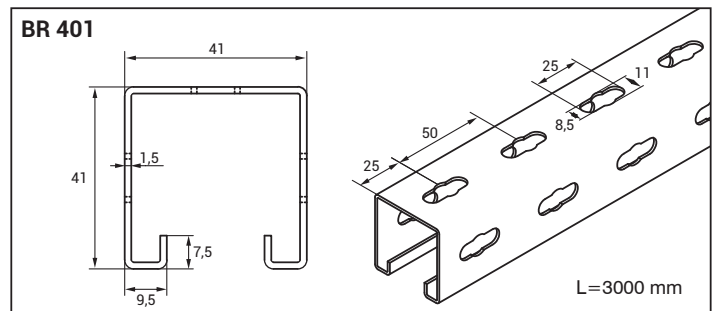
BINRAK STRUT CHANNEL



Product	Thickness T (mm)	Height H (mm)	Width W (mm)	Standard Length L (mm)	Hole Sizes (mm)	Pre-galvanized (TS EN 10346 - TS EN 10143)		Hot-Dip Galvanized (TS EN ISO 1461)	
						Weight (kg./m.)	Order Code	Weight (kg./m.)	Order Code
						BR 401 BİNRAK	1,5	41	41

Profile Cross-sectional Properties		X-X			Y-Y		
Product	Cross sectional area (cm ²)	Moment of Inertia I (cm ⁴)	Section Modulus S (cm ³)	Radius Of Gyration R (cm)	Moment of Inertia I (cm ⁴)	Section Modulus S (cm ³)	Radius Of Gyration R (cm)
BR 401	2,17	5,08	2,47	1,52	6,13	5,83	1,68

SAFE WORKING LOAD			
L (mm)	Deflexion (mm)	Point	Distributed
		F (kN)	F (kN)
500	2,50	1,40	2,24
750	3,75	1,30	2,08
1000	5,00	1,20	1,92
1250	6,25	1,06	1,69
1500	7,50	0,90	1,44
1750	8,75	0,68	1,08
2000	10,00	0,50	0,80
2250	11,25	0,38	0,60
2500	12,50	0,30	0,48
2750	13,75	0,24	0,38
3000	15,00	0,20	0,32



• Maximum deflexion L/200 value is not exceeded in the indicated L (mm) size.

- Please indicate the order code in your orders.
- Please contact us for your orders with customized sizes.

ELECTRO-MECHANICAL SUPPORT AND SUSPENSION SYSTEMS

BINRAK STRUT CHANNEL

BR 251A



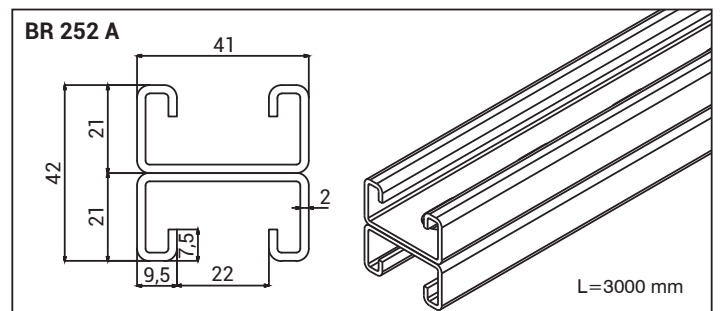
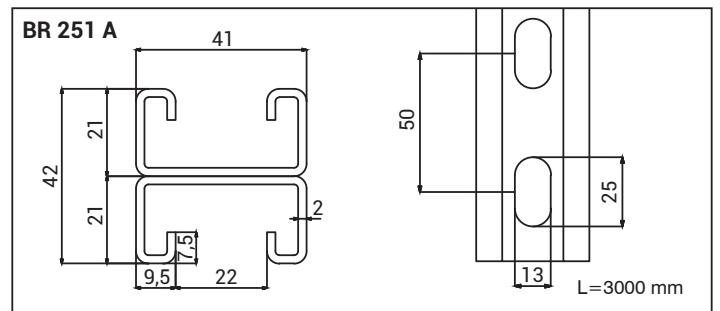
BR 252A



Product	Thickness T (mm)	Height H (mm)	Width W (mm)	Standard Length L (mm)	Hole Sizes (mm)	Hot-Dip Galvanized (TS EN ISO 1461)	
						Weight (kg./m.)	Order Code
BR 251A BİNRAK	2	42	41	3000	13X25	3,248	3000740
BR 252A BİNRAK	2	42	41	3000	-	3,450	3000737

Product	X-X			Y-Y			
	Cross sectional area (cm ²)	Moment of Inertia I (cm ⁴)	Section Modulus S (cm ³)	Radius Of Gyration R (cm)	Moment of Inertia I (cm ⁴)	Section Modulus S (cm ³)	Radius Of Gyration R (cm)
BR 251A-BR 252A	3,99	5,48	2,60	1,17	9,40	4,47	1,53

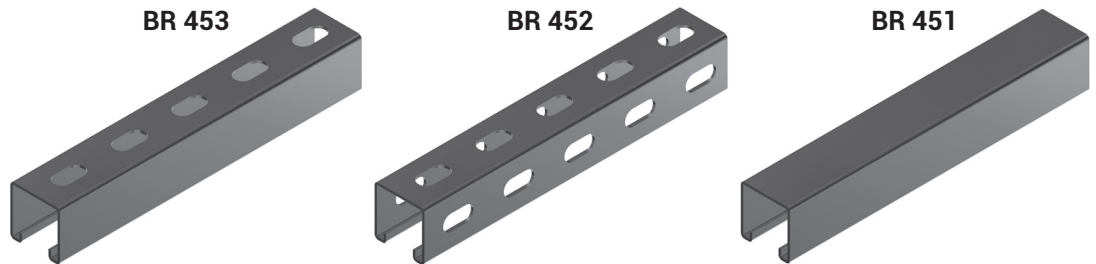
SAFE WORKING LOAD			
L (mm)	Deflexion (mm)	Point	Distributed
		F (kN)	F (kN)
500	2,50	2,80	4,48
750	3,75	2,30	3,68
1000	5,00	1,85	2,96
1250	6,25	1,45	2,32
1500	7,50	1,10	1,76
1750	8,75	0,85	1,36
2000	10,00	0,68	1,08
2250	11,25	0,53	0,84
2500	12,50	0,42	0,67
2750	13,75	0,35	0,56
3000	15,00	0,30	0,48



• Maximum deflexion L/200 value is not exceeded in the indicated L (mm) size.

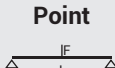
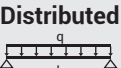
- Please indicate the order code in your orders.
- Please contact us for your orders with customized sizes.

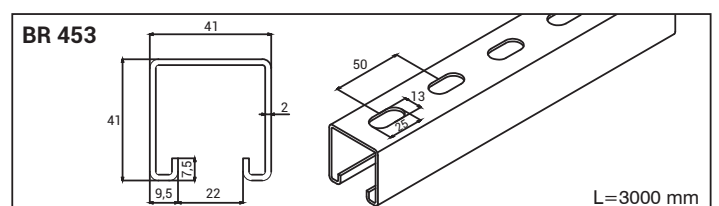
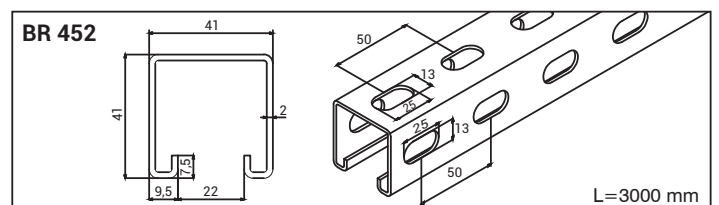
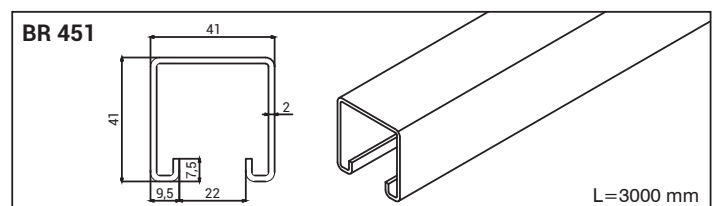
BINRAK STRUT CHANNEL



Product	Thickness T (mm)	Height H (mm)	Width W (mm)	Standard Length L (mm)	Hole Sizes (mm)	Pre-galvanized (TS EN 10346 - TS EN 10143)		Hot-Dip Galvanized (TS EN ISO 1461)	
						Weight (kg./m.)	Order Code	Weight (kg./m.)	Order Code
BR 451	2	41	41	3000	-	2,214	3005459	2,435	3005460
BR 452	2	41	41	3000	13X25	1,936	3005312	2,130	3005313
BR 453	2	41	41	3000	13X25	2,122	3006383	2,334	3006384

Product	X-X			Y-Y			
	Cross sectional area (cm ²)	Moment of Inertia I (cm ⁴)	Section Modulus S (cm ³)	Radius Of Gyration R (cm)	Moment of Inertia I (cm ⁴)	Section Modulus S (cm ³)	Radius Of Gyration R (cm)
BR 451 BR 452 BR 453	1,99	1,17	1,11	0,76	4,70	4,47	1,53

SAFE WORKING LOAD			
L (mm)	Deflexion (mm)	Point 	Distributed 
		F (kN)	F (kN)
500	2,50	1,10	1,76
750	3,75	0,80	1,28
1000	5,00	0,54	0,86
1250	6,25	0,36	0,57
1500	7,50	0,25	0,40
1750	8,75	0,17	0,27
2000	10,00	0,12	0,23
2250	11,25	0,10	0,16
2500	12,50	0,09	0,14
2750	13,75	0,08	0,12
3000	15,00	0,07	0,11



• Maximum deflexion L/200 value is not exceeded in the indicated L (mm) size.

- Please indicate the order code in your orders.
- Please contact us for your orders with customized sizes.

ELECTRO-MECHANICAL SUPPORT AND SUSPENSION SYSTEMS

BINRAK STRUT CHANNEL

BR 261A



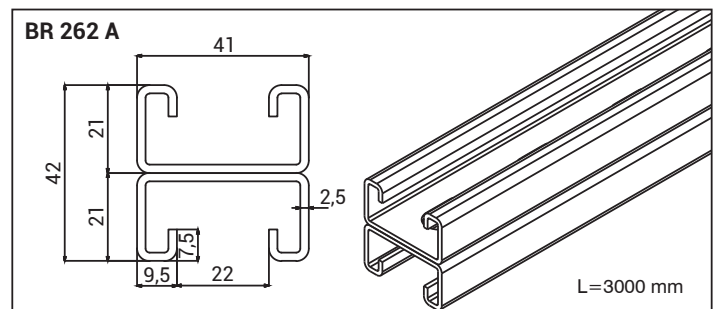
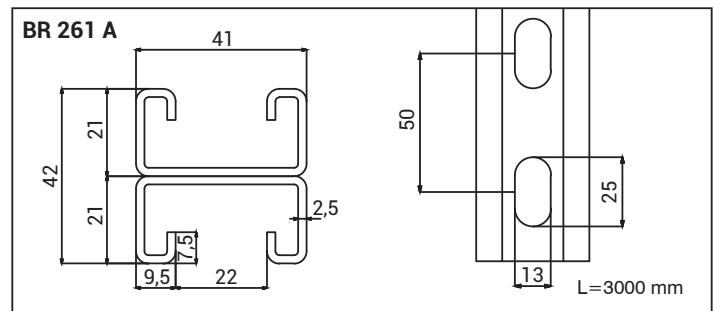
BR 262A



Product	Thickness T (mm)	Height H (mm)	Width W (mm)	Standard Length L (mm)	Hole Sizes (mm)	Hot-Dip Galvanized (TS EN ISO 1461)	
						Weight (kg./m.)	Order Code
BR 261A	2,5	21	41	3000	13X25	3,902	3000741
BR 262A	2,5	21	41	3000	-	4,153	3000738

Product	X-X			Y-Y			
	Cross sectional area (cm ²)	Moment of Inertia I (cm ⁴)	Section Modulus S (cm ³)	Radius Of Gyration R (cm)	Moment of Inertia I (cm ⁴)	Section Modulus S (cm ³)	Radius Of Gyration R (cm)
BR 261A-BR 262 A	4,81	6,34	3,01	1,14	11,09	5,28	1,51

SAFE WORKING LOAD			
L (mm)	Deflexion (mm)	Point	Distributed
		F (kN)	F (kN)
500	2,50	3,30	5,28
750	3,75	2,75	4,40
1000	5,00	2,20	3,52
1250	6,25	1,70	2,72
1500	7,50	1,30	2,08
1750	8,75	1,00	1,60
2000	10,00	0,80	1,28
2250	11,25	0,63	1,00
2500	12,50	0,50	0,80
2750	13,75	0,41	0,65
3000	15,00	0,35	0,56



• Maximum deflexion L/200 value is not exceeded in the indicated L (mm) size.

- Please indicate the order code in your orders.
- Please contact us for your orders with customized sizes.

ELECTRO-MECHANICAL SUPPORT AND SUSPENSION SYSTEMS

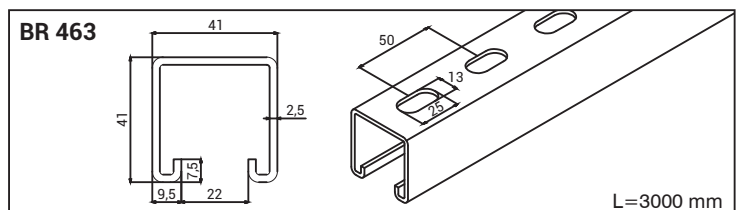
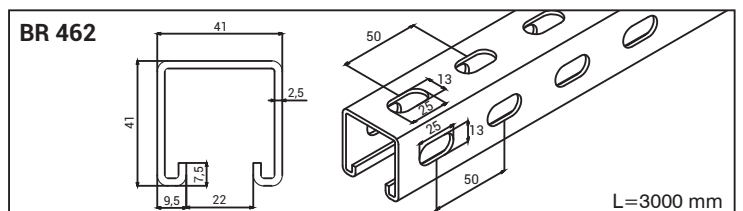
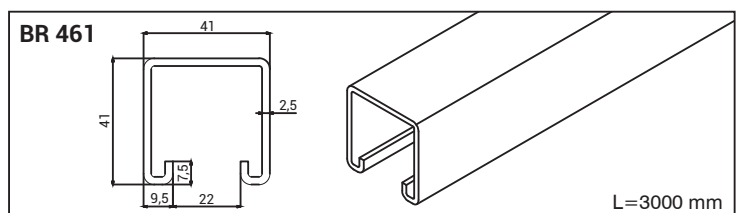
BINRAK STRUT CHANNEL



Product	Thickness T (mm)	Height H (mm)	Width W (mm)	Standard Length L (mm)	Hole Sizes (mm)	Pre-galvanized (TS EN 10346 - TS EN 10143)		Hot-Dip Galvanized (TS EN ISO 1461)	
						Weight (kg./m.)	Order Code	Weight (kg./m.)	Order Code
BR 461	2,5	41	41	3000	-	2,690	3005461	2,959	3005462
BR 462	2,5	41	41	3000	13X25	2,341	3005314	2,575	3005315
BR 463	2,5	41	41	3000	13X25	2,578	3006385	2,836	3006386

Product	X-X			Y-Y			
	Cross sectional area (cm ²)	Moment of Inertia I (cm ⁴)	Section Modulus S (cm ³)	Radius Of Gyration R (cm)	Moment of Inertia I (cm ⁴)	Section Modulus S (cm ³)	Radius Of Gyration R (cm)
BR 451 BR 452 BR 453	3,40	7,36	3,59	1,47	9,26	4,51	1,64

SAFE WORKING LOAD			
L (mm)	Deflexion (mm)	Point 	Distributed
		F (kN)	F (kN)
500	2,50	3,20	5,12
750	3,75	2,55	4,08
1000	5,00	2,00	3,20
1250	6,25	1,55	2,48
1500	7,50	1,20	1,92
1750	8,75	1,02	1,63
2000	10,00	0,90	1,44
2250	11,25	0,74	1,18
2500	12,50	0,60	0,96
2750	13,75	0,50	0,80
3000	15,00	0,40	0,64



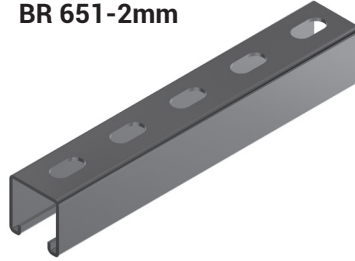
• Maximum deflexion L/200 value is not exceeded in the indicated L (mm) size.

- Please indicate the order code in your orders.
- Please contact us for your orders with customized sizes.

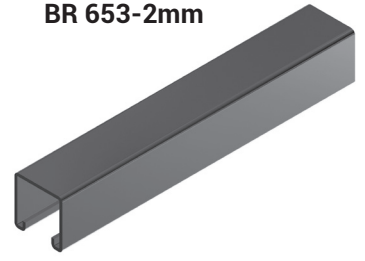
ELECTRO-MECHANICAL SUPPORT AND SUSPENSION SYSTEMS

BINRAK STRUT CHANNEL

BR 651-2mm



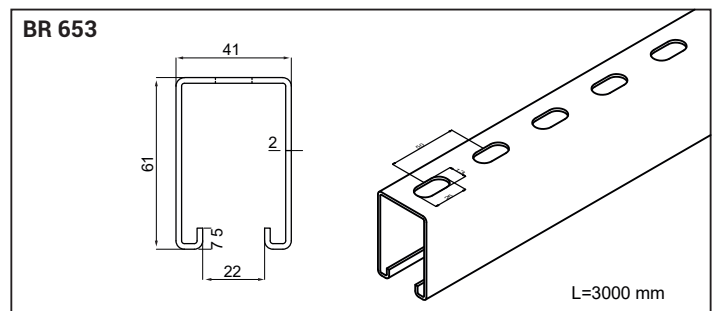
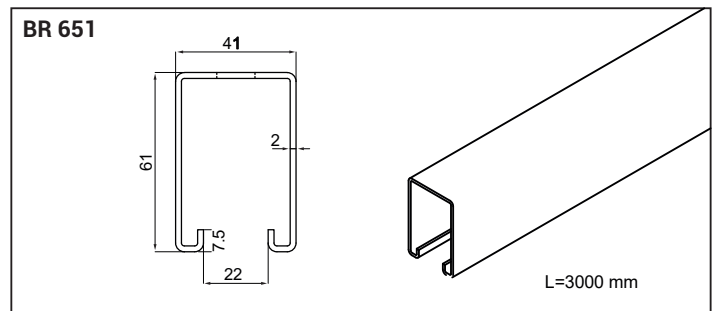
BR 653-2mm



Product	Thickness T (mm)	Height H (mm)	Width W (mm)	Standard Length L (mm)	Hole Sizes (mm)	Pre-galvanized (TS EN 10346 - TS EN 10143)		Hot-Dip Galvanized (TS EN ISO 1461)	
						Weight (kg./m.)	Order Code	Weight (kg./m.)	Order Code
BR 651	2	61	41	3000	-	2,779	3184140	3,057	3184117
BR 653	2	61	41	3000	13X25	2,668	3184138	2,957	3184124

Profile Cross-sectional Properties		X-X			Y-Y		
Product	Cross sectional area (cm ²)	Moment of Inertia I (cm ⁴)	Section Modulus S (cm ³)	Radius Of Gyration R (cm)	Moment of Inertia I (cm ⁴)	Section Modulus S (cm ³)	Radius Of Gyration R (cm)

SAFE WORKING LOAD			
L (mm)	Deflexion (mm)	Point	Distributed
		F (kN)	F (kN)
500	2,50	5,50	7,00
750	3,75	4,00	6,00
1000	5,00	3,00	5,50
1250	6,25	2,40	4,80
1500	7,50	2,00	4,00
1750	8,75	1,70	3,50
2000	10,00	1,50	3,00
2250	11,25	1,30	2,40
2500	12,50	1,10	2,00
2750	13,75	1,00	1,65
3000	15,00	0,80	1,50

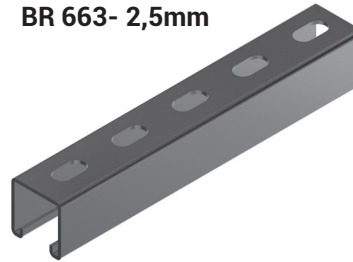


• Maximum deflexion L/200 value is not exceeded in the indicated L (mm) size.

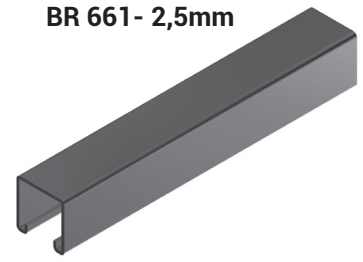
- Please indicate the order code in your orders.
- Please contact us for your orders with customized sizes.

BINRAK STRUT CHANNEL

BR 663- 2,5mm



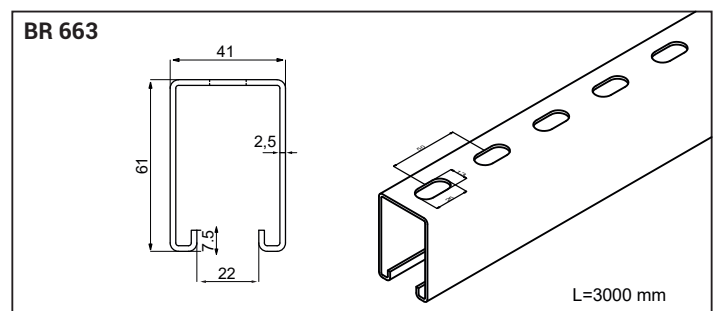
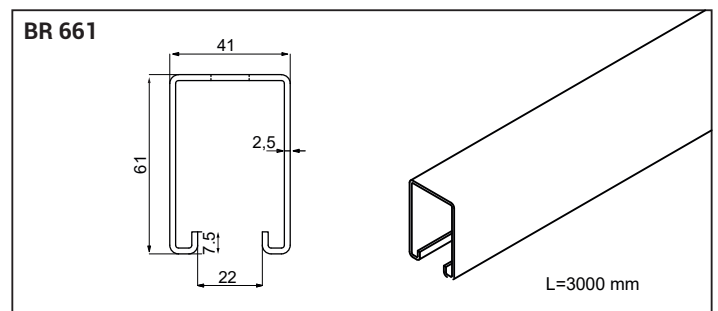
BR 661- 2,5mm



Product	Thickness T (mm)	Height H (mm)	Width W (mm)	Standard Length L (mm)	Hole Sizes (mm)	Pre-galvanized (TS EN 10346 - TS EN 10143)		Hot-Dip Galvanized (TS EN ISO 1461)	
						Weight (kg./m.)	Order Code	Weight (kg./m.)	Order Code
BR 661	2,5	61	41	3000	-	3,474	3174141	3,821	3184118
BR 663	2,5	61	41	3000	13X25	3,36	3184139	3,696	3184125

Profile Cross-sectional Properties		X-X			Y-Y		
Product	Cross sectional area (cm ²)	Moment of Inertia I (cm ⁴)	Section Modulus S (cm ³)	Radius Of Gyration R (cm)	Moment of Inertia I (cm ⁴)	Section Modulus S (cm ³)	Radius Of Gyration R (cm)
BR 661 - BR 663	4,43	20,21	6,12	1,71	12,96	6,32	2,14

SAFE WORKING LOAD			
L (mm)	Deflexion (mm)	Point	Distributed
		F (kN)	F (kN)
500	2,50	5,75	8,00
750	3,75	4,50	7,00
1000	5,00	3,60	6,50
1250	6,25	2,90	5,50
1500	7,50	2,40	4,80
1750	8,75	2,00	4,20
2000	10,00	1,80	3,50
2250	11,25	1,60	3,00
2500	12,50	1,50	2,50
2750	13,75	1,30	2,15
3000	15,00	1,10	1,80

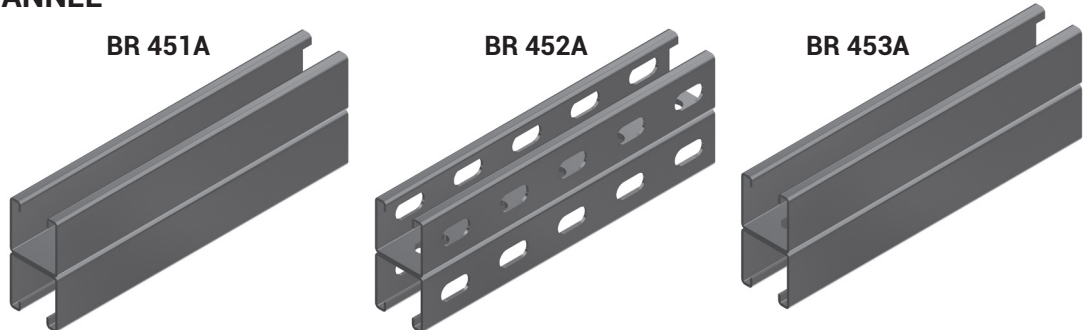


• Maximum deflexion L/200 value is not exceeded in the indicated L (mm) size.

- Please indicate the order code in your orders.
- Please contact us for your orders with customized sizes.

ELECTRO-MECHANICAL SUPPORT AND SUSPENSION SYSTEMS

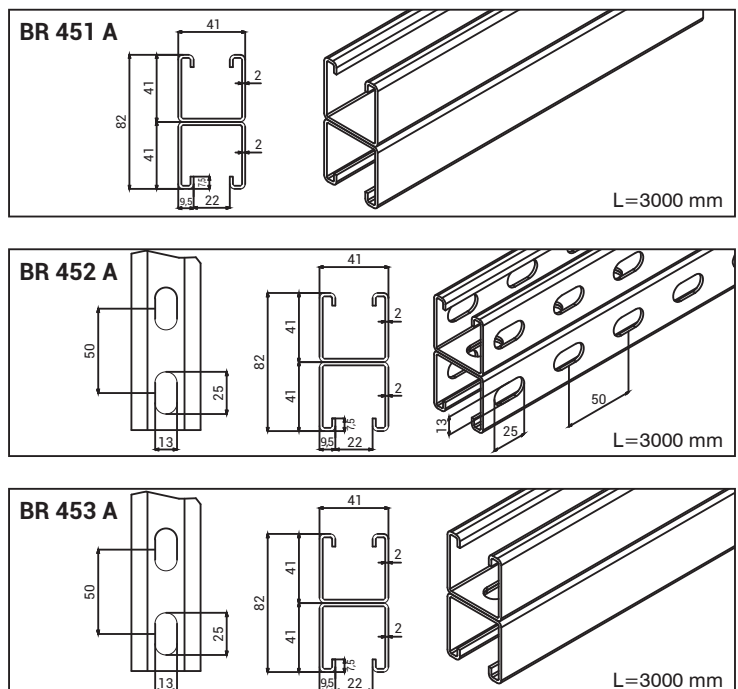
BINRAK STRUT CHANNEL



Product	Thickness T (mm)	Height H (mm)	Width W (mm)	Standard Length L (mm)	Hole Sizes (mm)	Hot-Dip Galvanized (TS EN ISO 1461)	
						Weight (kg./m.)	Order Code
BR 451 A	2	82	41	3000	-	4,901	3000219
BR 452 A	2	82	41	3000	13X25	4,259	3000223
BR 453 A	2	82	41	3000	13X25	4,668	3000221

Product	X-X			Y-Y			
	Cross sectional area (cm ²)	Moment of Inertia I (cm ⁴)	Section Modulus S (cm ³)	Radius Of Gyration R (cm)	Moment of Inertia I (cm ⁴)	Section Modulus S (cm ³)	Radius Of Gyration R (cm)
BR 451 A BR 452 A BR 453 A	5,60	31,53	7,69	2,37	15,49	3,77	1,66

SAFE WORKING LOAD			
L (mm)	Deflexion (mm)	Point IF (kN)	Distributed F (kN)
500	2,50	6,00	9,60
750	3,75	5,20	8,32
1000	5,00	4,40	7,04
1250	6,25	3,80	6,08
1500	7,50	3,30	5,28
1750	8,75	2,85	4,56
2000	10,00	2,50	4,00
2250	11,25	2,20	3,52
2500	12,50	1,90	3,04
2750	13,75	1,70	2,72
3000	15,00	1,50	2,40

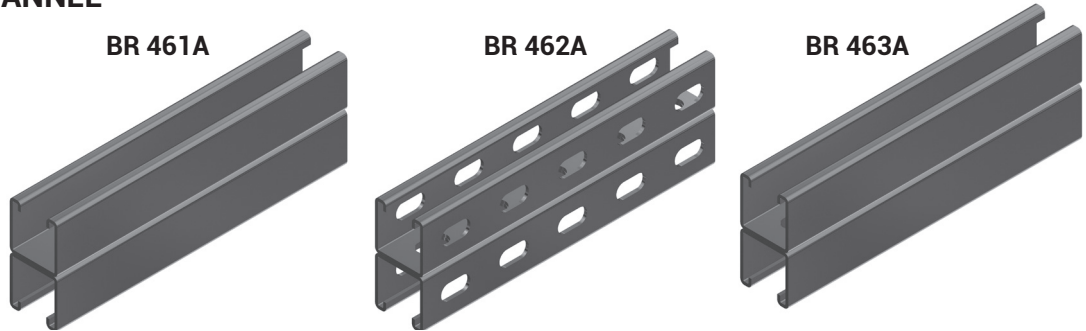


• Maximum deflexion L/200 value is not exceeded in the indicated L (mm) size.

- Please indicate the order code in your orders.
- Please contact us for your orders with customized sizes.

ELECTRO-MECHANICAL SUPPORT AND SUSPENSION SYSTEMS

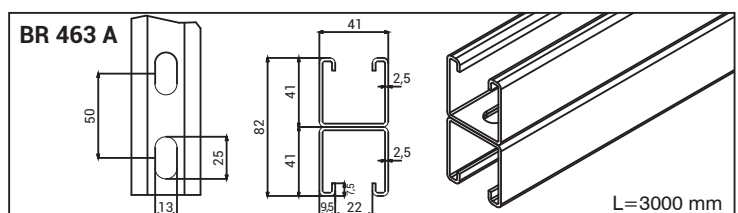
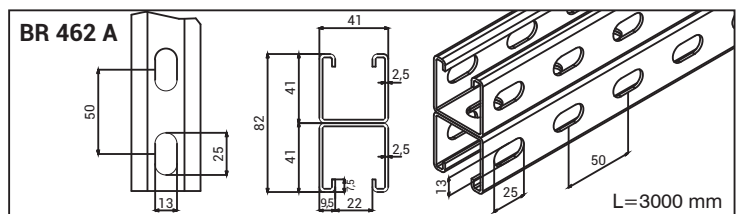
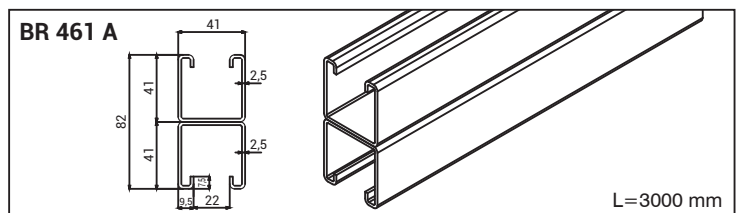
BINRAK STRUT CHANNEL



Product	Thickness T (mm)	Height H (mm)	Width W (mm)	Standard Length L (mm)	Hole Sizes (mm)	Hot-Dip Galvanized (TS EN ISO 1461)	
						Weight (kg./m.)	Order Code
BR 461 A	2,5	82	41	3000	-	6,01	3000220
BR 462 A	2,5	82	41	3000	13X25	5,15	3000224
BR 463 A	2,5	82	41	3000	13X25	5,672	3000222

Product	Profile Cross-sectional Properties			X-X			Y-Y	
	Cross sectional area (cm ²)	Moment of Inertia I (cm ⁴)	Section Modulus S (cm ³)	Radius Of Gyration R (cm)	Moment of Inertia I (cm ⁴)	Section Modulus S (cm ³)	Radius Of Gyration R (cm)	
BR 451 A BR 452 A BR 453 A	6,80	37,41	9,12	2,34	18,51	4,51	1,64	

SAFE WORKING LOAD			
L (mm)	Deflexion (mm)	Point	Distributed
		F (kN)	F (kN)
500	2,50	7,00	11,20
750	3,75	6,10	9,76
1000	5,00	5,20	8,32
1250	6,25	4,45	7,12
1500	7,50	3,80	6,08
1750	8,75	3,20	5,12
2000	10,00	2,80	4,48
2250	11,25	2,45	3,92
2500	12,50	2,20	3,52
2750	13,75	2,00	3,20
3000	15,00	1,80	2,88



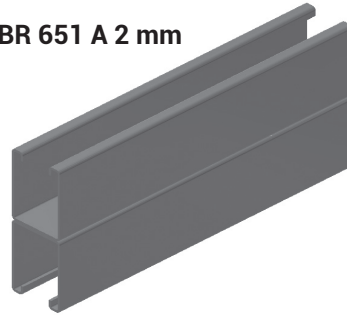
• Maximum deflexion L/200 value is not exceeded in the indicated L (mm) size.

- Please indicate the order code in your orders.
- Please contact us for your orders with customized sizes.

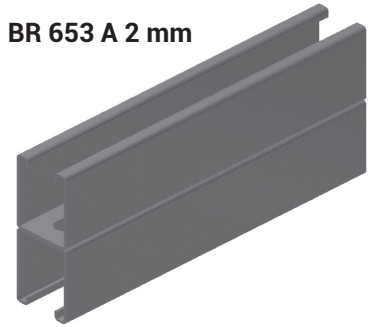
ELECTRO-MECHANICAL SUPPORT AND SUSPENSION SYSTEMS

BINRAK STRUT CHANNEL

BR 651 A 2 mm



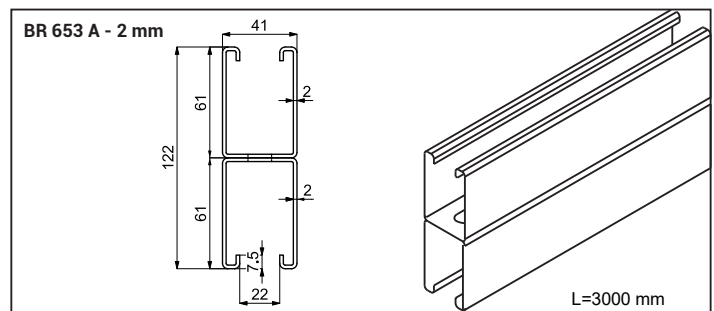
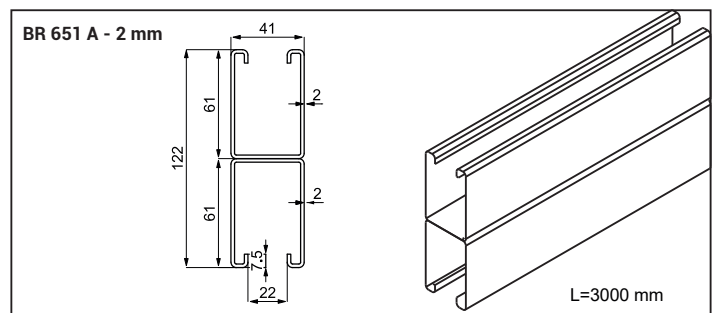
BR 653 A 2 mm



Product	Thickness T (mm)	Height H (mm)	Width W (mm)	Standard Length L (mm)	Hole Sizes (mm)	Hot-Dip Galvanized (TS EN ISO 1461)	
						Weight (kg./m.)	Order Code
BR 651A	2	122	41	3000	-	6,114	3184119
BR 653A	2	122	41	3000	13X25	5,914	3184121

Product	Profile Cross-sectional Properties						
	Cross sectional area (cm ²)	X-X			Y-Y		
		Moment of Inertia I (cm ⁴)	Section Modulus S (cm ³)	Radius Of Gyration R (cm)	Moment of Inertia I (cm ⁴)	Section Modulus S (cm ³)	Radius Of Gyration R (cm)
BR 651 A - BR 653 A	7,08	89,78	14,71	1,73	21,42	10,44	3,54

SAFE WORKING LOAD			
L (mm)	Deflexion (mm)	Point	Distributed
		F (kN)	F (kN)
500	2,50	12,00	15,00
750	3,75	9,00	13,50
1000	5,00	7,50	11,50
1250	6,25	6,50	10,00
1500	7,50	5,75	9,00
1750	8,75	5,00	8,00
2000	10,00	4,40	7,00
2250	11,25	3,90	6,20
2500	12,50	3,50	5,60
2750	13,75	3,00	4,80
3000	15,00	2,50	4,00



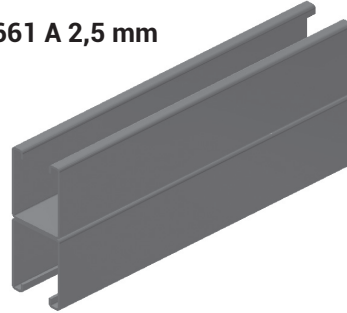
• Maximum deflexion L/200 value is not exceeded in the indicated L (mm) size.

- Please indicate the order code in your orders.
- Please contact us for your orders with customized sizes.

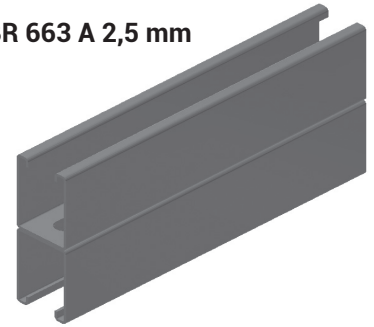
ELECTRO-MECHANICAL SUPPORT AND SUSPENSION SYSTEMS

BINRAK STRUT CHANNEL

BR 661 A 2,5 mm



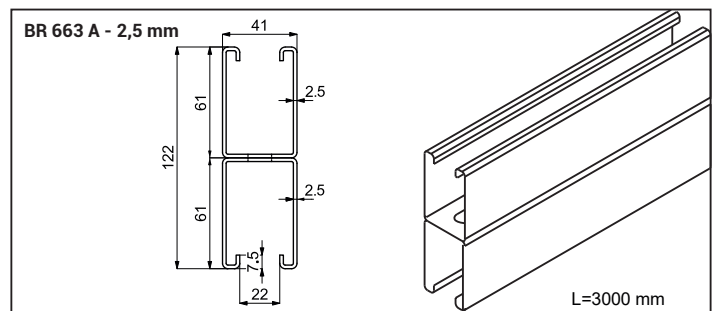
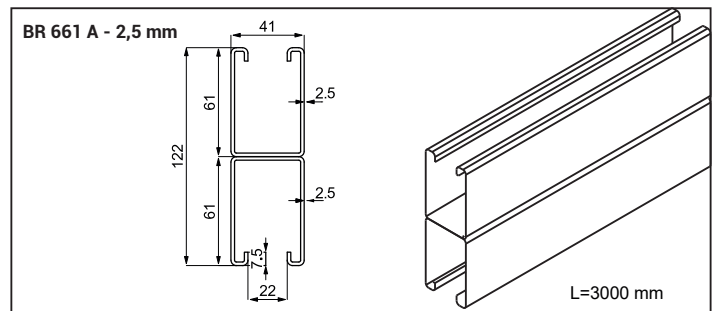
BR 663 A 2,5 mm



Product	Thickness T (mm)	Height H (mm)	Width W (mm)	Standard Length L (mm)	Hole Sizes (mm)	Hot-Dip Galvanized (TS EN ISO 1461)	
						Weight (kg./m.)	Order Code
BR 661A	2,5	122	41	3000	-	7,643	3184120
BR 663A	2,5	122	41	3000	13X25	7,392	3184122

Product	Profile Cross-sectional Properties						
	Cross sectional area (cm ²)	X-X			Y-Y		
		Moment of Inertia I (cm ⁴)	Section Modulus S (cm ³)	Radius Of Gyration R (cm)	Moment of Inertia I (cm ⁴)	Section Modulus S (cm ³)	Radius Of Gyration R (cm)
BR 661 A - BR 663 A	8,86	109,33	17,92	1,71	25,93	12,64	1,71

SAFE WORKING LOAD			
L (mm)	Deflexion (mm)	Point	Distributed
		F (kN)	F (kN)
500	2,50	14,00	17,00
750	3,75	10,50	16,00
1000	5,00	9,00	13,50
1250	6,25	8,00	12,00
1500	7,50	7,00	10,50
1750	8,75	6,00	9,50
2000	10,00	5,25	8,40
2250	11,25	4,75	7,40
2500	12,50	4,30	6,50
2750	13,75	3,90	5,50
3000	15,00	3,00	4,80

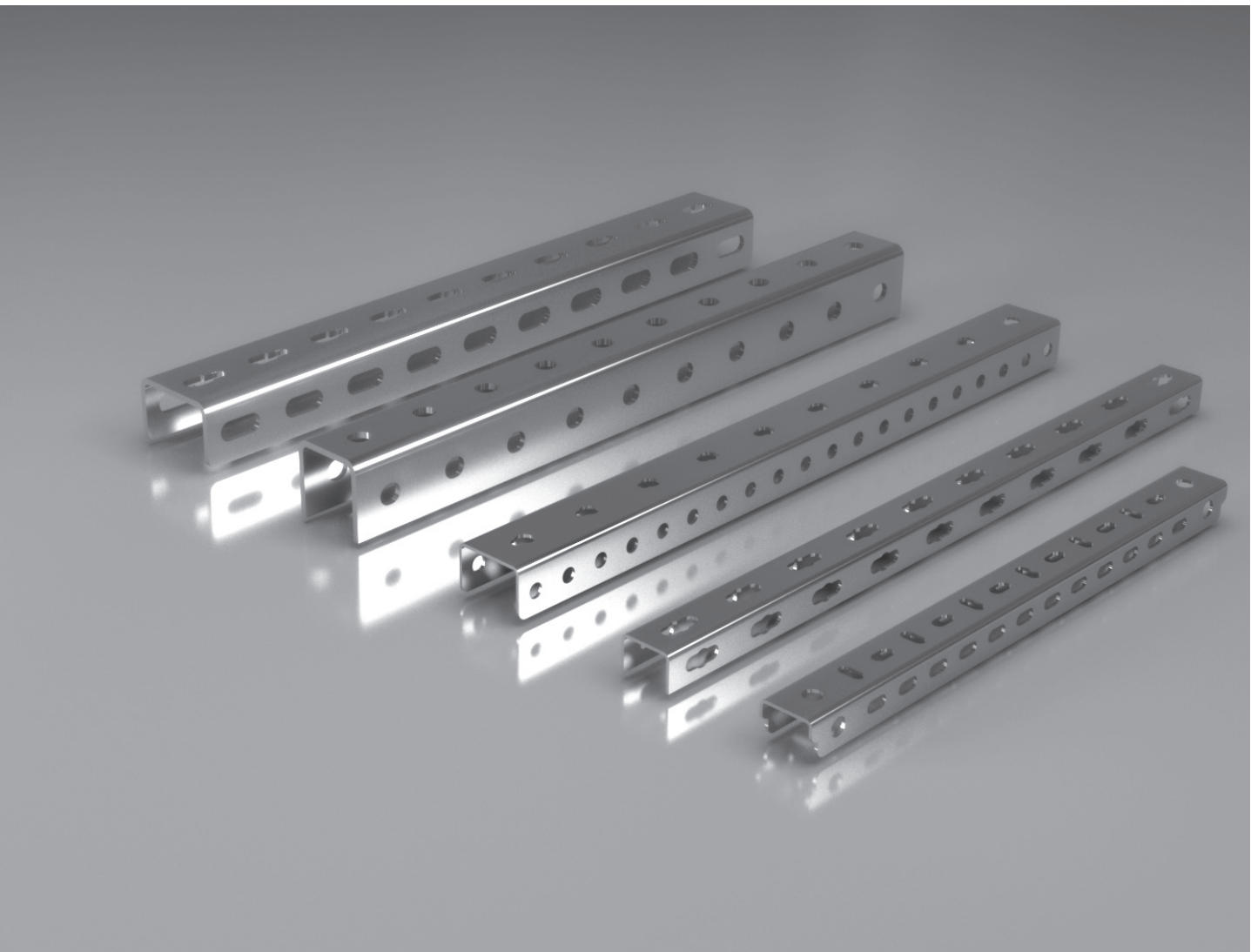


• Maximum deflexion L/200 value is not exceeded in the indicated L (mm) size.

- Please indicate the order code in your orders.
- Please contact us for your orders with customized sizes.



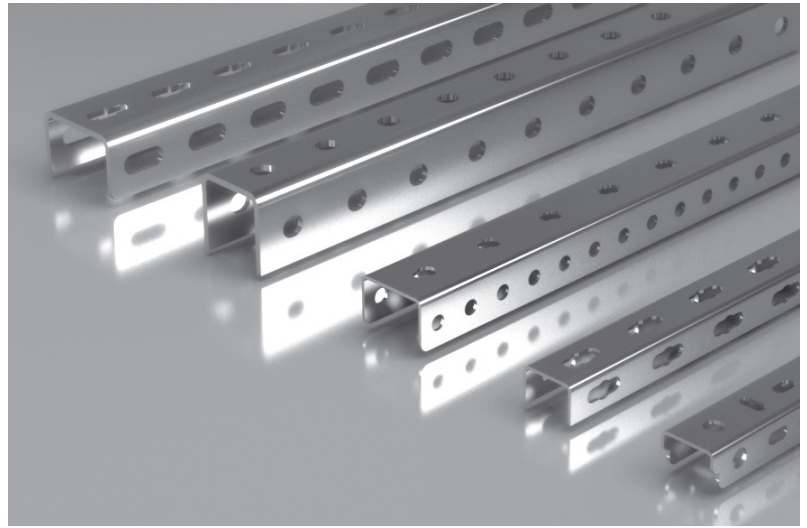
U-PROFILE SUPPORTS



ELECTRO-MECHANICAL SUPPORT AND SUSPENSION SYSTEMS

U PROFILE:

U-profile products are manufactured with production lines equipped with cutting-edge technology and in dimensions and axis requested for perforation, burr-free cutting in sizes and dimensions requested packaging specific to individuals and enterprises according to project details. Perforation can be done on these profiles that are designed in accordance with high automation and high capacity production lines on the entire spots requested by means of ability to load 3D drawings thereof.



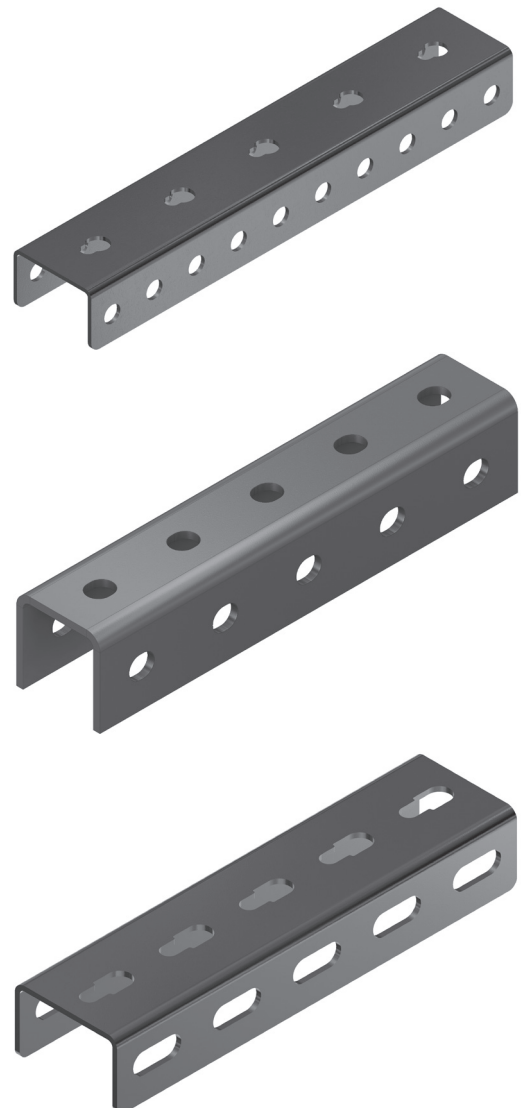
U-Profile

U-profiles can be used in the sectors of construction, heavy and light duty type steel construction systems, industrial construction and energy. U-Profiles are preferred as support or auxiliary elements in industrial buildings and steel buildings.

Coating and mechanical preferences can be done on materials convenient for special designed projects. Product selection can be done in based on the weight of the system to be supported or suspended in the project designs to be done. Furthermore, hot dipping galvanization process is applied to increase the resistance of the material against corrosion.

U-Profiles offer material and price advantage up to 40% due to their high bearing capacity as durability compared with structures manufactured by using heavy rolling mill profiles. In addition to this, U-Profiles has made steel construction structures faster, more reliable and economic due to their high production rate, short deadlines, delivery easiness and modular structure ensuring assembly facilitation.

U-Profiles ensure easy and quick assembly in electromechanical suspension systems without the need for welding process. As part severance and fractures do not occur in carrying systems of the structures, it is a more reliable and preferred system. Modular construction systems are the most convenient construction systems for earthquake-prone countries in particular and the countries located on regions of natural disasters. Besides, it has numerous benefits and advantages such as assembly facilitation, long-life due to hot dipping galvanization process and short workmanship time.



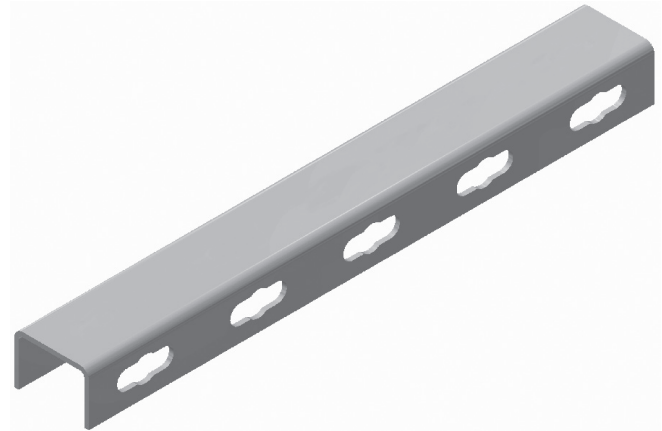
ELECTRO-MECHANICAL SUPPORT AND SUSPENSION SYSTEMS

U-PROFILE SUPPORTS

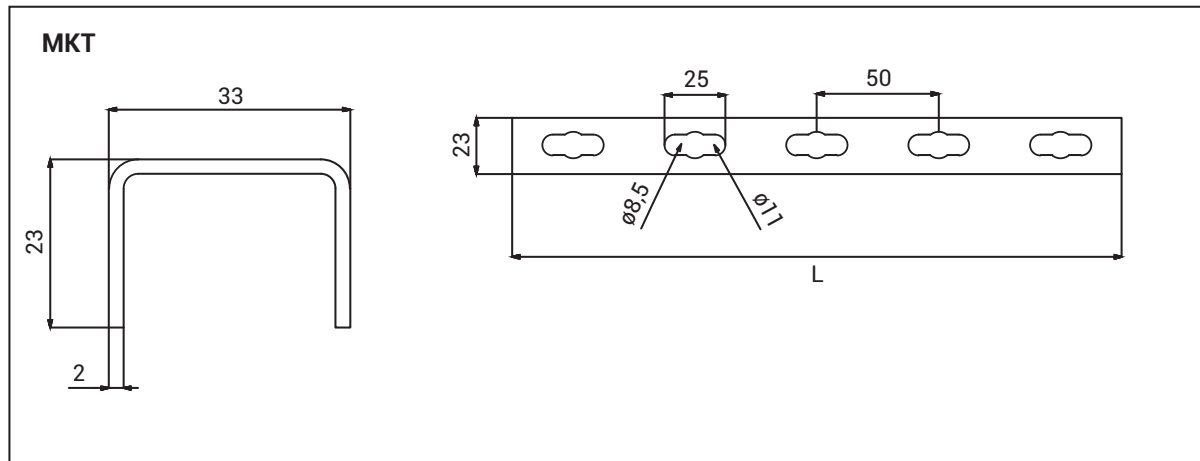
Stem Bar System Support

MKT

MKT



Product	Thickness T (mm)	Height H (mm)	Width W (mm)	Standard Length L (mm)	Hole Sizes (mm)	Pre-galvanized (TS EN 10346 - TS EN 10143)		Hot-Dip Galvanized (TS EN ISO 1461)	
						Weight (kg./m.)	Order Code	Weight (kg./m.)	Order Code
						MKT 1000	2	83	33
MKT 2000	2	83	33	2000	8,5x25 - 11x25	2,012	3110200	2,213	3004546



Profile Cross-sectional Properties		X-X			Y-Y		
Product	Cross sectional area (cm ²)	Moment of Inertia I (cm ⁴)	Section Modulus S (cm ³)	Radius Of Gyration R (cm)	Moment of Inertia I (cm ⁴)	Section Modulus S (cm ³)	Radius Of Gyration R (cm)
MKT	1,44	2,48	1,50	1,31	0,77	0,47	0,73

- Please indicate the order code in your orders.
- Please contact us for your orders with customized sizes.
- After being cut in desired sizes, the part, which is cut in accordance with the coating procedure, shall be coated with Zinga paint. (Please see: Page 132)

ELECTRO-MECHANICAL SUPPORT AND SUSPENSION SYSTEMS

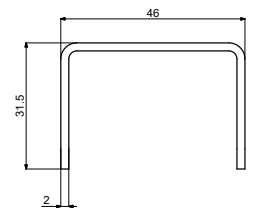
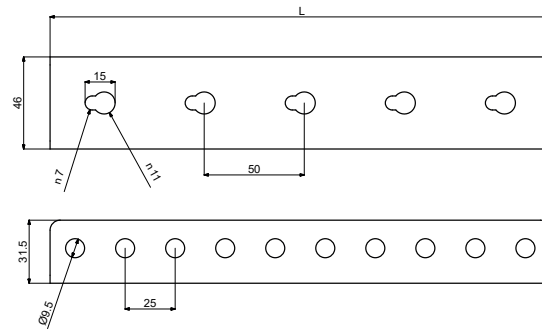
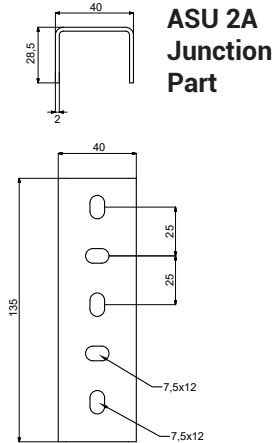
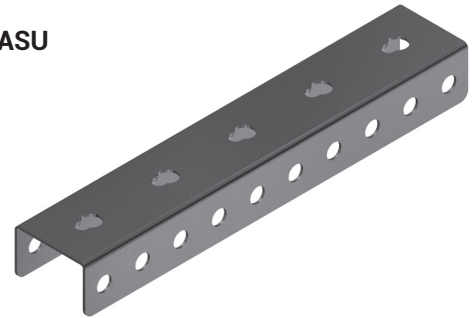
U-PROFILE SUPPORTS

Suspension Extension Profiles

ASU

Used as extension profile in electro-mechanical suspensions.

ASU



Product	Thickness T (mm)	Height H (mm)	Width W (mm)	Standard Length L (mm)	Hole Sizes (mm)	Pre-galvanized (TS EN 10346 - TS EN 10143)		Hot-Dip Galvanized (TS EN ISO 1461)	
						Weight (kg./m.)	Order Code	Weight (kg./m.)	Order Code
ASU 1,5A-4	1,5	31	46	1000	Ø9,5	1,103	3086455	1,213	3086459
ASU 1,5A-5	1,5	31	46	2000	Ø9,5	2,206	3086457	2,427	3086460
ASU 1,5A-6	1,5	31	46	3000	Ø9,5	3,309	3086458	3,640	3086461
ASU 2A-1	2	31,5	46	125	Ø9,5	0,200	3008588	0,220	3008589
ASU 2A-2	2	31,5	46	250	Ø9,5	0,367	3008586	0,404	3008587
ASU 2A-3	2	31,5	46	500	Ø9,5	0,738	3008584	0,812	3008585
ASU 2A-4	2	31,5	46	1000	Ø9,5	1,477	3008582	1,625	3008583
ASU 2A-5	2	31,5	46	2000	Ø9,5	2,953	3008167	3,248	3008168
ASU 2A-6	2	31,5	46	3000	Ø9,5	4,430	3008174	4,873	3008175
ASU 3A-4	3	32,5	48	1000	Ø9,5	-	-	2,455	3086433
ASU 3A-5	3	32,5	48	2000	Ø9,5	-	-	4,911	3086434
ASU 3A-6	3	32,5	48	3000	Ø9,5	-	-	7,365	3086435
ASU 2A-Birl. Elem.	2	28,5	40	135	7,5x12	0,173	3006640	0,269	3006641

Product	Profile Cross-sectional Properties				X-X			Y-Y		
	Cross sectional area (cm ²)	Moment of Inertia I (cm ⁴)	Section Modulus S (cm ³)	Radius Of Gyration R (cm)	Moment of Inertia I (cm ⁴)	Section Modulus S (cm ³)	Radius Of Gyration R (cm)	Moment of Inertia I (cm ⁴)	Section Modulus S (cm ³)	Radius Of Gyration R (cm)
ASU-1,5mm	1,54	1,54	0,99	1,00	5,45	3,52	1,87			
ASU-2mm	2,07	2,11	1,34	1,01	7,18	4,57	1,86			
ASU-3mm	2,15	2,33	1,44	1,04	8,13	5,02	1,94			

- Please indicate the order code in your orders.
- Please contact us for your orders with customized sizes.
- After being cut in desired sizes, the part, which is cut in accordance with the coating procedure, shall be coated with Zinga paint. (Please see: Page 132)

ELECTRO-MECHANICAL SUPPORT AND SUSPENSION SYSTEMS

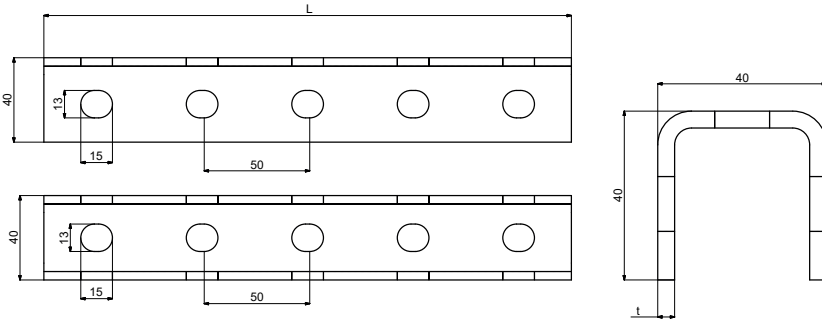
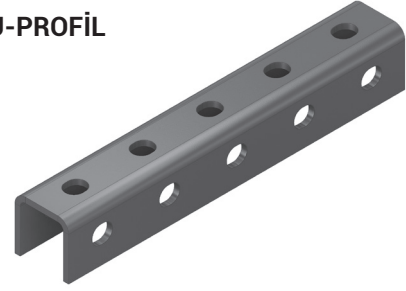
U-PROFILE SUPPORTS

Stem Bar System Support

U-PROFILE

Used for multi-purpose suspension, support and anchorage element.

U-PROFİL



Product	Thickness T (mm)	Height H (mm)	Width W (mm)	Standard Length L (mm)	Hole Sizes (mm)	Hot-Dip Galvanized (TS EN ISO 1461)	
						Weight (kg./m.)	Order Code
30x30x3	3	30	30	2000	13x15	3,658	3121911
30x30x4	4	30	30	2000	13x15	4,650	3121913
40x40x3	3	40	40	2000	13x15	5,211	3121914
40x40x4	4	40	40	1000	13x15	3,362	3086602
40x40x4	4	40	40	2000	13x15	6,723	3086603
40x40x4	4	40	40	3000	13x15	10,085	3086604
50x50x4	4	50	50	1000	13x15	4,398	3086608
50x50x4	4	50	50	2000	13x15	8,796	3086609
50x50x4	4	50	50	3000	13x15	13,193	3086610

Profile Cross-sectional Properties		X-X			Y-Y		
Product	Cross sectional area (cm ²)	Moment of Inertia I (cm ⁴)	Section Modulus S (cm ³)	Radius Of Gyration R (cm)	Moment of Inertia I (cm ⁴)	Section Modulus S (cm ³)	Radius Of Gyration R (cm)
30x30x3	2,49	2,25	1,5	0,95	3,57	2,38	1,19
30x30x4	3,22	2,82	1,88	0,93	4,32	2,88	1,15
40x40x3	3,39	5,59	2,79	1,28	9,09	4,54	1,63
40x40x4	4,27	6,81	3,41	1,26	10,74	5,37	1,58
50x50x4	5,47	13,96	5,58	1,59	22,47	8,99	2,02

- Please indicate the order code in your orders.
- After being cut in desired sizes, the part, which is cut in accordance with the coating procedure, shall be coated with Zinga paint. (Please see: Page 132)
- Please contact us for your orders with customized sizes.

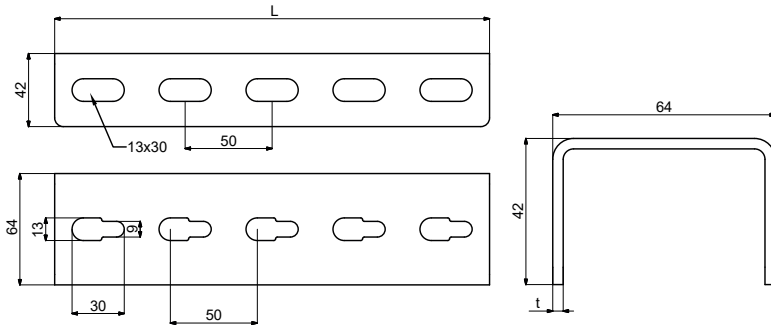
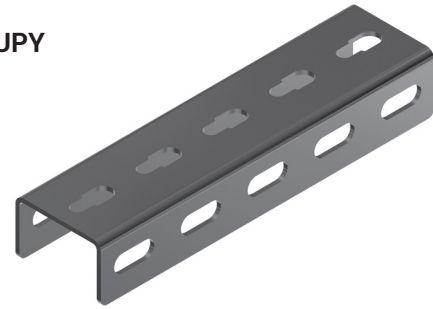
ELECTRO-MECHANICAL SUPPORT AND SUSPENSION SYSTEMS

U-PROFILE SUPPORTS

Heavy-duty Type Supports

UPY

UPY



Product	Thickness T (mm)	Height H (mm)	Width W (mm)	Standard Length L (mm)	Hole Sizes (mm)	Hot-Dip Galvanized (TS EN ISO 1461)			
						T = 3mm		T = 4mm	
						Weight (kg./m.)	Order Code	Weight (kg./m.)	Order Code
UPY 150	42	64	150	13x30	Ø9,5	0,451	3004419	0,586	3004486
UPY 300	42	64	300	13x30	Ø9,5	0,902	3004420	1,172	3004487
UPY 400	42	64	400	13x30	Ø9,5	1,203	3004422	1,562	3004489
UPY 500	42	64	500	13x30	Ø9,5	1,507	3004424	1,956	3004491
UPY 600	42	64	600	13x30	Ø9,5	1,804	3004426	2,343	3004493
UPY 700	42	64	700	13x30	Ø9,5	2,112	3004428	2,728	3004495
UPY 800	42	64	800	13x30	Ø9,5	2,398	3004429	3,124	3004496
UPY 900	42	64	900	13x30	Ø9,5	2,695	3004430	3,515	3004497
UPY 1000	42	64	1000	13x30	Ø9,5	3,037	3004431	3,945	3004498
UPY 1100	42	64	1100	13x30	Ø9,5	3,307	3004432	4,296	3004499
UPY 1200	42	64	1200	13x30	Ø9,5	3,608	3004433	4,686	3004500
UPY 1300	42	64	1300	13x30	Ø9,5	3,905	3004434	5,071	3004501
UPY 1400	42	64	1400	13x30	7,5x12	4,202	3004435	5,467	3004502
UPY 1500	42	64	1500	13x30	Ø9,5	4,555	3004436	5,917	3004503
UPY 1600	42	64	1600	13x30	Ø9,5	4,818	3004437	6,248	3004504
UPY 1700	42	64	1700	13x30	Ø9,5	5,115	3004438	6,633	3004505
UPY 1800	42	64	1800	13x30	Ø9,5	5,412	3004439	7,029	3004506
UPY 1900	42	64	1900	13x30	Ø9,5	5,712	3004440	7,414	3004507
UPY 2000	42	64	2000	13x30	Ø9,5	6,012	3004441	7,811	3004508
UPY 3000	42	64	3000	13x30	Ø9,5	9,020	3001953	11,716	3001954

Profile Cross-sectional Properties		X-X			Y-Y		
Product	Cross sectional area (cm ²)	Moment of Inertia I (cm ⁴)	Section Modulus S (cm ³)	Radius Of Gyration R (cm)	Moment of Inertia I (cm ⁴)	Section Modulus S (cm ³)	Radius Of Gyration R (cm)
UPY-3mm	4,14	7,44	3,54	1,34	27,19	12,95	2,56
UPY-4mm	5,39	9,48	4,51	1,32	34,13	16,25	2,51

- Please indicate the order code in your orders.
- Please contact us for your orders with customized sizes.
- After being cut in desired sizes, the part, which is cut in accordance with the coating procedure, shall be coated with Zinga paint. (Please see: Page 132)

ELECTRO-MECHANICAL SUPPORT AND SUSPENSION SYSTEMS

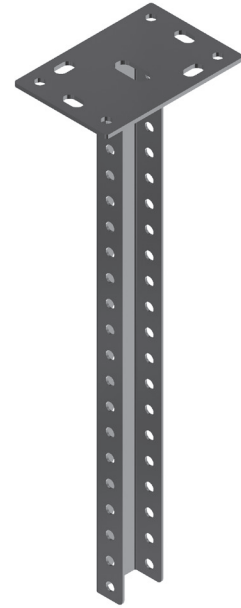
U-PROFILE SUPPORTS

Ceiling Assembly Parts

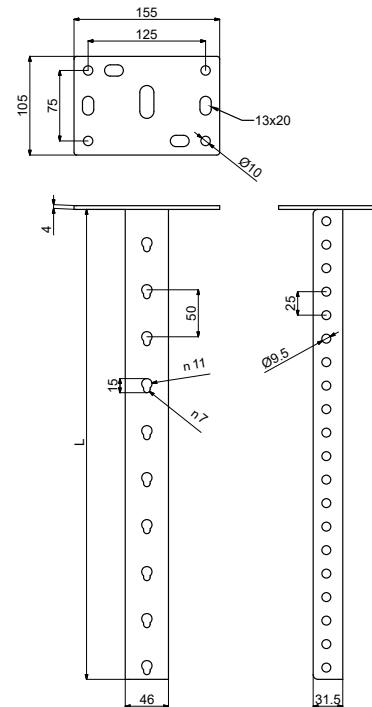
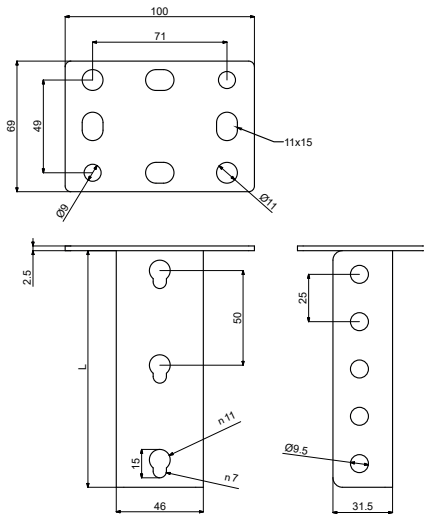
TMP

Used as ceiling assembly part in electro-mechanical installation suspensions.

TMP 45 - 45




TMP 41 - 42 - 43



Product	Thickness T (mm)	Ceiling Hood T (mm)	Standard Length L (mm)	Hot-Dip Galvanized (TS EN ISO 1461)	
				Weight (kg./m.)	Order Code
TMP41 Ceiling Assembly Parts	2	2,5	125	0,318	3008232
TMP42 Ceiling Assembly Parts	2	2,5	250	0,487	3008233
TMP43 Ceiling Assembly Parts	2	2,5	500	0,856	3008234
TMP44 Ceiling Assembly Parts	2	4	1000	1,936	3008235
TMP45 Tavan Montaj Elemanı	2	4	2000	3,413	3007952

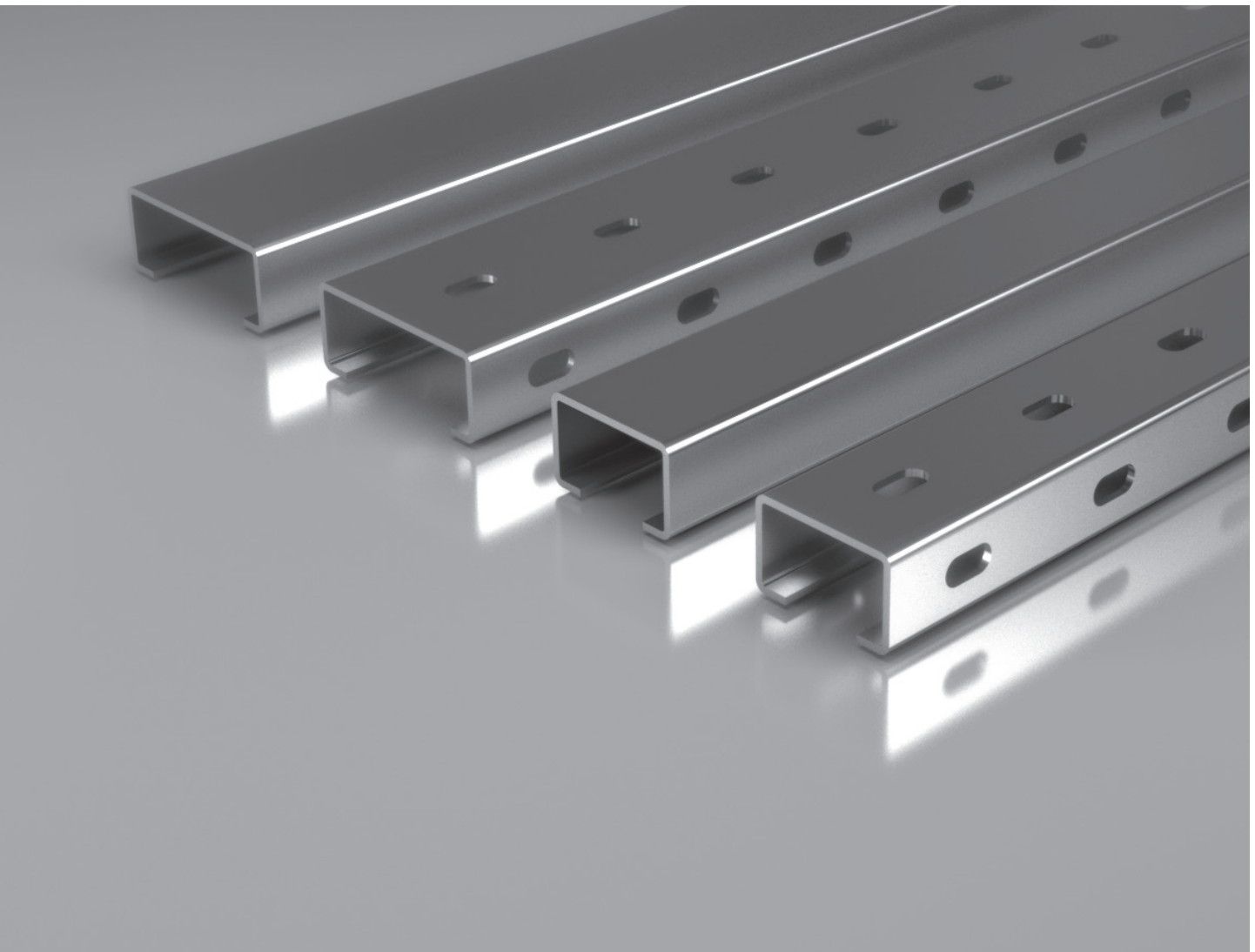
- Please indicate the order code in your orders.
- After being cut in desired sizes, the part, which is cut in accordance with the coating procedure, shall be coated with Zinga paint. (Please see: Page 132)
- Please contact us for your orders with customized sizes.

Component List	Item	Component	Quantity
<p>Company : Project : Project No : Name : Date : Signature : Prepared by</p> 			

Please duplicate this page for your own use.



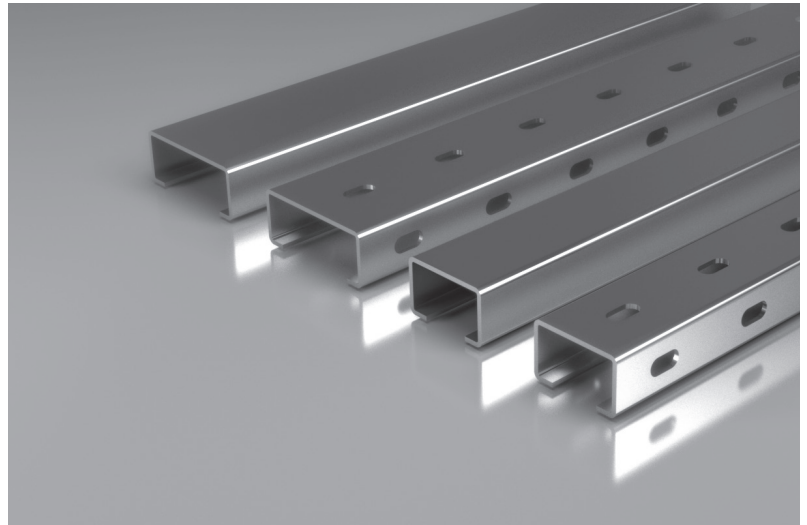
C-PROFILE SUPPORTS



ELECTRO-MECHANICAL SUPPORT AND SUSPENSION SYSTEMS

C PROFİL

C-profiles are manufactured with production lines equipped with cutting-edge technology and in dimensions and axis requested for perforation, burr-free cutting in sizes and dimensions requested packaging specific to individuals and enterprises according to project details. Perforation can be done on these profiles that are designed in accordance with high automation and high capacity production lines on the entire spots requested by means of ability to load 3D drawings thereof.



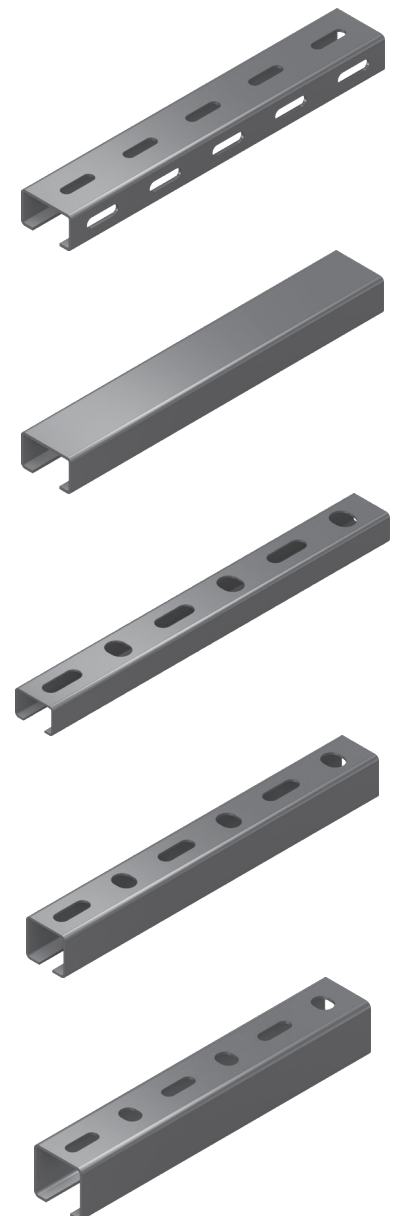
C PROFİL

C-profiles can be used in the sectors of construction, heavy and light duty type steel construction systems, industrial construction and energy. C-Profiles are preferred as support or auxiliary elements in industrial buildings and steel buildings.

Coating and mechanical preferences can be done on materials convenient for special designed projects. Product selection can be done in based on the weight of the system to be supported or suspended in the project designs to be done. Furthermore, hot dipping galvanize process is applied to increase the resistance of the material against corrosion.

C-Profiles offer material and price advantage up to 40% due to their high bearing capacity as durability compared with structures manufactured by using heavy rolling mill profiles. In addition to this, C-Profiles has made steel construction structures faster, more reliable and economic due to their high production rate, short deadlines, delivery easiness and modular structure ensuring assembly facilitation.

C-Profiles ensure easy and quick assembly in electromechanical suspension systems without the need for welding process. As part severance and fractures do not occur in carrying systems of the structures, it is a more reliable and preferred system. Modular construction systems are the most convenient construction systems for earthquake-prone countries in particular and the countries located on regions of natural disasters. Besides, it has numerous benefits and advantages such as assembly facilitation, long-life due to hot dipping galvanize process and short workmanship time.



ELECTRO-MECHANICAL SUPPORT AND SUSPENSION SYSTEMS

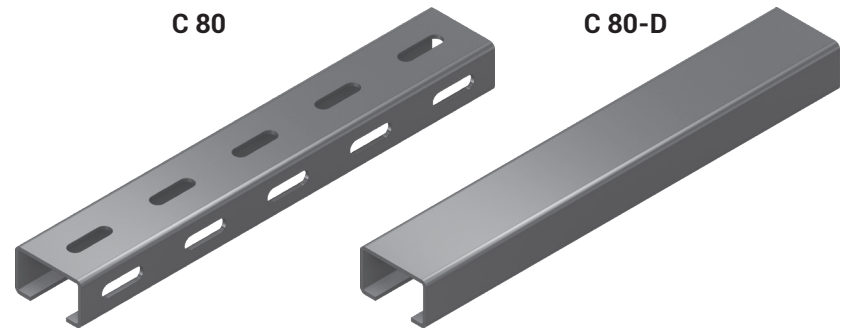
C-PROFILE SUPPORTS

Tray Supports For Threaded Rods

C 80 - C 80-D

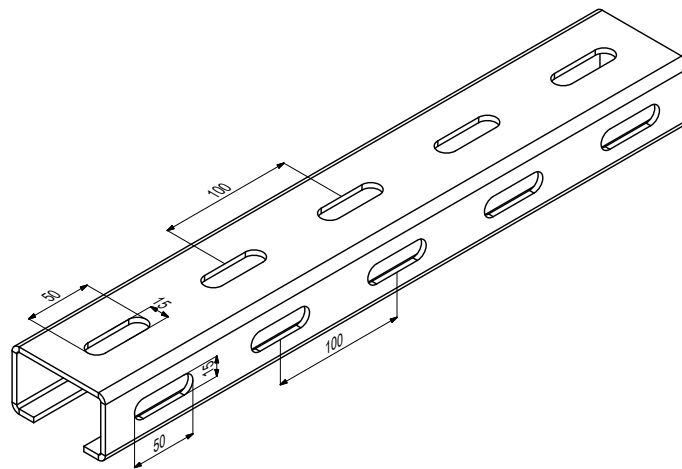
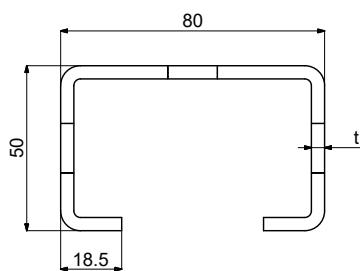
Used as multi-purpose suspension, support and anchorage elements.

Used for the suspension of electro-mechanical installations.



Product	Height H (mm)	Width W (mm)	Standard Length L (mm)	Hole Sizes (mm)	Hot-Dip Galvanized (TS EN ISO 1461)			Order Code
					Weight (kg./m.)			
					T (2 mm)	T (3 mm)	T (4 mm)	
C80	50	80	3000	15x50	2,989	4,483	5,977	3121535
C80-D	50	80	3000	-	3,353	5,029	6,706	3121540

C 80 - C 80-D



Profile Cross-sectional Properties			X-X			Y-Y		
Product	Thickness (mm)	Cross sectional area (cm ²)	Moment of Inertia I (cm ⁴)	Section Modulus S (cm ³)	Radius Of Gyration R (cm)	Moment of Inertia I (cm ⁴)	Section Modulus S (cm ³)	Radius Of Gyration R (cm)
C 80	2	4,18	15,71	6,28	1,93	43,73	17,49	3,23
C 80	3	6,16	22,17	8,87	1,89	62,76	25,10	3,19
C 80	4	8,04	27,81	11,12	1,85	80,04	32,02	3,15

- Please indicate the order code in your orders.
- Please contact us for your orders with customized sizes.

- After being cut in desired sizes, the part, which is cut in accordance with the coating procedure, shall be coated with Zinga paint. (Please see: Page 132)

ELECTRO-MECHANICAL SUPPORT AND SUSPENSION SYSTEMS

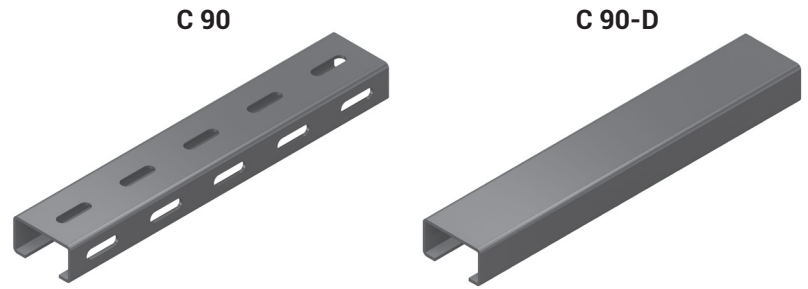
C-PROFILE SUPPORTS

Tray Supports For Threaded Rods

C 90 - C 90-D

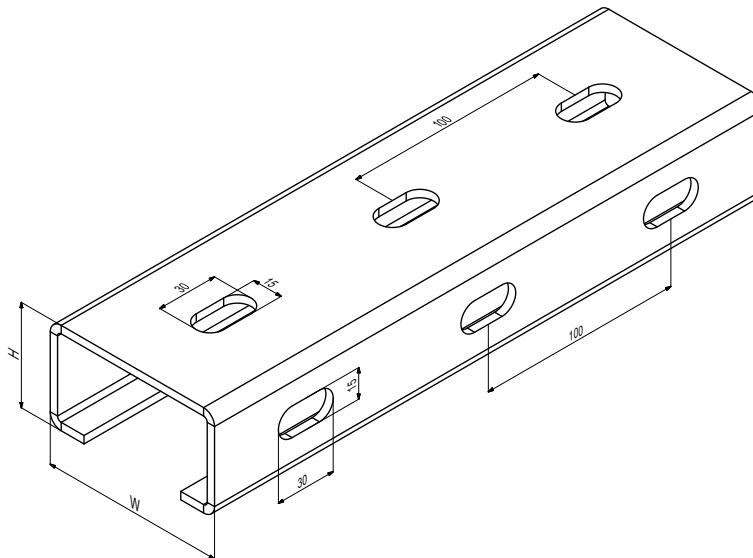
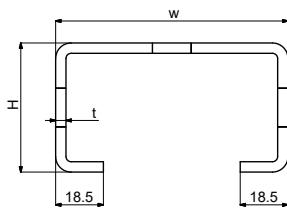
Used as multi-purpose suspension, support and anchorage elements.

Used for the suspension of electro-mechanical installations.



Product	Height H (mm)	Width W (mm)	Standard Length L (mm)	Hole Sizes (mm)	Hot-Dip Galvanized (TS EN ISO 1461)			Order Code
					Weight (kg./m.)			
					T (2 mm)	T (3 mm)	T (4 mm)	
C90	50	90	3000	15x50	3,161	4,742	6,323	3121536
C90-D	50	90	3000	-	3,526	5,288	7,051	3121542

C 90 - C 90-D



Profile Cross-sectional Properties			X-X			Y-Y		
Product	Thickness (mm)	Cross sectional area (cm ²)	Moment of Inertia I (cm ⁴)	Section Modulus S (cm ³)	Radius Of Gyration R (cm)	Moment of Inertia I (cm ⁴)	Section Modulus S (cm ³)	Radius Of Gyration R (cm)
C 90	2	4,38	16,4	6,56	1,93	57,44	22,98	3,62
C 90	3	6,45	23,16	9,26	1,89	82,7	33,08	3,58
C 90	4	8,44	29,06	11,62	1,85	105,8	42,32	3,54

- Please indicate the order code in your orders.
- Please contact us for your orders with customized sizes.

- After being cut in desired sizes, the part, which is cut in accordance with the coating procedure, shall be coated with Zinga paint. (Please see: Page 132)

ELECTRO-MECHANICAL SUPPORT AND SUSPENSION SYSTEMS

C-PROFILE SUPPORTS

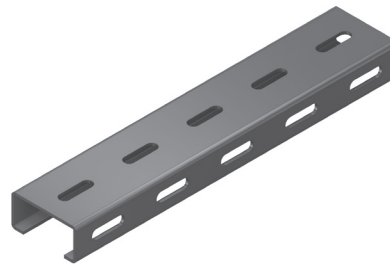
Tray Supports For Threaded Rods

C 100 - C 100-D

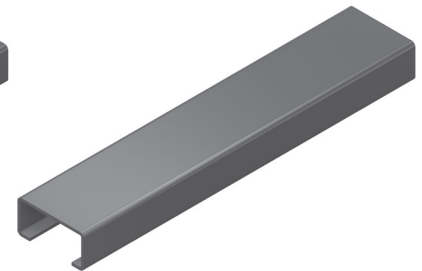
Used as multi-purpose suspension, support and anchorage elements.

Used for the suspension of electro-mechanical installations.

C 100

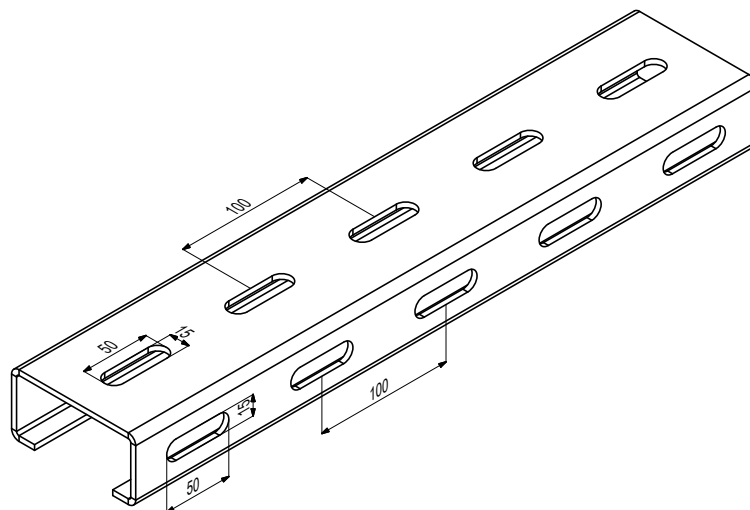
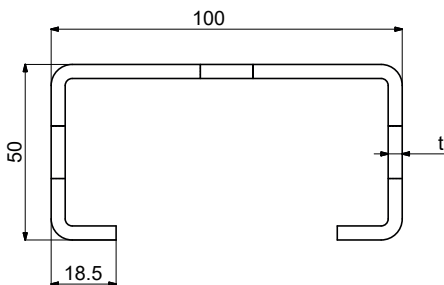


C 100-D



Product	Height H (mm)	Width W (mm)	Standard Length L (mm)	Hole Sizes (mm)	Hot-Dip Galvanized (TS EN ISO 1461)			Order Code
					Weight (kg./m.)			
					T (2 mm)	T (3 mm)	T (4 mm)	
C100	50	100	3000	15x50	3,334	5,001	6,668	3121537
C100-D	50	100	3000	-	3,698	5,547	7,396	3121543

C 100 - C 100-D



Profile Cross-sectional Properties			X-X			Y-Y		
Product	Thickness (mm)	Cross sectional area (cm ²)	Moment of Inertia I (cm ⁴)	Section Modulus S (cm ³)	Radius Of Gyration R (cm)	Moment of Inertia I (cm ⁴)	Section Modulus S (cm ³)	Radius Of Gyration R (cm)
C 100	2	4,58	17,03	6,81	1,92	73,35	29,34	4,00
C 100	3	6,75	24,06	9,62	1,88	105,86	42,34	3,96
C 100	4	8,84	30,2	12,08	1,84	135,79	54,32	3,91

- Please indicate the order code in your orders.
- Please contact us for your orders with customized sizes.

- After being cut in desired sizes, the part, which is cut in accordance with the coating procedure, shall be coated with Zinga paint. (Please see: Page 132)

ELECTRO-MECHANICAL SUPPORT AND SUSPENSION SYSTEMS

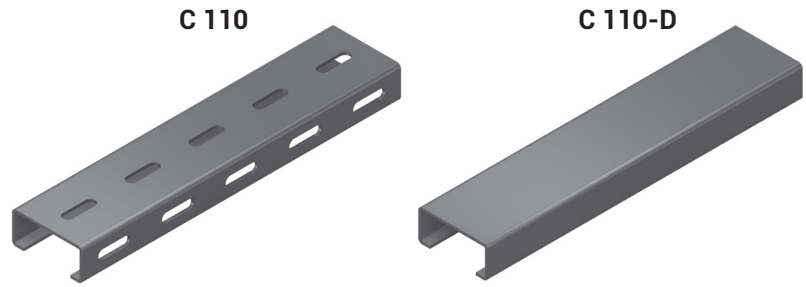
C-PROFILE SUPPORTS

Tray Supports For Threaded Rods

C 110 - C 110-D

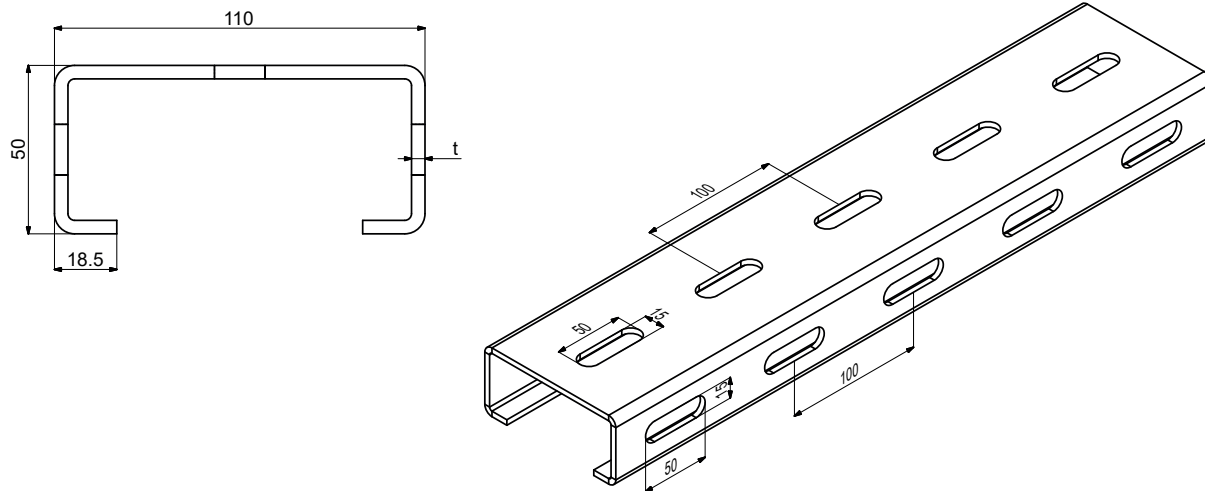
Used as multi-purpose suspension, support and anchorage elements.

Used for the suspension of electro-mechanical installations.



Product	Height H (mm)	Width W (mm)	Standard Length L (mm)	Hole Sizes (mm)	Hot-Dip Galvanized (TS EN ISO 1461)			
					Weight (kg./m.)			Order Code
					T (2 mm)	T (3 mm)	T (4 mm)	
C110	50	110	3000	15x50	3,507	5,260	7,014	3121538
C110-D	50	110	3000	-	3,871	5,806	7,742	3127314

C 110 - C 110-D



Profile Cross-sectional Properties			X-X			Y-Y		
Product	Thickness (mm)	Cross sectional area (cm ²)	Moment of Inertia I (cm ⁴)	Section Modulus S (cm ³)	Radius Of Gyration R (cm)	Moment of Inertia I (cm ⁴)	Section Modulus S (cm ³)	Radius Of Gyration R (cm)
C 110	2	4,78	17,62	7,05	1,92	91,54	36,62	4,37
C 110	3	7,05	24,88	9,95	1,87	132,4	52,96	4,33
C 110	4	9,24	31,24	12,50	1,83	170,19	68,08	4,29

- Please indicate the order code in your orders.
- Please contact us for your orders with customized sizes.

- After being cut in desired sizes, the part, which is cut in accordance with the coating procedure, shall be coated with Zinga paint. (Please see: Page 132)

ELECTRO-MECHANICAL SUPPORT AND SUSPENSION SYSTEMS

C-PROFILE SUPPORTS

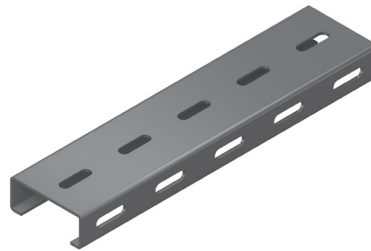
Tray Supports For Threaded Rods

C 120 - C 100-D

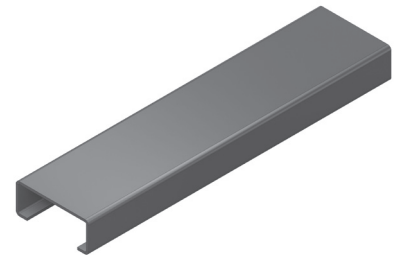
Used as multi-purpose suspension, support and anchorage elements.

Used for the suspension of electro-mechanical installations.

C 120

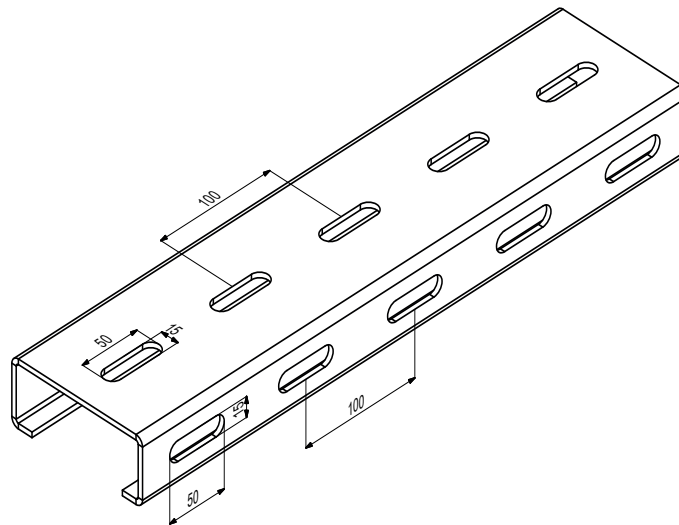
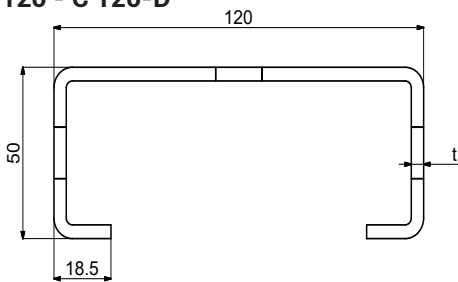


C 120-D



Product	Height H (mm)	Width W (mm)	Standard Length L (mm)	Hole Sizes (mm)	Hot-Dip Galvanized (TS EN ISO 1461)			Order Code
					Weight (kg./m.)			
					T (2 mm)	T (3 mm)	T (4 mm)	
C120	50	120	3000	15x50	3,680	5,519	7,359	3121539
C120-D	50	120	3000	-	4,044	6,065	8,087	3121544

C 120 - C 120-D



Profile Cross-sectional Properties			X-X			Y-Y		
Product	Thickness (mm)	Cross sectional area (cm ²)	Moment of Inertia I (cm ⁴)	Section Modulus S (cm ³)	Radius Of Gyration R (cm)	Moment of Inertia I (cm ⁴)	Section Modulus S (cm ³)	Radius Of Gyration R (cm)
C 120	2	4,98	18,15	7,26	1,90	112,12	44,85	4,74
C 120	3	7,35	25,64	10,26	1,86	162,47	64,99	4,70
C 120	4	9,64	32,19	12,88	1,82	209,21	83,68	4,65

- Please indicate the order code in your orders.
- Please contact us for your orders with customized sizes.

- After being cut in desired sizes, the part, which is cut in accordance with the coating procedure, shall be coated with Zinga paint. (Please see: Page 132)

ELECTRO-MECHANICAL SUPPORT AND SUSPENSION SYSTEMS

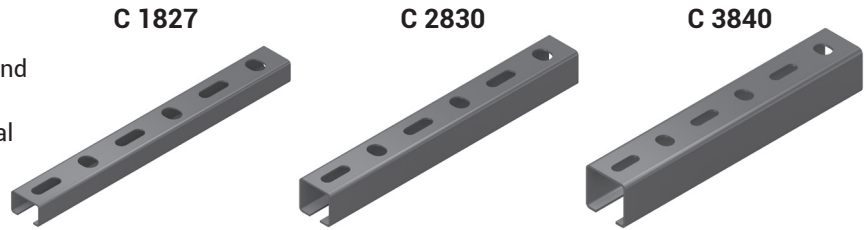
C-PROFILE SUPPORTS

Tray Supports For Threaded Rods

C 1827 - C 2830 - C 3840

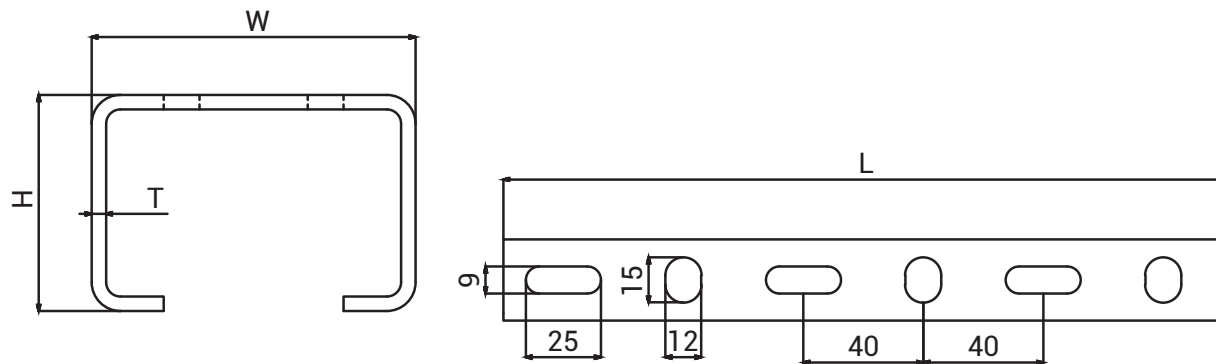
Used as multi-purpose suspension, support and anchorage elements.

Used for the suspension of electro-mechanical installations.



Product	Thickness T (mm)	Height H (mm)	Width W (mm)	Standard Length L (mm)	Hole Sizes (mm)		Pre-galvanized (TS EN 10346 - TS EN 10143)	
							Weight (kg./m.)	Order Code
C1827	1,2	18	27	2000	9x25	12x15	0,590	1019651
C2830	1,5	28	30	2000	9x25	12x15	1,032	1019653
C3840	2	38	40	2000	9x25	12x15	1,858	1019654

C 1827 - C 2830 - C 3840



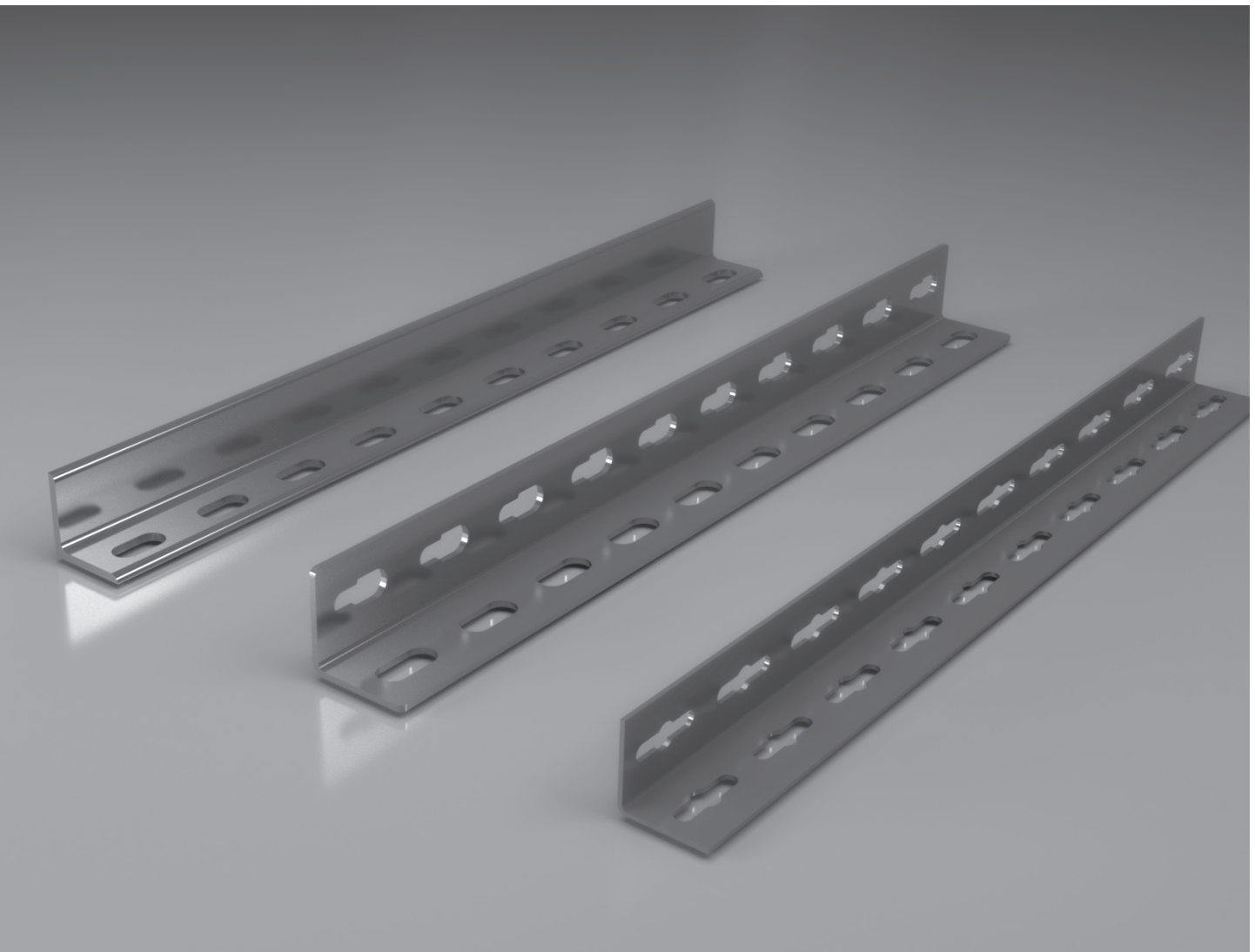
Profile Cross-sectional Properties			X-X			Y-Y		
Product	Thickness (mm)	Cross sectional area (cm ²)	Moment of Inertia I (cm ⁴)	Section Modulus S (cm ³)	Radius Of Gyration R (cm)	Moment of Inertia I (cm ⁴)	Section Modulus S (cm ³)	Radius Of Gyration R (cm)
C1827	1,2	0,83	0,36	0,40	0,66	0,96	1,06	1,07
C2830	1,5	1,48	1,64	1,17	1,05	2,14	1,52	1,2
C3840	2,0	2,52	4,87	2,56	1,38	6,78	3,56	1,63

- Please indicate the order code in your orders.
- Please contact us for your orders with customized sizes.

- After being cut in desired sizes, the part, which is cut in accordance with the coating procedure, shall be coated with Zinga paint. (Please see: Page 132)



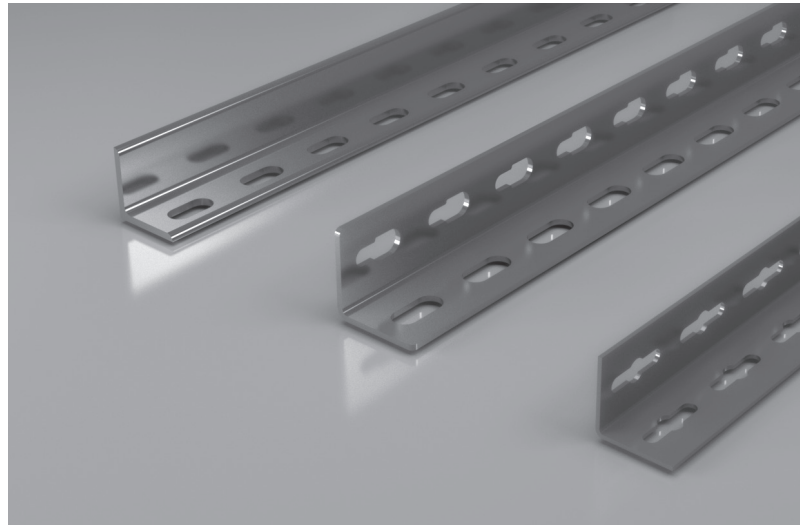
L-PROFILE SUPPORTS



ELECTRO-MECHANICAL SUPPORT AND SUSPENSION SYSTEMS

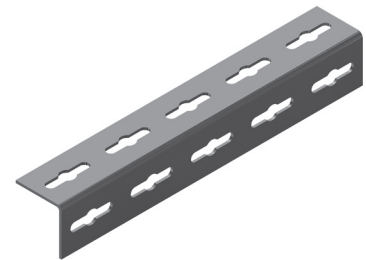
L PROFILE

Used for multi-purpose suspension, support and anchorage element.

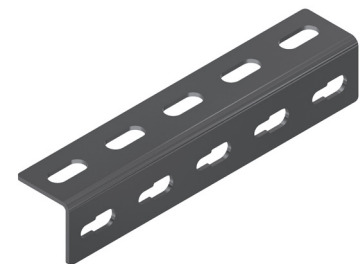


L Profile

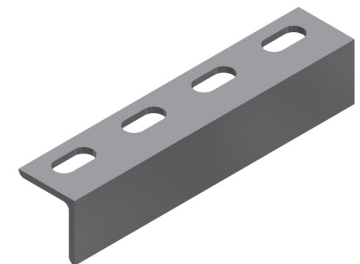
There are perforations on the profile for the purpose of being able to be used by the designers and users in various sectors for aesthetic purposes and in order to facilitate the utilization accordingly. These profiles, preferred as perforated, are manufactured with production lines equipped with cutting-edge technology and in dimensions and axis requested for perforation, burr-free cutting in sizes and dimensions requested packaging specific to individuals and enterprises according to project details. Perforation can be done on these profiles that are designed in accordance with high automation and high capacity production lines on the entire spots requested by means of ability to load 3D drawings thereof.



L-profiles can be preferred for various purposes within various sectors. These sectors are mainly construction, heavy and light duty type steel construction systems, industrial construction and energy. G-Profiles are preferred as support or auxiliary elements in industrial buildings and steel buildings.



L-profiles can be used in the sectors of construction, heavy and light duty type steel construction systems, industrial construction and energy. U-Profiles are preferred as support or auxiliary elements in industrial buildings and steel buildings.



Coating and mechanical preferences can be done on materials convenient for special designed projects. Product selection can be done in based on the weight of the system to be carried or suspended in the project designs to be done. Furthermore, hot dipping galvanize process is applied to increase the resistance of the material against corrosion.

L-Profiles offer material and price advantage up to 40% due to their high bearing capacity as durability compared with structures manufactured by using heavy rolling mill profiles. In addition to this, L-Profiles has made steel construction structures faster, more reliable and economic due to their high production rate, short deadlines, delivery easiness and modular structure ensuring assembly facilitation.

L-Profiles ensure easy and quick assembly in electromechanical suspension systems without the need for welding process. As part severance and fractures do not occur in carrying systems of the structures, it is a more reliable and preferred system. Modular construction systems are the most convenient construction systems for earthquake-prone countries in particular and the countries located on regions of natural disasters. Besides, it has numerous benefits and advantages such as assembly facilitation, long-life due to hot dipping galvanize process and short workmanship time.

ELECTRO-MECHANICAL SUPPORT AND SUSPENSION SYSTEMS

L-PROFILE SUPPORTS

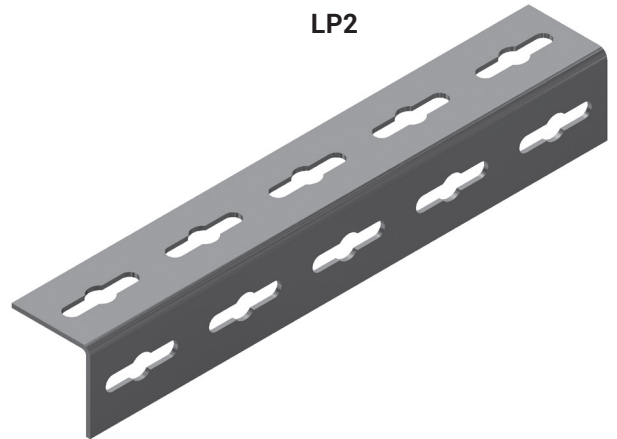
Tray Supports For Threaded Rods

LP2

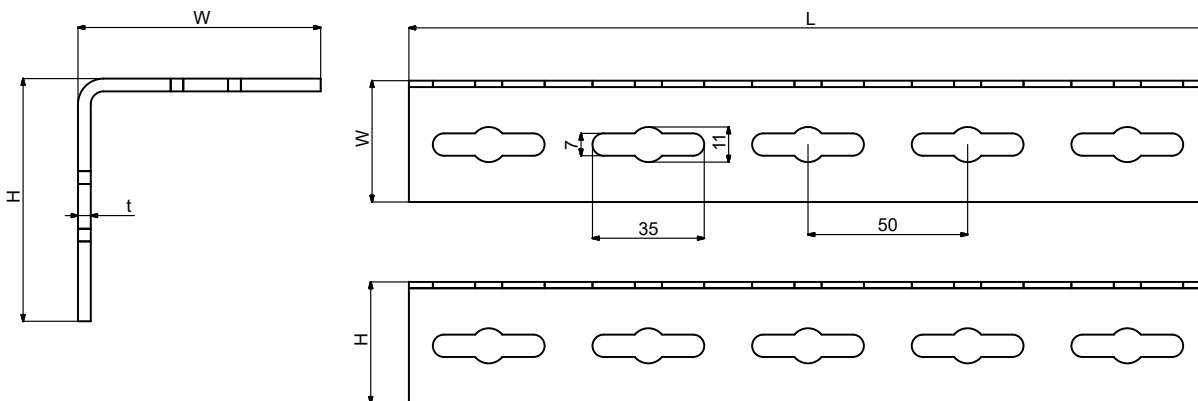
Used as multi-purpose suspension, support and anchorage elements.

Used for the suspension of electro-mechanical installations.

LP2



Product	Thickness T (mm)	Height H (mm)	Width W (mm)	Standard Length L (mm)	Hole Sizes (mm)	Pre-galvanized (TS EN 10346 - TS EN 10143)		Hot-Dip Galvanized (TS EN ISO 1461)	
						Weight (kg./m.)	Order Code	Weight (kg./m.)	Order Code
LP2 1000	2	38	38	1000	7x35 - Ø11	0,980	3001959	1,078	3001960
LP2 2000	2	38	38	2000	7x35 - Ø11	1,959	3001961	2,155	3001962
LP2 3000	2	38	38	3000	7x35 - Ø11	2,939	3001963	3,233	3001964



Profile Cross-sectional Properties		X-X			Y-Y		
Product	Cross sectional area (cm ²)	Moment of Inertia I (cm ⁴)	Section Modulus S (cm ³)	Radius Of Gyration R (cm)	Moment of Inertia I (cm ⁴)	Section Modulus S (cm ³)	Radius Of Gyration R (cm)
LP2	1,45	0,79	0,42	0,74	3,37	1,77	1,52

- Please indicate the order code in your orders.
- Please contact us for your orders with customized sizes.

- After being cut in desired sizes, the part, which is cut in accordance with the coating procedure, shall be coated with Zinga paint. (Please see: Page 132)

ELECTRO-MECHANICAL SUPPORT AND SUSPENSION SYSTEMS

L-PROFILE SUPPORTS

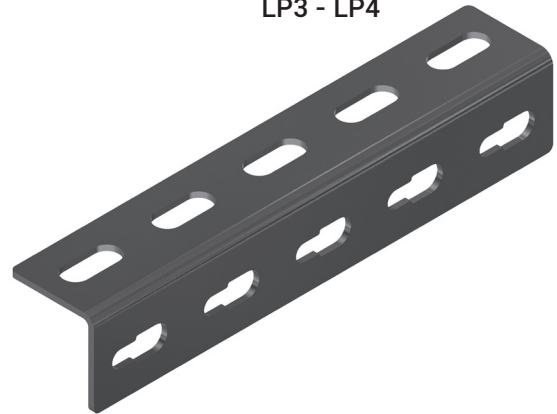
Tray Supports For Threaded Rods

LP3 - LP4

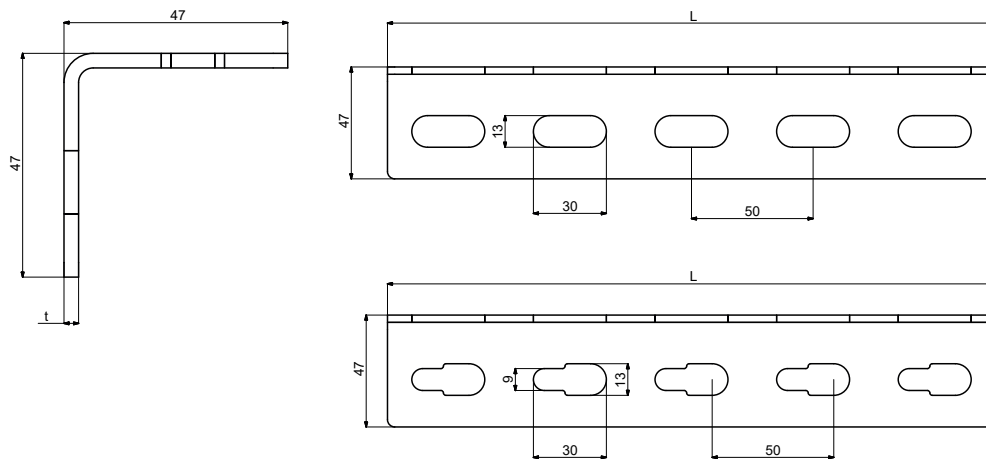
Used as multi-purpose suspension, support and anchorage elements.

Used for the suspension of electro-mechanical installations.

LP3 - LP4



Product	Thickness T (mm)	Height H (mm)	Width W (mm)	Standard Length L (mm)	Hole Sizes (mm)	Hot-Dip Galvanized (TS EN ISO 1461)	
						Weight (kg./m.)	Order Code
LP3 1000	3	46	46	1000	13x30 - 9x30 - Ø13	1,781	3004563
LP3 2000	3	46	46	2000	13x30 - 9x30 - Ø13	3,566	3004565
LP3 3000	3	46	46	3000	13x30 - 9x30 - Ø13	5,350	3004566
LP4 1000	4	46	46	1000	13x30 - 9x30 - Ø13	2,323	3004568
LP4 2000	4	46	46	2000	13x30 - 9x30 - Ø13	4,651	3004570
LP4 3000	4	46	46	3000	13x30 - 9x30 - Ø13	6,979	3004571



Profile Cross-sectional Properties		X-X			Y-Y		
Product	Cross sectional area (cm ²)	Moment of Inertia I (cm ⁴)	Section Modulus S (cm ³)	Radius Of Gyration R (cm)	Moment of Inertia I (cm ⁴)	Section Modulus S (cm ³)	Radius Of Gyration R (cm)
LP3	2,61	2,05	0,89	0,88	8,82	3,83	1,83
LP4	3,41	2,58	1,12	0,87	11,37	4,94	1,82

- Please indicate the order code in your orders.
- Please contact us for your orders with customized sizes.
- After being cut in desired sizes, the part, which is cut in accordance with the coating procedure, shall be coated with Zinga paint. (Please see: Page 132)

ELECTRO-MECHANICAL SUPPORT AND SUSPENSION SYSTEMS

L-PROFILE SUPPORTS

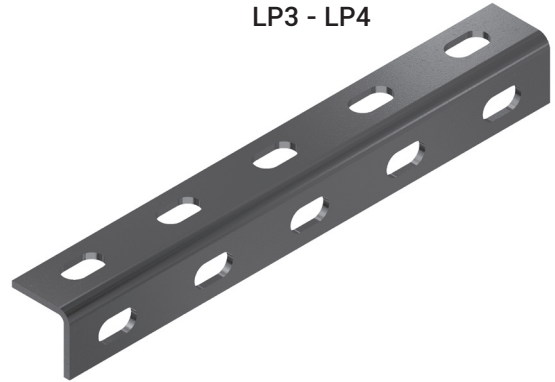
Heavy-duty Type Supports

LP3 - LP4

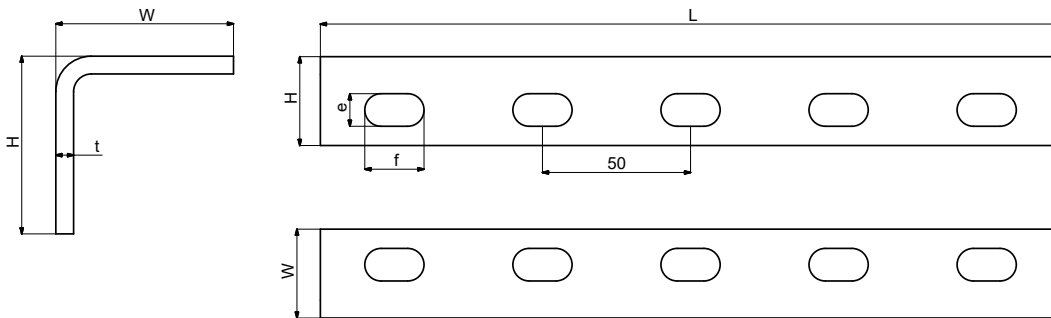
Used as multi-purpose suspension, support and anchorage elements.

Used for the suspension of electro-mechanical installations.

LP3 - LP4



Product	Thickness T (mm)	Height H (mm)	Width W (mm)	Standard Length L (mm)	Hole Sizes (mm)	Hot-Dip Galvanized (TS EN ISO 1461)	
						Weight (kg./m.)	Order Code
LP3 3030	3	30	30	2000	11x20	2,450	3121915
LP3 4040	3	40	40	2000	13x25	3,291	3121916
LP4 4040	4	40	40	2000	13x25	4,274	3121917
LP3 5050	3	50	50	2000	13x25	4,327	3121918
LP4 5050	4	50	50	2000	13x25	5,656	3121919



Profile Cross-sectional Properties		X-X			Y-Y		
Product	Cross sectional area (cm ²)	Moment of Inertia I (cm ⁴)	Section Modulus S (cm ³)	Radius Of Gyration R (cm)	Moment of Inertia I (cm ⁴)	Section Modulus S (cm ³)	Radius Of Gyration R (cm)
LP3 3030	1,69	0,57	0,38	0,58	2,32	1,54	1,17
LP3 4040	2,29	1,41	0,70	0,78	5,71	2,85	1,57
LP4 4040	3,01	1,81	0,90	0,77	7,33	3,66	1,56
LP3 5050	2,89	2,82	1,12	0,98	11,41	4,56	1,98
LP4 5050	3,81	3,64	1,45	0,97	14,77	5,90	1,96

- Please indicate the order code in your orders.
- Please contact us for your orders with customized sizes.
- After being cut in desired sizes, the part, which is cut in accordance with the coating procedure, shall be coated with Zinga paint. (Please see: Page 132)

ELECTRO-MECHANICAL SUPPORT AND SUSPENSION SYSTEMS

L-PROFILE SUPPORTS

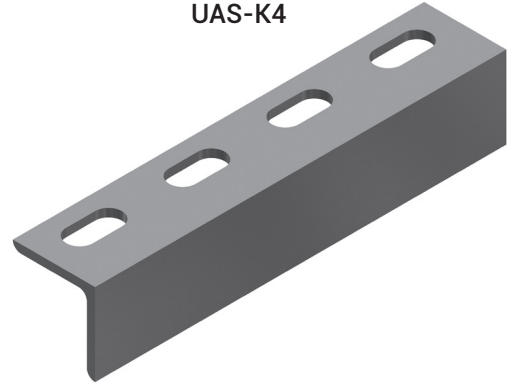
Universal Supports

UAS-K4 SUPPORT

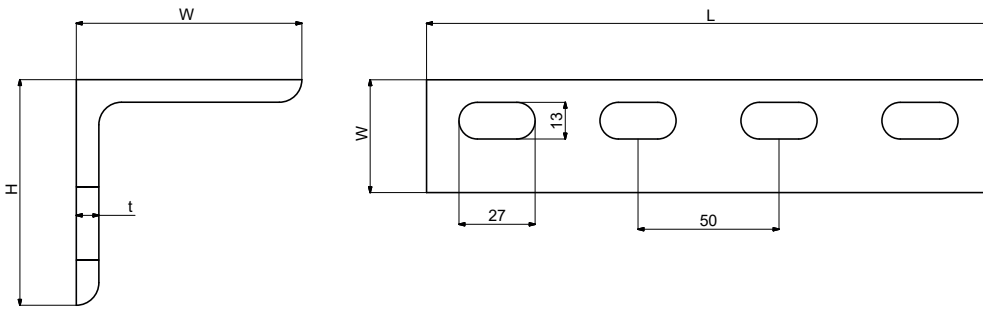
Used for multi-purpose suspension, support and anchorage element.

Used for the suspension of electro-mechanical installations.

UAS-K4



Product	Thickness T (mm)	Height H (mm)	Width W (mm)	Standard Length L (mm)	Hole Sizes (mm)	Hot-Dip Galvanized (TS EN ISO 1461)	
						Weight (kg./m.)	Order Code
UAS-K4 SUPPORT (1)	4	40	40	200	13x27	0,475	3005333
UAS-K4 SUPPORT (2)	4	40	40	250	13x27	0,594	3005332
UAS-K4 SUPPORT (3)	4	40	40	300	13x27	0,713	3005331
UAS-K4 SUPPORT (4)	4	40	40	350	13x27	0,832	3005330
UAS-K4 SUPPORT (5)	4	40	40	400	13x27	0,951	3005329
UAS-K4 SUPPORT (6)	4	40	40	500	13x27	1,189	3005328
UAS-K4 SUPPORT (7)	4	40	40	600	13x27	1,426	3005327
UAS-K4 SUPPORT (8)	4	40	40	700	13x27	1,664	3005326
UAS-K4 SUPPORT (9)	4	40	40	1100	13x27	2,615	3005325



Profile Cross-sectional Properties		X-X			Y-Y		
Product	Cross sectional area (cm ²)	Moment of Inertia I (cm ⁴)	Section Modulus S (cm ³)	Radius Of Gyration R (cm)	Moment of Inertia I (cm ⁴)	Section Modulus S (cm ³)	Radius Of Gyration R (cm)
UAS-K4	3,00	1,77	0,89	0,76	6,89	3,45	1,51

- Please indicate the order code in your orders.
- Please contact us for your orders with customized sizes.

- After being cut in desired sizes, the part, which is cut in accordance with the coating procedure, shall be coated with Zinga paint. (Please see: Page 132)

ELECTRO-MECHANICAL SUPPORT AND SUSPENSION SYSTEMS

L-PROFILE SUPPORTS

Universal Supports

UAS-K5 SUPPORT

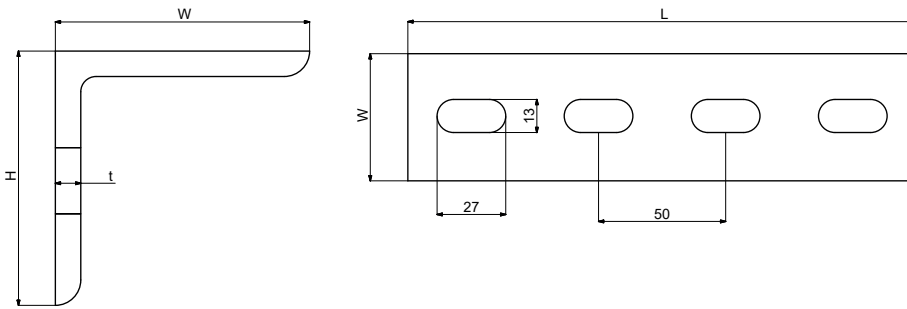
Used for multi-purpose suspension, support and anchorage element.

Used for the suspension of electro-mechanical installations.

UAS-K5



Product	Thickness T (mm)	Height H (mm)	Width W (mm)	Standard Length L (mm)	Hole Sizes (mm)	Hot-Dip Galvanized (TS EN ISO 1461)	
						Weight (kg./m.)	Order Code
UAS-K5 SUPPORT (1)	5	50	50	200	13x27	0,751	3005324
UAS-K5 SUPPORT (2)	5	50	50	250	13x27	0,938	3005323
UAS-K5 SUPPORT (3)	5	50	50	300	13x27	1,126	3005322
UAS-K5 SUPPORT (4)	5	50	50	350	13x27	1,313	3005321
UAS-K5 SUPPORT (5)	5	50	50	400	13x27	1,501	3005320
UAS-K5 SUPPORT (6)	5	50	50	500	13x27	1,876	3005319
UAS-K5 SUPPORT (7)	5	50	50	600	13x27	2,252	3005318
UAS-K5 SUPPORT (8)	5	50	50	700	13x27	2,627	3005317
UAS-K5 SUPPORT (9)	5	50	50	1100	13x27	4,129	3005316



Profile Cross-sectional Properties		X-X			Y-Y		
Product	Cross sectional area (cm ²)	Moment of Inertia I (cm ⁴)	Section Modulus S (cm ³)	Radius Of Gyration R (cm)	Moment of Inertia I (cm ⁴)	Section Modulus S (cm ³)	Radius Of Gyration R (cm)
UAS-K5	4,66	4,29	1,72	0,96	16,82	6,73	1,89

- Please indicate the order code in your orders.
- Please contact us for your orders with customized sizes.
- After being cut in desired sizes, the part, which is cut in accordance with the coating procedure, shall be coated with Zinga paint. (Please see: Page 132)



Project Design Form

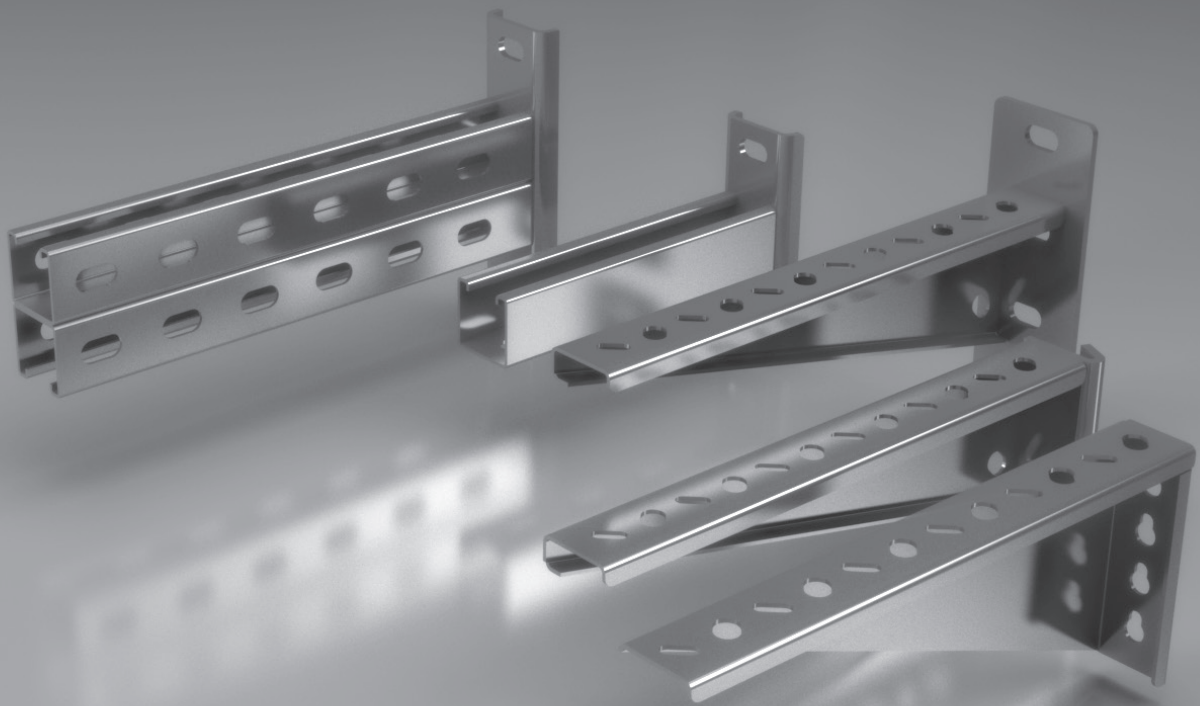
Component List	Item	Component	Quantity
Please duplicate this page for your own use.			

Company :
Project :
Project No :

Prepared by
Name :
Date :
Signature :



CONSOLE TYPE SUPPORTS



ELECTRO-MECHANICAL SUPPORT AND SUSPENSION SYSTEMS

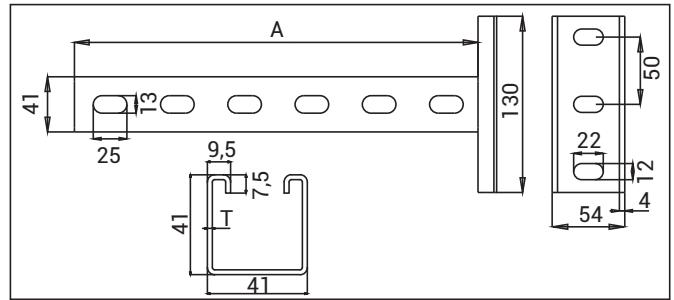
CONSOLE TYPE SUPPORTS

G-Profile Console Supports

BR

Used for multi-purpose suspension, support and anchorage element.

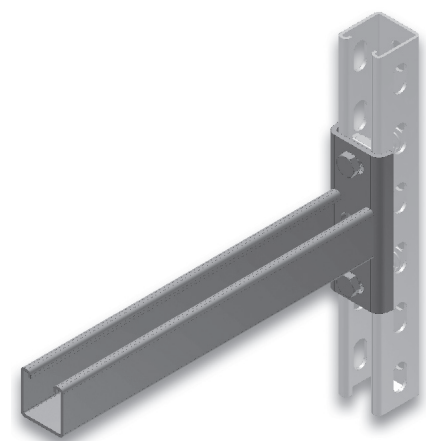
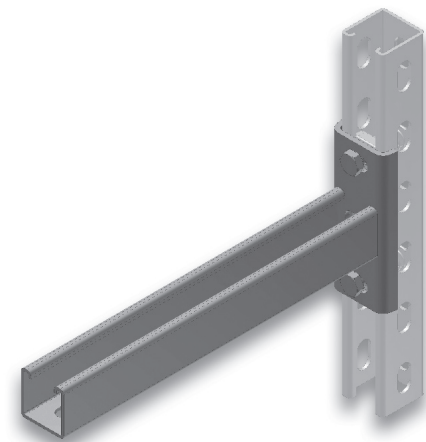
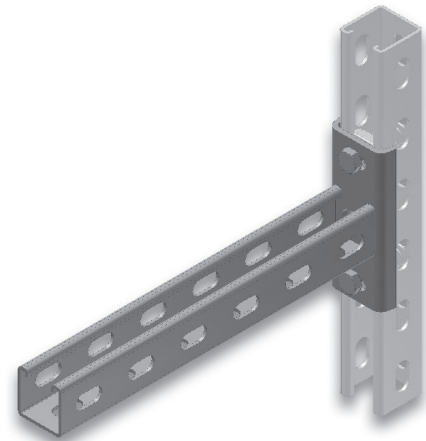
Used for the suspension of electro-mechanical installations.



G-PROFILE PERFORATED			Hot-Dip Galvanized (TS EN ISO 1461)	
Product	A (mm)	T (mm)	Weight (kg./pc)	Order Code
BR 2-100	150	2	0,588	3000210
BR 2-150	200	2	0,695	3000243
BR 2-200	250	2	0,801	3000244
BR 2-250	300	2	0,908	3000245
BR 2-300	350	2	1,014	3000246
BR 2-400	450	2	1,227	3000247
BR 2-500	550	2	1,440	3000248
BR 2-600	650	2	1,653	3000249

G-PROFILE SINGLE PERFORATED CONSOLES			Hot-Dip Galvanized (TS EN ISO 1461)	
Product	A (mm)	T (mm)	Weight (kg./pc)	Order Code
BR 3-100	150	2	0,627	3000214
BR 3-150	200	2	0,749	3000250
BR 3-200	250	2	0,865	3000251
BR 3-250	300	2	0,959	3000252
BR 3-300	350	2	1,073	3000253
BR 3-400	450	2	1,299	3000254
BR 3-500	550	2	1,525	3000255
BR 3-600	650	2	1,751	3000256

G-PROFILE NON-PERFORATED CONSOLES			Hot-Dip Galvanized (TS EN ISO 1461)	
Product	A (mm)	T (mm)	Weight (kg./pc)	Order Code
BR 4-100	150	2	0,634	3000215
BR 4-150	200	2	0,752	3000257
BR 4-200	250	2	0,871	3000258
BR 4-250	300	2	0,988	3000259
BR 4-300	350	2	1,107	3000260
BR 4-400	450	2	1,344	3000261
BR 4-500	550	2	1,579	3000262
BR 4-600	650	2	1,815	3000263



- Please indicate the order code in your orders.
- Please contact us for your orders with customized sizes.

ELECTRO-MECHANICAL SUPPORT AND SUSPENSION SYSTEMS

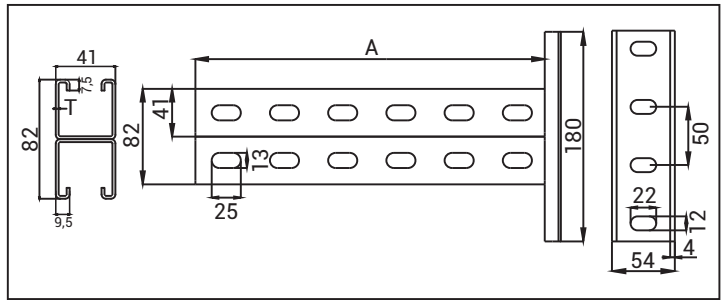
CONSOLE TYPE SUPPORTS

G-Profile Console Supports

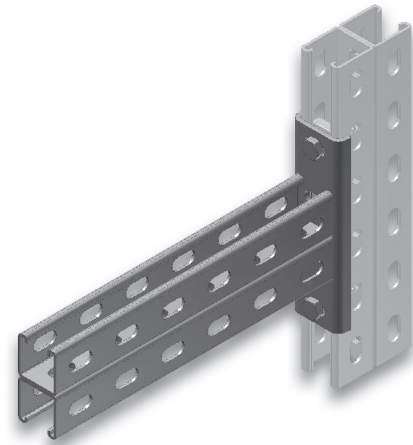
BR

Used for multi-purpose suspension, support and anchorage element.

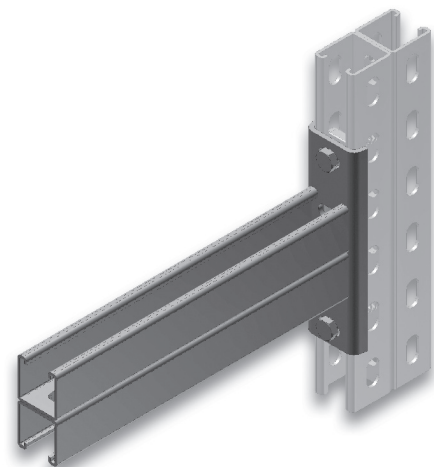
Used for the suspension of electro-mechanical installations.



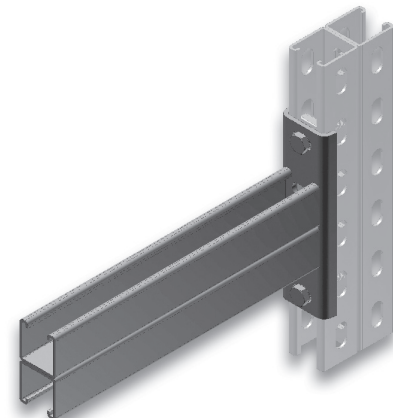
G-PROFILE DUAL CONDUIT PERFORATED CONSOLES			Ho t-Dip Galvanized (TS EN ISO 1461)	
Product	A (mm)	T (mm)	Weight (kg./pc)	Order Code
BR 5-100	150	2	1,011	3000264
BR 5-150	200	2	1,221	3000265
BR 5-200	250	2	1,433	3000266
BR 5-250	300	2	1,646	3000267
BR 5-300	350	2	1,859	3000268
BR 5-400	450	2	2,276	3000269
BR 5-500	550	2	2,710	3000270
BR 5-600	650	2	3,136	3000271



G-PROFILE DUAL CONDUIT SINGLE PERFORATION CONSOLES			Ho t-Dip Galvanized (TS EN ISO 1461)	
Product	A (mm)	T (mm)	Weight (kg./pc)	Order Code
BR 6-100	150	2	1,069	3000272
BR 6-150	200	2	1,302	3000273
BR 6-200	250	2	1,535	3000274
BR 6-250	300	2	1,768	3000275
BR 6-300	350	2	2,001	3000276
BR 6-400	450	2	2,467	3000277
BR 6-500	550	2	2,933	3000278
BR 6-600	650	2	3,399	3000279



G-PROFILE DUAL CONDUIT NON-PERFORATED CONSOLES			Ho t-Dip Galvanized (TS EN ISO 1461)	
Product	A (mm)	T (mm)	Weight (kg./pc)	Order Code
BR 7-100	150	2	1,089	3000280
BR 7-150	200	2	1,326	3000281
BR 7-200	250	2	1,421	3000282
BR 7-250	300	2	1,800	3000283
BR 7-300	350	2	2,036	3000284
BR 7-400	450	2	2,510	3000285
BR 7-500	550	2	2,985	3000286
BR 7-600	650	2	3,457	3000287



- Please indicate the order code in your orders.
- Please contact us for your orders with customized sizes.

ELECTRO-MECHANICAL SUPPORT AND SUSPENSION SYSTEMS

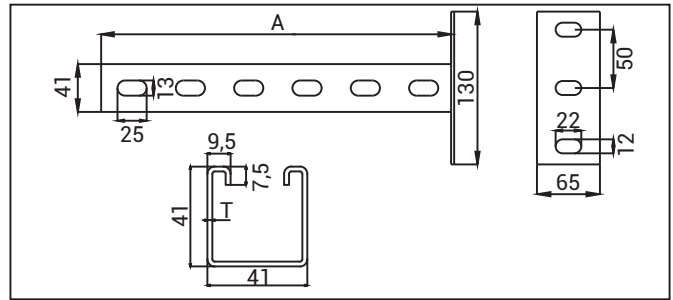
CONSOLE TYPE SUPPORTS

G-Profile Console Supports

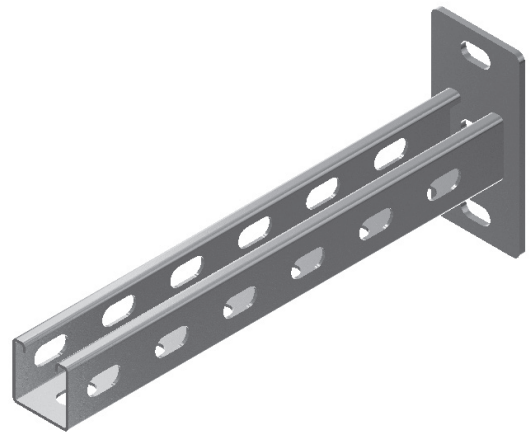
BR

Used for multi-purpose suspension, support and anchorage element.

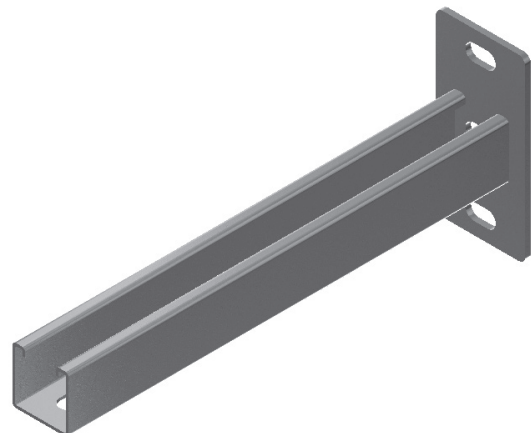
Used for the suspension of electro-mechanical installations.



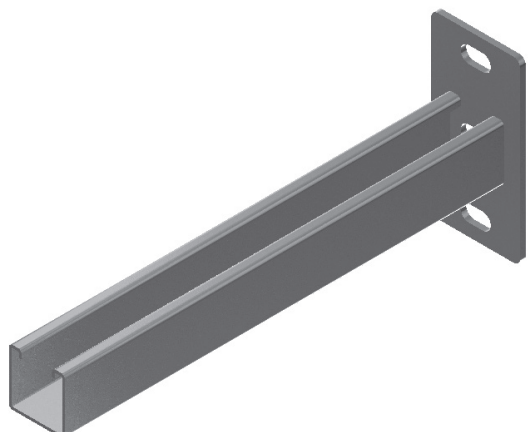
G-PROFILE PERFORATED CONSOLES			Hot-Dip Galvanized (TS EN ISO 1461)	
Product	A (mm)	T (mm)	Weight (kg./pc)	Order Code
BR 2-D-100	150	2	0,588	3110929
BR 2-D-150	200	2	0,695	3110930
BR 2-D-200	250	2	0,801	3110931
BR 2-D-250	300	2	0,908	3110932
BR 2-D-300	350	2	1,014	3110933
BR 2-D-400	450	2	1,227	3110934
BR 2-D-500	550	2	1,440	3110935
BR 2-D-600	650	2	1,653	3110936



G-PROFILE SINGLE PERFORATED CONSOLES			Hot-Dip Galvanized (TS EN ISO 1461)	
Product	A (mm)	T (mm)	Weight (kg./pc)	Order Code
BR 3-D-100	150	2	0,627	3110937
BR 3-D-150	200	2	0,749	3110938
BR 3-D-200	250	2	0,865	3110939
BR 3-D-250	300	2	0,959	3110940
BR 3-D-300	350	2	1,073	3110941
BR 3-D-400	450	2	1,299	3110942
BR 3-D-500	550	2	1,525	3110943
BR 3-D-600	650	2	1,751	3110944



G-PROFILE NON-PERFORATED CONSOLES			Hot-Dip Galvanized (TS EN ISO 1461)	
Product	A (mm)	T (mm)	Weight (kg./pc)	Order Code
BR 4-D-100	150	2	0,634	3110945
BR 4-D-150	200	2	0,752	3110946
BR 4-D-200	250	2	0,871	3110947
BR 4-D-250	300	2	0,988	3110948
BR 4-D-300	350	2	1,107	3110949
BR 4-D-400	450	2	1,344	3110950
BR 4-D-500	550	2	1,579	3110951
BR 4-D-600	650	2	1,815	3110952



- Please indicate the order code in your orders.
- Please contact us for your orders with customized sizes.

ELECTRO-MECHANICAL SUPPORT AND SUSPENSION SYSTEMS

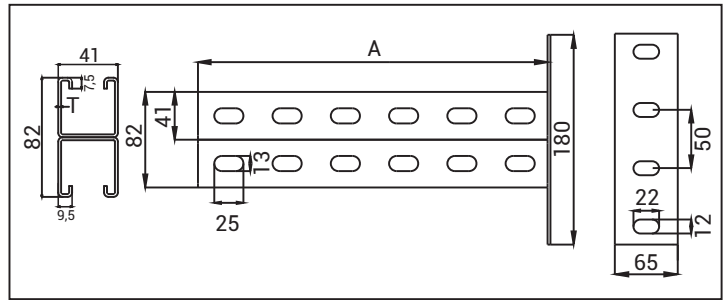
CONSOLE TYPE SUPPORTS

G-Profile Console Supports

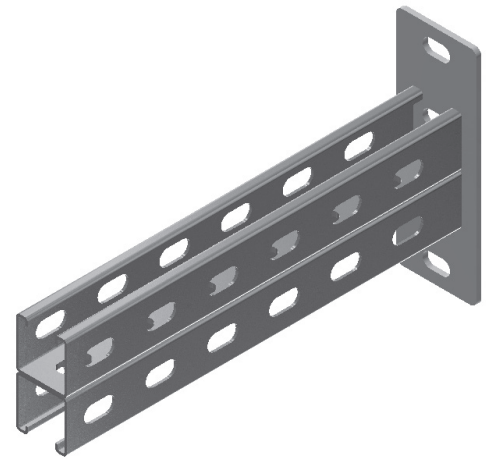
BR

Used for multi-purpose suspension, support and anchorage element.

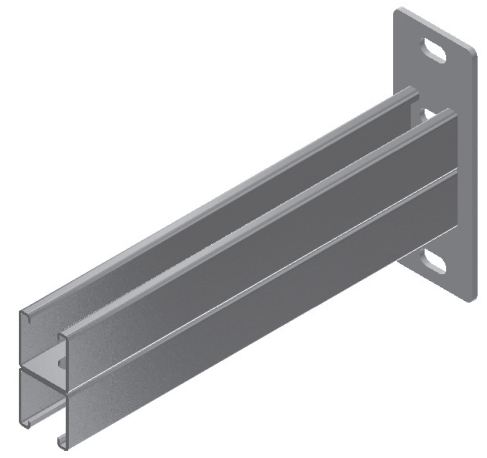
Used for the suspension of electro-mechanical installations.



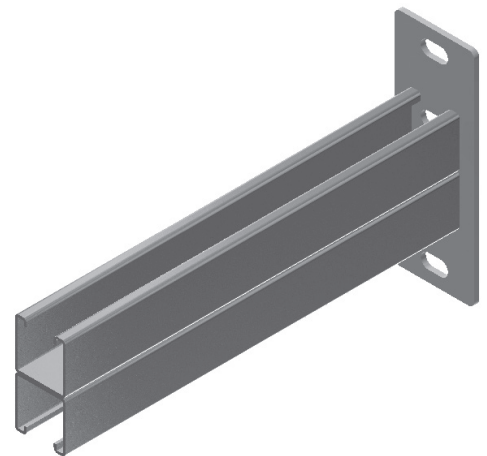
G-PROFILE DUAL CONDUIT PERFORATED CONSOLES			Hot-Dip Galvanized (TS EN ISO 1461)	
Product	A (mm)	T (mm)	Weight (kg./pc)	Order Code
BR 5-D-100	150	2	1,011	3110953
BR 5-D-150	200	2	1,221	3110954
BR 5-D-200	250	2	1,433	3110955
BR 5-D-250	300	2	1,646	3110956
BR 5-D-300	350	2	1,859	3110957
BR 5-D-400	450	2	2,276	3110958
BR 5-D-500	550	2	2,710	3110959
BR 5-D-600	650	2	3,136	3110960



G-PROFILE DUAL CONDUIT SINGLE PERFORATION CONSOLES			Hot-Dip Galvanized (TS EN ISO 1461)	
Product	A (mm)	T (mm)	Weight (kg./pc)	Order Code
BR 6-D-100	150	2	1,069	3110961
BR 6-D-150	200	2	1,302	3110962
BR 6-D-200	250	2	1,535	3110963
BR 6-D-250	300	2	1,768	3110964
BR 6-D-300	350	2	2,001	3110965
BR 6-D-400	450	2	2,467	3110966
BR 6-D-500	550	2	2,933	3110967
BR 6-D-600	650	2	3,399	3110968



G-PROFILE DUAL CONDUIT NON-PERFORATED CONSOLES			Hot-Dip Galvanized (TS EN ISO 1461)	
Product	A (mm)	T (mm)	Weight (kg./pc)	Order Code
BR 7-D-100	150	2	1,089	3110969
BR 7-D-150	200	2	1,326	3110970
BR 7-D-200	250	2	1,421	3110971
BR 7-D-250	300	2	1,800	3110972
BR 7-D-300	350	2	2,036	3110973
BR 7-D-400	450	2	2,510	3110974
BR 7-D-500	550	2	2,985	3110975
BR 7-D-600	650	2	3,457	3110976



- Please indicate the order code in your orders.
- Please contact us for your orders with customized sizes.

ELECTRO-MECHANICAL SUPPORT AND SUSPENSION SYSTEMS

CONSOLE TYPE SUPPORTS

Light-Duty Type Supports

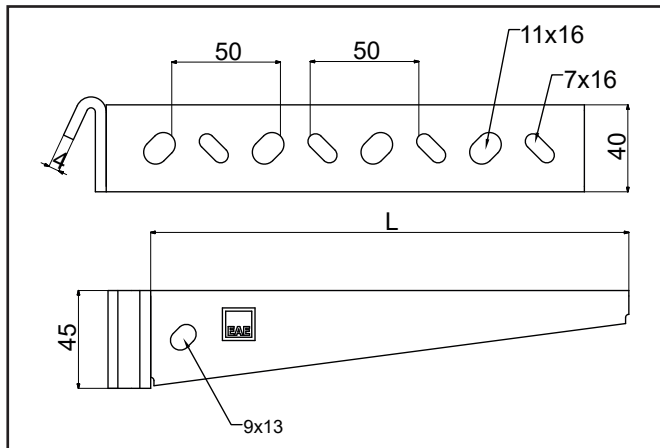
STK

Used for multi-purpose suspension, support and anchorage element.

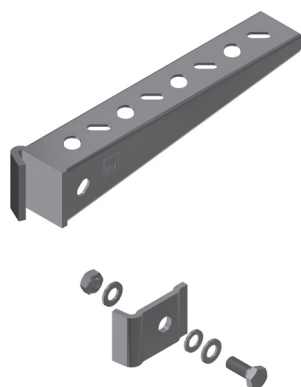
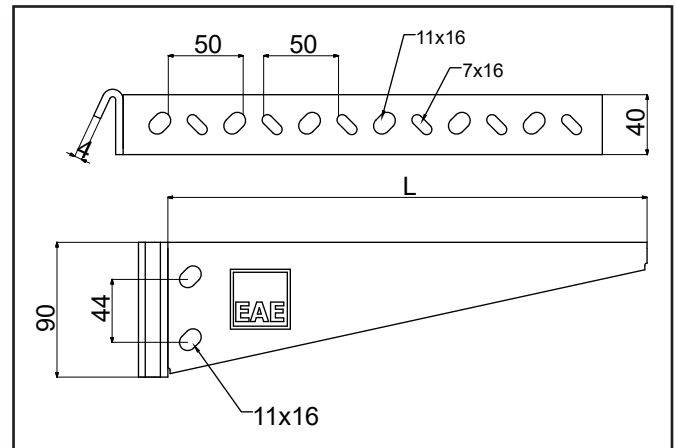
Used for the suspension of electro-mechanical installations.

Product	Console Thickness	Rear Sheet Thickness	Standard Length	Hot-Dip Galvanized (TS EN ISO 1461)	
	T (mm)	T (mm)	L (mm)	Weight (kg./pc)	Order Code
STK 100	2	4	120	0,350	3008198
STK 150	2	4	170	0,417	3008114
STK 200	2	4	220	0,519	3008296
STK 250	2	4	270	0,892	3008295
STK 300	2	4	320	1,044	3008294
STK 400	2	4	420	1,215	3008293
STK 500	2	4	520	1,387	3008292
STK 600	2	4	620	1,557	3008291

STK 100 - 150 - 200



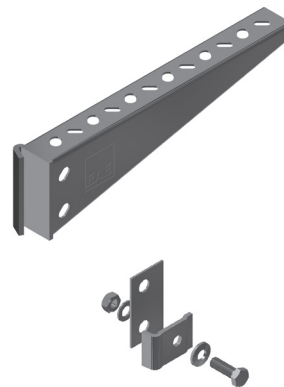
STK 250 - 300 - 400 - 500 - 600



STK 100 - 150 - 200

Bolt Set includes;

- 1 pc. M8x20 Bolt,
- 1 pc. M8 Nut,
- 2 pcs. M8 Washer,
- 1 pc. Distance Ring and 1 pc. Tab material.



STK 250-300-400-500-600

Bolt Set includes;

- 2 pcs. M10x30 Bolt,
- 2 pcs. M10 Nut,
- 2 pcs. M10 Washer,
- 2 pcs. M10 Belleville and 2 pcs. Tab material.

- Please indicate the order code in your orders.
- Please contact us for your orders with customized sizes.

ELECTRO-MECHANICAL SUPPORT AND SUSPENSION SYSTEMS

CONSOLE TYPE SUPPORTS

Heavy-duty Type Supports

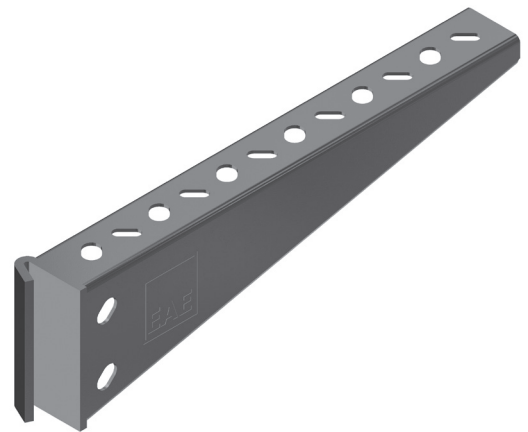
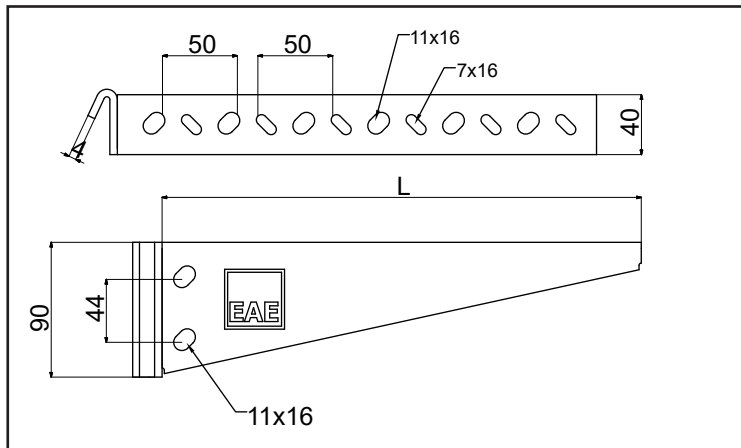
STK-M

Used for multi-purpose suspension, support and anchorage element.

Used for the suspension of electro-mechanical installations.

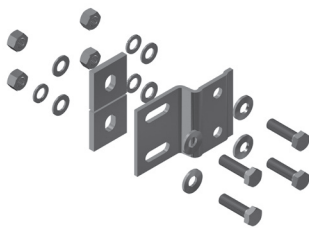
Product	Console Thickness	Rear Sheet Thickness	Standard Length	Hot-Dip Galvanized (TS EN ISO 1461)	
	T (mm)	T (mm)	L (mm)	Weight (kg./pc)	Order Code
STK-M 250	2	4	270	1,277	3110215
STK-M 300	2	4	320	1,363	3110216
STK-M 400	2	4	420	1,534	3110217
STK-M 500	2	4	520	1,706	3110218
STK-M 600	2	4	620	1,876	3110219

STK - M 250 - 300 - 400 - 500 - 600



STK - M 250 - 300 - 400 - 500 - 600

Bolt Set includes;



- 4 pcs. M10x35 Bolt,
- 4 pcs. M10 Nut,
- 4 pcs. M10 Washer,
- 4 pcs. M10 Dish Washer,
- 4 pcs. M10 Distance Ring,
- 2 pcs. BR1-1 Square Washer and
- 1 pc. STK-M tab material.

- STK-M Bolt Set will be supplied with the product.
- Please indicate the order code in your orders.
- Please contact us for your orders with customized sizes.

ELECTRO-MECHANICAL SUPPORT AND SUSPENSION SYSTEMS

CONSOLE TYPE SUPPORTS

Heavy-duty Type Supports

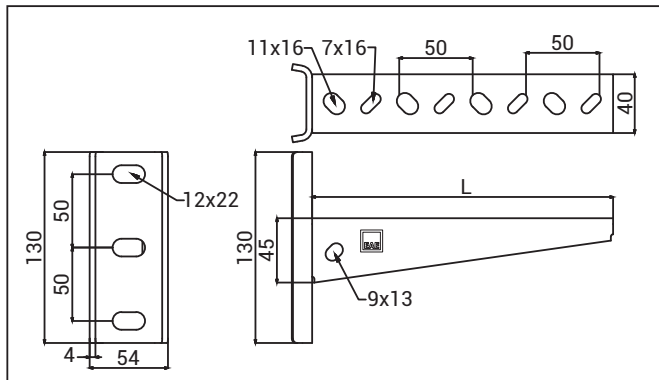
STS

Used for multi-purpose suspension, support and anchorage element.

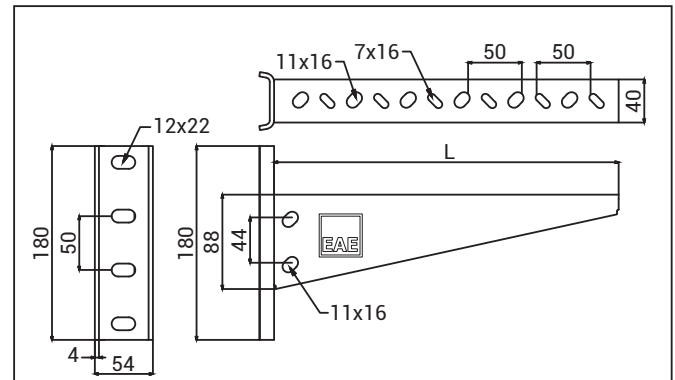
Used for the suspension of electro-mechanical installations.

Product	Console Thickness	Rear Sheet Thickness	Standard Length	Hot-Dip Galvanized (TS EN ISO 1461)	
	T (mm)	T (mm)	L (mm)	Weight (kg./pc)	Order Code
STK 100	2	4	120	0,398	3008015
STK 150	2	4	170	0,474	3008016
STK 200	2	4	220	0,539	3008017
STK 250	2	4	270	0,814	3008018
STK 300	2	4	320	0,920	3008019
STK 400	2	4	420	1,026	3008020
STK 500	2	4	520	1,262	3008021
STK 600	2	4	620	1,425	3008022

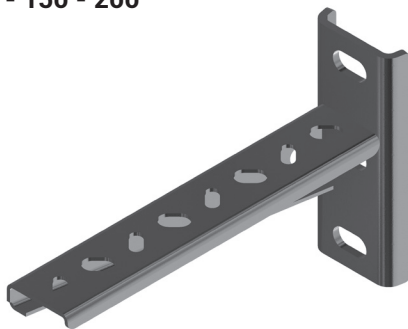
STS 100 - 150 - 200



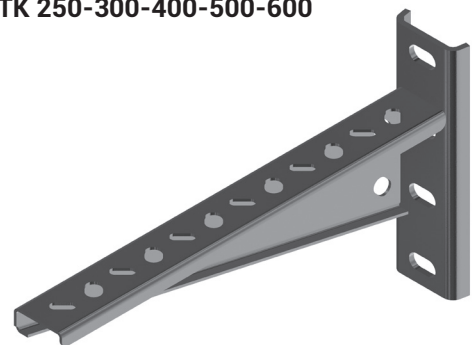
STS 250 - 300 - 400 - 500 - 600



STK 100 - 150 - 200



STK 250-300-400-500-600



- Please indicate the order code in your orders.
- Please contact us for your orders with customized sizes.

ELECTRO-MECHANICAL SUPPORT AND SUSPENSION SYSTEMS

CONSOLE TYPE SUPPORTS

Heavy-duty Type Supports

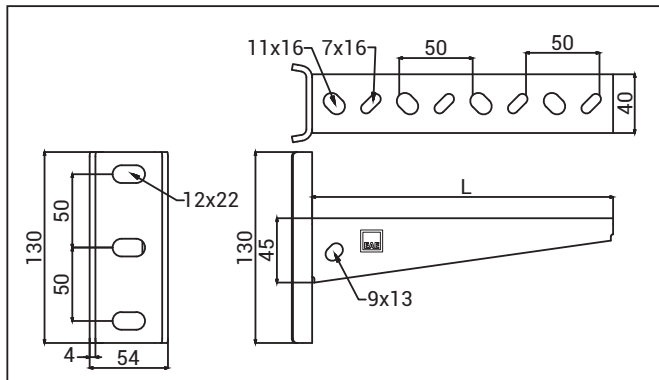
STS-D

Used for multi-purpose suspension, support and anchorage element.

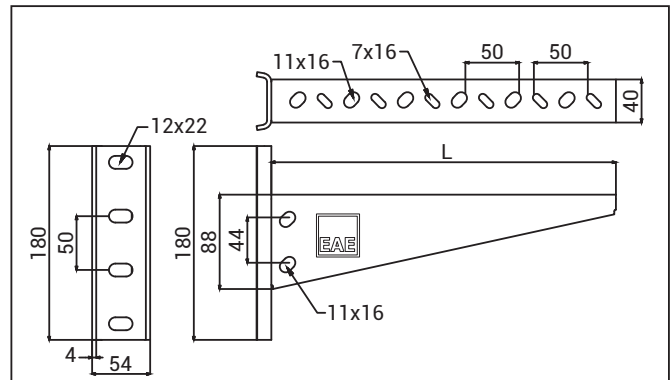
Used for the suspension of electro-mechanical installations.

Product	Console Thickness	Rear Sheet Thickness	Standard Length	Hot-Dip Galvanized (TS EN ISO 1461)	
	T (mm)	T (mm)	L (mm)	Weight (kg./pc)	Order Code
STS-D 100	2	4	120	0,429	3007933
STS-D 150	2	4	170	0,466	3007932
STS-D 200	2	4	220	0,530	3007931
STS-D 250	2	4	270	0,811	3007930
STS-D 300	2	4	320	0,917	3007929
STS-D 400	2	4	420	1,089	3007928
STS-D 500	2	4	520	1,266	3007927
STS-D 600	2	4	620	1,419	3007926

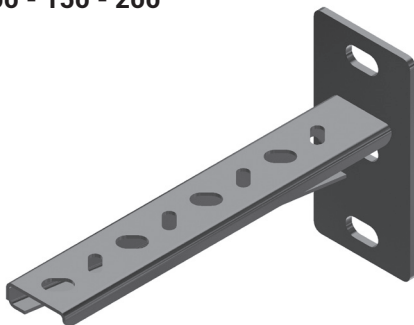
STS D 100 - 150 - 200



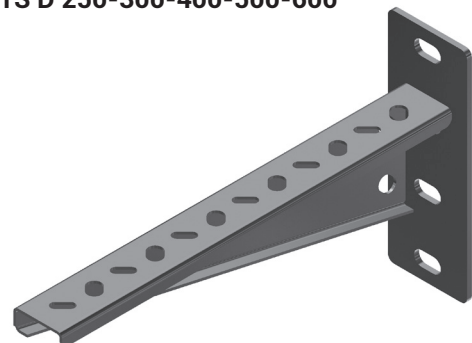
STS D 250 - 300 - 400 - 500 - 600



STS D 100 - 150 - 200



STS D 250-300-400-500-600



- Please indicate the order code in your orders.
- Please contact us for your orders with customized sizes.

ELECTRO-MECHANICAL SUPPORT AND SUSPENSION SYSTEMS

CONSOLE TYPE SUPPORTS

Light-Duty Type Supports

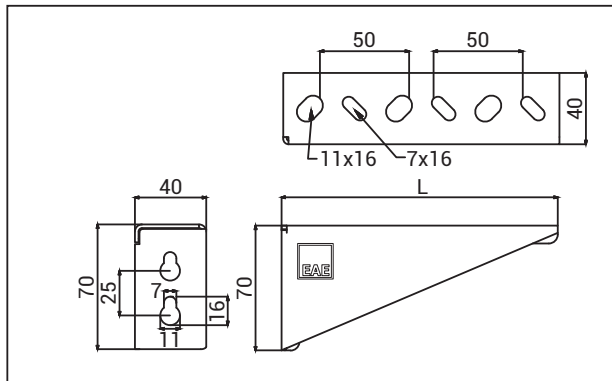
TS

Used for multi-purpose suspension, support and anchorage element.

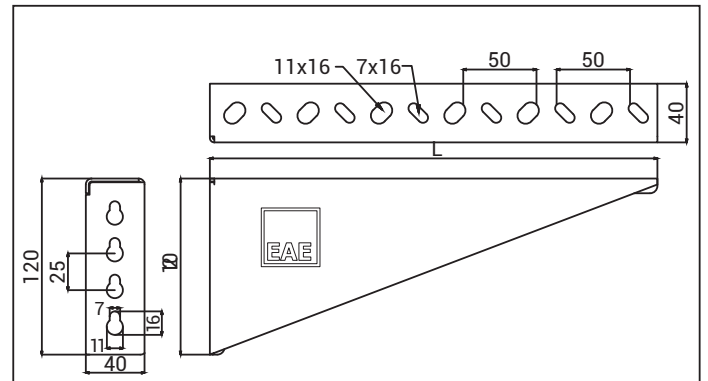
Used for the suspension of electro-mechanical installations.

Product	Thickness T (mm)	Standard Length L (mm)	Pre-galvanized (TS EN 10346 - TS EN 10143)		Hot-Dip Galvanized (TS EN ISO 1461)	
			Weight (kg./m.)	Order Code	Weight (kg./pc)	Order Code
TS 050	2	55	0,107	3008556	0,118	3008557
TS 100	2	105	0,165	3008554	0,182	3008555
TS 150	2	155	0,224	3008552	0,246	3008553
TS 200	2	205	0,283	3008550	0,311	3008551
TS 250	2	255	0,474	3008548	0,521	3008549
TS 300	2	305	0,552	3008546	0,607	3008547
TS 400	2	405	0,710	3008544	0,781	3008545
TS 500	2	505	0,868	3008542	0,955	3008543
TS 600	2	605	1,025	3005827	1,128	3005828

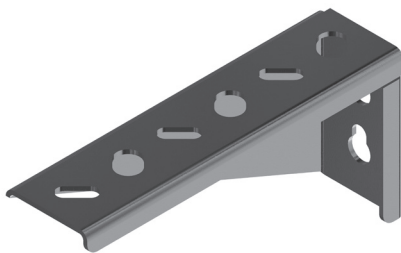
TS 50 - 100 - 150 - 200



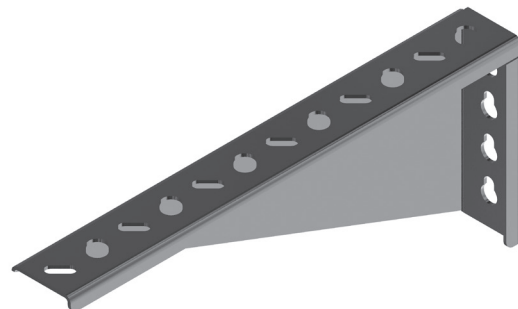
TS 250 - 300 - 400 - 500 - 600



TS 50 - 100 - 150 - 200



TS 250 - 300 - 400 - 500 - 600



- Please indicate the order code in your orders.
- Please contact us for your orders with customized sizes.

ELECTRO-MECHANICAL SUPPORT AND SUSPENSION SYSTEMS

CONSOLE TYPE SUPPORTS

Heavy-duty Type Supports

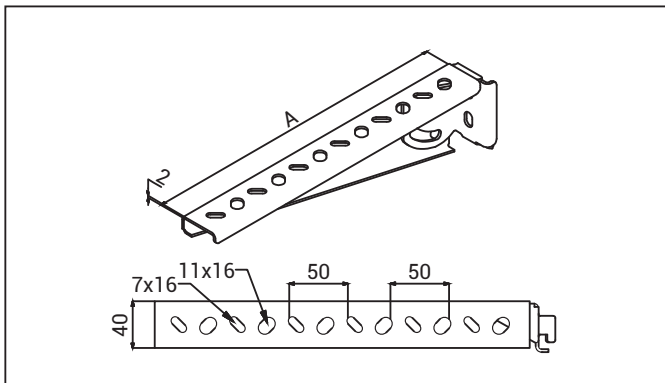
ST

Used for multi-purpose suspension, support and anchorage element.

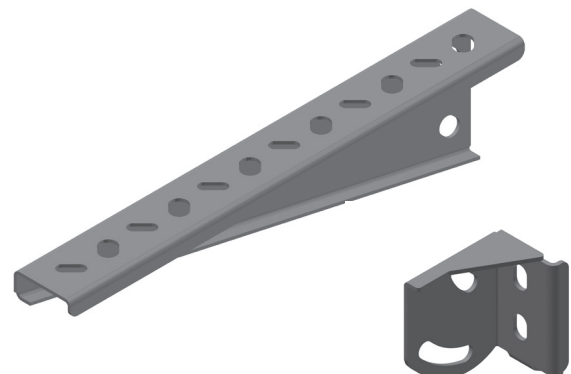
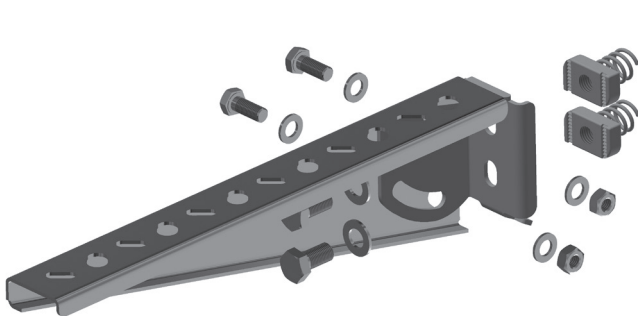
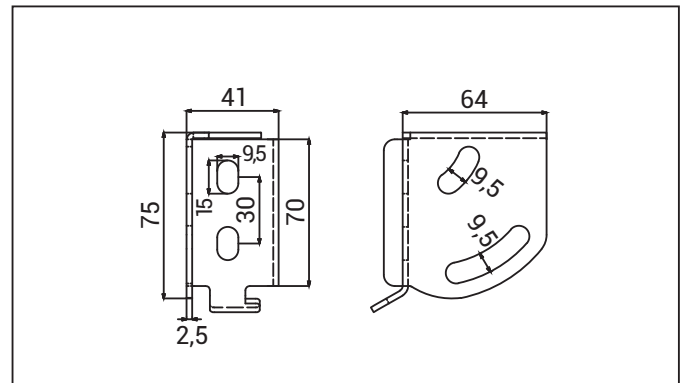
Used for the suspension of electro-mechanical installations.

Product	A (mm)	T (mm)	Hot-Dip Galvanized (TS EN ISO 1461)	
			Weight (kg./pc)	Order Code
ST 200	205	2	0,318	2000799
ST 250	255	2	0,416	2000805
ST 300	305	2	0,494	2000800
ST 400	405	2	0,649	2000801
Angle Gaged Heavy-duty Type Supports	-	2,5	0,200	3006351

ST



ANGLE GAGED HEAVY-DUTY TYPE SUPPORTS



- Please indicate the order code in your orders.
- Please contact us for your orders with customized sizes.



Project Design Form

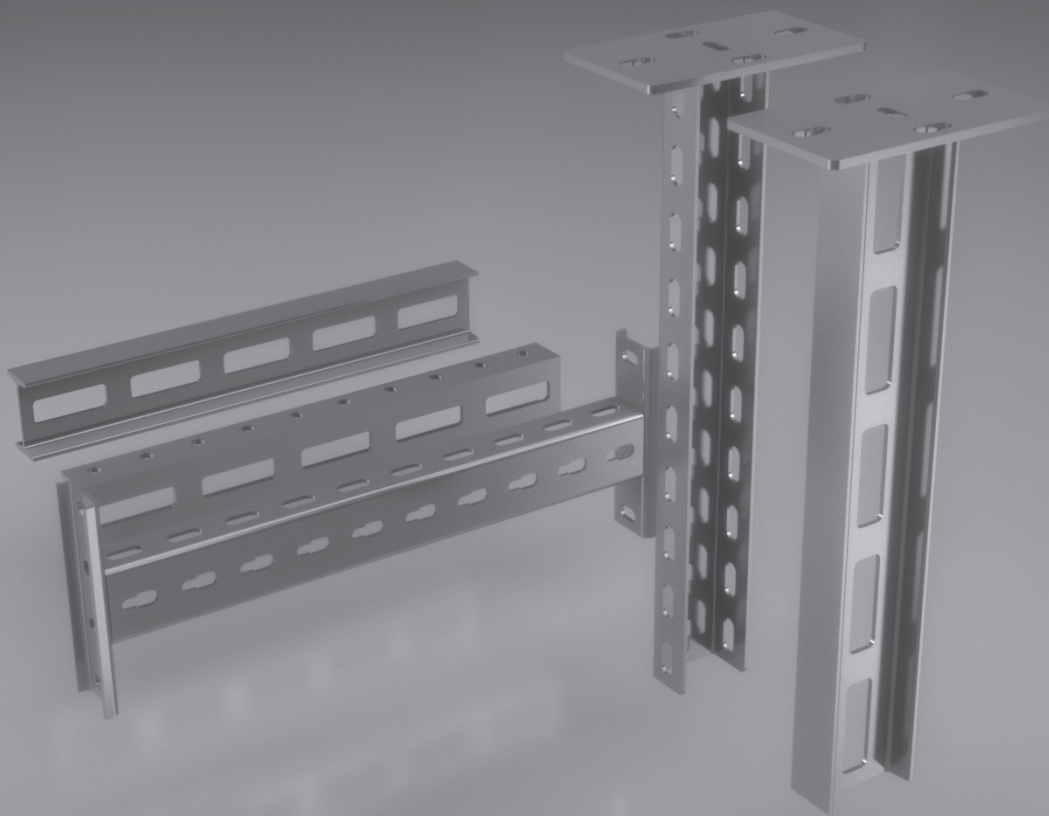
Component List	Item	Component	Quantity
<div style="float: right; text-align: right; margin-bottom: 10px;"> Company : Project : Project No : </div> <div style="float: right; text-align: right;"> Name : Date : Signature : </div> <div style="clear: both;"></div> <div style="text-align: right; margin-top: 10px;"> Prepared by </div>			

Please duplicate this page for your own use.





HEAVY-DUTY TYPE SUPPORTS



I

ELECTRO-MECHANICAL SUPPORT AND SUSPENSION SYSTEMS

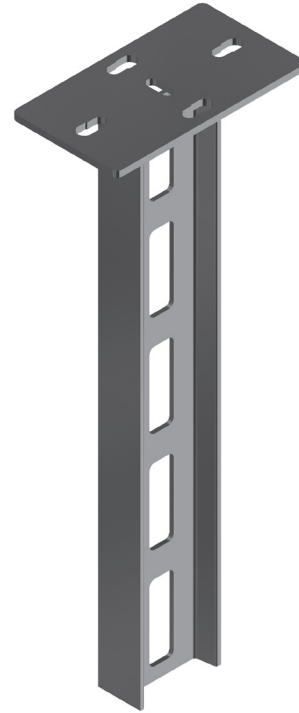
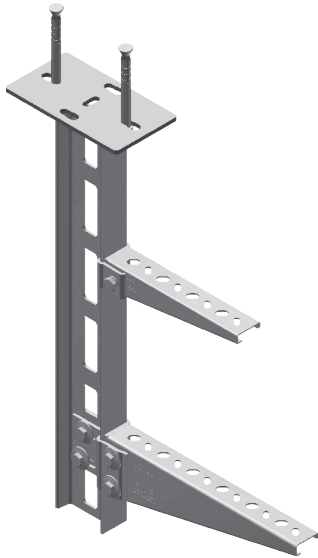
HEAVY-DUTY TYPE SUPPORTS

Heavy-duty Type Supports

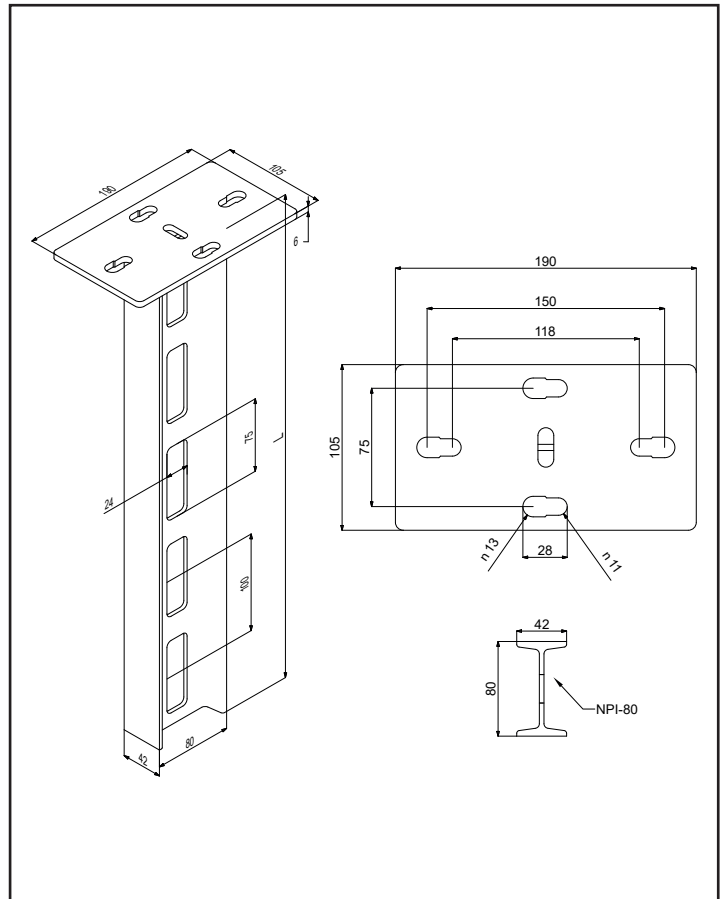
IDD

Used as ceiling assembly part in electro-mechanical installation suspensions.

IDD



Product	Standard Length L (mm)	Hot-Dip Galvanized (TS EN ISO 1461)	
		Weight (kg./pc)	Order Code
IDD 300	300	2,650	3008314
IDD 400	400	3,050	3008313
IDD 500	500	3,550	3008312
IDD 600	600	4,250	3008311
IDD 700	700	4,650	3008310
IDD 800	800	5,150	3008309
IDD 900	900	5,650	3008308
IDD 1000	1000	6,250	3008307
IDD 1100	1100	6,650	3008306
IDD 1200	1200	7,150	3008305
IDD 1300	1300	7,850	3008304
IDD 1400	1400	8,250	3008303
IDD 1500	1500	8,850	3008302
IDD 1600	1600	9,450	3008301
IDD 1700	1700	9,850	3008300
IDD 1800	1800	10,350	3008299
IDD 1900	1900	10,850	3008298
IDD 2000	2000	11,450	3008297
IDD 3000	3000	16,650	3030392



- Please indicate the order code in your orders.
- Please contact us for your orders with customized sizes.

ELECTRO-MECHANICAL SUPPORT AND SUSPENSION SYSTEMS

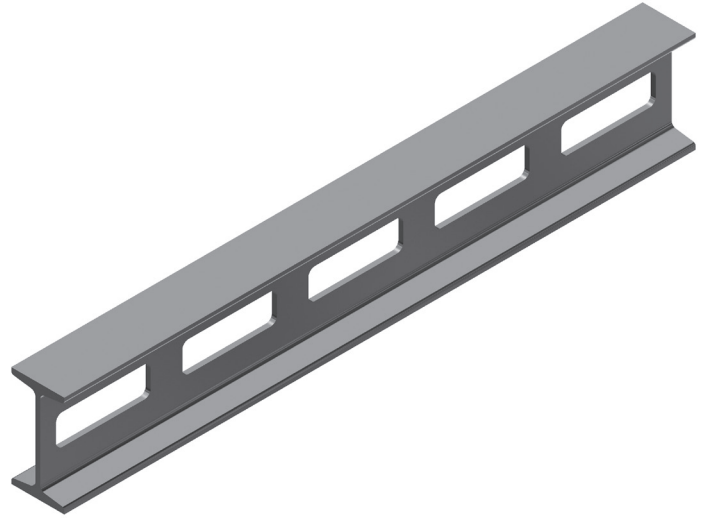
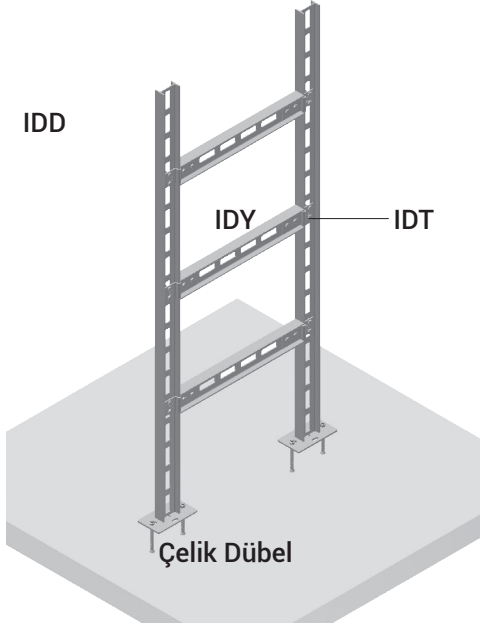
HEAVY-DUTY TYPE SUPPORTS

Heavy-duty Type Supports

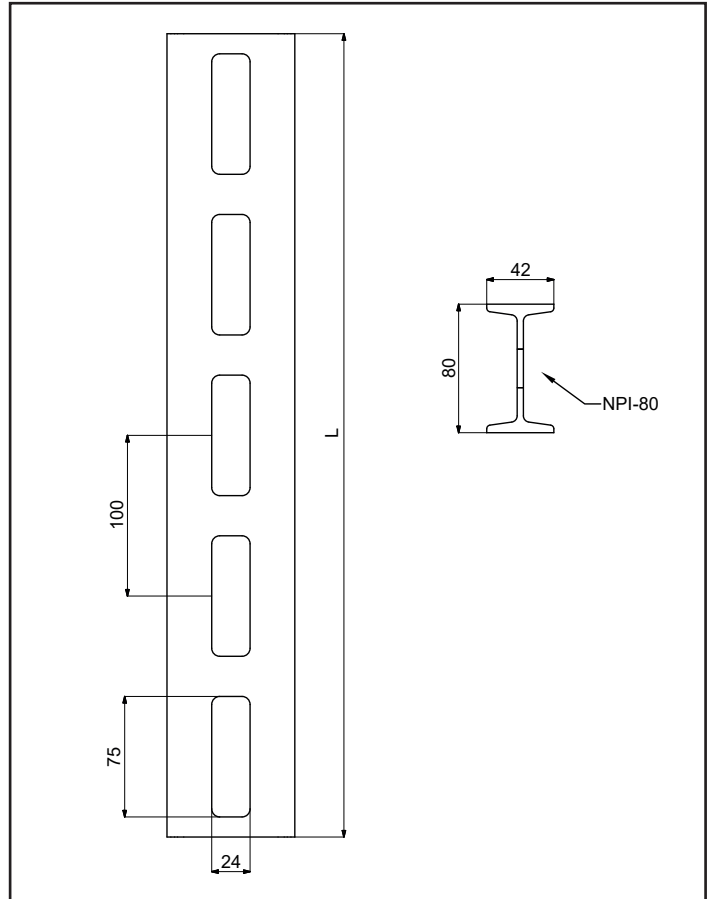
IDY

Used as ceiling assembly part in electro-mechanical installation suspensions.

IDY



Product	Standard Length L (mm)	Hot-Dip Galvanized (TS EN ISO 1461)	
		Weight (kg./pc)	Order Code
IDY 300	300	1,700	3008242
IDY 400	400	2,100	3008290
IDY 500	500	2,600	3008289
IDY 600	600	3,300	3008288
IDY 700	700	3,700	3008287
IDY 800	800	4,200	3008286
IDY 900	900	4,700	3008285
IDY 1000	1000	5,300	3008284
IDY 1100	1100	5,700	3008283
IDY 1200	1200	6,200	3008282
IDY 1300	1300	6,900	3008236
IDY 1400	1400	7,300	3008281
IDY 1500	1500	7,900	3008280
IDY 1600	1600	8,500	3008241
IDY 1700	1700	8,900	3008240
IDY 1800	1800	9,400	3008239
IDY 1900	1900	9,900	3008238
IDY 2000	2000	10,500	3008237
IDY 3000	3000	15,700	3030391



- Please indicate the order code in your orders.
- Please contact us for your orders with customized sizes.

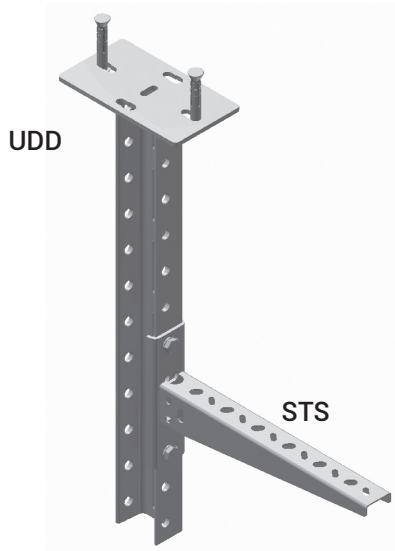
ELECTRO-MECHANICAL SUPPORT AND SUSPENSION SYSTEMS

HEAVY-DUTY TYPE SUPPORTS

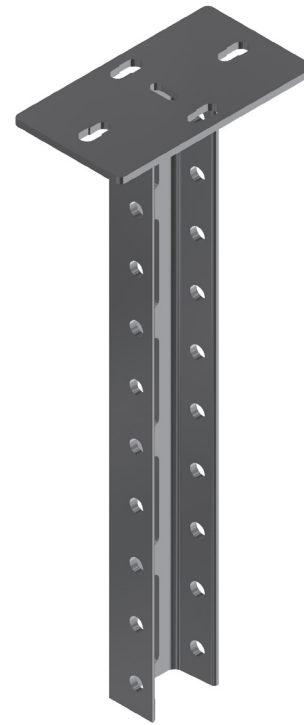
Heavy-duty Type Supports

UDD

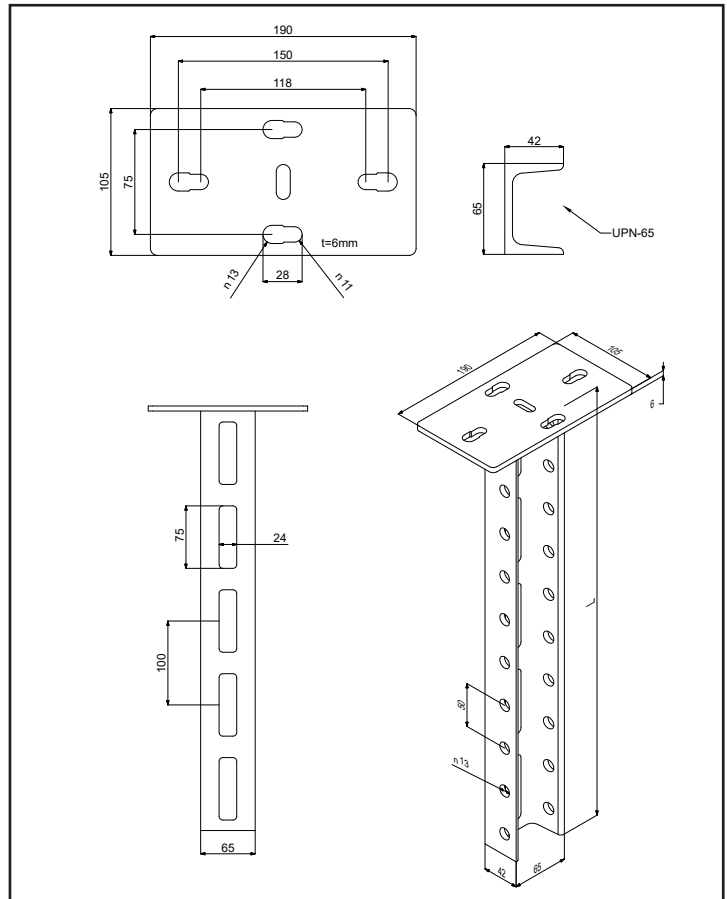
Used as ceiling assembly part in electro-mechanical installation suspensions.



UDD



Product	Standard Length L (mm)	Hot-Dip Galvanized (TS EN ISO 1461)	
		Weight (kg./pc)	Order Code
UDD 300	300	2,750	3007997
UDD 400	400	3,350	3007998
UDD 500	500	3,950	3007999
UDD 600	600	4,550	3008000
UDD 700	700	5,150	3008001
UDD 800	800	5,750	3008002
UDD 900	900	6,350	3008003
UDD 1000	1000	6,950	3008004
UDD 1100	1100	7,550	3008005
UDD 1200	1200	8,150	3008006
UDD 1300	1300	8,750	3008007
UDD 1400	1400	9,350	3008008
UDD 1500	1500	9,850	3008009
UDD 1600	1600	10,550	3008010
UDD 1700	1700	11,150	3008011
UDD 1800	1800	11,750	3008012
UDD 1900	1900	12,350	3008013
UDD 2000	2000	12,950	3008014
UDD 3000	3000	16,650	3030392



- Please indicate the order code in your orders.
- Please contact us for your orders with customized sizes.

ELECTRO-MECHANICAL SUPPORT AND SUSPENSION SYSTEMS

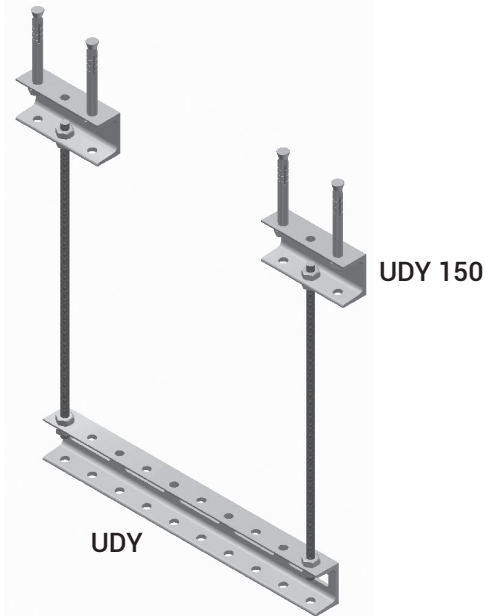
HEAVY-DUTY TYPE SUPPORTS

Heavy-duty Type Supports

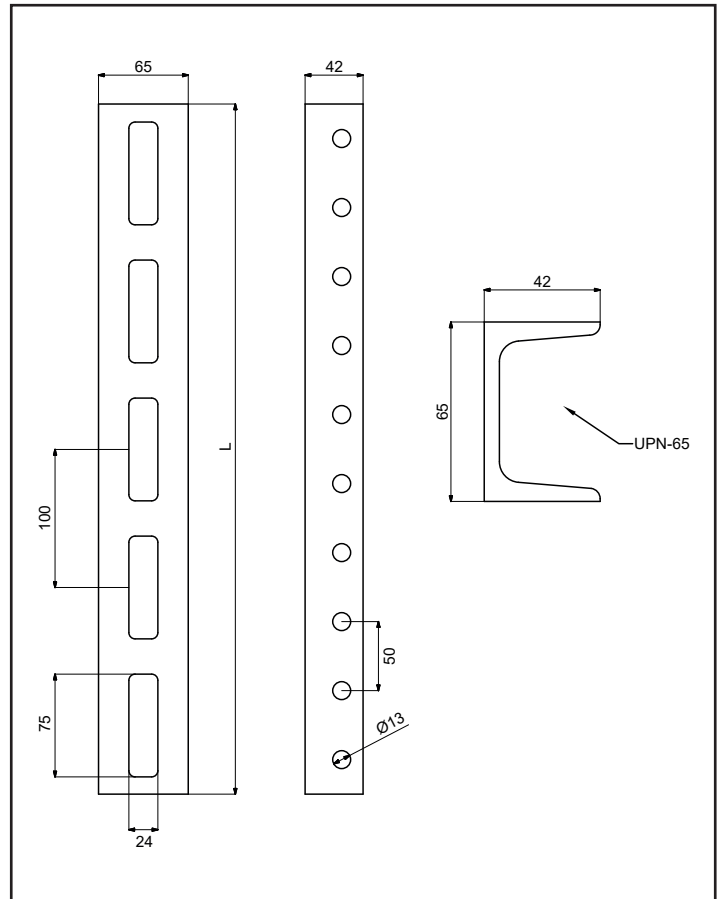
UDY

Used as ceiling assembly part in electro-mechanical installation suspensions.

UDY



Product	Standard Length L (mm)	Hot-Dip Galvanized (TS EN ISO 1461)	
		Weight (kg./pc)	Order Code
UDY 150	150	0,900	3008376
UDY 300	300	1,800	3008023
UDY 400	400	2,400	3008024
UDY 500	500	3,000	3008025
UDY 600	600	3,600	3008026
UDY 700	700	4,200	3008027
UDY 800	800	4,800	3008028
UDY 900	900	5,400	3008029
UDY 1000	1000	6,000	3008030
UDY 1100	1100	6,600	3008031
UDY 1200	1200	7,200	3008032
UDY 1300	1300	7,800	3008033
UDY 1400	1400	8,400	3008034
UDY 1500	1500	8,900	3008035
UDY 1600	1600	9,600	3008036
UDY 1700	1700	10,200	3008037
UDY 1800	1800	10,800	3008038
UDY 1900	1900	11,400	3008039
UDY 2000	2000	12,000	3008040



- Please indicate the order code in your orders.
- Please contact us for your orders with customized sizes.

ELECTRO-MECHANICAL SUPPORT AND SUSPENSION SYSTEMS

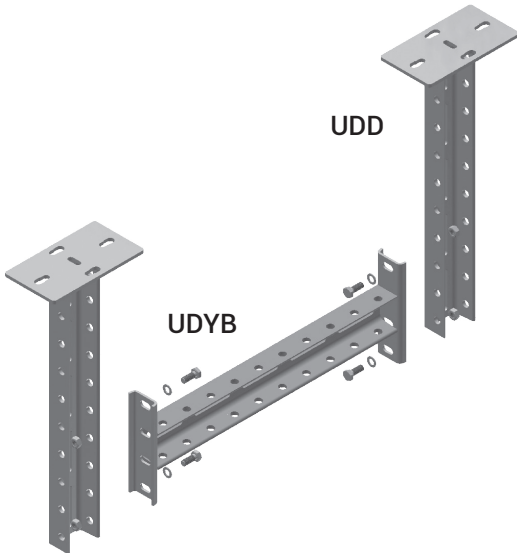
HEAVY-DUTY TYPE SUPPORTS

Heavy-duty Type Supports

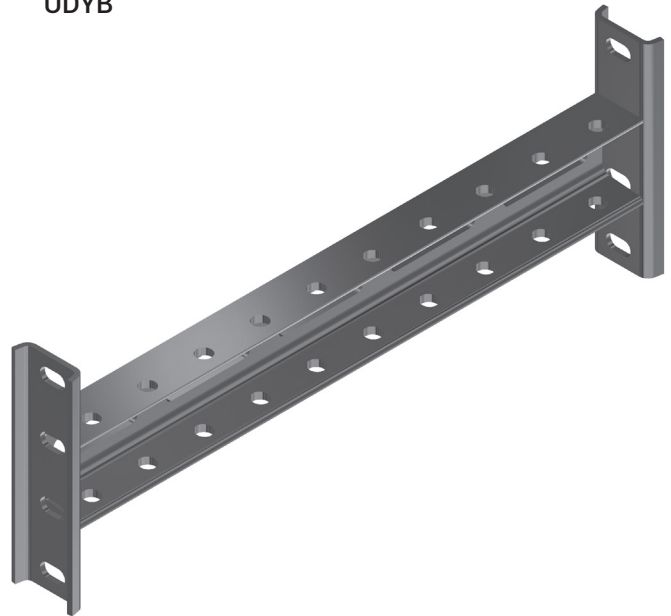
UDYB

Used for multi-purpose suspension, support and anchorage element.

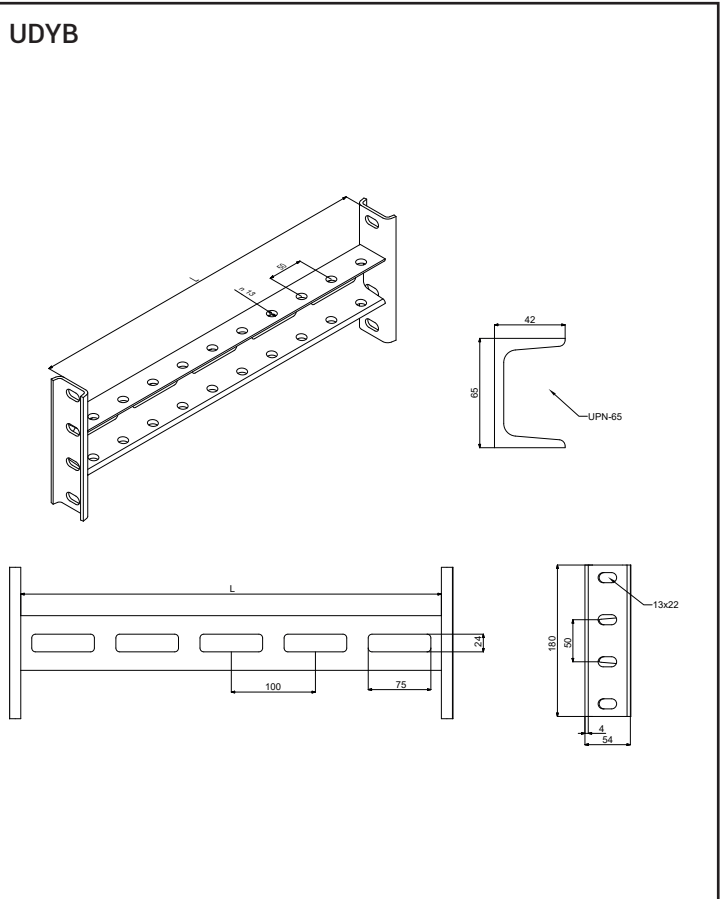
Used for the suspension of electro-mechanical installations.



UDYB



Product	Standard Length L (mm)	Hot-Dip Galvanized (TS EN ISO 1461)	
		Weight (kg./pc)	Order Code
UDYB 300	350	2,866	3007989
UDYB 400	450	3,458	3007990
UDYB 500	550	4,048	3007991
UDYB 600	650	4,640	3007992
UDYB 700	750	5,237	3007993
UDYB 800	850	5,856	3007994
UDYB 900	950	6,433	3007995
UDYB 1000	1050	7,031	3007996



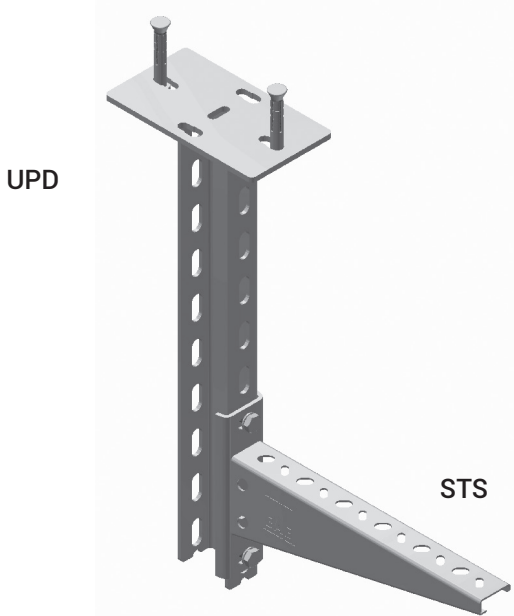
ELECTRO-MECHANICAL SUPPORT AND SUSPENSION SYSTEMS

HEAVY-DUTY TYPE SUPPORTS

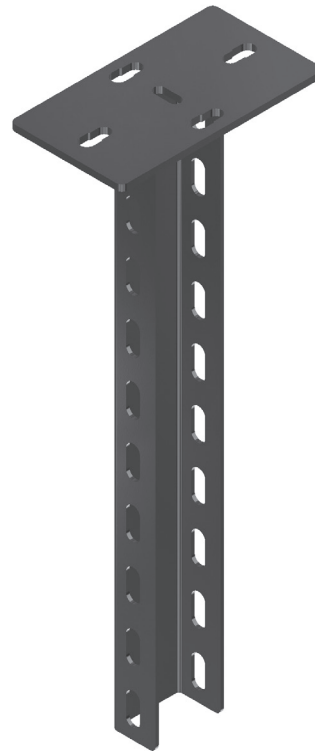
Heavy-duty Type Supports

UPD

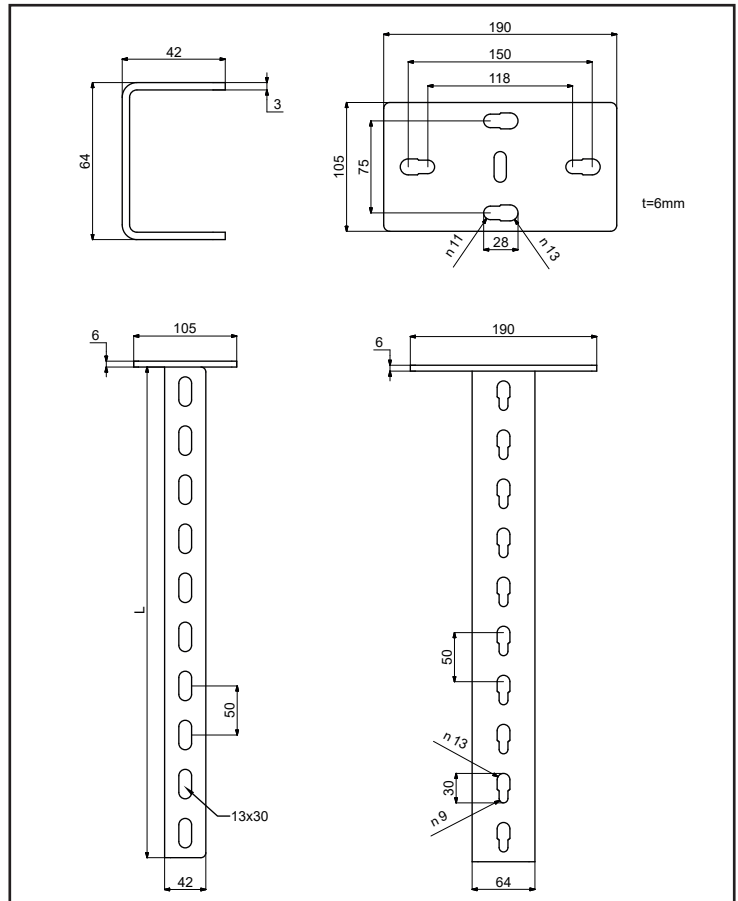
Used as ceiling assembly part in electro-mechanical installation suspensions.



UPD



Product	Standard Length L (mm)	Hot-Dip Galvanized (TS EN ISO 1461)	
		Weight (kg./pc)	Order Code
UPD 300	300	2,101	3004510
UPD 400	400	2,497	3004512
UPD 500	500	2,882	3004514
UPD 600	600	3,267	3004516
UPD 700	700	3,674	3004518
UPD 800	800	4,056	3004519
UPD 900	900	4,451	3004520
UPD 1000	1000	4,837	3004521
UPD 1100	1100	5,226	3004522
UPD 1200	1200	5,610	3004523
UPD 1300	1300	6,006	3004524
UPD 1400	1400	6,391	3004525
UPD 1500	1500	6,787	3004526
UPD 1600	1600	7,172	3004527
UPD 1700	1700	7,570	3004528
UPD 1800	1800	7,960	3004529
UPD 1900	1900	8,349	3004530
UPD 2000	2000	8,741	3004531
UPD 3000	3000	12,645	3030393



ELECTRO-MECHANICAL SUPPORT AND SUSPENSION SYSTEMS

HEAVY-DUTY TYPE SUPPORTS

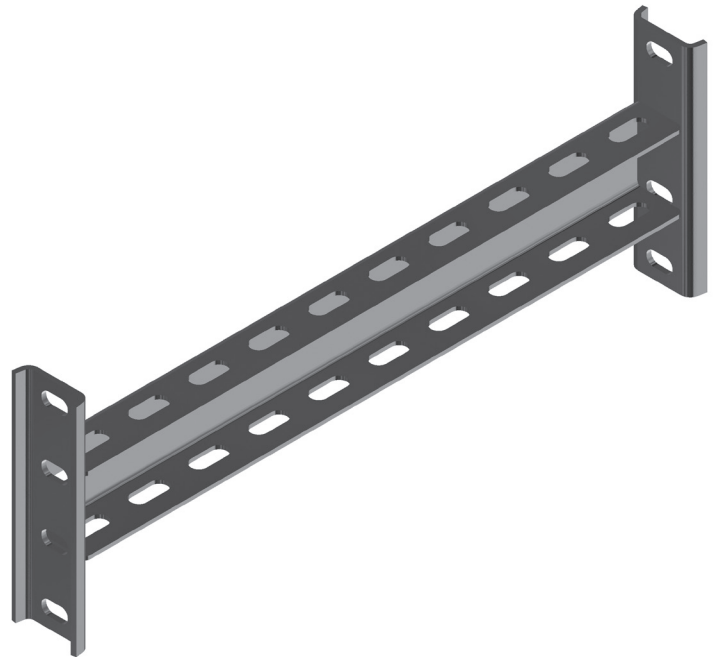
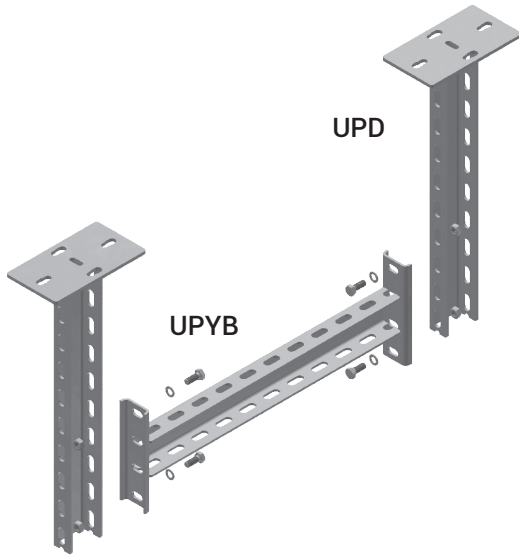
Heavy-duty Type Supports

UPYB

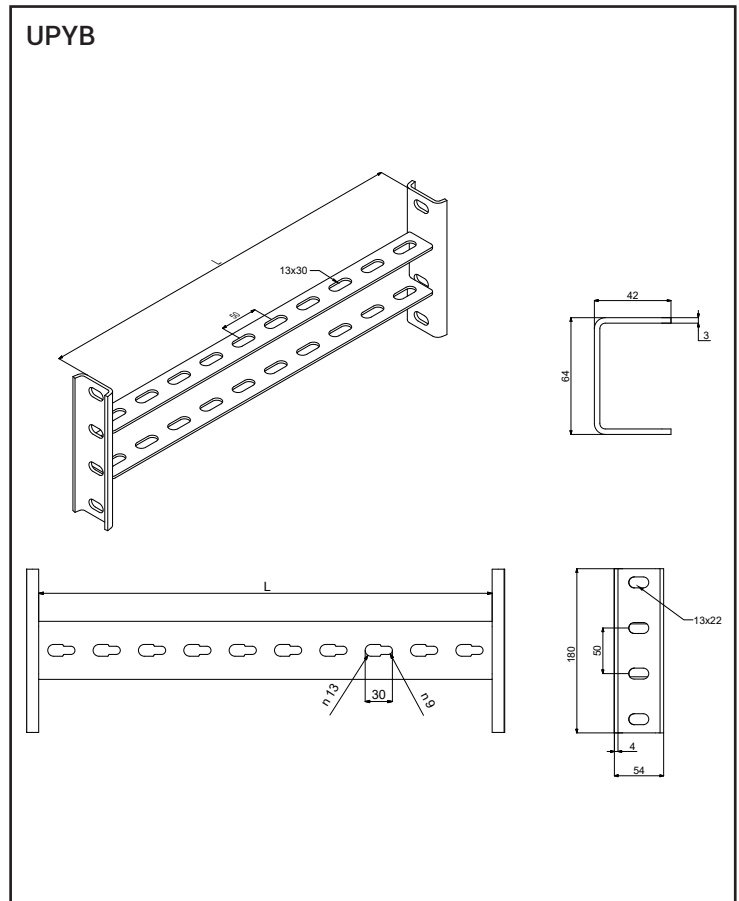
Used for multi-purpose suspension, support and anchorage element.

Used for the suspension of electro-mechanical installations.

UPYB



Product	Standard Length L (mm)	Hot-Dip Galvanized (TS EN ISO 1461)	
		Weight (kg./pc)	Order Code
UPYB 300	350	2,162	3004533
UPYB 400	450	2,567	3004535
UPYB 500	550	2,969	3004537
UPYB 600	650	3,372	3004539
UPYB 700	750	3,773	3004541
UPYB 800	850	4,176	3004542
UPYB 900	950	4,579	3004543
UPYB 1000	1050	4,980	3004544



- Please indicate the order code in your orders.
- Please contact us for your orders with customized sizes.

ELECTRO-MECHANICAL SUPPORT AND SUSPENSION SYSTEMS

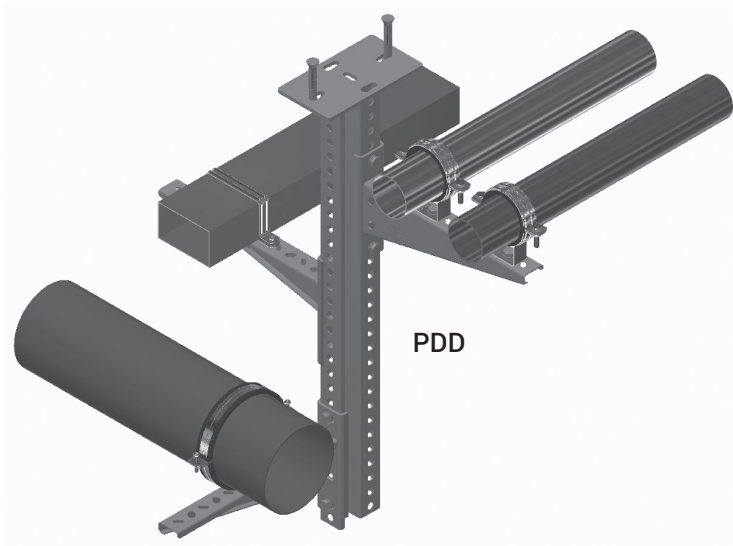
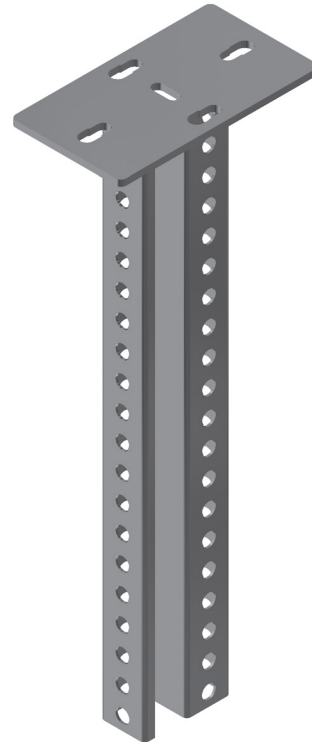
HEAVY-DUTY TYPE SUPPORTS

Heavy-duty Type Supports

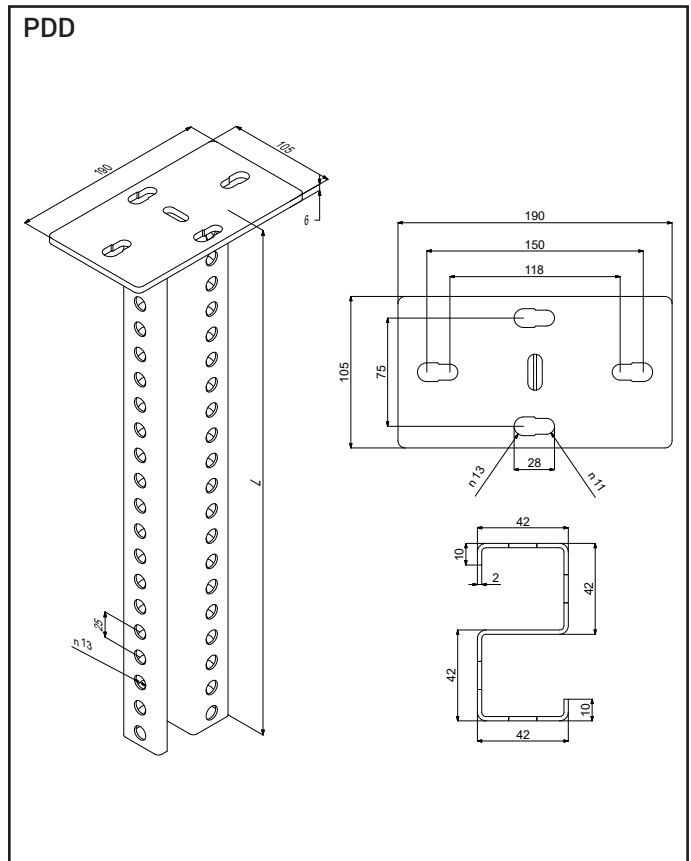
PDD

Used as ceiling assembly part in electro-mechanical installation suspensions.

PDD



Product	Standard Length L (mm)	Thickness (mm)	Hot-Dip Galvanized (TS EN ISO 1461)	
			Weight (kg./pc)	Order Code
PDD 300	300	2	1,909	3007953
PDD 400	400	2	2,230	3007954
PDD 500	500	2	2,553	3007955
PDD 600	600	2	2,871	3007956
PDD 700	700	2	3,518	3007957
PDD 800	800	2	3,841	3007958
PDD 900	900	2	4,160	3007959
PDD 1000	1000	2	4,485	3007960
PDD 1100	1100	2	4,807	3007961
PDD 1200	1200	2	5,129	3007962
PDD 1300	1300	2	5,451	3007963
PDD 1400	1400	2	5,773	3007964
PDD 1500	1500	2	6,093	3007965
PDD 1600	1600	2	6,421	3007966
PDD 1700	1700	2	6,737	3007967
PDD 1800	1800	2	7,059	3007968
PDD 1900	1900	2	7,381	3007969
PDD 2000	2000	2	7,703	3007970



- Please indicate the order code in your orders.
- Please contact us for your orders with customized sizes.

ELECTRO-MECHANICAL SUPPORT AND SUSPENSION SYSTEMS

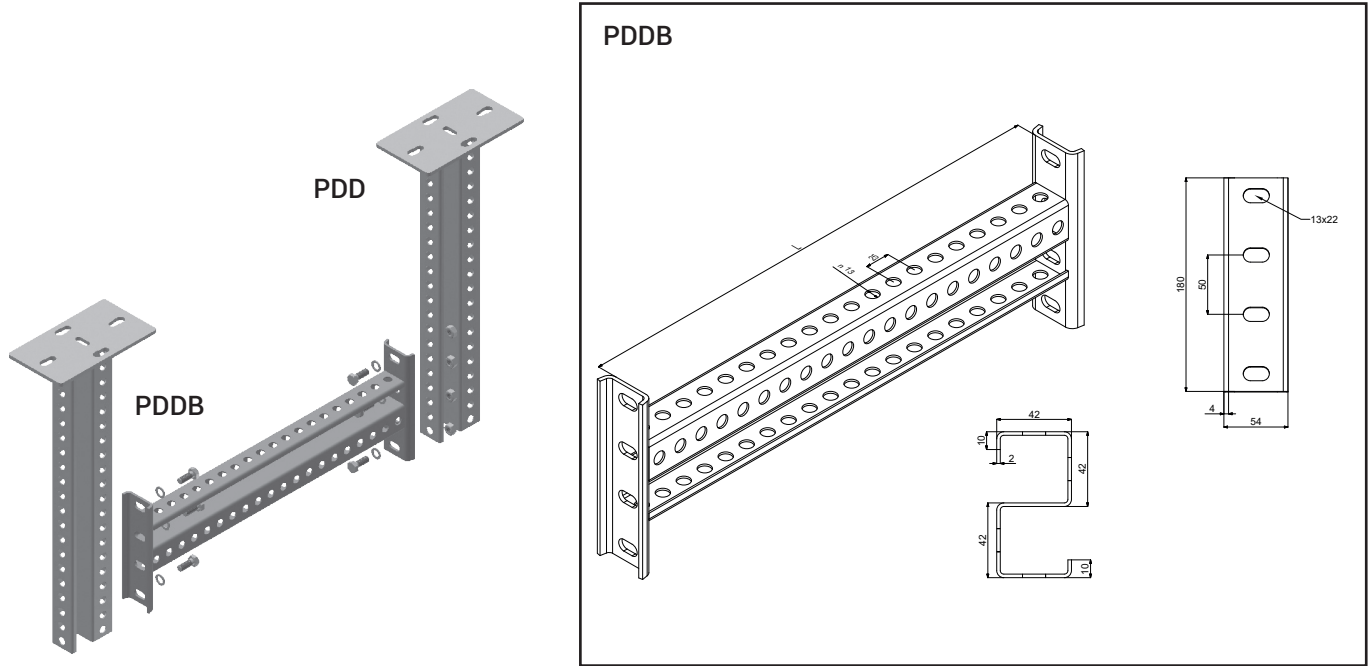
HEAVY-DUTY TYPE SUPPORTS

Heavy-duty Type Supports

PDDB

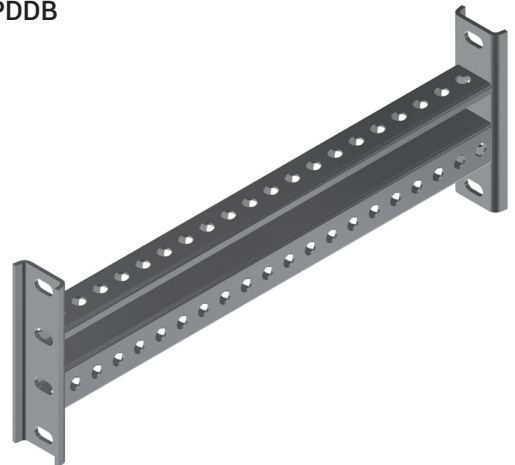
Used for multi-purpose suspension, support and anchorage element.

Used for the suspension of electro-mechanical installations.



Product	Standard Length L (mm)	Profile Thickness (mm)	Rear Sheet Thickness (mm)	Hot-Dip Galvanized (TS EN ISO 1461)	
				Weight (kg./pc)	Order Code
PDDB 300	350	2	4	1,898	3007971
PDDB 400	450	2	4	2,226	3007972
PDDB 500	550	2	4	2,552	3007973
PDDB 600	650	2	4	2,879	3007974
PDDB 700	750	2	4	3,207	3007975
PDDB 800	850	2	4	3,534	3007976
PDDB 900	950	2	4	3,861	3007977
PDDB 1000	1050	2	4	4,188	3007978

PDDB



- Please indicate the order code in your orders.
- Please contact us for your orders with customized sizes.

ELECTRO-MECHANICAL SUPPORT AND SUSPENSION SYSTEMS

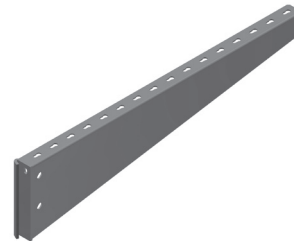
HEAVY-DUTY TYPE SUPPORTS

Heavy-duty Type Supports

A-STK, A-STS, A-STS-D

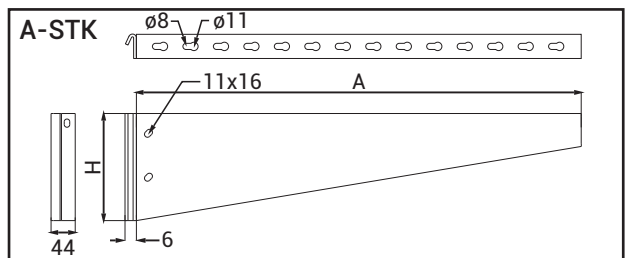
Used for multi-purpose suspension, support and anchorage element.

A-STK HEAVY-DUTY TYPE SUPPORTS				Hot-Dip Galvanized (TS EN ISO 1461)	
Product	A (mm)	H (mm)	T (mm)	Weight (kg./pc)	Order Code
A-STK 200	210	90	3	1,463	3108826
A-STK 300	310	110	3	2,002	3108827
A-STK 400	410	130	3	2,627	3108828
A-STK 500	510	145	3	3,254	3108829
A-STK 600	610	165	3	3,904	3108830
A-STK 700	710	195	3	4,897	3108831
A-STK 800	810	195	3	5,398	3108832
A-STK 900	910	195	3	5,900	3108833
A-STK 1000	1010	195	3	6,401	3108834

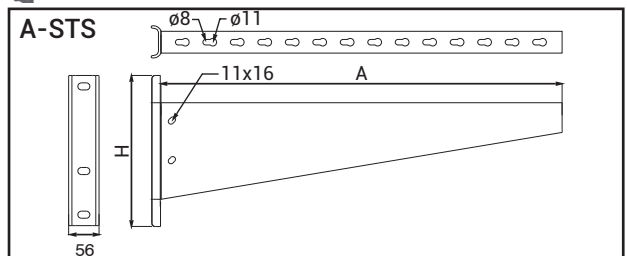
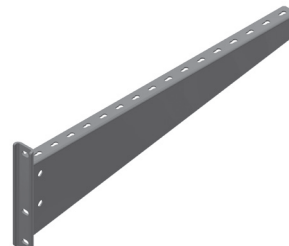


A-STK Bolt Set:

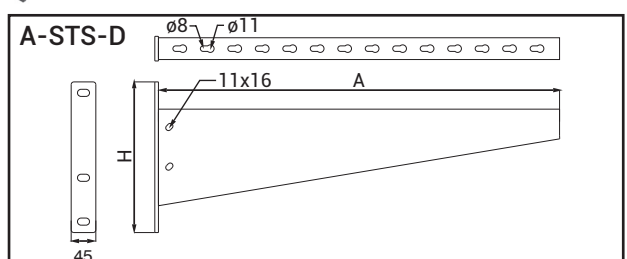
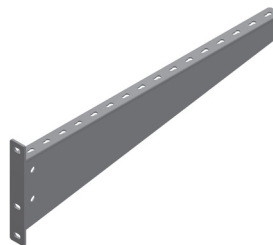
- 2 pcs. M10x30 Bolt,
- 2 pcs. M10 Nut,
- 2 pcs. M10 Washer,
- 2 pcs. M10 Distance Ring,
- and 1 pc. Tab material.



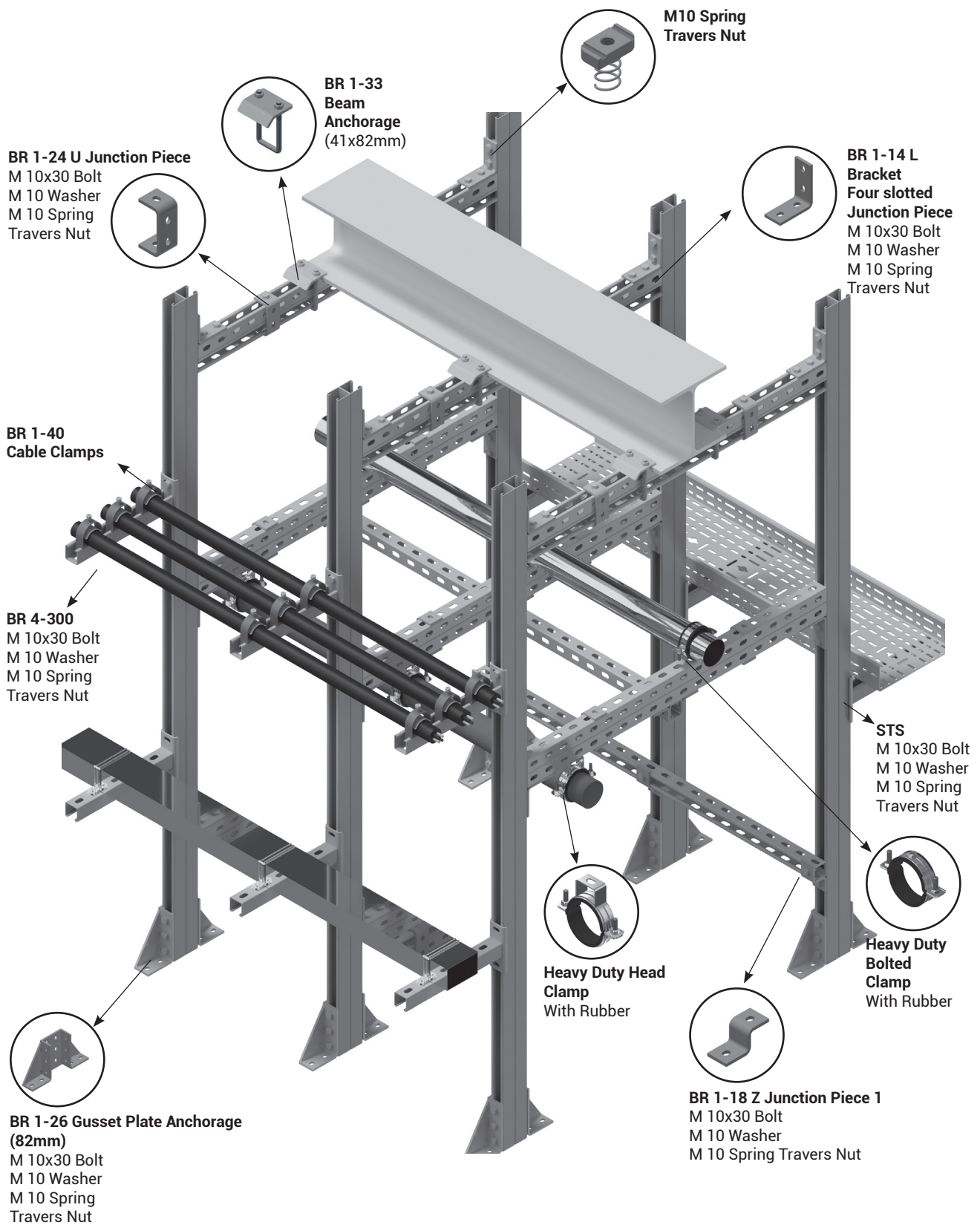
A-STS HEAVY-DUTY TYPE SUPPORTS				Hot-Dip Galvanized (TS EN ISO 1461)	
Product	A (mm)	H (mm)	T (mm)	Weight (kg./pc)	Order Code
A-STS 210	210	190	3	1,362	3108835
A-STS 310	310	190	3	1,799	3108836
A-STS 410	410	240	3	2,459	3108837
A-STS 510	510	240	3	2,965	3108838
A-STS 610	610	240	3	3,550	3108839
A-STS 710	710	290	3	4,545	3108840
A-STS 810	810	290	3	5,046	3108841
A-STS 910	910	290	3	5,548	3108842
A-STS 1010	1010	290	3	6,050	3108843



A-STS-D HEAVY-DUTY TYPE SUPPORTS				Hot-Dip Galvanized (TS EN ISO 1461)	
Product	A (mm)	H (mm)	T (mm)	Weight (kg./pc)	Order Code
A-STS-D 210	210	190	3	1,149	3109007
A-STS-D 310	310	190	3	1,586	3109008
A-STS-D 410	410	240	3	2,190	3109009
A-STS-D 510	510	240	3	2,869	3109010
A-STS-D 610	610	240	3	3,455	3109011
A-STS-D 710	710	290	3	4,431	3109012
A-STS-D 810	810	290	3	4,933	3109013
A-STS-D 910	910	290	3	5,435	3109014
A-STS-D 1010	1010	290	3	5,936	3109015



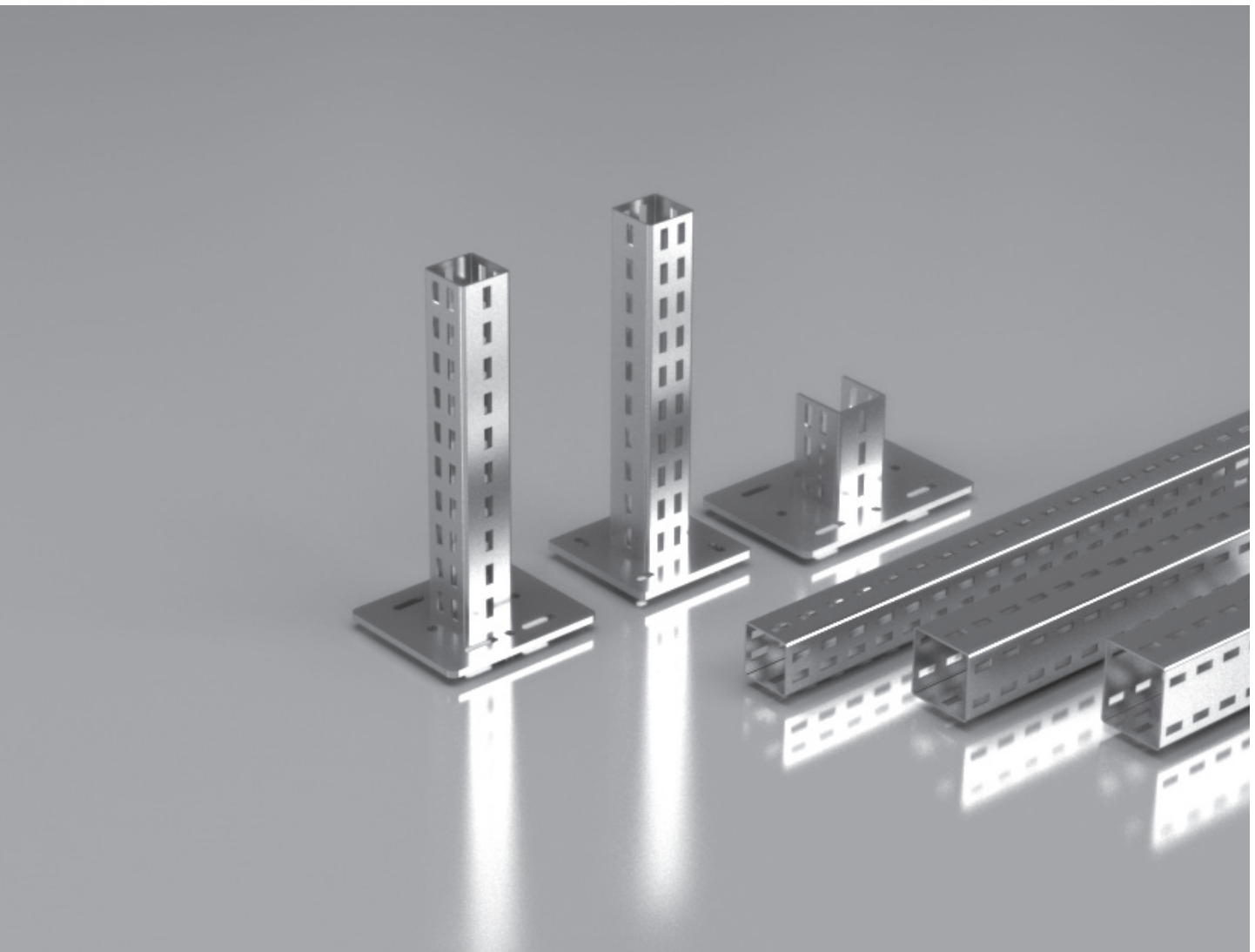
- Please indicate the order code in your orders.
- Please contact us for your orders with customized sizes.



- Please indicate the order code in your orders.
- Please contact us for your orders with customized sizes.



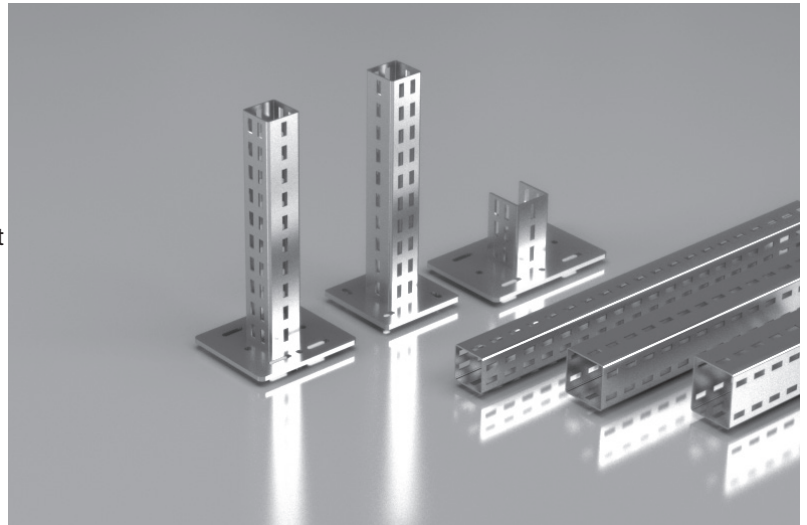
INDUSTRIAL BUILD PROFILE



ELECTRO-MECHANICAL SUPPORT AND SUSPENSION SYSTEMS

INDUSTRIAL BUILD PROFILE:

Industrial build profiles are manufactured with high technology assembly lines, monitored based on project details and provided in lengths and dimensions with the requested drilling, cutting without burrs at dimensions and axis, exclusive package for persons and institutions. These profiles designed in align with the fully automated and high capacity assembly lines, the profiles can be drilled at any point thanks to uploading the 3D drawings.



Industrial Build Profile

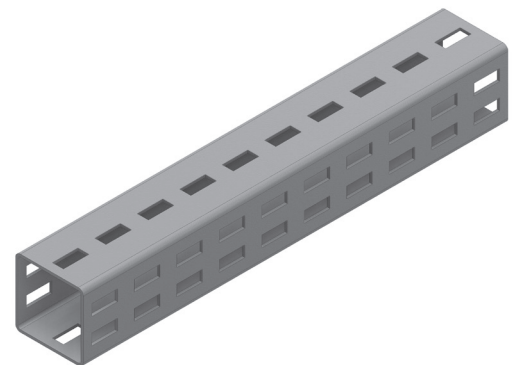
Industrial build profile products may be utilized in heavy and light service type steel construction systems, industrial construction sector and energy sector. Industrial build profiles are preferred as support or auxiliary elements in industrial structures and steel buildings.

Coating and mechanical preferences may be applied with material features compliant with exclusively designed projects. Based on the weight of the system that will be supported or suspended specified in the project design, a suitable product option may be offered. Furthermore the materials are treated with hot dip galvanizing process to increase their resistance against corrosion.

Industrial build profiles have a very high load bearing capacity and therefore offer material and price advantage up to 40% compared to builds that are manufactured with heavy steel materials. In addition the high production speed, short deadlines, convenient shipping and mounting, it ensures steel construction to be more reliable, faster and affordable.

Industrial build profiles can be installed easily and rapidly in electromechanics suspension systems without the need for any welding.

Since the support systems do not face with deterioration, it offers a more reliable and preferred system. Modular build systems are suitable especially for countries that have fault lines and are prone to natural disasters. Furthermore its modular structure; long service time thanks to its hot dip galvanized process and short workmanship.



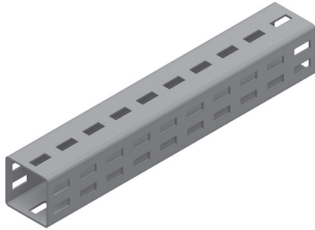
ELECTRO-MECHANICAL SUPPORT AND SUSPENSION SYSTEMS

INDUSTRIAL BUILD PROFILE

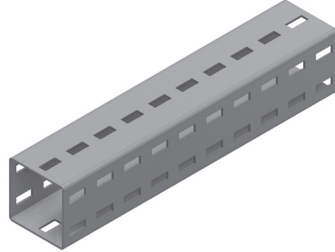
Industrial, Modular Build Profile Carriers

KP

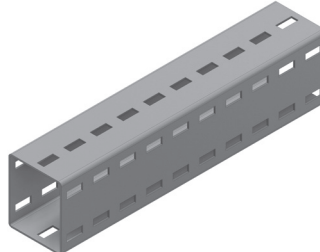
KP 80x80



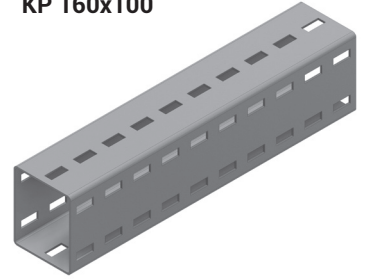
KP 100x100



KP 120x100



KP 160x100



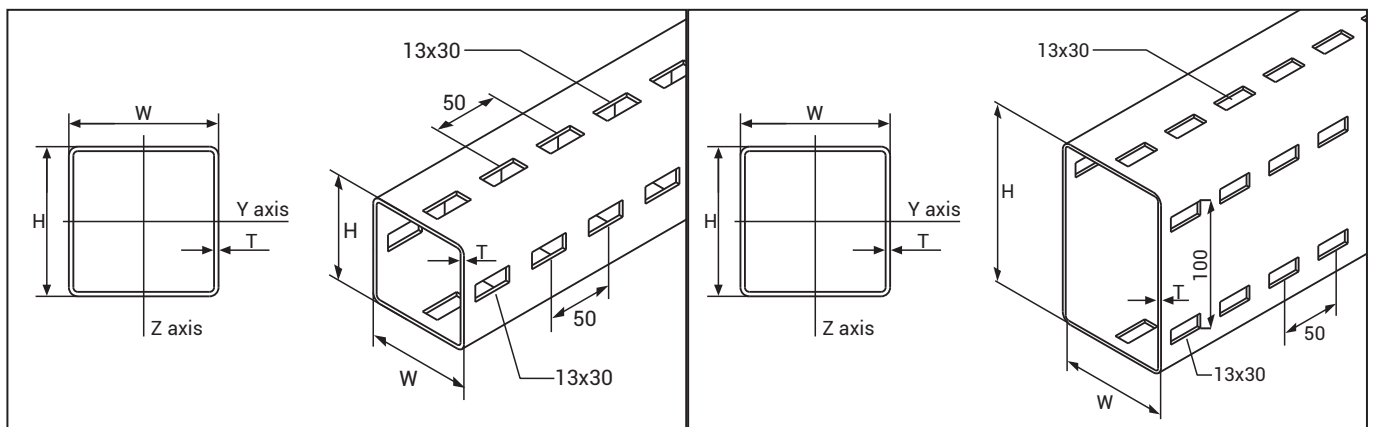
System Features:

- Industrial, heavy duty rigid box profile
- 4 surfaces with 13x30 mm porous, all surfaces may be used
- Rapid mounting with connections and accessories

Technical Information:

- Material: Steel
- Surface: Hot-Dip Galvanized EN ISO 1461

Product	Thickness T (mm)	Height H (mm)	Width W (mm)	Standard Length L (mm)	Hole Sizes (mm)	Hot-Dip Galvanized (TS EN ISO 1461)	
						Weight (kg./m.)	Order Code
KP 80x80 PROFILE	3	80	80	6000	13x30	6,970	3134612
	4	80	80	6000	13x30	9,066	
KP 100x100 PROFILE	3	100	100	6000	13x30	9,043	3134613
	4	100	100	6000	13x30	11,829	
KP 120x100 PROFILE	3	120	100	6000	13x30	10,078	3134614
	4	120	100	6000	13x30	13,201	
KP 160x100 PROFILE	3	160	100	8000	13x30	11,944	3134614

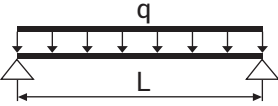
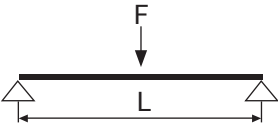


- Please indicate the order code in your orders.
- Please contact us for your orders with customized sizes.
- After being cut in desired sizes, the part, which is cut in accordance with the coating procedure, shall be coated with Zinga paint. (Please see: Page 132)

INDUSTRIAL BUILD PROFILE

Industrial, Modular Build Profile Carriers

Safe Working Load

		80x80x3	80x80x4	100x100x3	100x100x4	120x100x3	120x100x4
Thickness	t (mm)	3,00	4,00	3,00	4,00	3,00	4,00
Cross Sectional Area	A (cm ²)	9,00	11,74	11,40	14,94	12,60	16,54
Monemt Of Inertia	I _{yy} (cm ⁴)	79,05	99,93	159,30	203,71	244,14	313,58
Monemt Of Inertia	I _{zz} (cm ⁴)	79,05	99,93	159,30	203,71	185,23	236,90
Section Modulus	W _{yy} (cm ³)	19,76	24,98	31,86	40,74	40,69	52,26
Section Modulus	W _{zz} (cm ³)	19,76	24,98	31,86	40,74	37,04	47,38
Radius of gyration	r _{yy} (cm)	3,12	3,07	3,93	3,89	4,63	4,58
Radius of gyration	r _{zz} (cm)	3,12	3,07	3,93	3,89	4,63	3,98
Uniformly Distributed Load							
	L (mm)	q (kN)	q (kN)	q (kN)	q (kN)	q (kN)	q (kN)
	1500	16,00	20,00	25,60	32,00	32,00	41,60
	2000	12,00	15,00	19,20	24,00	24,00	31,20
	2500	9,60	12,00	15,36	19,20	19,20	24,96
	3000	7,10	8,96	12,80	16,00	16,00	20,80
	3500	5,26	6,58	10,53	13,16	13,71	17,82
	4000	4,03	5,04	8,06	10,28	12,00	15,60
	4500	3,18	3,98	6,37	7,96	9,55	12,34
	5000	2,58	3,22	5,16	6,45	7,74	9,99
	5500	2,13	2,66	4,26	5,33	6,39	8,26
	6000	1,79	2,24	3,58	4,48	5,37	6,94
Point Load							
	L (mm)	F (kN)	F (kN)	F (kN)	F (kN)	F (kN)	F (kN)
	1500	8,00	10,00	12,80	16,00	16,00	20,80
	2000	6,00	7,50	9,60	12,00	12,00	15,60
	2500	4,80	6,00	7,68	9,60	9,60	12,48
	3000	4,00	5,00	6,40	8,00	8,00	10,40
	3500	3,29	4,11	5,48	6,85	6,85	8,91
	4000	2,52	3,15	4,80	6,00	6,00	7,80
	4500	1,99	2,48	3,98	4,97	5,33	6,93
	5000	1,61	2,16	3,22	4,03	4,80	6,24
	5500	1,33	1,66	2,66	3,33	3,99	5,16
	6000	1,12	1,40	2,24	2,80	3,36	4,34

INDUSTRIAL BUILD PROFILE

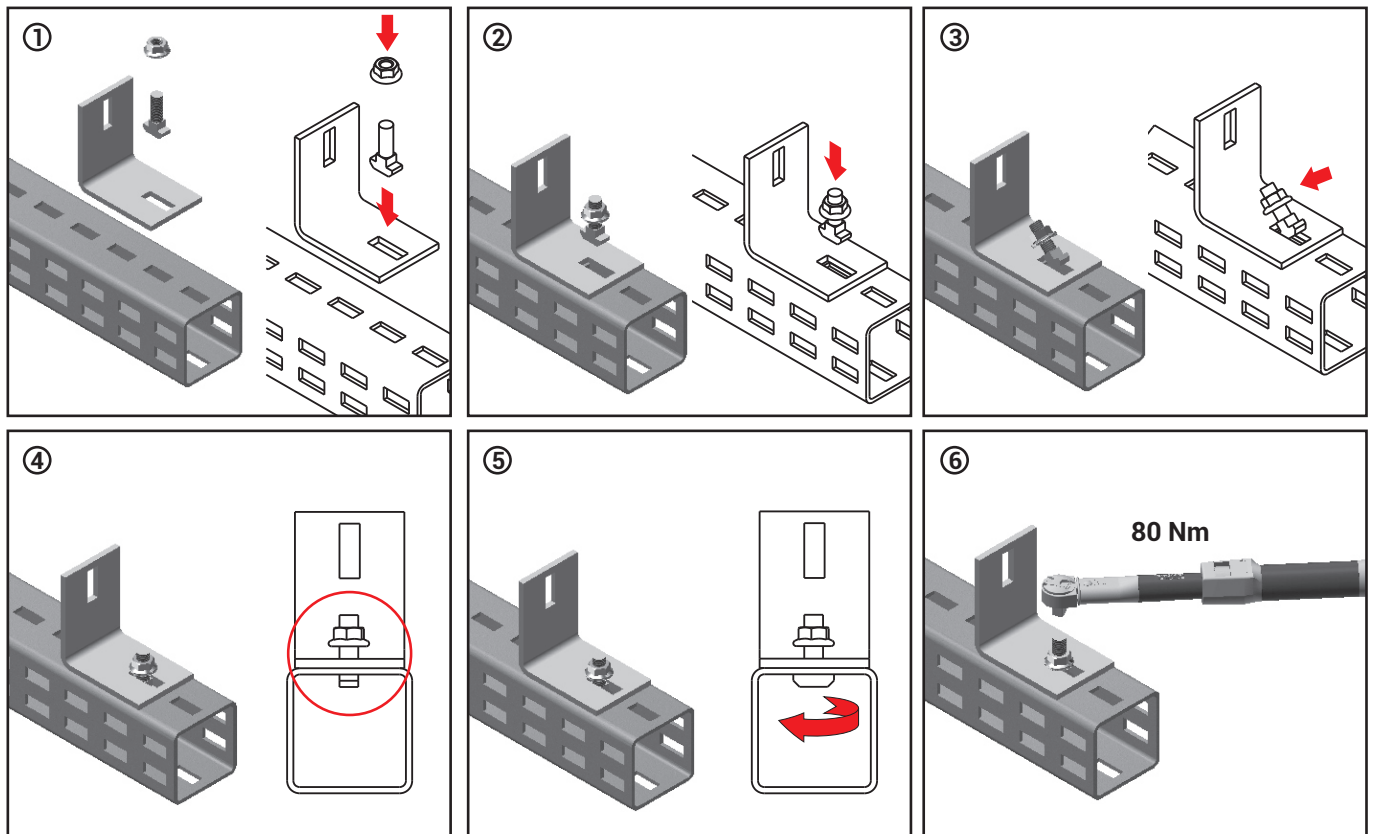
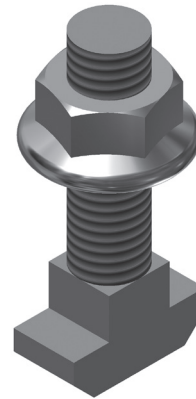
Connection Bolts

KP

M12x40 T-Head Bolt Set

Hex.Head Bolt Set

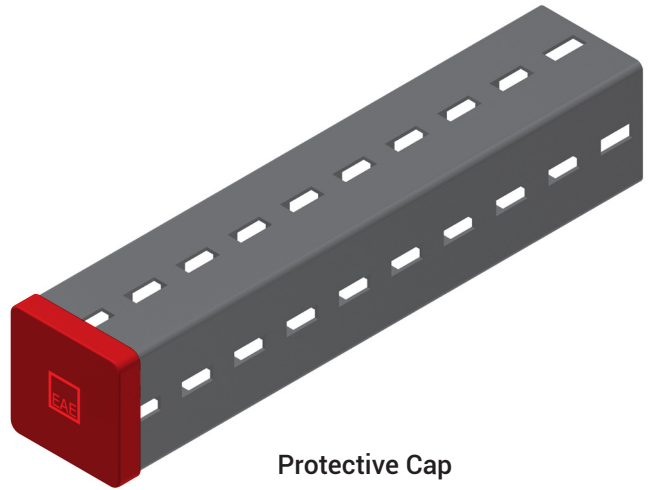
Product	Thickness (mm)	Hot-Dip Galvanized (TS EN ISO 1461)	
		Weight (kg./pc.)	Order Code
M12x40 T-Head Bolt Set	40	0,034	1021641
M12x100 Hex.Head Bolt Set	100	0,135	1021637
M12x120 Hex.Head Bolt Set	120	0,152	1021638
M12x140 Hex.Head Bolt Set	140	0,170	1021639
M12x150 Hex.Head Bolt Set	150	0,179	1021640
M12 Flat Washer	-	-	1000505
M12 Hex.Head Nut	-	-	1000964



- Please indicate the order code in your orders.
- Please contact us for your orders with customized sizes.

INDUSTRIAL BUILD PROFILE

Protective Cap



Protective Cap

System Features:

- Plastic material
- Industrial service type profile protective cap

Product	Weight (kg./pc.)	Order Code
KP PROTECTIVE CAP (80x80)	0,024	1021634
KP PROTECTIVE CAP (100x100)	0,034	1021635
KP PROTECTIVE CAP (120x100)	0,039	1021636



80x80



100x100



120x100

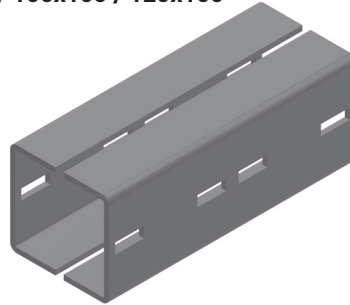
- Please indicate the order code in your orders.
- Please contact us for your orders with customized sizes.

INDUSTRIAL BUILD PROFILE

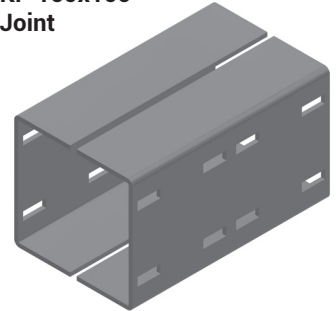
Joint

KP

**KP 80x80 / 100x100 / 120x100
Joint**



**KP 160x100
Joint**



System Features:

- Function: Used to connect profiles
- Accessories: The bolt sets are sold separately

Technical Information:

- Material: Steel
- Surface: Hot-Dip Galvanized EN ISO 1461

Product	Required Bolt Type and Qty	Thickness T (mm)	Height H (mm)	Width W (mm)	Standard Length L (mm)	Hole Sizes (mm)	Hot-Dip Galvanized (TS EN ISO 1461)	
							Weight (kg./pc.)	Order Code
80x80 KP JOINT	4 pc. M12x120	6	94	90	300	13x35	5,025	3134618
100x100 KP JOINT	4 pc. M12x140	6	114	100	300	13x35	6,233	3134619
120x100 KP JOINT	4 pc. M12x140	6	134	110	300	13x35	6,890	3134620
160x100 KP JOINT	8 pc. M12x140	6	174	110	300	13x35	9,790	3136588

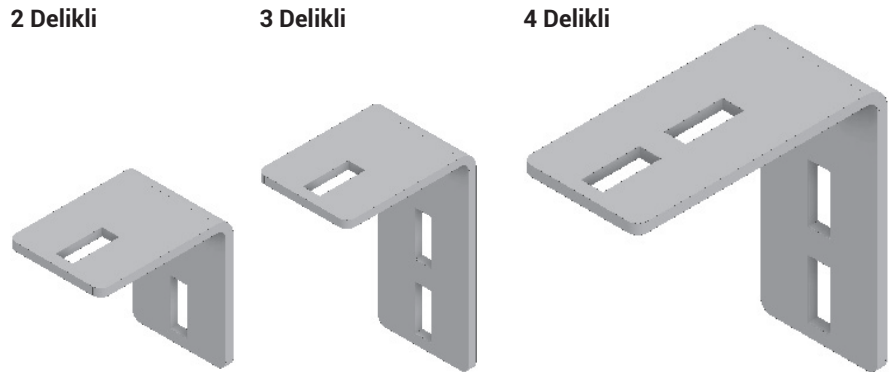
80x80 100x100 120x100		
160x100	<p>3mm- 4mm</p>	<p>3mm</p>

- Please indicate the order code in your orders.
- Please contact us for your orders with customized sizes.

ELECTRO-MECHANICAL SUPPORT AND SUSPENSION SYSTEMS

INDUSTRIAL BUILD PROFILE

L Elbow Connection Parts

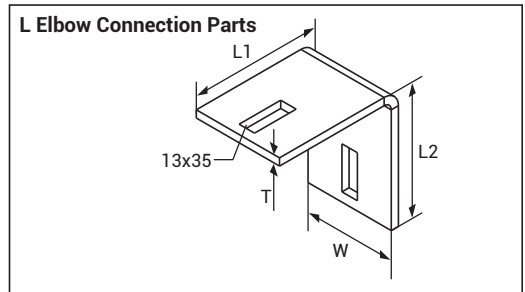


System Features:

- Function: Profile corner fixing
- Accessories: The bolt sets are sold separately

Technical Information:

- Material: Steel
- Surface: Hot-Dip Galvanized EN ISO 1461



Product	Required Bolt Type and Qty	Thickness		Width	Hole Sizes	Hot-Dip Galvanized (TS EN ISO 1461)		
		T (mm)	L1 (mm)			L2 (mm)	Weight (kg./pc.)	Order Code
KP 80x80 L ELBOW CONNECTION (2 Holes)	2 sets with T-head	100	6	100	70	13x35	0,642	3134626
KP 80x80 L ELBOW CONNECTION (3 Holes)	3 sets with T-head	150	6	100	70	13x35	0,800	3134627
KP 80x80 L ELBOW CONNECTION (4 Holes)	4 sets with T-head	150	6	150	70	13x35	0,958	3134628
KP (100x100) (120x100)L ELBOW CON.(2 Holes)	2 sets with T-head	100	6	100	90	13x35	0,839	3134629
KP (100x100) (120x100)L ELBOW CON.(3 Holes)	3 sets with T-head	150	6	100	90	13x35	1,049	3134630
KP (100x100) (120x100)L ELBOW CON.(4 Holes)	4 sets with T-head	150	6	150	90	13x35	1,258	3134631



- Please indicate the order code in your orders.
- Please contact us for your orders with customized sizes.

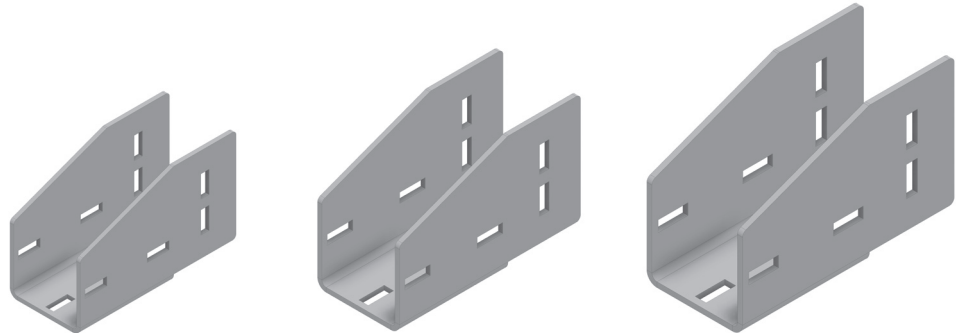
INDUSTRIAL BUILD PROFILE

Corner Fixing Joint

80x80

100x100

120x100

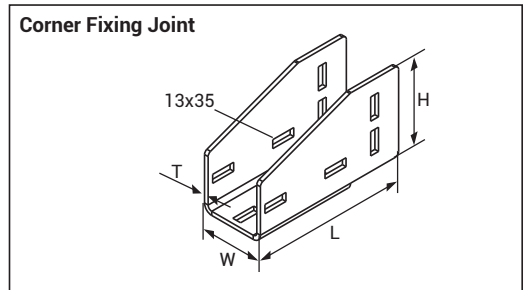


System Features:

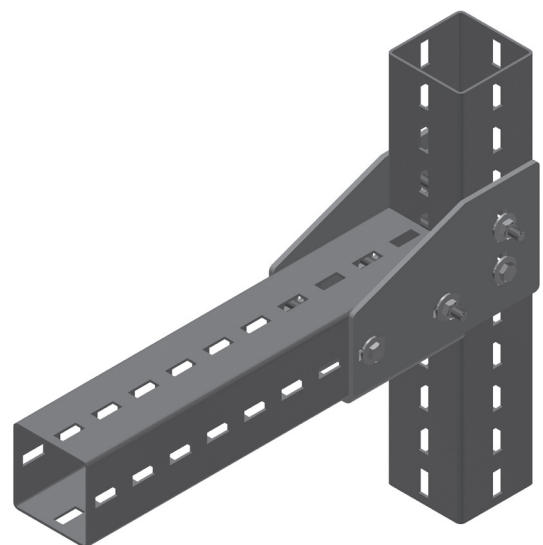
- Function: Profile corner fixing
- Accessories: The bolt sets are sold separately

Technical Information:

- Material: Steel
- Surface: Hot-Dip Galvanized EN ISO 1461



Product	Required Bolt Type and Qty	Thickness			Width		Hole Sizes (mm)	Hot-Dip Galvanized (TS EN ISO 1461)	
	Hex.Head	T (mm)	L1 (mm)	H (mm)	W (mm)	Weight (kg./pc.)		Order Code	
KP 80x80 Corner Fixing Joint	4 pc. M12x120	6	230	130	93	13x35	3,181	3134632	
KP 100x100 Corner Fixing Joint	4 pc. M12x140	6	250	150	113	13x35	4,124	3134633	
KP 120x100 Corner Fixing Joint	4 pc. M12x140	6	270	170	113	13x35	4,995	3134634	



- Please indicate the order code in your orders.
- Please contact us for your orders with customized sizes.

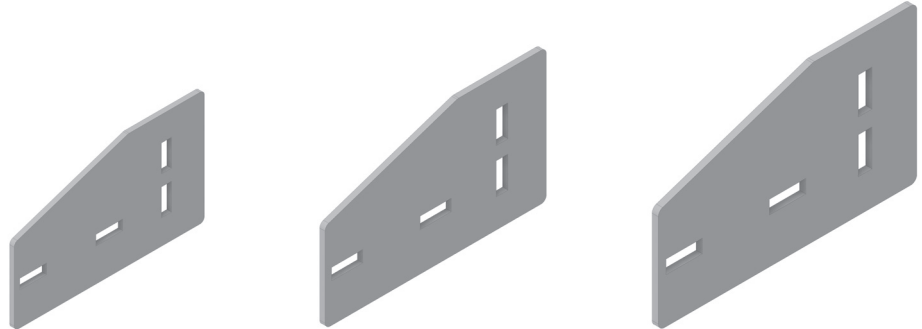
INDUSTRIAL BUILD PROFILE

L Elbow Connection Parts

80x80

100x100

120x100



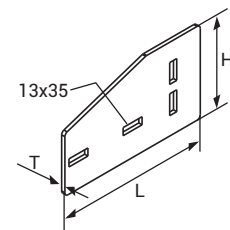
System Features

- Function: Profile corner joint Shall be mounted on two facing surfaces! Shall not be mounted on a single surface!
- Accessories: The bolt sets are sold separately

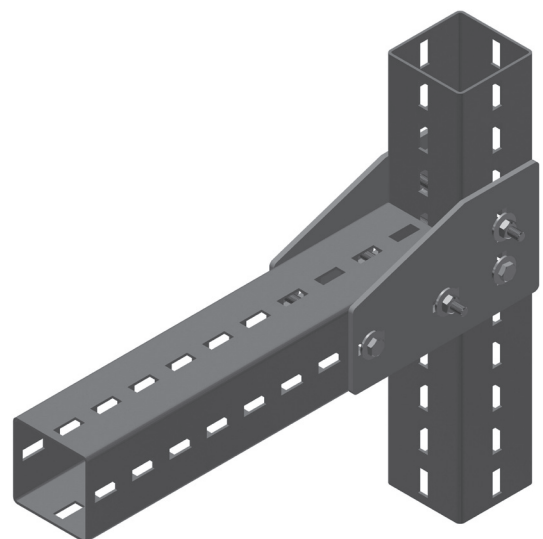
Technical Information

- Material: Steel
- Surface: Hot-Dip Galvanized EN ISO 1461

Corner Fixing Plate-Horizontal



Product	Required Bolt Type and Qty	Thickness		L1 (mm)	H (mm)	Width W (mm)	Hole Sizes (mm)	Hot-Dip Galvanized (TS EN ISO 1461)	
	Hex.Head	T (mm)	L1 (mm)					Weight (kg./pc.)	Order Code
KP 80x80 Corner Fixing Plate-Horizontal	4 pc. M12x120	6	230	130	93	13x35	1,260	3134635	
KP 100x100 Corner Fixing Plate-Horizontal	4 pc. M12x140	6	250	150	113	13x35	1,653	3134636	
KP 120x100 Corner Fixing Plate-Horizontal	4 pc. M12x140	6	270	200	113	13x35	2,391	3134637	



- Please indicate the order code in your orders.
- Please contact us for your orders with customized sizes.

INDUSTRIAL BUILD PROFILE

Corner Fixing Plate-Vertical

80x80

100x100

120x100



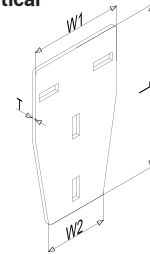
System Features

- Function: Profile corner joint Shall be mounted on two facing surfaces! Shall not be mounted on a single surface!
- Accessories: The bolt sets are sold separately

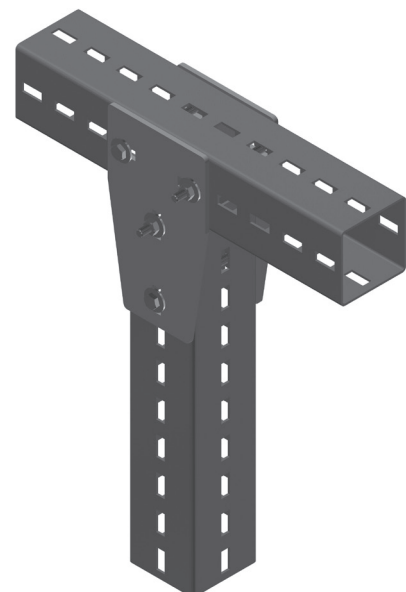
Technical Information

- Material: Steel
- Surface: Hot-Dip Galvanized EN ISO 1461

Corner Fixing Plate-Vertical



Product	Required Bolt Type and Qty	Thickness				Hole Sizes (mm)	Hot-Dip Galvanized (TS EN ISO 1461)	
	Hex.Head	T (mm)	L (mm)	W1 (mm)	W2 (mm)		Weight (kg./pc.)	Order Code
KP 80x80 Corner Fixing Plate-Vertical	4 pc. M12x120	6	240	150	80	13x35	1,480	3134638
KP 100x100 Corner Fixing Plate-Vertical	4 pc. M12x140	6	260	150	100	13x35	1,718	3134639
KP 120x100 Corner Fixing Plate-Vertical	4 pc. M12x140	6	280	150	100	13x35	1,887	3134640



- Please indicate the order code in your orders.
- Please contact us for your orders with customized sizes.

ELECTRO-MECHANICAL SUPPORT AND SUSPENSION SYSTEMS

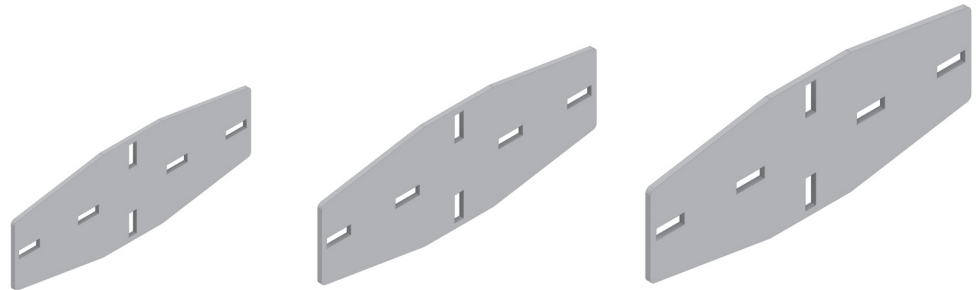
INDUSTRIAL BUILD PROFILE

Corner Fixing Plate - Cross Connector-Flat

80x80

100x100

120x100

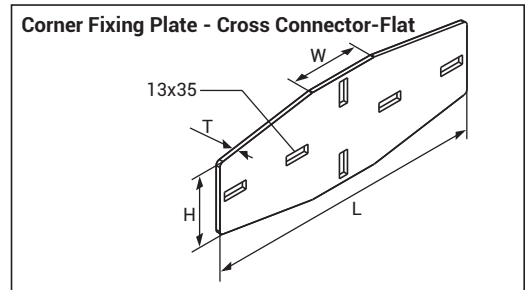


System Features

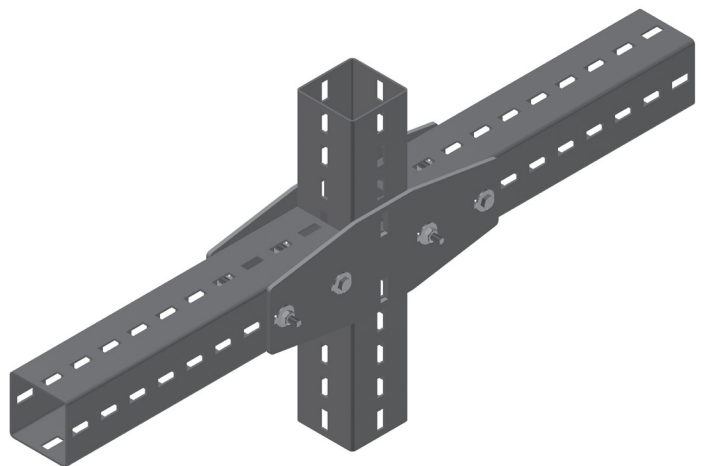
- Function: Profile corner joint Shall be mounted on two facing surfaces! Shall not be mounted on a single surface!
- Accessories: The bolt sets are sold separately

Technical Information

- Material: Steel
- Surface: Hot-Dip Galvanized EN ISO 1461



Product	Required Bolt Type and Qty	Thickness				Hole Sizes	Hot-Dip Galvanized (TS EN ISO 1461)	
	Hex.Head	T (mm)	L (mm)	W (mm)	H (mm)		Weight (kg./pc.)	Order Code
KP 80x80 Corner Fixing Plate-Cross Connector-Flat	4 sets M12x120	6	380	80	80	13x35	2,267	3134641
KP 100x100 Corner Fixing Plate-Cross Connector-Flat	4 sets M12x140	6	400	100	100	13x35	2,577	3134642
KP 120x100 Corner Fixing Plate-Cross Connector-Flat	4 sets M12x140	6	420	120	120	13x35	2,889	3134643



- Please indicate the order code in your orders.
- Please contact us for your orders with customized sizes.

ELECTRO-MECHANICAL SUPPORT AND SUSPENSION SYSTEMS

INDUSTRIAL BUILD PROFILE

Omega Connector

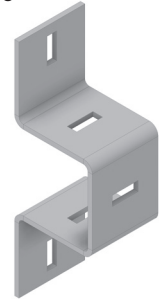
80x80



100x100



120x100

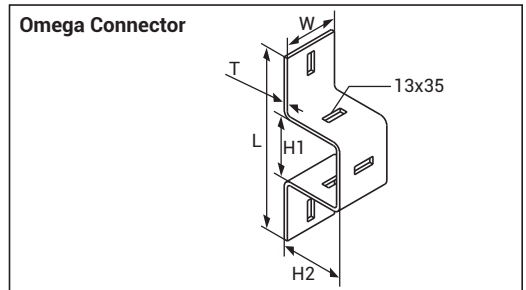


System Features:

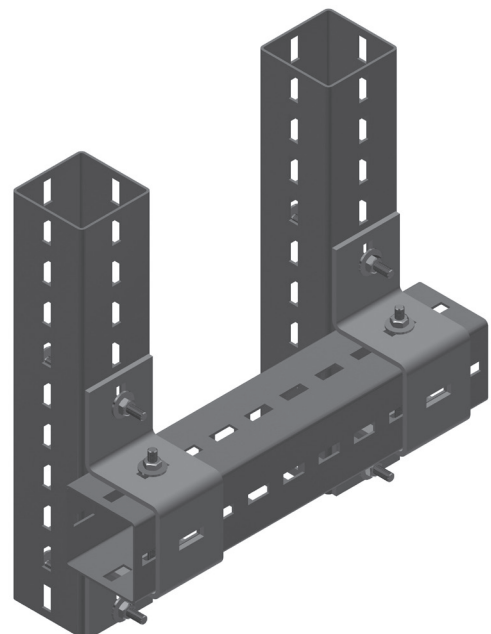
- Function: Profile corner fixing
- Accessories: The bolt sets are sold separately

Technical Information:

- Material: Steel
- Surface: Hot-Dip Galvanized EN ISO 1461



Product	Required Bolt Type and Qty	Thickness	T (mm)	L (mm)	W (mm)	H1 (mm)	H2 (mm)	Hole Sizes (mm)	Hot-Dip Galvanized (TS EN ISO 1461)	
	Hex.Head								Weight (kg./pc.)	Order Code
KP 80x80 Omega Connector	4 sets M12x40	6	6	250	70	80	80	13x35	1,297	3134644
KP 100x100 Omega Connector	4 sets M12x40	6	6	300	90	100	100	13x35	2,127	3134645
KP 120x100 Omega Connector	4 sets M12x40	6	6	330	90	120	100	13x35	2,221	3134646
KP 160x100 Omega Connector	2 pcs Dowel	6	6	360	150	160	100	13x35	3,823	3193842

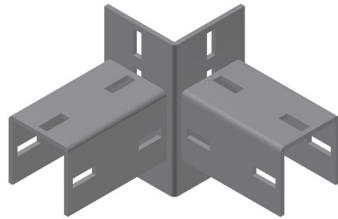


- Please indicate the order code in your orders.
- Please contact us for your orders with customized sizes.

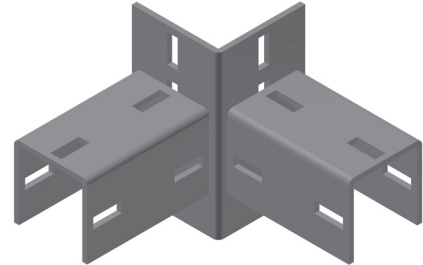
INDUSTRIAL BUILD PROFILE

L Corner Connector

80x80



100x100

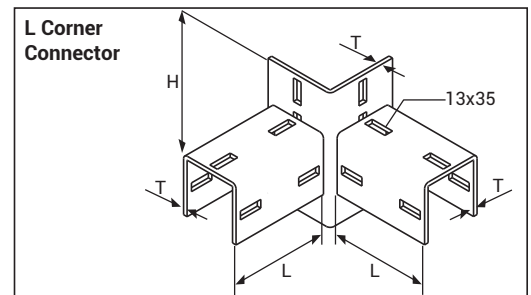


System Features:

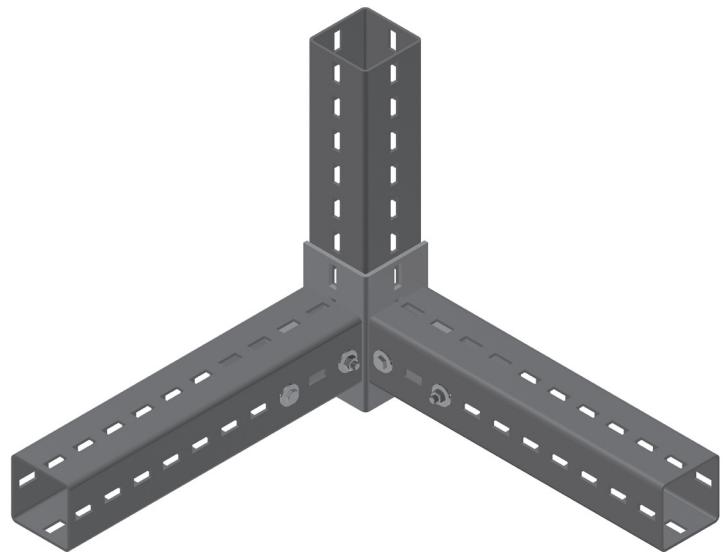
- Function: Profile corner fixing
- Accessories: The bolt sets are sold separately

Technical Information:

- Material: Steel
- Surface: Hot-Dip Galvanized EN ISO 1461



Product	Required Bolt Type and Qty		Thickness T (mm)	L (mm)	H (mm)	Hole Sizes (mm)	Hot-Dip Galvanized (TS EN ISO 1461)	
	T-Head	Hex.Head					Weight (kg./pc.)	Order Code
KP 80x80 L Corner Connector	4 pc. M12x40	4 pc. M12x120	6	150	200	13x35	4,210	3134647
KP 100x100 L Corner Connector	4 pc. M12x40	4 pc. M12x140	6	150	200	13x35	5,535	3134648



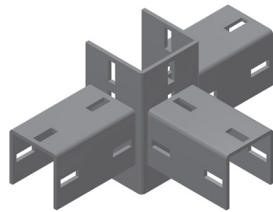
- Please indicate the order code in your orders.
- Please contact us for your orders with customized sizes.

ELECTRO-MECHANICAL SUPPORT AND SUSPENSION SYSTEMS

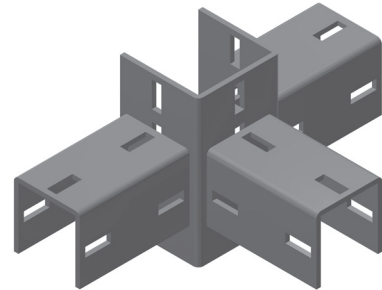
INDUSTRIAL BUILD PROFILE

U Corner Connector

80x80



100x100

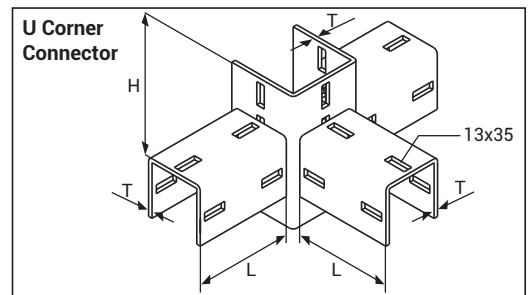


System Features:

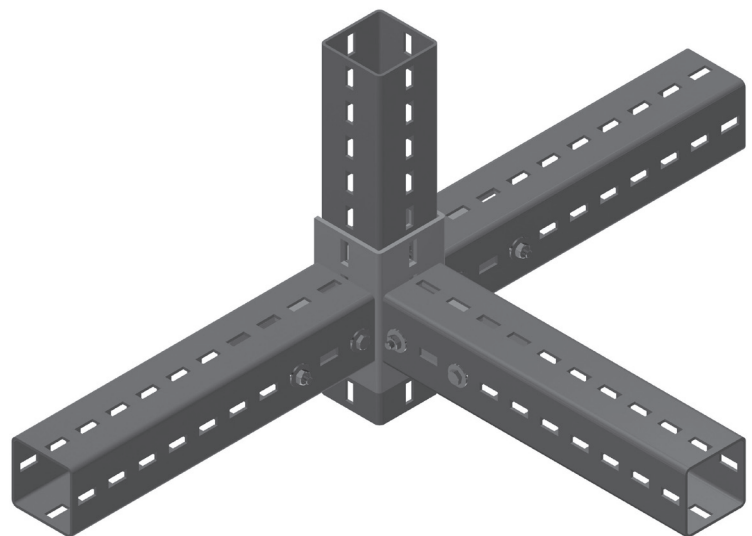
- Function: Profile corner fixing
- Accessories: The bolt sets are sold separately

Technical Information:

- Material: Steel
- Surface: Hot-Dip Galvanized EN ISO 1461



Product	Required Bolt Type and Qty		Thickness T (mm)	L (mm)	H (mm)	Hole Sizes (mm)	Hot-Dip Galvanized (TS EN ISO 1461)	
	T-Head	Hex.Head					Weight (kg./pc.)	Order Code
KP 80x80 U Corner Connector	6 pc. M12x120	6 pc. M12x120	6	150	200	13x35	6,303	3134649
KP 100x100 U Corner Connector	6 pc. M12x140	6 pc. M12x140	6	150	200	13x35	8,324	3134650



- Please indicate the order code in your orders.
- Please contact us for your orders with customized sizes.

ELECTRO-MECHANICAL SUPPORT AND SUSPENSION SYSTEMS

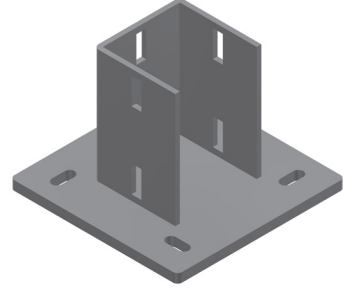
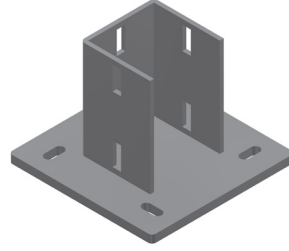
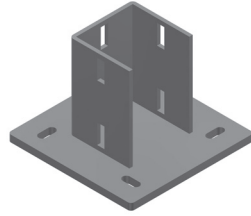
INDUSTRIAL BUILD PROFILE

Concrete Mounting Piece

80x80

100x100

120x100

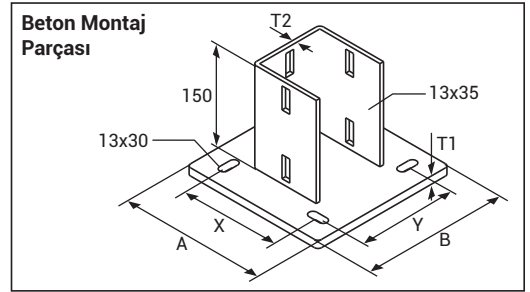


System Features:

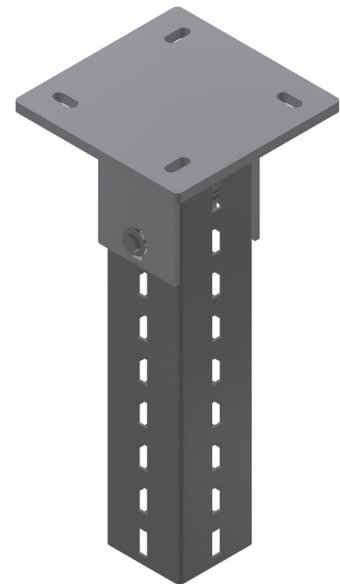
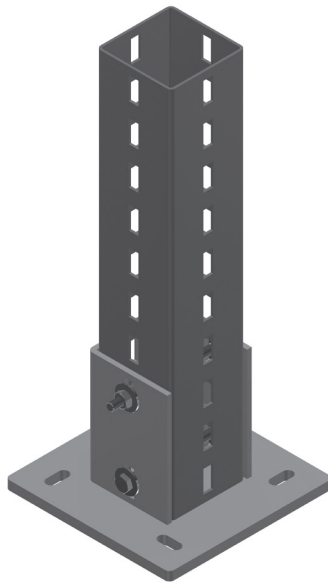
- Function: Concrete Mounting Piece; base plate, supplied welded to the U part
- Accessories: The bolt sets are sold separately

Technical Information:

- Material: Steel
- Surface: Hot-Dip Galvanized EN ISO 1461



Product	Required Bolt Type and Qty	Base Plate Dimensions						U Holder Dimensions		Hot-Dip Galvanized (TS EN ISO 1461)	
		Hex.Head	T1 (mm)	A (mm)	B (mm)	X (mm)	Y (mm)	Hole (mm)	T2 (mm)	Hole (mm)	Weight (kg./pc.)
KP 80x80 Concrete Mounting Piece	4 tk. M12x120	12	200	200	130	130	13x30	6	13x35	5,778	3134651
KP 100x100 Concrete Mounting Piece	4 tk. M12x140	12	220	220	150	150	13x30	6	13x35	7,115	3134652
KP 120x100 Concrete Mounting Piece	4 tk. M12x140	12	240	220	170	150	13x30	6	13x35	7,882	3134653



- Please indicate the order code in your orders.
- Please contact us for your orders with customized sizes.

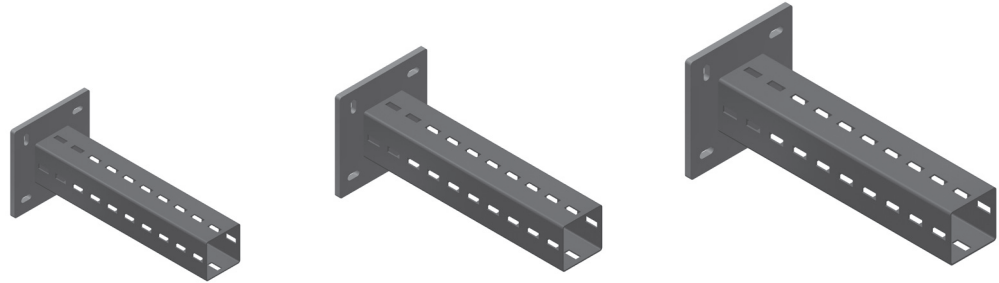
INDUSTRIAL BUILD PROFILE

Concrete Mounting Console

80x80

100x100

120x100



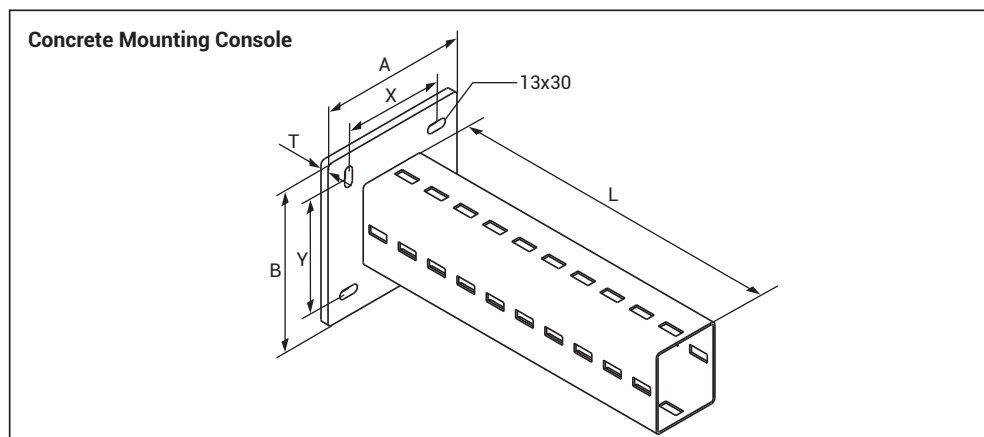
System Features:

- Function: The concrete connection console is provided welded. Designed for walls, ceilings and floor connections.
- Accessories: The bolt sets are sold separately

Technical Information:

- Material: Steel
- Surface: Hot-Dip Galvanized EN ISO 1461

Product		Base Plate Dimensions						Recommended Maximum Spring Load	Hot-Dip Galvanized (TS EN ISO 1461)	
Type	L (mm)	T (mm)	A (mm)	B (mm)	X (mm)	Y (mm)	Hole (mm)	Fz (kN)	Weight (kg./pc.)	Order Code
80x80x3	500	12	200	200	130	130	13x30	6,00 kN	7,480	3134654
80x80x3	1000	12	200	200	130	130	13x30	3,00 kN	10,965	3134655
80x80x3	1500	12	200	200	130	130	13x30	2,00 kN	14,450	3134656
100x100x3	500	12	220	220	150	150	13x30	9,50 kN	9,387	3134657
100x100x3	1000	12	220	220	150	150	13x30	4,50 kN	13,908	3134658
100x100x3	1500	12	220	220	150	150	13x30	3,00 kN	18,430	3134659
120x100x3	500	12	240	220	170	150	13x30	11,00 kN	10,361	3134660
120x100x3	1000	12	240	220	170	150	13x30	5,50 kN	15,400	3134661
120x100x3	1500	12	240	220	170	150	13x30	3,50 kN	20,439	3134662

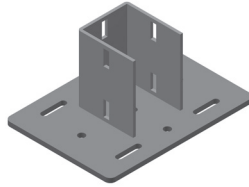


- Please indicate the order code in your orders.
- Please contact us for your orders with customized sizes.

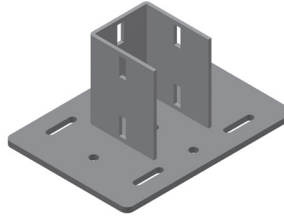
INDUSTRIAL BUILD PROFILE

Beam Mounting Piece

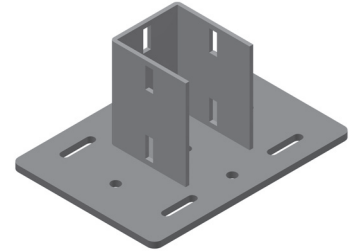
80x80



100x100



120x100

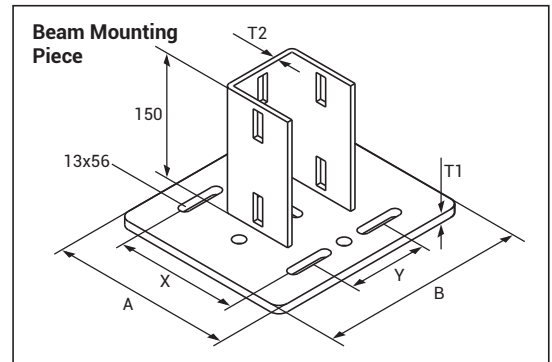


System Features:

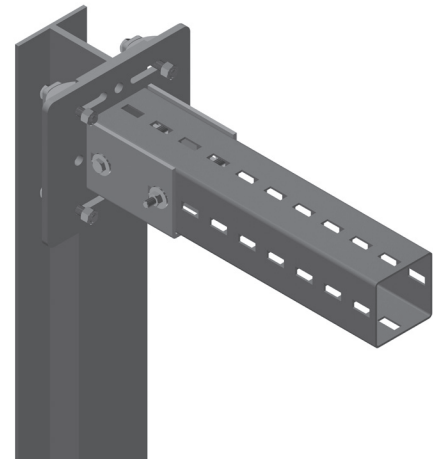
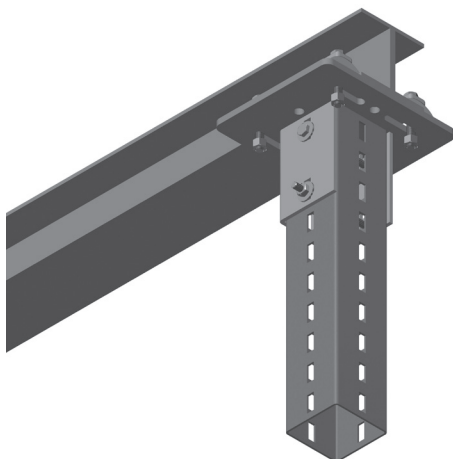
- Function: Beam corner joint; base plate, supplied welded to the U part
- Accessories: The bolt sets are sold separately

Technical Information:

- Material: Steel
- Surface: Hot-Dip Galvanized EN ISO 1461



Profile	Required Bolt Type and Qty	Beam	Base Plate Dimensions						U Holder Dimensions		Hot-Dip Galvanized (TS EN ISO 1461)	
Type	Hex. Head Bolt Set	Beam Width (mm)	T1 (mm)	A (mm)	B (mm)	X (mm)	Y (mm)	Hole (mm)	T2 (mm)	Hole (mm)	Weight (kg./pc.)	Order Code
80x80	4 set M12x120	42-120	10	220	250	150	97	13x56	6	13x35	6,191	3134663
80x80	4 set M12x120	121-200	10	220	330	150	177	13x56	6	13x35	7,711	3134664
80x80	4 set M12x120	201-300	10	220	430	150	277	13x56	6	13x35	9,611	3134665
100x100	4 set M12x140	42-120	10	220	250	150	97	13x56	6	13x35	6,657	3134666
100x100	4 set M12x140	121-200	10	220	330	150	177	13x56	6	13x35	8,177	3134667
100x100	4 set M12x140	201-300	10	220	430	150	277	13x56	6	13x35	10,077	3134668
120x100	4 set M12x140	42-120	10	240	250	170	97	13x56	6	13x35	6,967	3134669
120x100	4 set M12x140	121-200	10	240	330	170	177	13x56	6	13x35	8,488	3134670
120x100	4 set M12x140	201-300	10	240	430	170	277	13x56	6	13x35	10,387	3134671



- Please indicate the order code in your orders.
- Please contact us for your orders with customized sizes.

INDUSTRIAL BUILD PROFILE

Heavy-Duty Beam Clamp

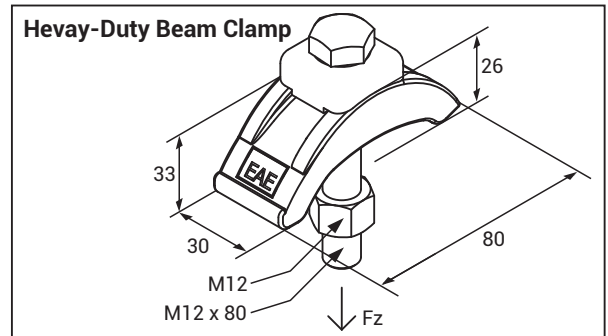


System Features:

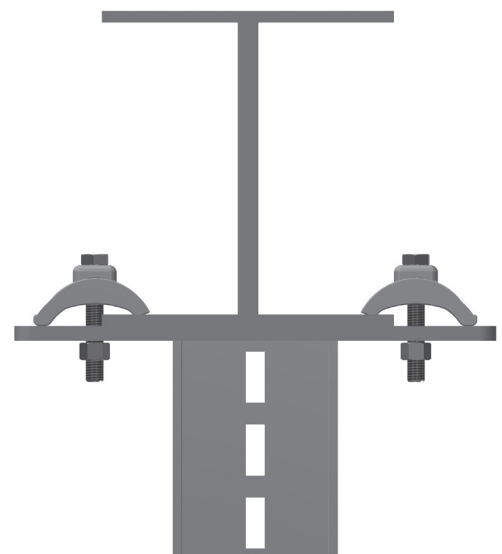
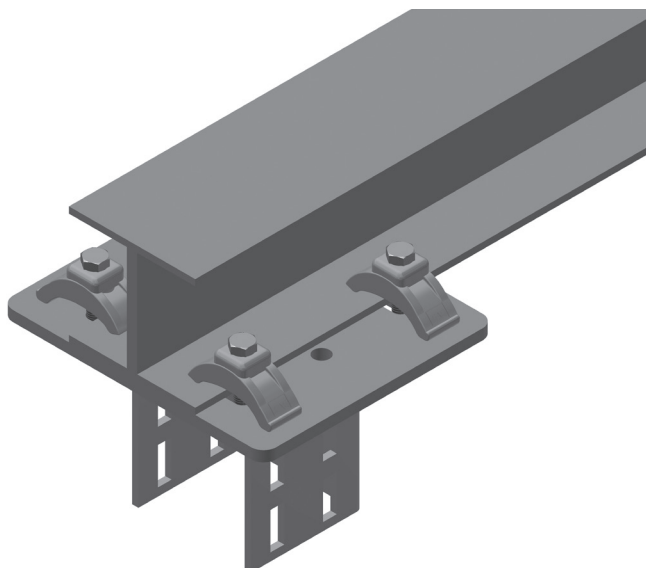
- Compatible with beams of 42mm-300mm width. (B)
- It is compatible with beams with thickness between 3-12mm. (Tf)
- Adjustable angle of 15 °.
- The carrying capacity given in the table is the load that can be applied to 1 girder clamp. (6.0 kN)
- The product must be tightened with the specified maximum torque. (85 Nm)
- Beam clamp must be used in pairs.
- 1 set: 1 beam + 1 piece 12x80 Bolt + M12 nut.

Technical Information:

- Material: Cast Iron
- Surface: Zinc Coated



Profile	Fz (kN)	Recommended Maximum Spring Load (Nm)	Weight (kg./set)	Order Code
Heavy-Duty Beam Clamp	6,0	85	0,43	1021241



- Please indicate the order code in your orders.
- Please contact us for your orders with customized sizes.

ELECTRO-MECHANICAL SUPPORT AND SUSPENSION SYSTEMS

INDUSTRIAL BUILD PROFILE

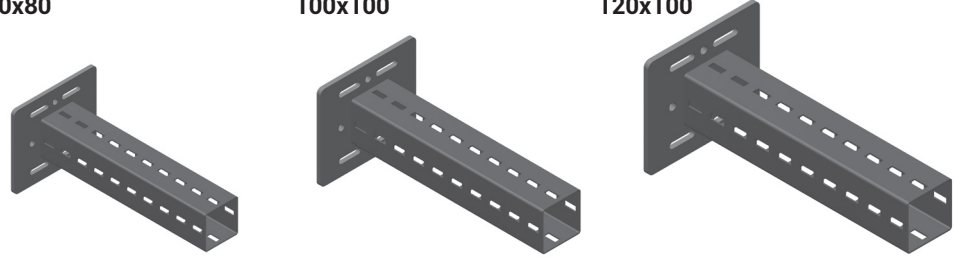
Heavy-Duty Beam Clamp

KP

80x80

100x100

120x100



System Features:

- Function: The beam connection console is provided welded.
- Accessories: The bolt sets are sold separately

Technical Information:

- Material: Steel
- Surface: Hot-Dip Galvanized EN ISO 1461

Profile		Beam	Base Plate Dimensions						Recommended Maximum Spring Load	Hot-Dip Galvanized (TS EN ISO 1461)	
Type	L (mm)	Beam Width (mm)	T (mm)	A (mm)	B (mm)	X (mm)	Y (mm)	Hole (mm)	Fz (kN)	Weight (kg./pc.)	Order Code
80x80x3	500	42-120	10	220	250	150	97	13x56	5,00 kN	7,893	3134672
80x80x3	1000	42-120	10	220	250	150	97	13x56	2,00 kN	11,377	3134673
80x80x3	1500	42-120	10	220	250	150	97	13x56	1,50 kN	14,862	3134674
80x80x3	500	121-200	10	220	330	150	177	13x56	5,00 kN	9,413	3134675
80x80x3	1000	121-200	10	220	330	150	177	13x56	2,00 kN	12,898	3134676
80x80x3	1500	121-200	10	220	330	150	177	13x56	1,50 kN	16,382	3134677
80x80x3	500	201-300	10	220	430	150	277	13x56	4,50 kN	11,312	3134678
80x80x3	1000	201-300	10	220	430	150	277	13x56	1,80 kN	14,797	3134679
80x80x3	1500	201-300	10	220	430	150	277	13x56	1,30 kN	18,282	3134680
100x100x3	500	42-120	10	220	250	150	97	13x56	5,00 kN	8,929	3134681
100x100x3	1000	42-120	10	220	250	150	97	13x56	3,00 kN	13,451	3134682
100x100x3	1500	42-120	10	220	250	150	97	13x56	2,00 kN	17,972	3134683
100x100x3	500	121-200	10	220	330	150	177	13x56	5,00 kN	10,449	3134684
100x100x3	1000	121-200	10	220	330	150	177	13x56	3,00 kN	14,971	3134685
100x100x3	1500	121-200	10	220	330	150	177	13x56	2,00 kN	19,493	3134686
100x100x3	500	201-300	10	220	430	150	277	13x56	4,50 kN	12,349	3134687
100x100x3	1000	201-300	10	220	430	150	277	13x56	2,50 kN	16,871	3134688
100x100x3	1500	201-300	10	220	430	150	277	13x56	1,50 kN	21,392	3134689
120x100x3	500	42-120	10	240	250	170	97	13x56	5,00 kN	9,844	3134690
120x100x3	1000	42-120	10	240	250	170	97	13x56	4,00 kN	14,883	3134691
120x100x3	1500	42-120	10	240	250	170	97	13x56	2,50 kN	19,922	3134692
120x100x3	500	121-200	10	240	330	170	177	13x56	5,00 kN	11,501	3134693
120x100x3	1000	121-200	10	240	330	170	177	13x56	4,00 kN	16,540	3134694
120x100x3	1500	121-200	10	240	330	170	177	13x56	2,50 kN	21,579	3134695
120x100x3	500	201-300	10	240	430	170	277	13x56	4,50 kN	13,572	3134696
120x100x3	1000	201-300	10	240	430	170	277	13x56	2,00 kN	18,611	3134697
120x100x3	1500	201-300	10	240	430	170	277	13x56	1,50 kN	23,650	3134698

- Please indicate the order code in your orders.
- Please contact us for your orders with customized sizes.

ELECTRO-MECHANICAL SUPPORT AND SUSPENSION SYSTEMS

INDUSTRIAL BUILD PROFILE

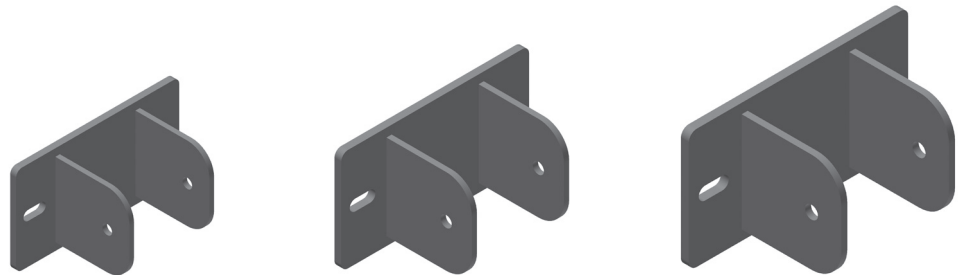
Angled Holder-Horizontal Connection

KP

80x80

100x100

120x100

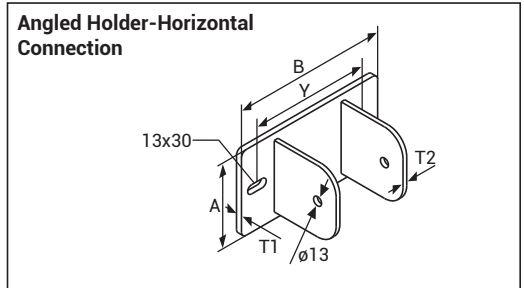


System Features:

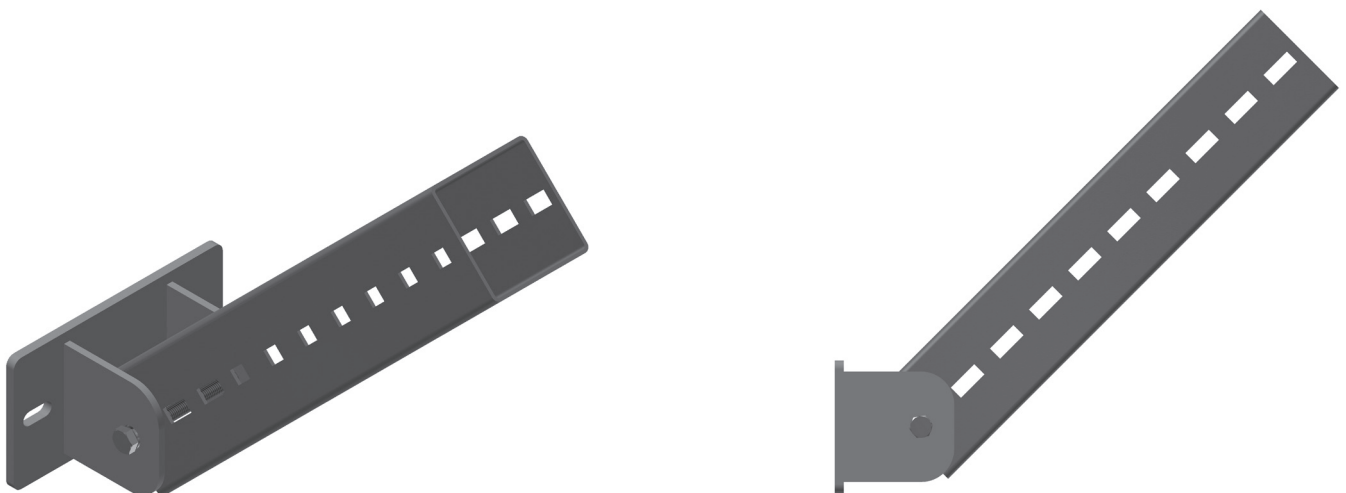
- Function: Profile angled connection is sent with base plate welded to the holders.
- Accessories: The bolt sets are sold separately

Technical Information:

- Material: Steel
- Surface: Hot-Dip Galvanized EN ISO 1461



Product	Required Bolt Type and Qty	Base Plate Dimensions					U Holder Dimensions		Hot-Dip Galvanized (TS EN ISO 1461)	
		Hex.Head	T1 (mm)	A (mm)	B (mm)	Y (mm)	Hole (mm)	T2 (mm)	Hole (mm)	Weight (kg./pc.)
KP 80x80 Angled Holder-Horizontal Con.	1 pc. M12x120	8	100	200	150	13x30	6	13	2,103	3134699
KP 100x100 Angled Holder-Horizontal Con.	1 pc. M12x140	8	120	220	170	13x30	6	13	2,754	3134700
KP 120x100 Angled Holder-Horizontal Con.	1 pc. M12x160	8	120	240	190	13x30	6	13	2,921	3134701



- Please indicate the order code in your orders.
- Please contact us for your orders with customized sizes.

ELECTRO-MECHANICAL SUPPORT AND SUSPENSION SYSTEMS

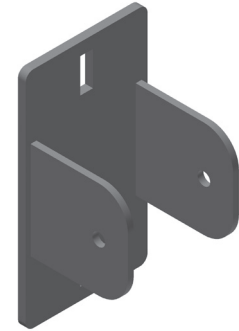
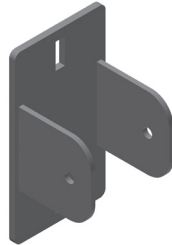
INDUSTRIAL BUILD PROFILE

Angled Holder - Vertical Connection

80x80

100x100

120x100

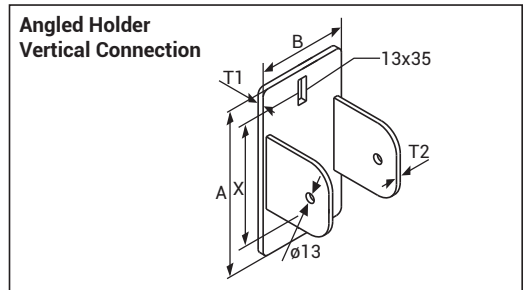


System Features:

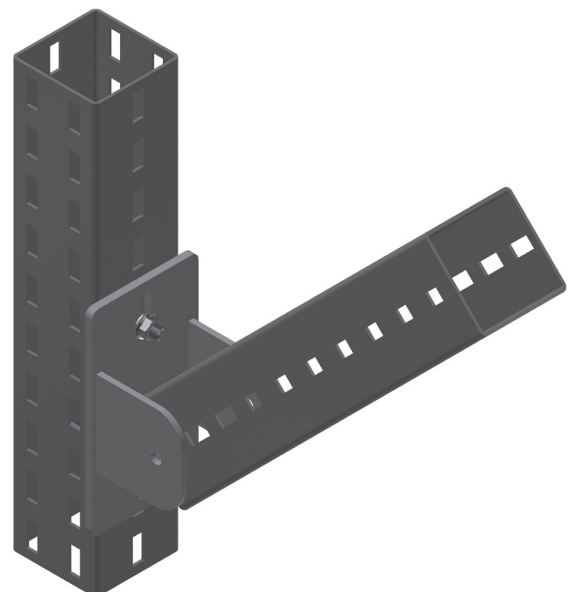
- Function: Profile angled connection; base plate is sent with welded to the holders.
- Accessories: The bolt sets are sold separately

Technical Information:

- Material: Steel
- Surface: Hot-Dip Galvanized EN ISO 1461



Product	Required Bolt Type and Qty	Base Plate Dimensions					U Holder Dimensions		Hot-Dip Galvanized (TS EN ISO 1461)	
		Hex.Head	T1 (mm)	A (mm)	B (mm)	X (mm)	Hole (mm)	T2 (mm)	Hole (mm)	Weight (kg./pc.)
KP 80x80 Angled Holder Vertical Connection	1 pc. M12x120	8	210	105	150	13x35	6	13	2,231	3134702
KP 100x100 Angled Holder Vertical Connection	1 pc. M12x140	8	230	125	170	13x35	6	13	2,903	3134703
KP 120x100 Angled Holder Vertical Connection	1 pc. M12x160	8	230	145	170	13x35	6	13	3,221	3134704



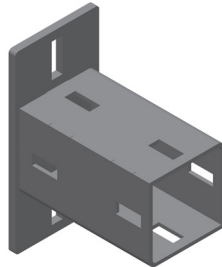
- Please indicate the order code in your orders.
- Please contact us for your orders with customized sizes.

ELECTRO-MECHANICAL SUPPORT AND SUSPENSION SYSTEMS

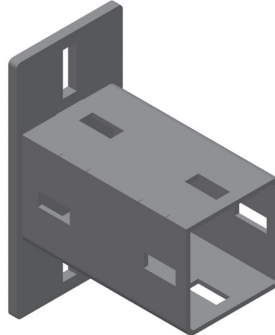
INDUSTRIAL BUILD PROFILE

Adapter

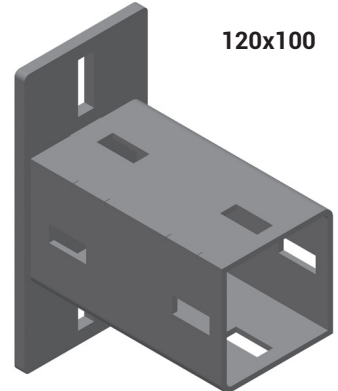
80x80



100x100



120x100

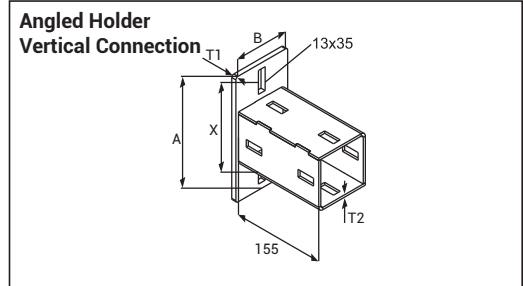


System Features:

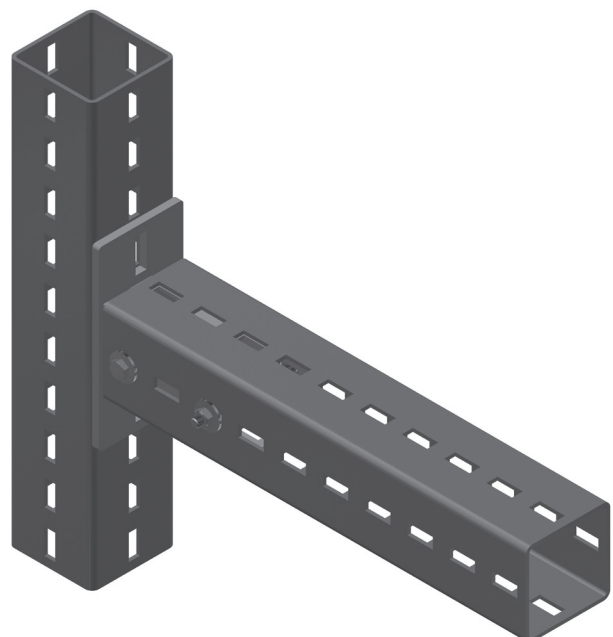
- Function: Profile corner joint; base plate, supplied welded to the U part.
- Accessories: The bolt sets are sold separately

Technical Information:

- Material: Steel
- Surface: Hot-Dip Galvanized EN ISO 1461



Product	Required Bolt Type and Qty	Base Plate Dimensions					U Holder Dimensions		Hot-Dip Galvanized (TS EN ISO 1461)	
	Hex.Head	T1 (mm)	A (mm)	B (mm)	Y (mm)	Hole (mm)	T2 (mm)	Hole (mm)	Weight (kg./pc.)	Order Code
KP 80x80 Adapter	2 pc. M12x120	8	210	80	150	13x35	4	13x35	2,313	3134705
KP 100x100 Adapter	2 pc. M12x140	8	210	100	150	13x35	4	13x35	3,033	3134706
KP 120x100 Adapter	2 pc. M12x160	8	260	100	200	13x35	4	13x35	3,592	3134707

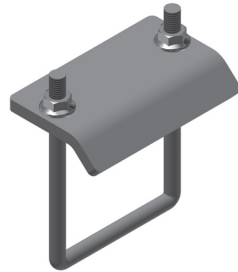


- Please indicate the order code in your orders.
- Please contact us for your orders with customized sizes.

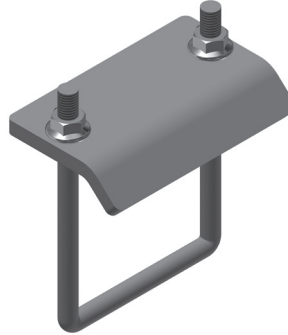
INDUSTRIAL BUILD PROFILE

Beam Anchorage U Bolt

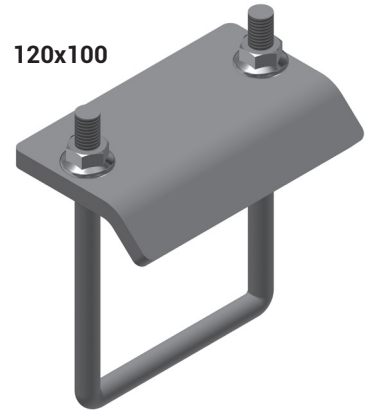
80x80



100x100



120x100

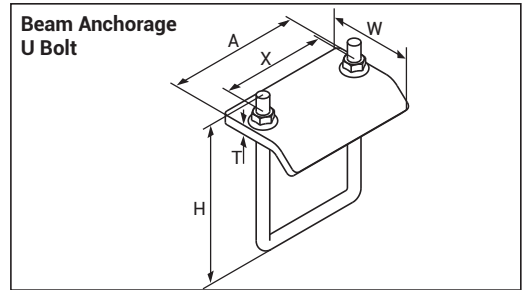


System Features:

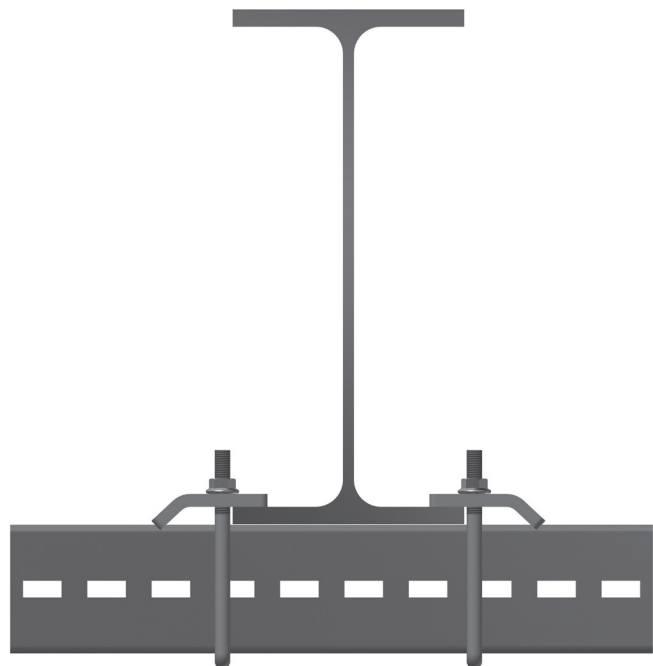
- Function: Profile Beam fixing
- Accessories: Provided as a set with pressure plate, M12 U-bolt and M12 Nuts.

Technical Information:

- Material: Steel
- Surface: Hot-Dip Galvanized EN ISO 1461



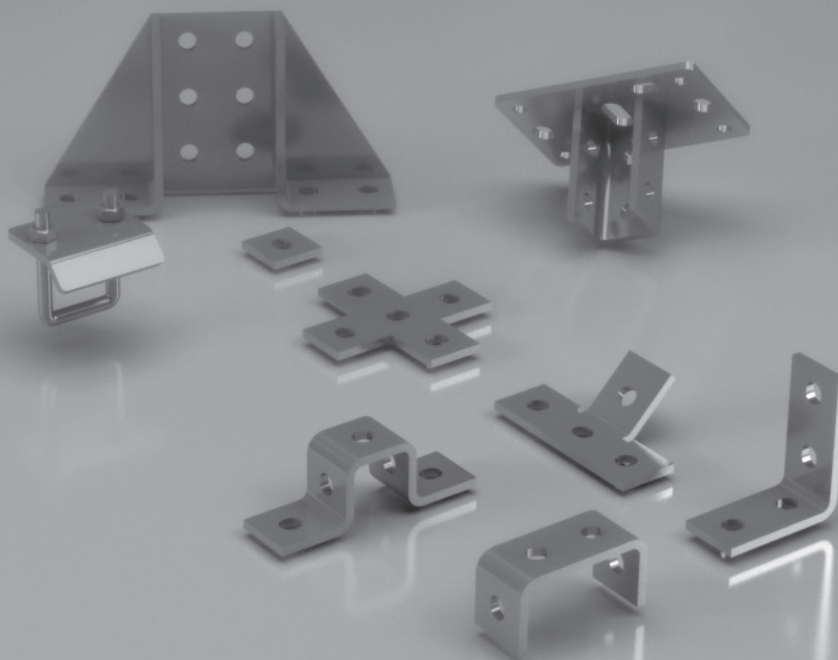
Product	Base Plate Dimensions						Hot-Dip Galvanized (TS EN ISO 1461)	
	T (mm)	A (mm)	X (mm)	H (mm)	W (mm)	Hole (mm)	Weight (kg./pc.)	Order Code
KP 80x80 Beam Anchorage U Bolt	10	124	94	150	90	13	1,368	3134708
KP 100x100 Beam Anchorage U Bolt	10	144	114	170	90	13	1,584	3134709
KP 120x100 Beam Anchorage U Bolt	10	144	114	190	90	13	1,619	3134710



- Please indicate the order code in your orders.
- Please contact us for your orders with customized sizes.



PROFILE JUNCTURE ACCESSORIES ASSEMBLY JUNCTION PIECES

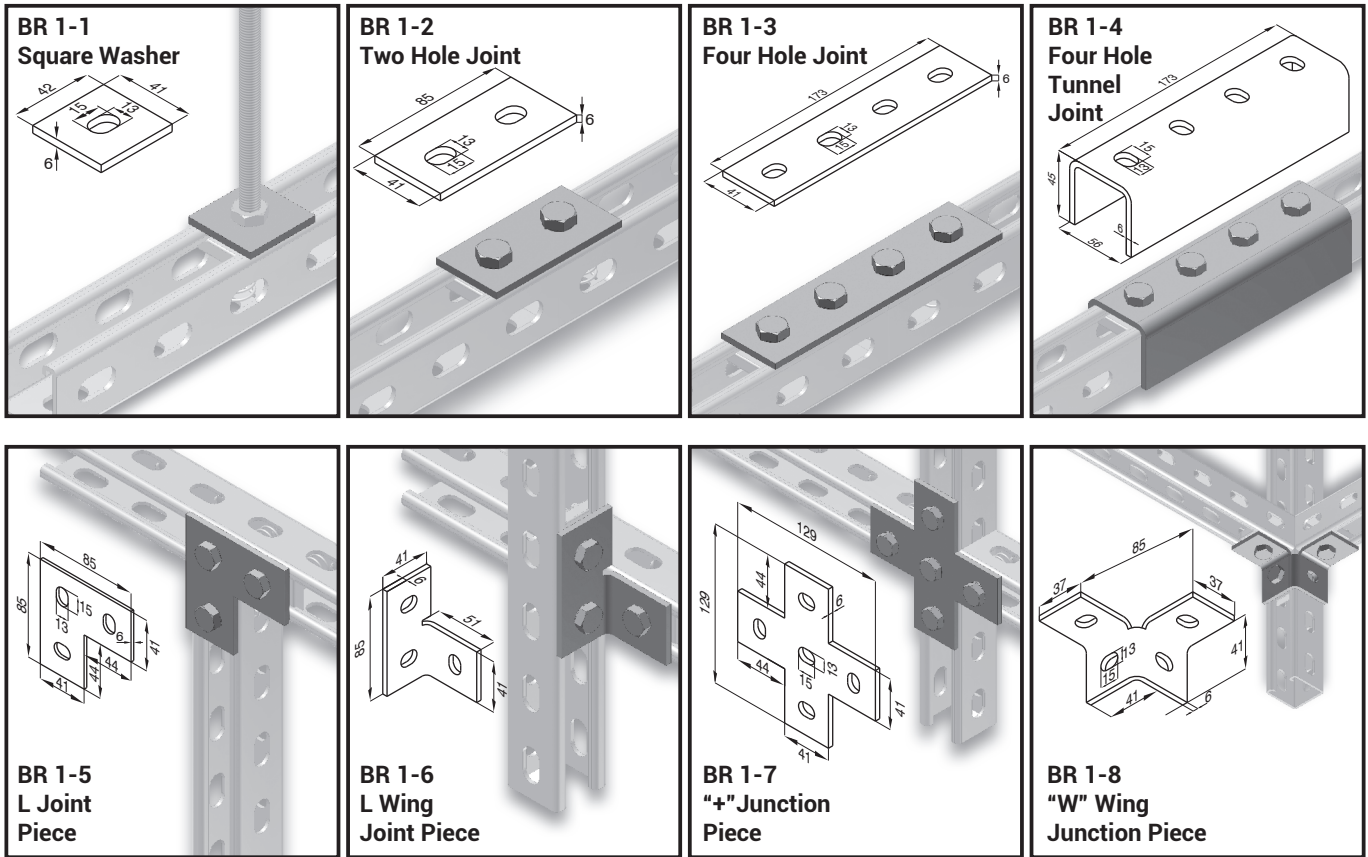


ELECTRO-MECHANICAL SUPPORT AND SUSPENSION SYSTEMS

INDUSTRIAL BUILD PROFILE

Profile Fitting Accessories

BR



Product	Thickness T (mm)	Hole Sizes (mm)	Hot-Dip Galvanized (TS EN ISO 1461)	
			Weight (kg./pc.)	Order Code
BR 1-1 Square Washer	6	13x15	0,080	3000218
BR 1-2 Two Hole Joint	6	13x15	0,166	3000183
BR 1-3 Four Hole Joint	6	13x15	0,330	3000184
BR 1-4 Four Hole Tunnel Joint	6	13x15	1,138	3000185
BR 1-5 L Joint Piece	6	13x15	0,249	3000192
BR 1-6 L Wing Joint Piece	6	13x15	0,254	3000195
BR 1-7 "+" Junction Piece	6	13x15	0,410	3000194
BR 1-8 "W" Wing Junction Piece	6	13x15	0,327	3000188

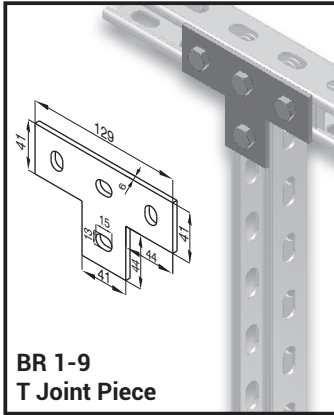
- Please indicate the order code in your orders.
- Please contact us for your orders with customized sizes.

ELECTRO-MECHANICAL SUPPORT AND SUSPENSION SYSTEMS

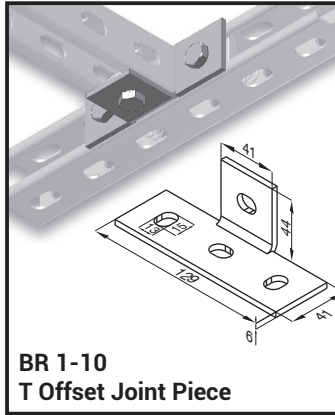
INDUSTRIAL BUILD PROFILE

Profile Fitting Accessories

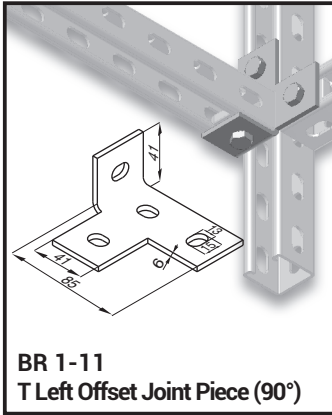
BR



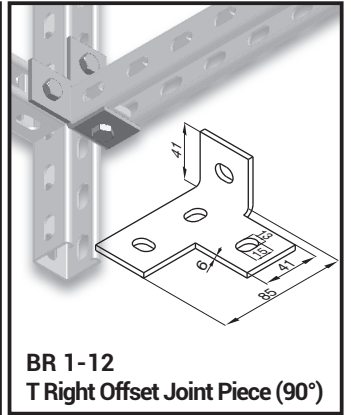
BR 1-9
T Joint Piece



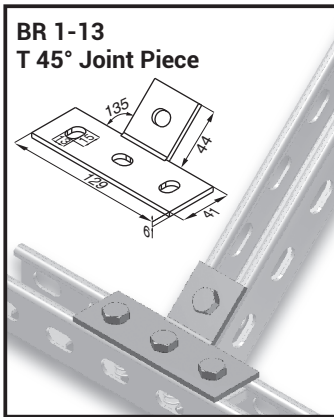
BR 1-10
T Offset Joint Piece



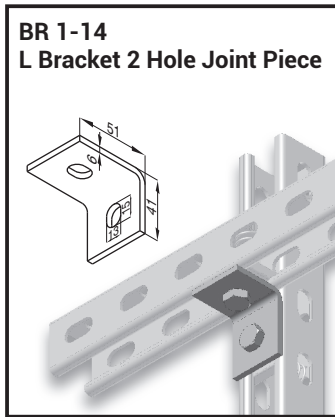
BR 1-11
T Left Offset Joint Piece (90°)



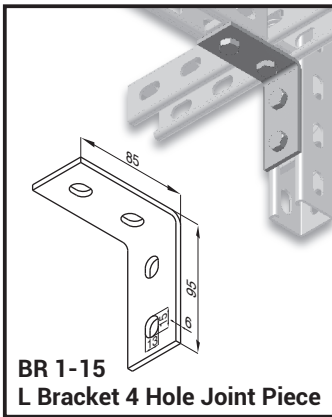
BR 1-12
T Right Offset Joint Piece (90°)



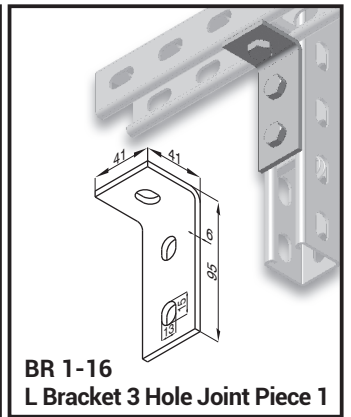
BR 1-13
T 45° Joint Piece



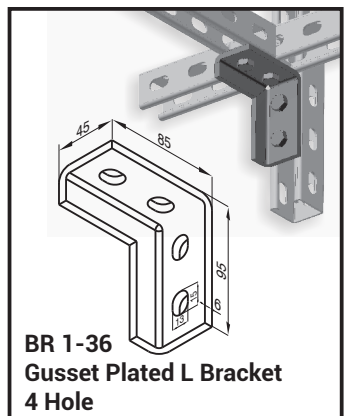
BR 1-14
L Bracket 2 Hole Joint Piece



BR 1-15
L Bracket 4 Hole Joint Piece



BR 1-16
L Bracket 3 Hole Joint Piece 1



BR 1-36
Gusset Plated L Bracket
4 Hole

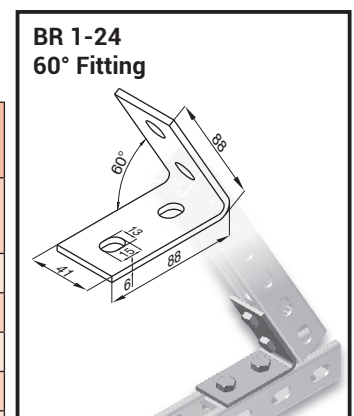
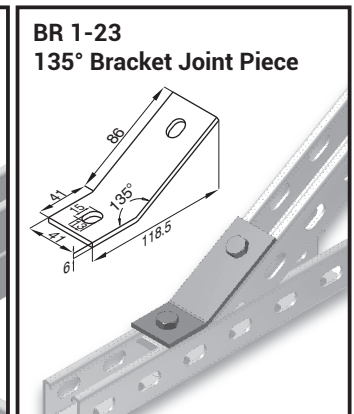
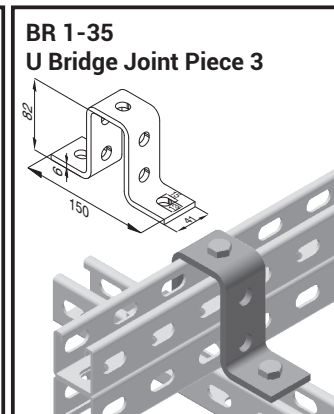
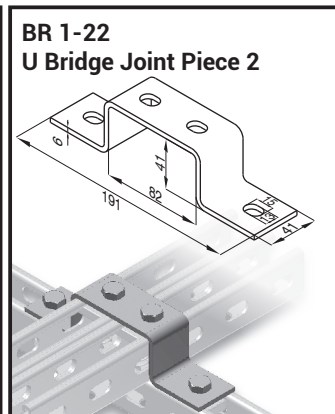
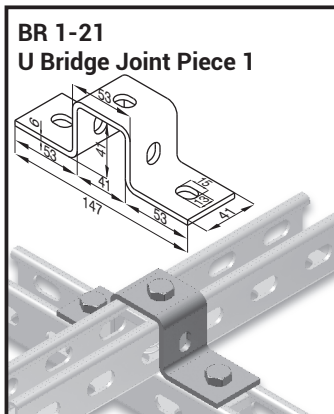
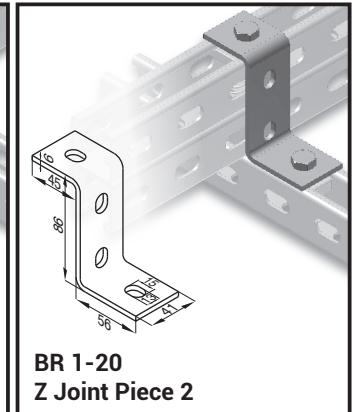
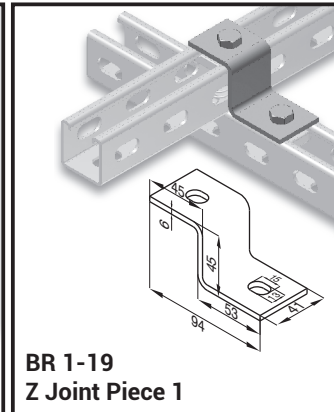
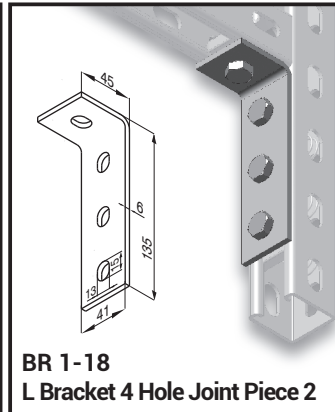
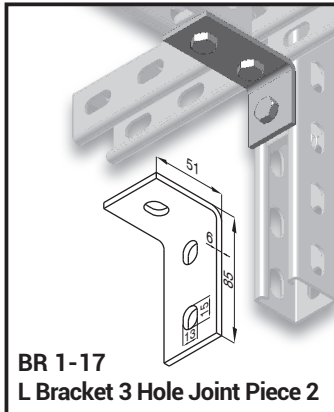
Product	Thickness T (mm)	Hole Sizes (mm)	Hot-Dip Galvanized (TS EN ISO 1461)	
			Weight (kg./pc.)	Order Code
BR 1-9 T Joint Piece	6	13x15	0,320	3000193
BR 1-10 T Offset Joint Piece	6	13x15	0,320	3000187
BR 1-11 T Left Offset Joint Piece (90°)	6	13x15	0,320	3000186
BR 1-12 T Right Offset Joint Piece (90°)	6	13x15	0,320	3000288
BR 1-13 T 45° Joint Piece	6	13x15	0,320	3000196
BR 1-14 L Bracket 2 Hole Joint Piece	6	13x15	0,160	3000198
BR 1-15 L Bracket 4 Hole Joint Piece	6	13x15	0,323	3000203
BR 1-16 L Bracket 3 Hole Joint Piece 1	6	13x15	0,239	3000199
BR 1-36 Gusset Plated L Bracket 4 Hole	6	13x15	0,482	3125796

- Please indicate the order code in your orders.
- Please contact us for your orders with customized sizes.

INDUSTRIAL BUILD PROFILE

Profile Fitting Accessories

BR



Product	Thickness T (mm)	Hole Sizes (mm)	Hot-Dip Galvanized (TS EN ISO 1461)	
			Weight (kg./pc.)	Order Code
BR 1-17 L Bracket 3 Hole Joint Piece 2	6	13x15	0,239	3000197
BR 1-18 L Bracket 4 Hole Joint Piece 2	6	13x15	0,323	3000204
BR 1-19 Z Joint Piece 1	6	13x15	0,239	3000200
BR 1-20 Z Joint Piece 2	6	13x15	0,315	3000201
BR 1-21 U Bridge Joint Piece 1	6	13x15	0,420	3000202
BR 1-22 U Bridge Joint Piece 2	6	13x15	0,490	3000189
BR 1-35 U Bridge Joint Piece 3	6	13x15	0,576	3106387
BR 1-23 135° Bracket Joint Piece	6	13x15	0,251	3000191
BR 1-24 60° Fitting	6	13x15	0,326	3000216

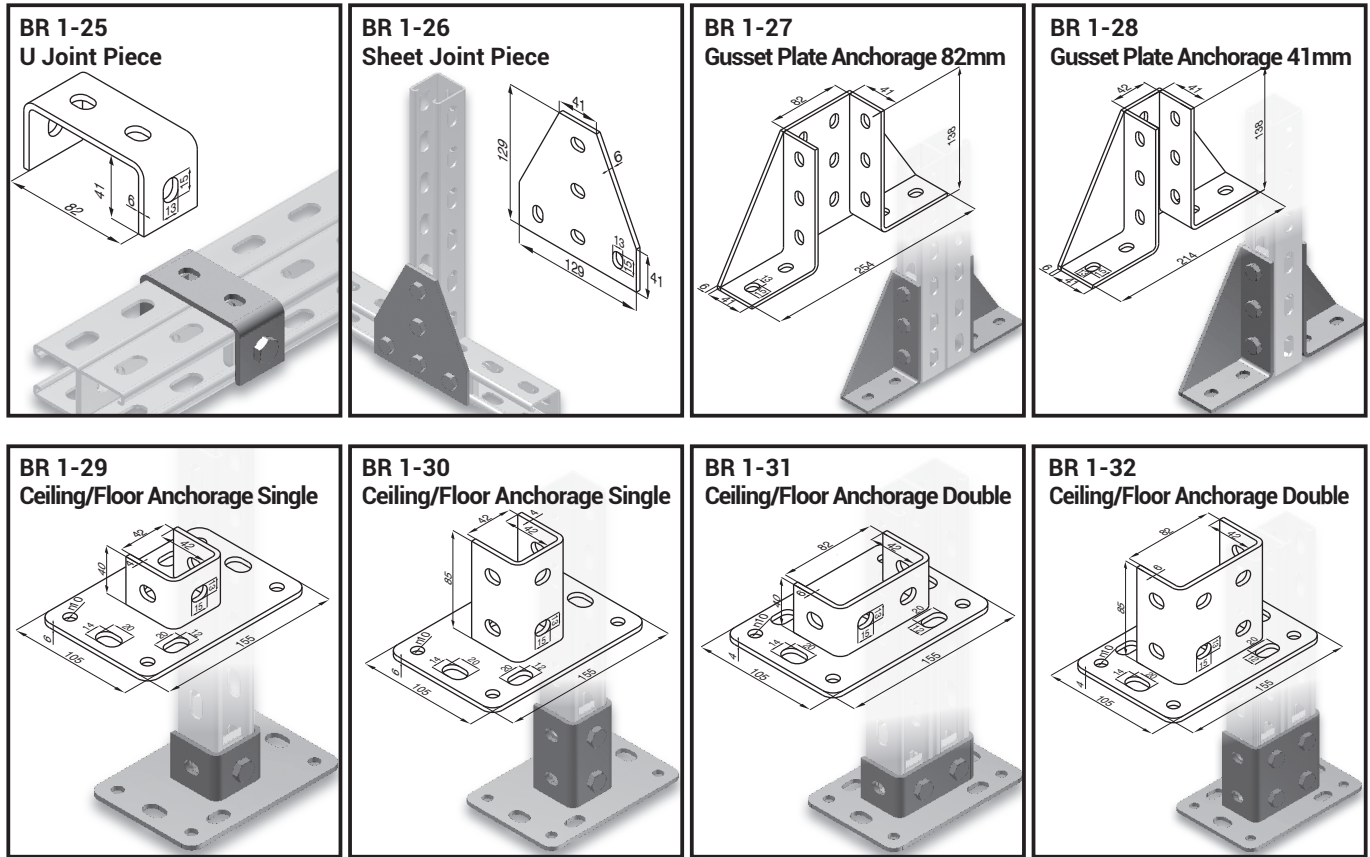
- Please indicate the order code in your orders.
- Please contact us for your orders with customized sizes.

ELECTRO-MECHANICAL SUPPORT AND SUSPENSION SYSTEMS

INDUSTRIAL BUILD PROFILE

Profile Fitting Accessories

BR



Product	Thickness T (mm)	Hole Sizes (mm)	Hot-Dip Galvanized (TS EN ISO 1461)	
			Weight (kg./pc.)	Order Code
BR 1-25 U Joint Piece	6	13x15	0,331	3000190
BR 1-26 Sheet Joint Piece	6	13x15	0,814	3000217
BR 1-27 Gusset Plate Anchorage 82mm	6	13x15	2,037	3000206
BR 1-28 Gusset Plate Anchorage 41mm	6	13x15	1,798	3000205
BR 1-29 Ceiling/Floor Anchorage Single	6		0,998	3000208
BR 1-30 Ceiling/Floor Anchorage Single	6		1,313	3000209
BR 1-31 Ceiling/Floor Anchorage Double	6		1,073	3000211
BR 1-32 Ceiling/Floor Anchorage Double	6	-	1,427	3000212

- Please indicate the order code in your orders.
- Please contact us for your orders with customized sizes.

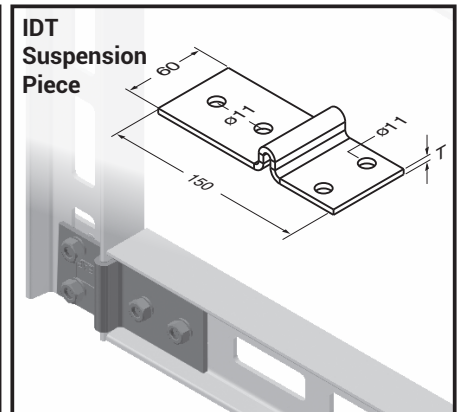
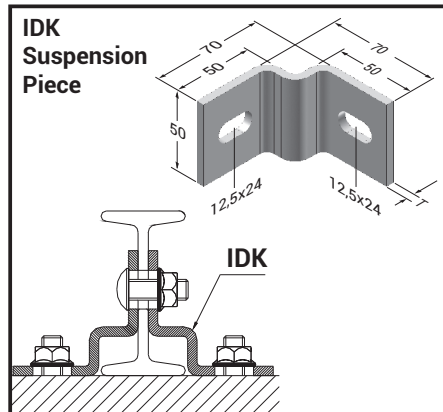
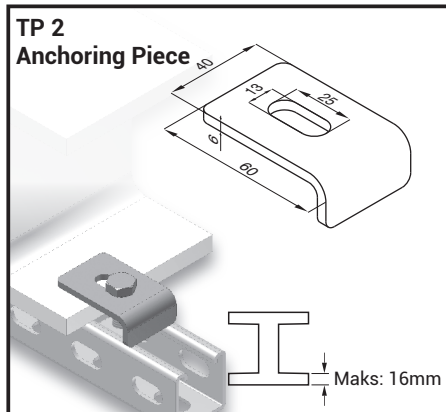
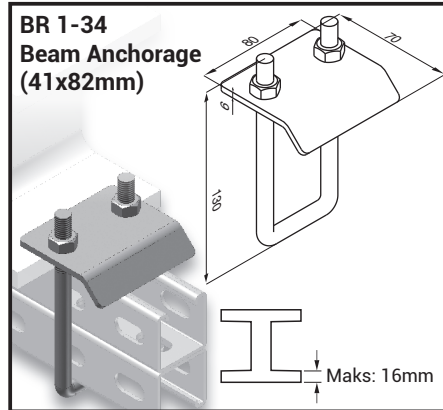
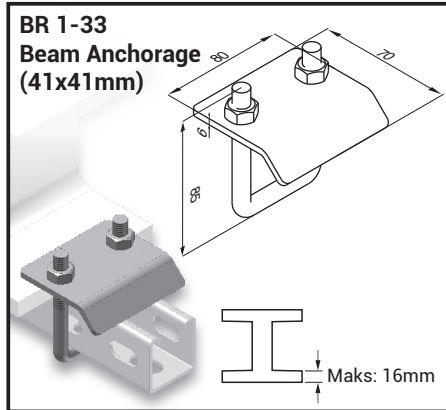


ELECTRO-MECHANICAL SUPPORT AND SUSPENSION SYSTEMS

INDUSTRIAL BUILD PROFILE

Profile Fitting Accessories

BR



Product	Thickness T (mm)	Hole Sizes (mm)	Hot-Dip Galvanized (TS EN ISO 1461)	
			Weight (kg./pc.)	Order Code
BR 1-33 Beam Anchorage (41x41mm)	6	ø11	0,473	3000207
BR 1-34 Beam Anchorage (41x82mm)	6	ø11	0,563	3000213
TP 2 Anchoring Piece	6	13x25	0,134	3006350
IDK Suspension Piece	4	12,5x24	0,226	3008278
IDT Suspension Piece	4	ø11	0,815	3008279

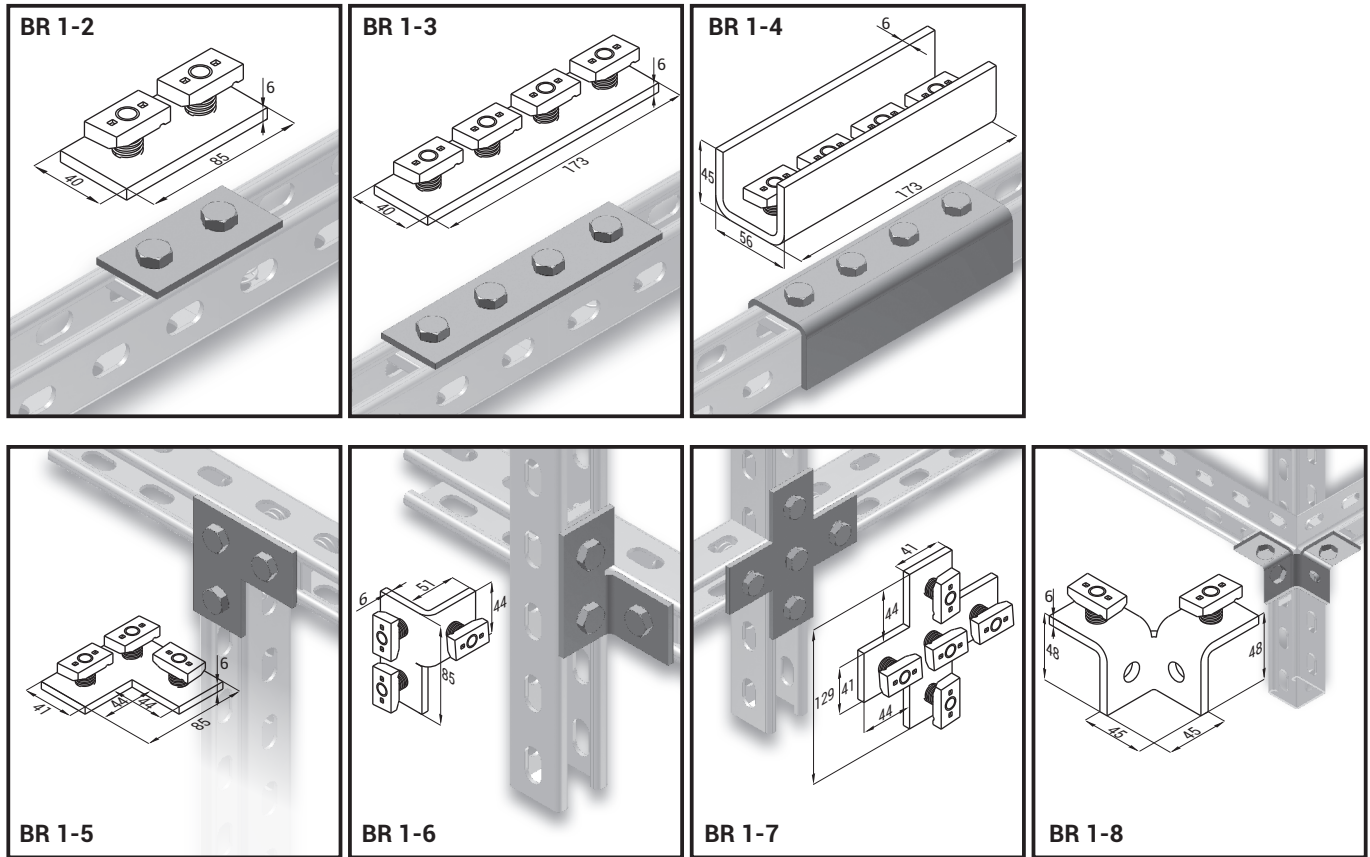
- Please indicate the order code in your orders.
- Please contact us for your orders with customized sizes.

ELECTRO-MECHANICAL SUPPORT AND SUSPENSION SYSTEMS

INDUSTRIAL BUILD PROFILE

Profile Connection Elements with Self Locking Nuts

BR



Product	Thickness T (mm)	Hot-Dip Galvanized (TS EN ISO 1461)	
		Weight (kg./pc.)	Order Code
BR 1-2 Extension with 2 holes with 2 Self Locking Nuts	6	0,286	3136682
BR 1-3 Extension with 4 holes with 3 Self Locking Nuts	6	0,570	3136683
BR 1-4 Extension with 4 hole tunnel with Self Locking Nuts	6	1,162	3000185
BR 1-5 L Connection Part with 3 Self Locking Nuts	6	0,429	3136677
BR 1-6 3 Self Locking Nuts and Butterfly Conn. Ele.	6	0,434	3136678
BR 1-7 3 Self Locking Nuts and "+" Conn. Part	6	0,710	3136679
BR 1-8 Self Locking Nuts and "W" Butterfly Conn. Ele.	6	0,567	3136680

- Please indicate the order code in your orders.
- Please contact us for your orders with customized sizes.

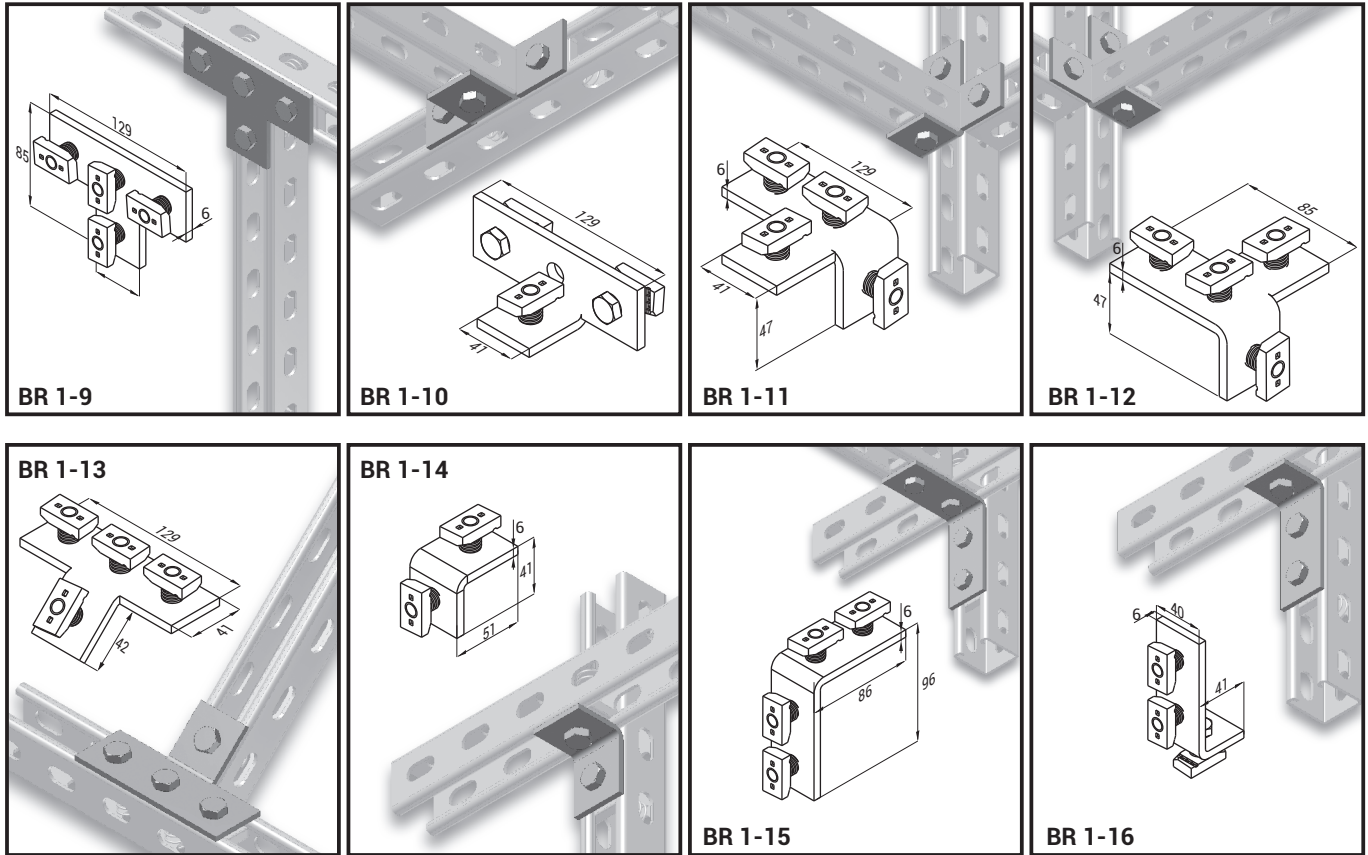


ELECTRO-MECHANICAL SUPPORT AND SUSPENSION SYSTEMS

INDUSTRIAL BUILD PROFILE

Profile Connection Elements with Self Locking Nuts

BR



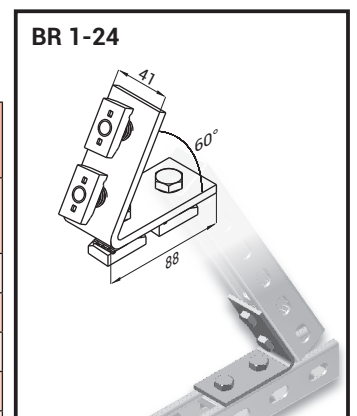
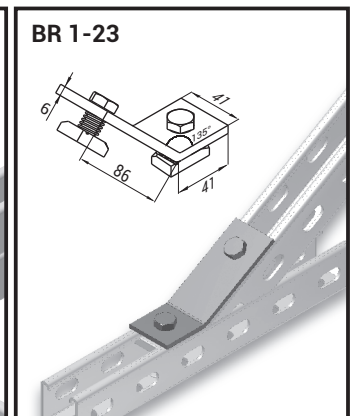
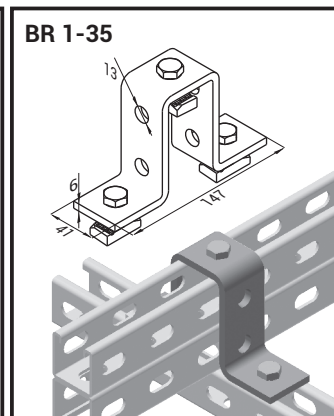
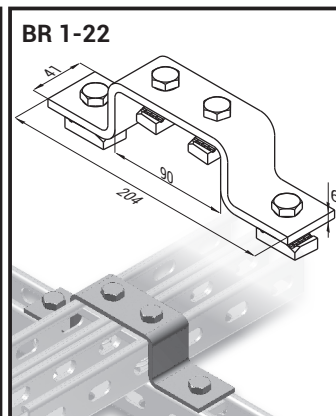
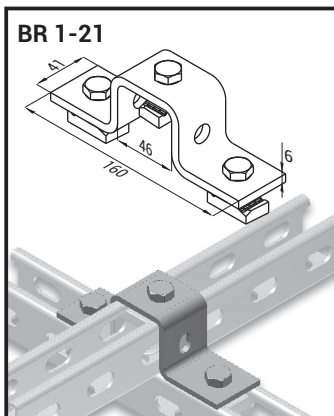
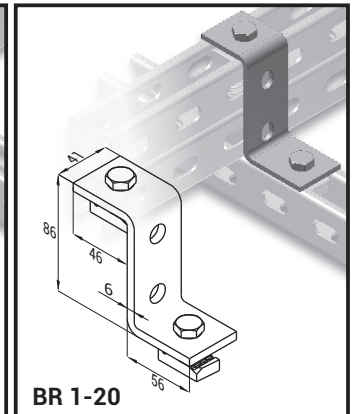
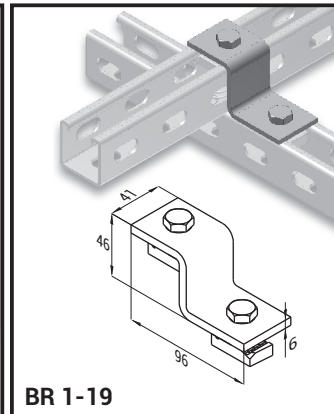
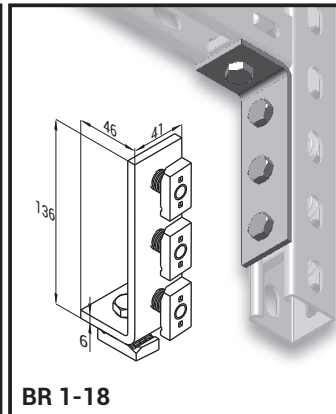
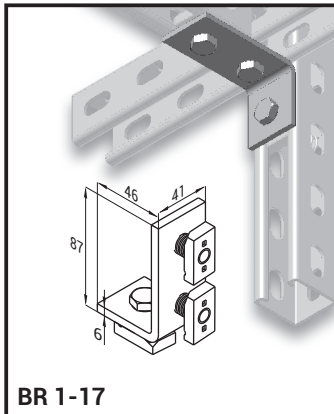
Product	Thickness T (mm)	Hot-Dip Galvanized (TS EN ISO 1461)	
		Weight (kg./pc.)	Order Code
BR 1-9 T Connection Part with Self Locking Nuts	6	0,560	3136673
BR 1-10 T Offset Connection Part with Self Locking Nuts	6	0,560	3136674
BR 1-11 Self Locking Nuts with T Left Offset Conn. Ele. (90°)	6	0,560	3136675
BR 1-12 Self Locking Nuts with T Right Offset Conn. Ele. (90°)	6	0,560	3136676
BR 1-13 Self Locking Nuts and T 45° Connection Element	6	0,560	3136668
BR 1-14 Self Locking Nuts and L Elbow 2 Hole Conn. Ele.	6	0,280	3136669
BR 1-15 Self Locking Nuts and L Elbow 4 Hole Conn. Ele.	6	0,563	3136670
BR 1-16 Self Locking Nuts and L Elbow 3 Hole Conn. Elm. 1	6	0,419	3136672

- Please indicate the order code in your orders.
- Please contact us for your orders with customized sizes.

INDUSTRIAL BUILD PROFILE

Profile Connection Elements with Self Locking Nuts

BR



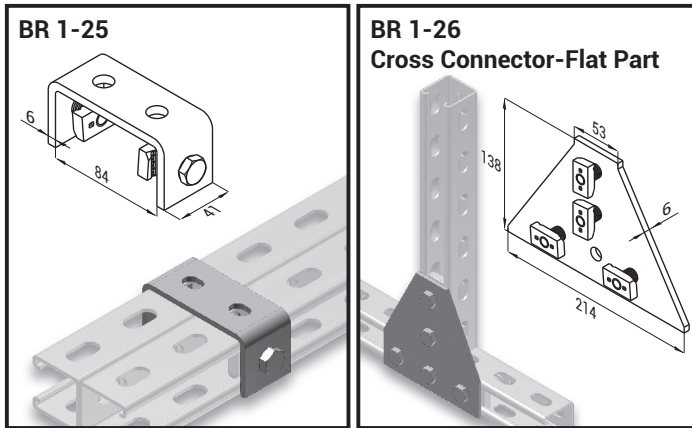
Product	Thickness T (mm)	Hot-Dip Galvanized (TS EN ISO 1461)	
		Weight (kg./pc.)	Order Code
BR 1-17 Self Locking Nuts and L Elbow 3 Hole Conn. Elm.2	6	0,419	3136664
BR 1-18 Self Locking Nuts and L Elbow 4 Hole Conn. Ele. 2	6	0,563	3136665
BR 1-19 Z Connection Part with Self Locking Nuts 1	6	0,359	3136666
BR 1-20 Z Connection Part with Self Locking Nuts 2	6	0,435	3136667
BR 1-21 Self Locking Nuts with U Bridge Conn. Ele. 1	6	0,600	3136659
BR 1-22 Self Locking Nuts with U Bridge Conn. Elm.2	6	0,730	3136660
BR 1-35 Self Locking Nuts with U Bridge Conn. Elm.3	6	0,756	3136661
BR 1-23 Self Locking Nuts with 135° Elbow Conn. Ele.	6	0,371	3136662
BR 1-24 Self Lockin Nuts with 60° Angled Conn. Ele.	6	0,566	3136663

- Please indicate the order code in your orders.
- Please contact us for your orders with customized sizes.

INDUSTRIAL BUILD PROFILE

Profile Connection Elements with Self Locking Nuts

BR



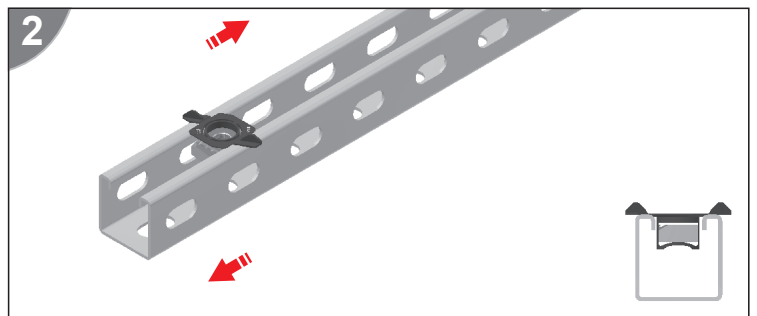
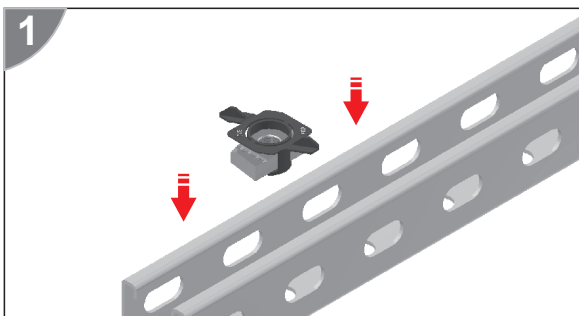
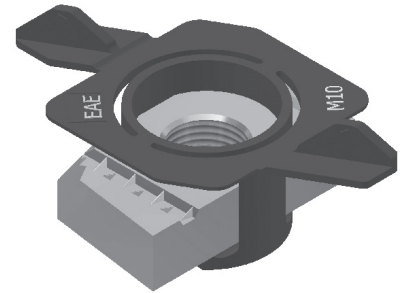
Product	Thickness T (mm)	Hot-Dip Galvanized (TS EN ISO 1461)	
		Weight (kg./pc.)	Order Code
BR 1-25 U Connection Part with Self Locking Nuts	6	0,451	3136655
BR 1-26 Cross Connector-Flat Part with Self Locking Nuts	6	1,072	3136656

- Please indicate the order code in your orders.
- Please contact us for your orders with customized sizes.

PROFILE JUNCTION ACCESSORIES

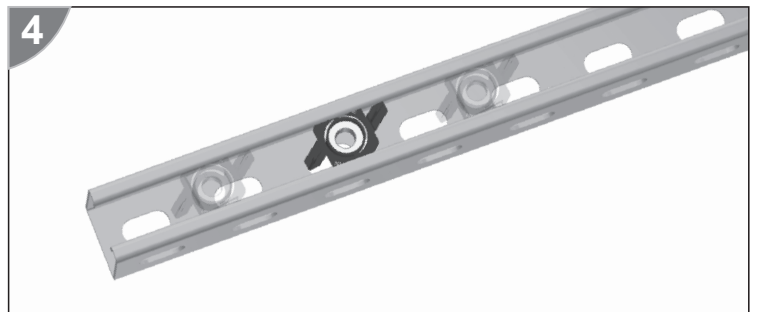
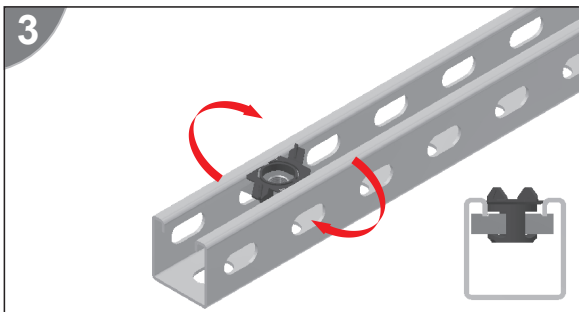
Product	Weight (kg./pc.)	Order Code
M6 Quick Binrak Nut	0,028	1021244
M8 Quick Binrak Nut	0,027	1021245
M10 Quick Binrak Nut	0,034	1021246
M12 Quick Binrak Nut	0,032	1021247

Quick Binrak Nut



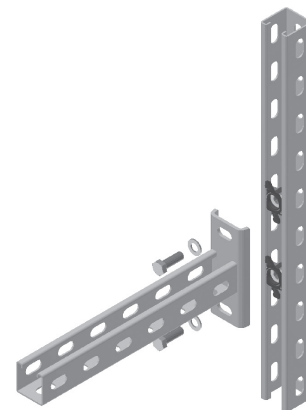
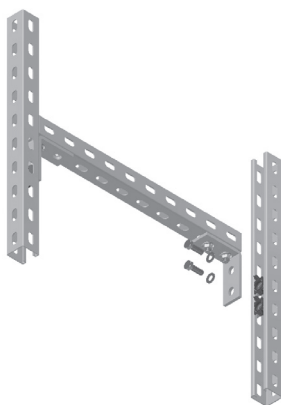
1-2.

Place the Quick Nut into Binrak Duct.



3-4.

By turning the Quick Nut in the direction of the arrow, select its position on the Binrak duct.



- Can be used in 21x41mm and 41x41mm bin rack conduits.
- Please indicate the order code in your orders.
- Please contact us for your orders with customized sizes.

PROFILE JUNCTION ACCESSORIES

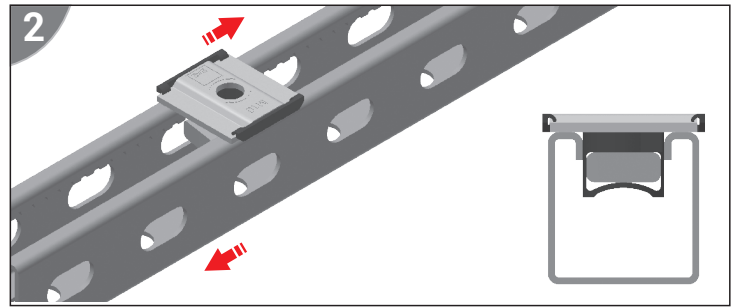
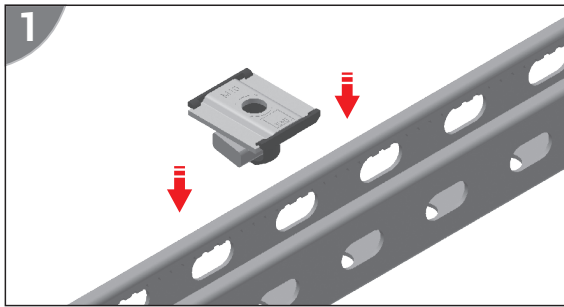
Product	Weight (kg./pc.)	Order Code
M8 Quick Traverse Nut	0,084	1004993
M10 Quick Traverse Nut	0,081	1004994
M12 Quick Traverse Nut	0,078	1004995

Quick Traverse Nut

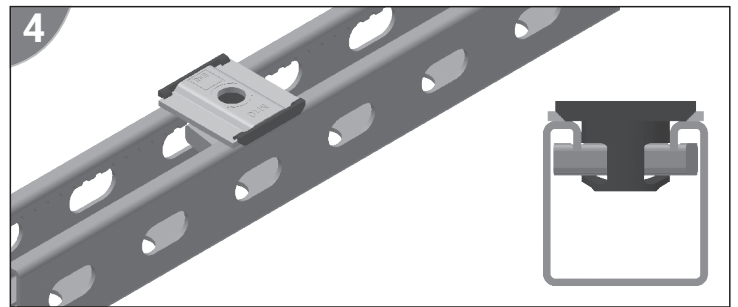
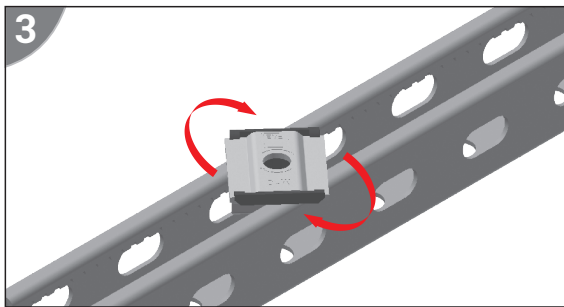


- Quick Traverse Nut;
Can easily be fixed at the desired position on the BinRak.
- Quick Traverse Nutis coated with Zinc flake

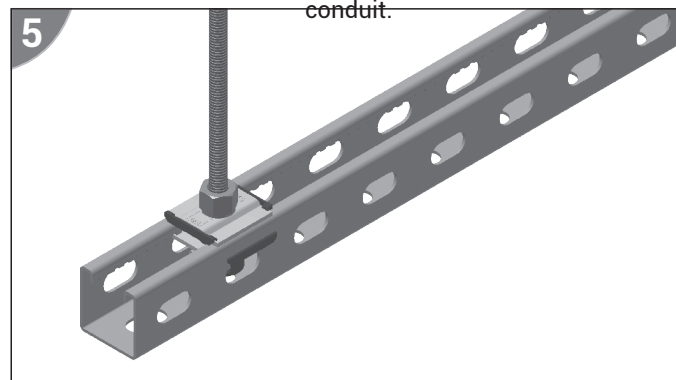
Use Quick Traverse Nut with suspensions and consoles. Prior to using Bin Rack junction pieces please contact your local representative for the application.



1-2. Place Swift Nut in Bin Rack conduit.



3-4. Rotate Swift Nut towards the arrow direction and identify the location on the bin rack conduit.



5. Anchor the swift nut at the required position by tightening.

- Can be used in 21x41mm and 41x41mm bin rack conduits.
- Please indicate the order code in your orders.
- Please contact us for your orders with customized sizes.

ASSEMBLY JUNCTION PIECES

Product	Weight (kg./pc.)	Order Code
Suspension Junction Bolt M6x20	0,007	1000550
Suspension Junction Bolt M8x20	0,012	1000559
Suspension Junction Bolt M10x30	0,027	1000566
Suspension Junction Bolt M12x30	0,039	1000695
M6 Spring Travers Nut	0,030	1004216
M8 Spring Travers Nut	0,028	1001311
M10 Spring Travers Nut	0,039	1001312
M12 Spring Travers Nut	0,038	1001313
M6 Travers Nut	0,020	1003108
M8 Travers Nut	0,025	1003105
M10 Travers Nut	0,035	1003106
M12 Travers Nut	0,038	1003107
Extension Piece (M8)	0,030	1004313
Extension Piece (M10)	0,070	1004312
Extension Piece (M12)	0,115	1004282
Stem Bar Suspension (M8x500)	0,145	5000039
Stem Bar Suspension (M8x1000)	0,295	5000038
Stem Bar Suspension (M8x1500)	0,440	5000035
Stem Bar Suspension (M8x2000)	0,600	5000036
Stem Bar Suspension (M8x3000)	0,897	5000006
Stem Bar Suspension (M10x500)	0,245	5000037
Stem Bar Suspension (M10x1000)	0,490	5000032
Stem Bar Suspension (M10x1500)	0,735	5000031
Stem Bar Suspension (M10x2000)	1,030	5000030
Stem Bar Suspension (M10x3000)	0,245	5000029
Stem Bar Suspension (M12x500)	0,350	5000026
Stem Bar Suspension (M12x1000)	0,700	5000034
Stem Bar Suspension (M12x1500)	1,010	5000025
Stem Bar Suspension (M12x2000)	1,300	5000024
Stem Bar Suspension (M12x3000)	2,100	5000000
Stm. Bar Susp.(M6x1000) Electro galvanized	0,222	5000357
Stm. Bar Susp.(M6x2000) Electro galvanized	0,444	5000358
Stm. Bar Susp.(M6x3000) Electro galvanized	0,666	5000359
Stm. Bar Susp.(M8x500) Electro galvanized	0,145	5000169
Stm. Bar Susp.(M8x1000) Electro galvanized	0,295	5000170
Stm. Bar Susp.(M8x1500) Electro galvanized	0,440	5000171
Stm. Bar Susp.(M8x2000) Electro galvanized	0,600	1004220
Stm. Bar Susp.(M8x3000) Electro galvanized	0,897	5000302
Stm. Bar Susp.(M10x500) Electro galvanized	0,245	5000172
Stm. Bar Susp.(M10x1000) Electro galvanized	0,490	5000173
Stm. Bar Susp.(M10x1500) Electro galvanized	0,735	5000174
Stm. Bar Susp.(M10x2000) Electro galvanized	1,030	5000175
Stm. Bar Susp.(M10x3000) Electro galvanized	1,571	5000301
Stm. Bar Susp.(M12x500) Electro galvanized	0,350	5000176

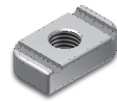
Spring Travers Nut

M6
M8
M10
M12



Travers Nut

M6
M8
M10
M12

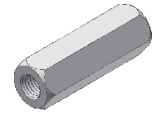


Suspension Junction Bolt

M6x20
M8x20
M10x30
M12x30



M8
M10
M12



(Lacquer coated)

Washer

M8
M10
M12



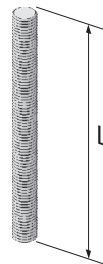
(Lacquer coated)

Nut

M8
M10
M12



M8
M10
M12



Product	Weight (kg./pc.)	Order Code
M8 Steel Nut	0,005	1000521
M10 Steel Nut	0,010	1000522
M12 Steel Nut	0,015	1000964
M8 Washer	0,002	1000502
M10 Washer	0,003	1000504
M12 Washer	0,005	1000505
M8 Spring Lock Washer	0,001	1000507
M10 Spring Lock Washer	0,002	1000508
M12 Spring Lock Washer	0,003	1000509

- Please indicate the order code in your orders.
- Please contact us for your orders with customized sizes.

ASSEMBLY JUNCTION PIECES

Product	Weight (kg./pc.)	Order Code
EAE Pull-Type Expansion Bolt (M6)	0,007	1000550
EAE Pull-Type Expansion Bolt (M8)	0,012	1000559
EAE Pull-Type Expansion Bolt (M10)	0,027	1000566
EAE Pull-Type Expansion Bolt (M12)	0,039	1000695
Nailing Expansion Bolt (M8)	0,030	1004216
Nailing Expansion Bolt (M10)	0,028	1001311
Jacketed Expansion Bolt (M6)	0,039	1001312
Jacketed Expansion Bolt (M8)	0,038	1001313
Jacketed Expansion Bolt (M10)	0,020	1003108
Jacketed Expansion Bolt (M12)	0,025	1003105
Pull-type S Expansion Bolt (M6)	0,035	1003106
Pull-type S Expansion Bolt (M8)	0,038	1003107
Pull-type S Expansion Bolt (M10)	0,030	1004313
Pull-type S Expansion Bolt (M12)	0,070	1004312



Nailing Expansion Bolt



Pull-type S Expansion Bolt



Jacketed Expansion Bolt



EAE Pull-Type Expansion Bolt

Pull-type S Expansion Bolt

M	L (mm)	ØD (mm)	H (mm)
M6	45	10	50
M8	57	12	60
M10	63	15	70
M12	75	18	85

Nailing Expansion Bolt

M	L (mm)	ØD (mm)	H (mm)
M8	30	10	30
M10	40	12	40

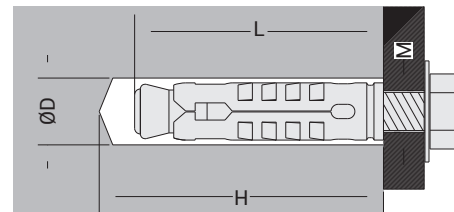
EAE Pull-type Expansion Bolt (Pipe Type)

M	L (mm)	ØD (mm)	H (mm)
M6	65	10	75
M8	60	11	70
M10	85	15	95
M12	90	16	100

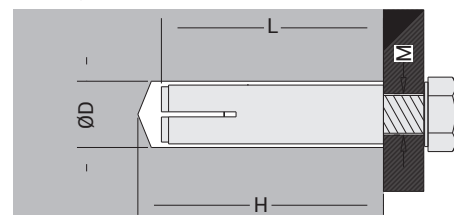
Pull-type Expansion Bolt (Jacketed)

M	L (mm)	ØD (mm)	H (mm)
M6	46	8	55
M8	75	10	80
M10	85	12	95
M12	90	16	100

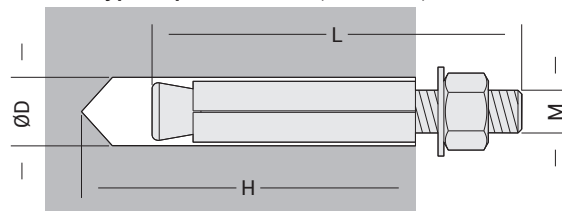
Pull-type S Expansion Bolt



Nailing Expansion Bolt



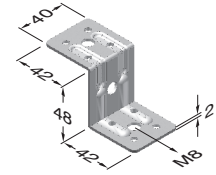
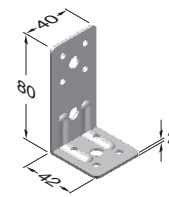
Pull-type Expansion Bolt (Jacketed)



- Please indicate the order code in your orders.
- Please contact us for your orders with customized sizes.

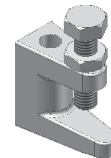
PROFILE JUNCTION ACCESSORIES

Product	Weight (kg./pc.)	Order Code
Stem bar Junction Piece	0,074	3008265
Stem bar Ceiling Junction Piece	0,076	3008324
Cable Conduit Joint Bolt M6x12	0,009	1004314
Bin rack Joint Bolt M8x15	0,010	1004285
M8 Cramp	0,170	5000004
M10 Cramp	0,180	5000005
M8 Hinged Cramp	0,220	5000001
M10 Hinged Cramp	0,230	5000002
M12 Hinged Cramp	0,340	5000003
EAE Zinc Tube Spray		1000172
Zinc Coating (1kg)		1015740
Zinc Coating (5kg)		1015741



Cramp

M8
M10



Hinged Cramp

M8
M10
M12



EAE
Zinc
Spray

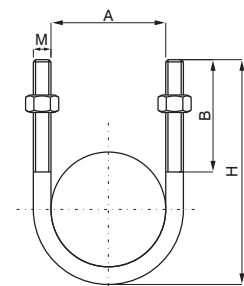
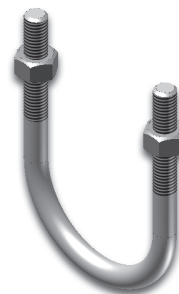


400ml

Zinc Coating



Product	A	H	B	M	Weight (kg./pc.)	Order Code
U Bolt 1/2"	24	50	30	M6	0,049	1003652
U Bolt 3/4"	30	60	30	M6	0,052	1003653
U Bolt 1"	36	70	30	M8	0,054	1003654
U Bolt 1 1/4"	46	80	40	M8	0,063	1003655
U Bolt 1 1/2"	52	90	50	M8	0,068	1003656
U Bolt 2"	64	100	50	M10	0,136	1003657
U Bolt 2 1/2"	78	120	50	M10	0,155	1003658
U Bolt 3"	94	140	60	M12	0,266	1003659
U Bolt 4"	118	160	65	M12	0,332	1003661
U Bolt 5"	146	200	65	M12	0,400	1003662
U Bolt 6"	172	220	90	M16	0,756	1003660
U Bolt 8"	224	270	90	M16	1,500	1004128



- Please indicate the order code in your orders.
- Please contact us for your orders with customized sizes.


- EAE recommends the cut areas of the products to be applied with ZINGA coating.

Component List	Quantity
Item	Component

Company :
Project :
Project No :

Name :
Date :
Signature :

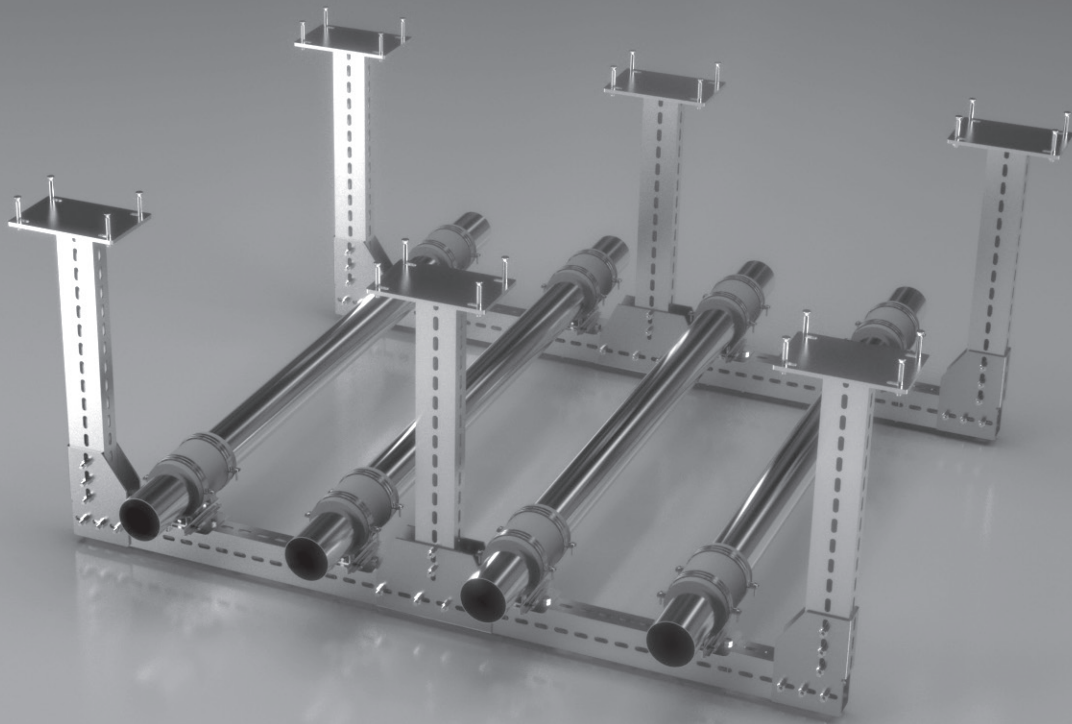
Prepared by

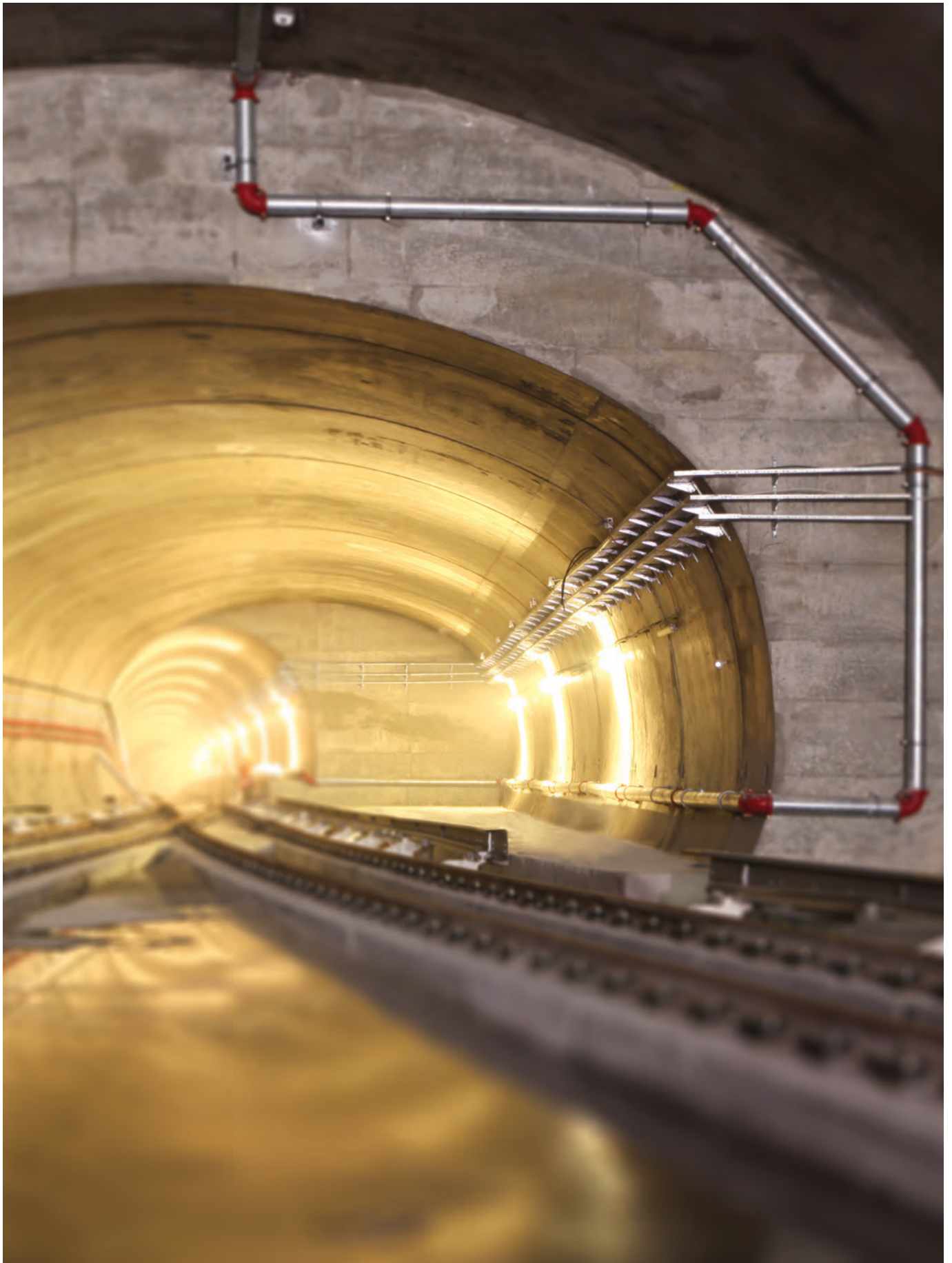


Please duplicate this page for your own use.

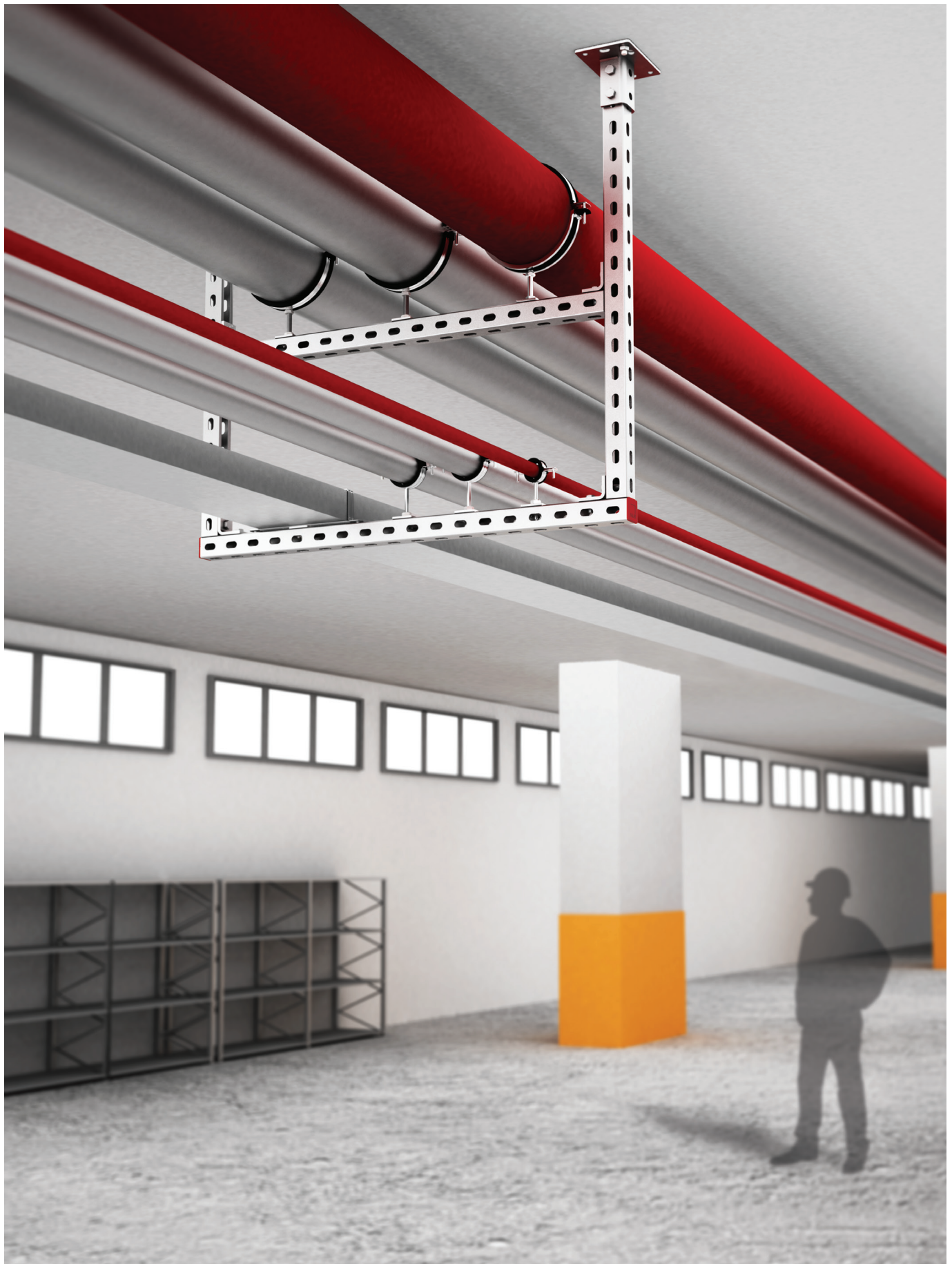


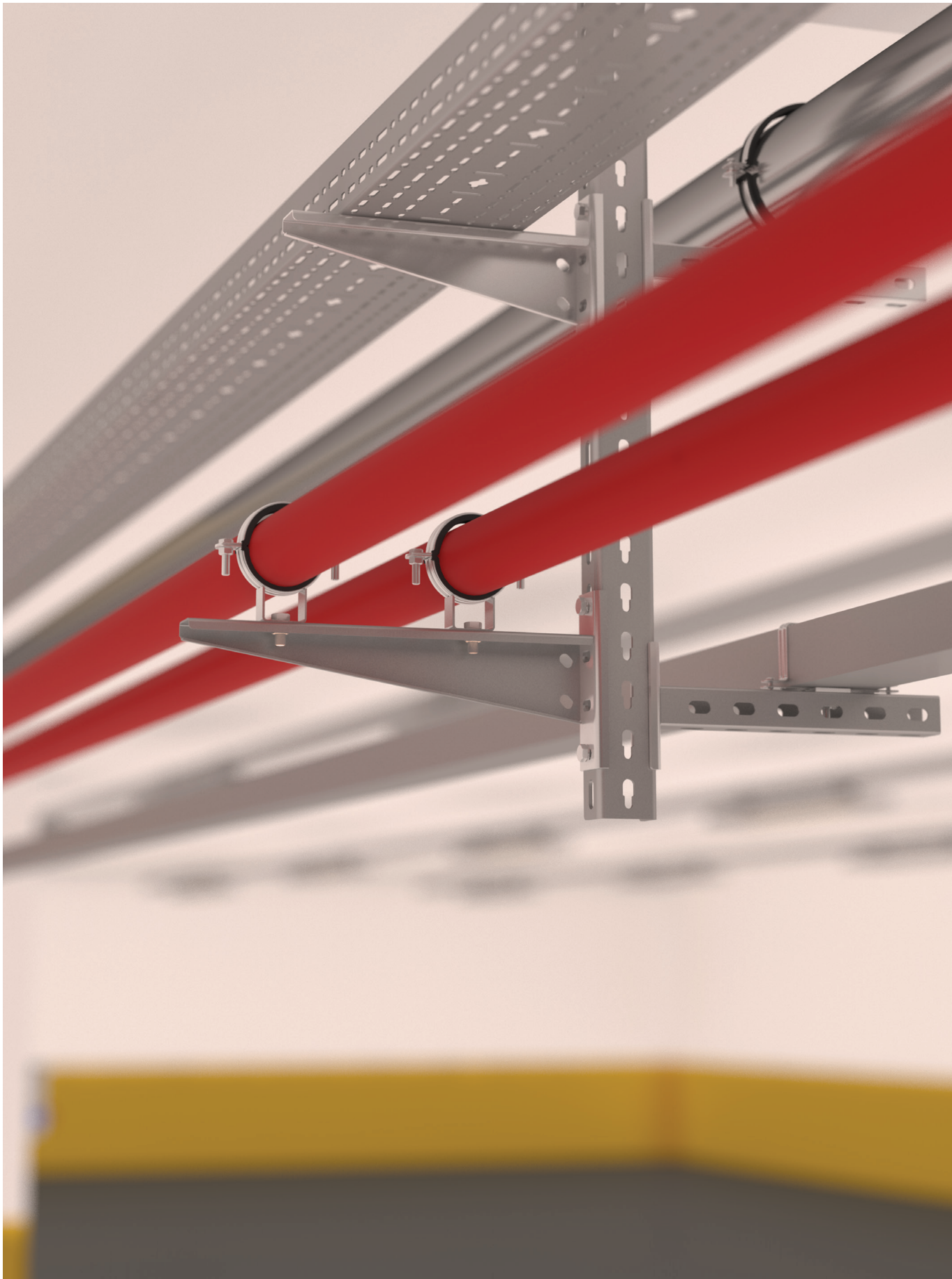
ASSEMBLY APPLICATIONS













►► Declaration

CE DECLARATION OF CONFORMITY

Product Group Electro-Mechanical Support And Suspension Systems

Manufacturer EAE Elektrik Asansor End. Insaat San. ve Tic. A.S.
Akcaburgaz Mahallesi, 3114. Sokak,
No:10 34522 Esenyurt-Istanbul

The objects of the declaration described below is in conformity with the relevant Union harmonisation legislation. This declaration of conformity is issued under the sole responsibility of the manufacturer.

Standard :

TS EN 61537

"Electro-Mechanical Support And Suspension Systems"

CE - Directive

305/2011/EU "Construction Products Directive"

Technical Document Preparation Official ;

EAE Elektrik Asansor End. Insaat San. ve Tic. A.S.
Akcaburgaz Mahallesi, 3114. Sokak, No:10 34522 Esenyurt-Istanbul

Emre GÜRLEYEN

Date

20.04.2016

Document Authorized Signatory

Elif Gamze KAYA OK
Deputy General Manager





Project Design Form

Component List		Quantity
Item	Component	
Company :		Prepared by
Project :		
Project No :		
Name :		Date :
		Signature :

Please duplicate this page for your own use.



PRODUCT TYPES



BUSWAY ENERGY DISTRIBUTION SYSTEMS



CABLE TRAYS



TROLLEY BUSWAY ENERGY DISTRIBUTION SYSTEMS



INDOOR SOLUTIONS



SUPPORT SYSTEMS

Please visit our website for the updated version of our catalogues.
www.eaelectric.com



EAE Elektrik A.S.
Head Office
Akcaburgaz Mahallesi,
3114. Sokak, No:10 34522
Esenyurt - Istanbul - TURKEY
Tel: +90 (212) 866 20 00
Fax: +90 (212) 886 24 20

EAE DL 1 Factory
Cable Tray
Makine Ihtisas Organize Sanayi
Bolgesi Mahallesi, 6. Cadde,
8. Sokak, No:2 41455
Dilovası - Kocaeli - TURKEY
Tel: +90 (262) 502 05 65
Fax: +90 (262) 502 05 70

Please visit our website for the updated version of our catalogues.
www.eaeelectric.com

IEC 61439-6



Catalogue 45-Eng / Rev 05 0000 pcs. 22/11/2021
D.S.

EAE has full right to make any revisions or changes on this catalogue without any prior notice.

