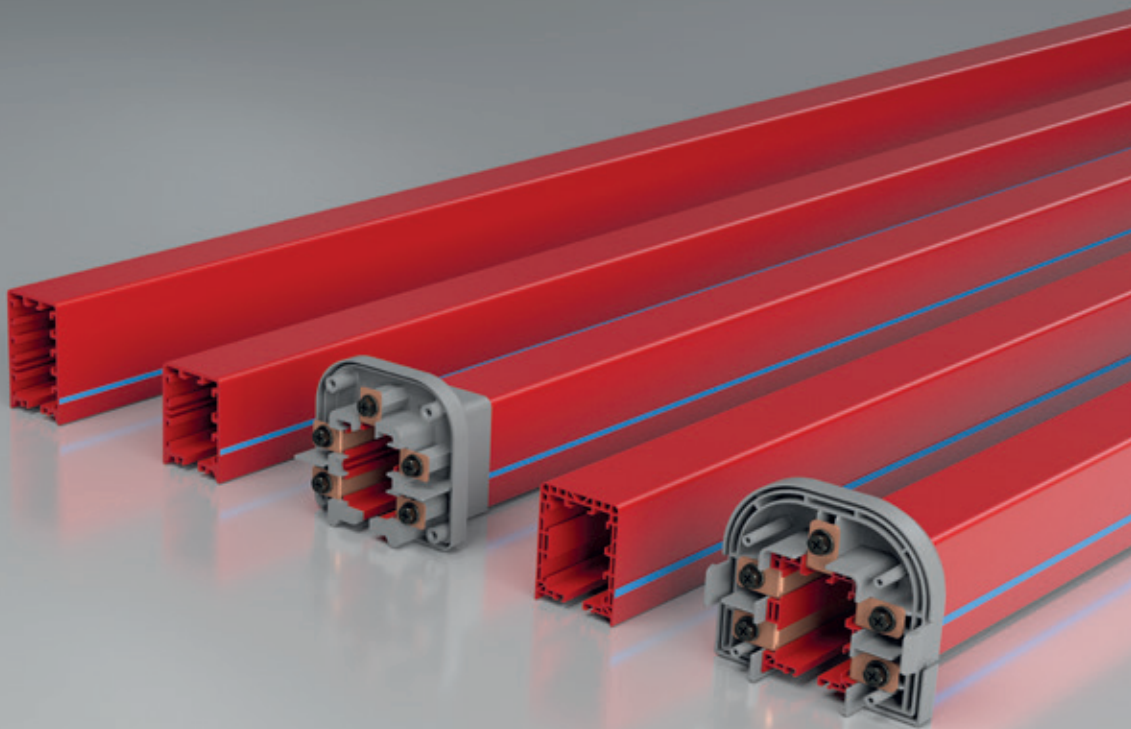




E-LINE TROLLEY BUSBAR

Trolley Busbar Systems



E-LINE TROLLEY BUSBAR

Please visit our website for the updated version of our catalogues.
www.eaelectric.com



EAE Group in numbers;



1973
year of foundation

Founded in 1973, EAE Elektrik A.S. being the parent company of EAE Group is a worldwide manufacturer of electrical products.

Founded : in 1973
Closed Manufacturing Area : 280.000m²
Range of Products : Busbar Power Distribution Systems
Lighting Busbar Systems
Cable Tray Systems
Underfloor Trunking
Trolley Busbar Systems



280.000m²
closed manufacturing
area

Companies : EAE Elektrik
EAE Aydınlatma
EAE Elektroteknik
EAE Teknoloji
EAE Makina



5
manufacturing
plants

Number of Plants : 5

“Lean Production” and “Innovative and Customer Driven Product Development” approaches are the key values utilized in designing and manufacturing the product families in compliance with ISO 9001, ISO 14001, OHSAS 18001 and ISO 27001.



3
R&D Centers

EAE Elektrik A.S. busbar products are certified by KEMA/DEKRA (Holland), KEMA - KEUR, UL classified laboratories as per IEC 61439-1/6 standards.



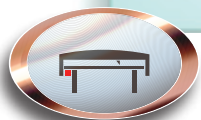
100+
countries of export



• Bridge Cranes



• Monorail Systems



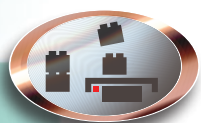
• Textile Cutting and Spreading Tables



• AS/RS Storage Systems



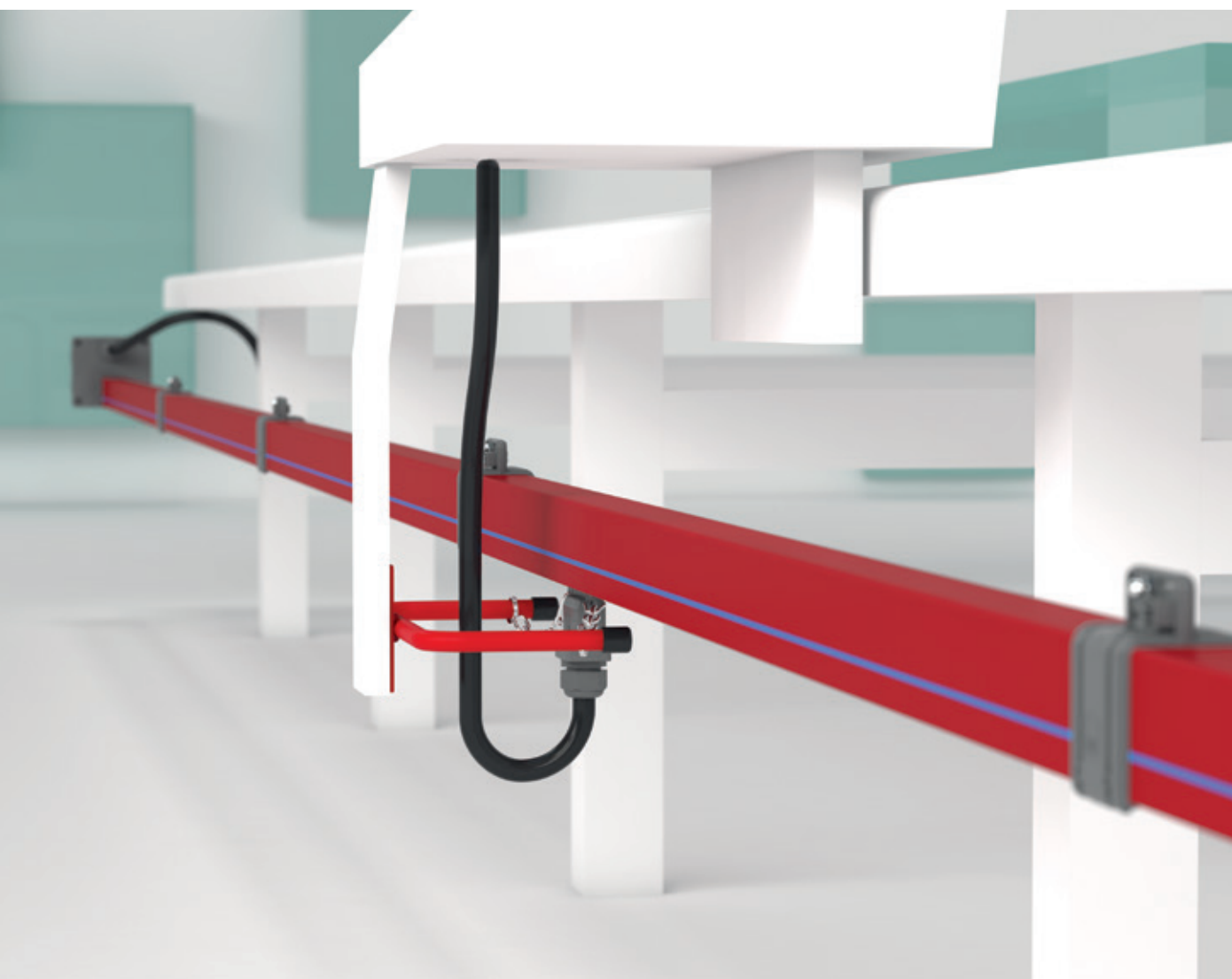
• Moving Ceiling and Door Systems



• Assembly and Test Lines



E-LINE TBS



E-LINE TBS

Please visit our website for the updated version of our catalogues.
www.eaelectric.com



CONTENTS

▶▶ E-LINE TBS

Trolley Busbar Systems	2
Order Code System	3
TBS PVC Housing.....	4
TBS Feeder Unit.....	5-6
TBS Repair Zone.....	7
TBS Current Collector	8-9
System Components.....	10-11
Voltage Drop, Calculation Of Feeding Points.....	12
TBS Trolley Busbar Installation Manual	13-14

►► TROLLEY BUSBAR SYSTEMS

- Bridge Cranes
- Monorail Systems
- Textile Cutting and Spreading Tables
- AS/RS Storage Systems
- Moving Ceiling and Door Systems
- Assembly and Test Lines

It consists of copper conductors and current collectors in the C-PVC body. The uninterrupted energy supply and movement of the system is provided by current collectors connected to the system mechanically.

The eliminates the possibilities such as accident, malfunction in energy distribution with suspended and reel cable in conventional systems. Conductors are enclosed in C-PVC housing and personnel safety is maximized.

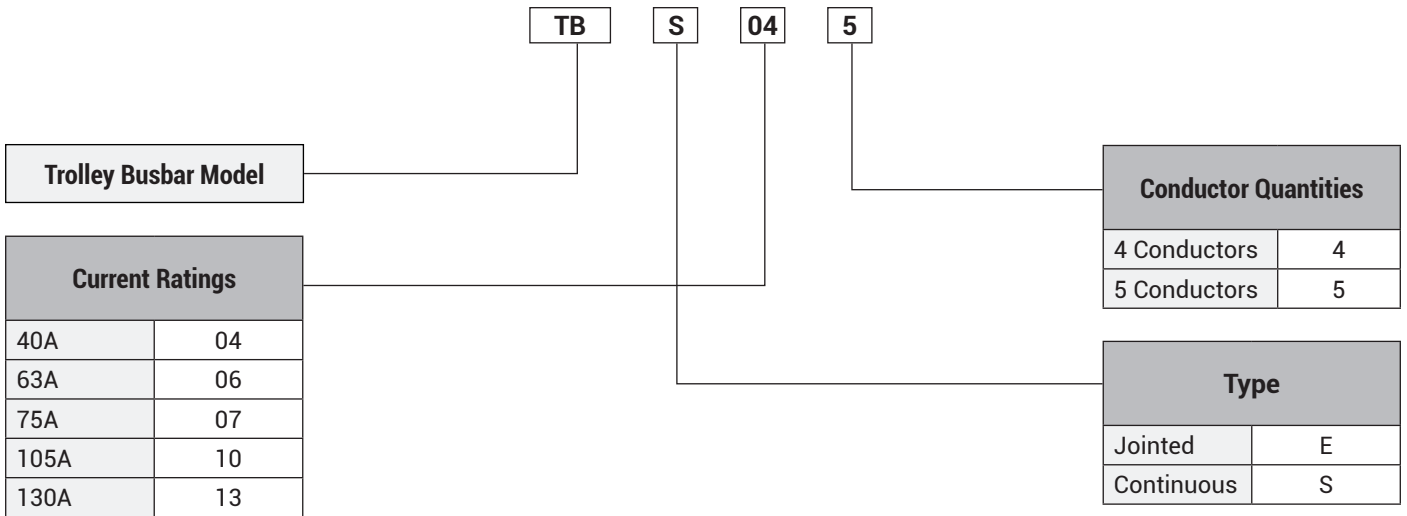
There is no fixed connection between the conductor housings and the conductors and between the C-PVC housing and the sliding hangers, the necessary expansion opportunity is provided, therefore the expansion element is unrequired.

Cautions:

If it is used in external environments exposed to rain, it is recommended to protect it with a cover such as a canopy.

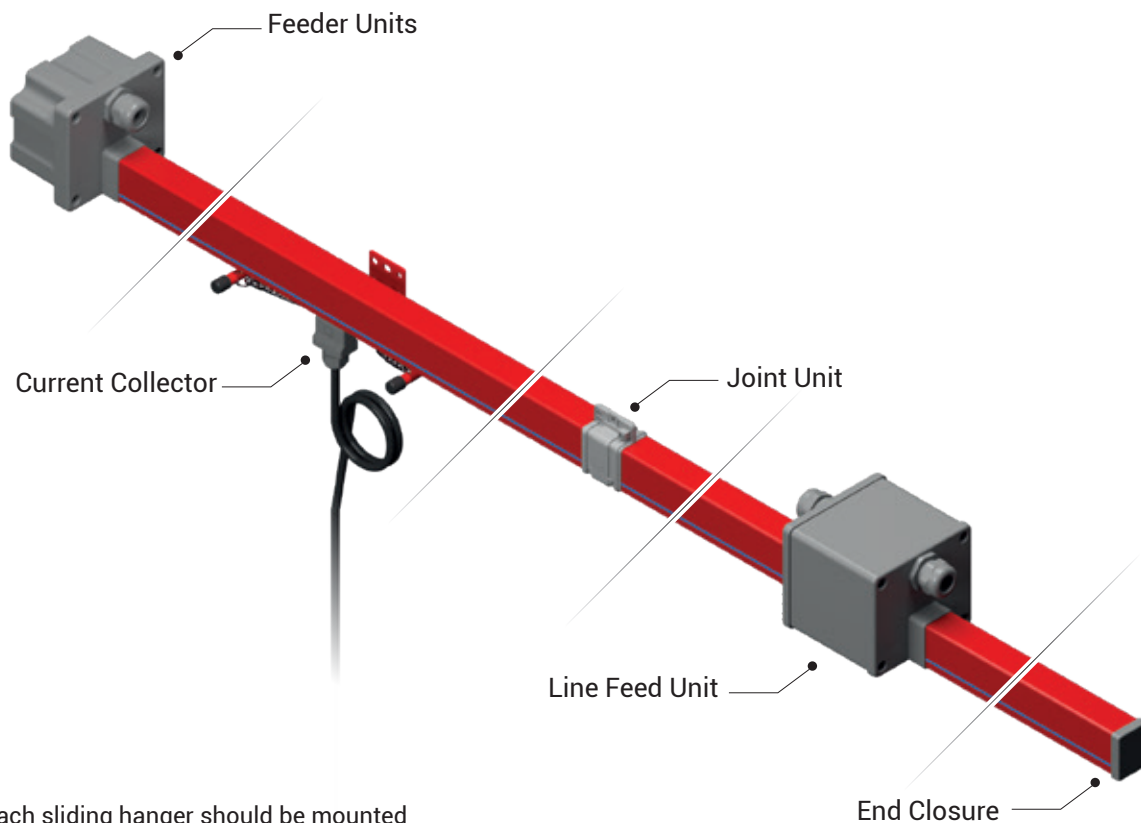


►► ORDER CODE SYSTEMS



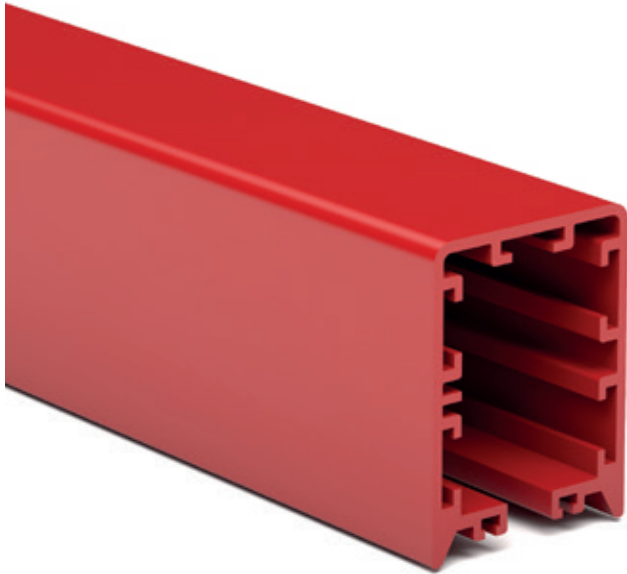
►► TECHNICAL FEATURES

Rated Current (A)		40	63	75	105	130
Conductor Quantities (pcs)		4-5	4-5	4-5	4-5	4-5
Rated Voltage (AC) (V)		690	690	690	690	690
Dielectric Properties (kV/mm)		30	30	30	30	30
Frequency (Hz)		50/60	50/60	50/60	50/60	50/60
Resistance (20°C) R ₂₀ (mΩ/m)		1,300	1,018	1,280	0,800	0,570
Resistance (35°C) R ₃₅ (mΩ/m)		1,420	1,176	1,460	0,920	0,660
Reactance X (mΩ/m)		0,160	0,447	0,140	0,060	0,250
Impedance Z (mΩ/m)		1,429	1,258	1,467	0,922	0,706
Standard Length (m)		4	4	4	4	4



Note: Each sliding hanger should be mounted between 1,30m - 1,50m.

▶▶ TBS TROLLEY BUSBAR



The housing has a structure that can use maximum 5 conductors. There is safety system that prevents the current collector to be fixed inversely.

Continuous Copper Conductors

Electrolytic copper conductors can be applied without interruption at a maximum length of 150 m.

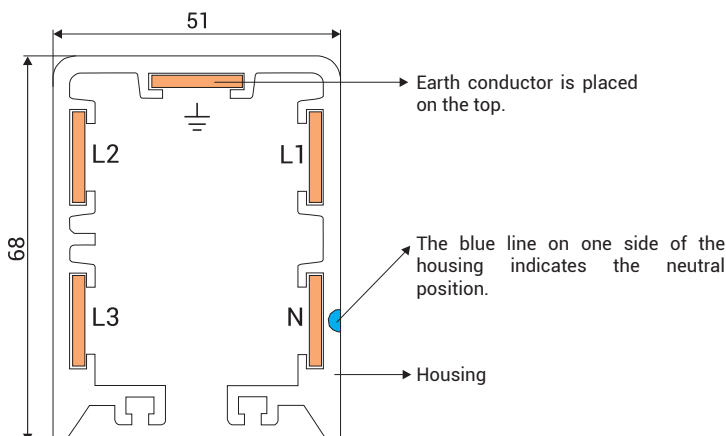
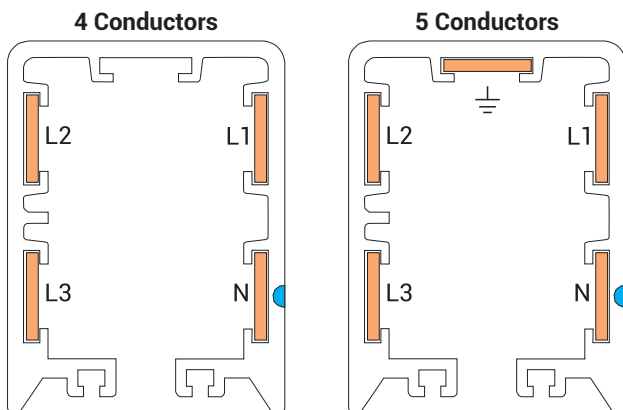
- **Number of Conductors:** 4 or 5 conductors
- **Colour:** Red.
- **Temperature range:** -40°C , +55°C.
- **Standard housing length:** 4 meters.
- **Protection:** Standard IP24, Gasket, IP44.
- **Non-Flammable Characteristics:** UL 94 V0
- Housing is made of C-PVC and plastic accessories are made of PA6 raw material.
- Conductors are protected against hand contact inside the insulating housing.
- There is a neutral line on the housing indicating the neutral conductor.

Description	Weight (gr/m)	Order Code
TB5 Trolley Busbar Housing	1250	2037290

Standard 4 Meters

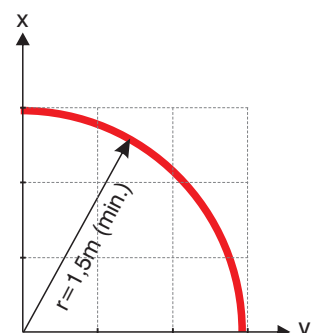
Model	Conductors Quantity-Current (A)	Weight (gr/m)	Conductor Cross Section (mm ²)	Order Code
TBS 044	4P - 40A	1700	4x11,20	3024465
TBS 064	4P - 63A	1750	4x12,80	3182880
TBS 074	4P - 75A	1900	4x16,00	3024466
TBS 104	4P - 105A	2200	4x24,00	3024467
TBS 134	4P - 130A	2450	4x32,00	3024468
TBS 045	5P - 40A	1800	5x11,20	3024461
TBS 065	5P - 63A	1850	5x12,80	3182877
TBS 075	5P - 75A	2050	5x16,00	3024462
TBS 105	5P - 105A	2400	5x24,00	3024463
TBS 135	5P - 130A	2750	5x32,00	3024464

Joint plastics are not included in the weight values.
Total weight of the joint plastics and bolts is 100 gr..

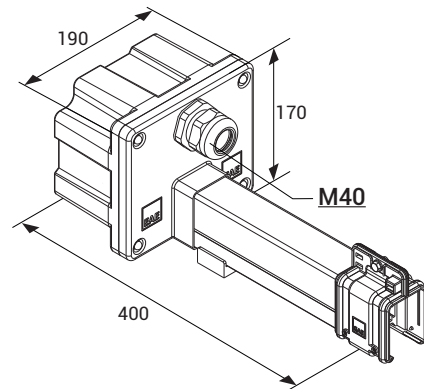
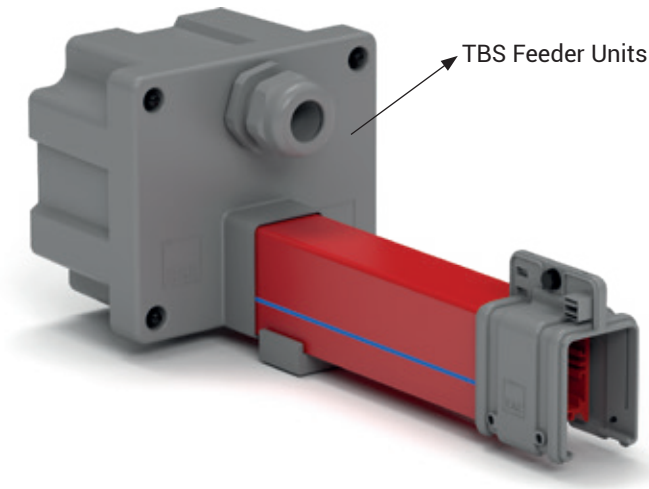


Radius Trolley Busbar

It has minimum 1.5m radius Trolley Busbar available in vertical axes. Radius Trolley Lines can be applied with maximum 4 conductors.



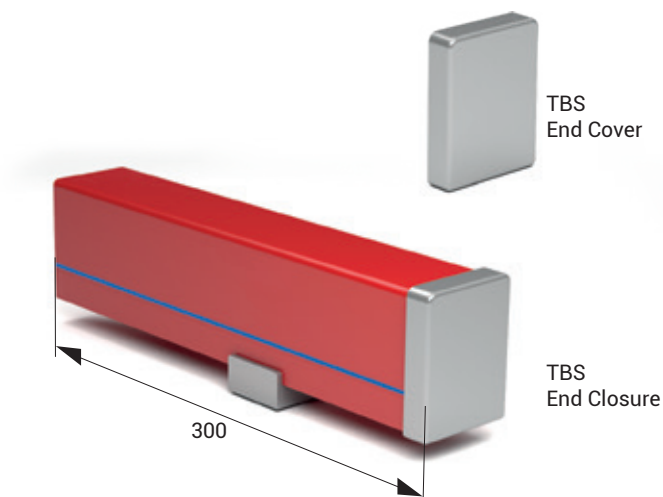
►► TBS FEEDER BOX



Description	Weight (gr)	Order Code
TBS Feeder Units	1000	3024457
TBS Feeder Units	650	3179927

Type of the feeder box is selected by calculating the voltage drop and the location of the power supply that shall provide power to the system.

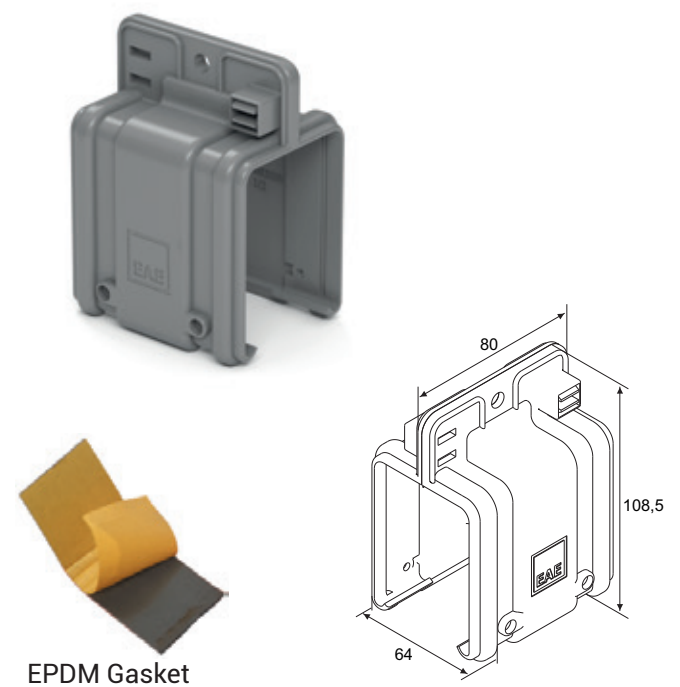
►► TBS END CLOSURE



The end closure placed on the end of the busbar line prevents the exposure of the conductors, protects the system, and prevents the current collector from moving out of the housing.

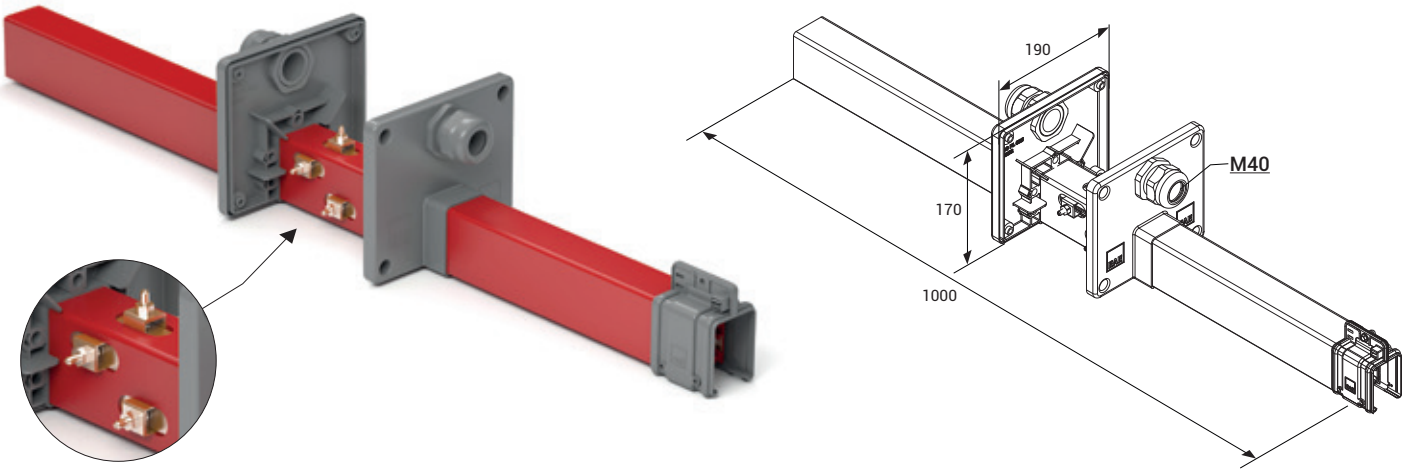
Description	Weight (gr)	Order Code
TBS End Closure	450	3024419
TBS End Cover	25	1003109

►► TBS JOINT UNIT



Description	Weight (gr)	Order Code
TBS Joint Unit	90	1003663

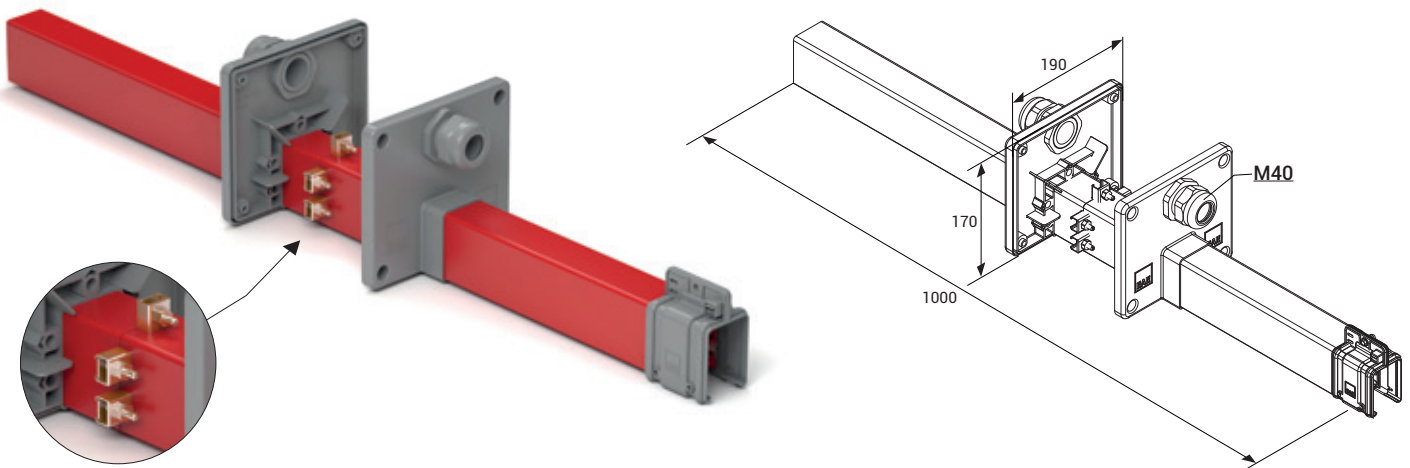
▶▶ TBS LINE FEED UNITS - CONTINUOUS TYPE



Description	Weight (gr)	Order Code
TBS Line Feed Unit - Continuous Type	2350	3024458

Type of the feeding element is selected by calculating the voltage drop and the location of the power supply that shall provide power to the system.

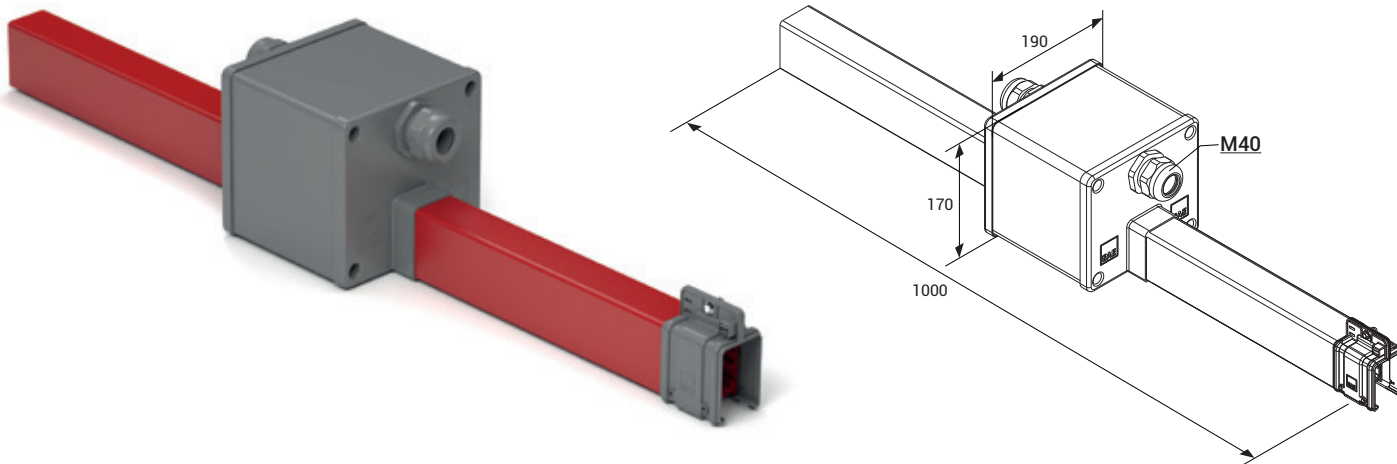
▶▶ TBS LINE FEED UNITS - JOINTED TYPE



Description	Weight (gr)	Order Code
TBS Line Feed Unit - Jointed Type	2450	3024472

Type of the feeding element is selected by calculating the voltage drop and the location of the power supply that shall provide power to the system.

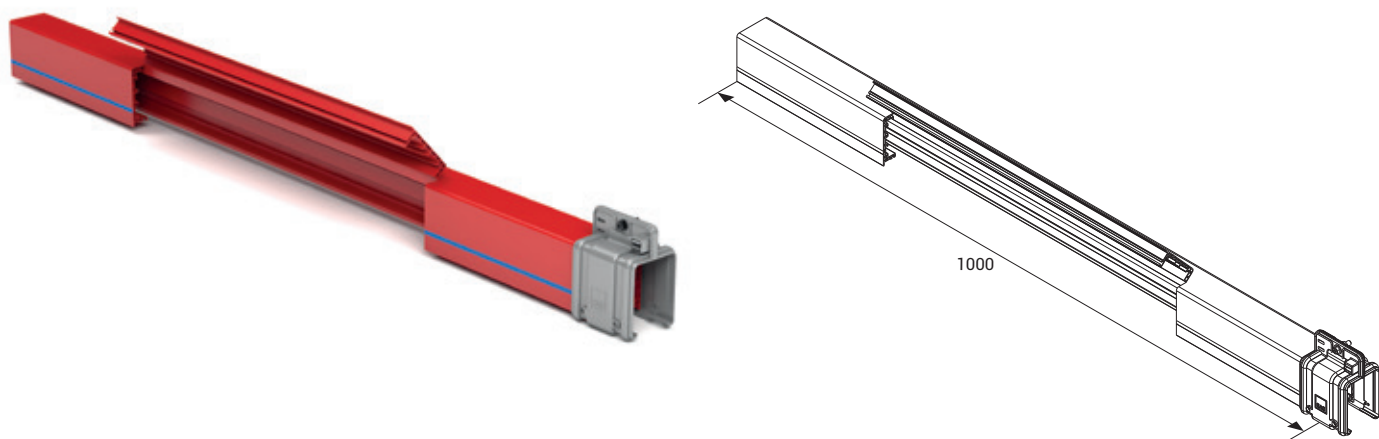
►► TBS REPAIR ZONE UNIT



Description	Weight (gr)	Order Code
TBS Repair Zone Module	2550	3066696

Current supply shall be cut off when a machine working on the line shall be maintained or repaired. Repair zone module is used to create a currentless area on the busbar so that the other machines operating on the same line may continue to work.

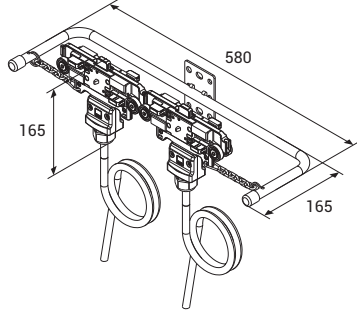
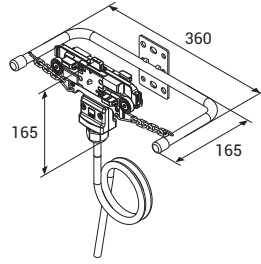
►► TBS CURRENT COLLECTOR REPLACEMENT MODULE



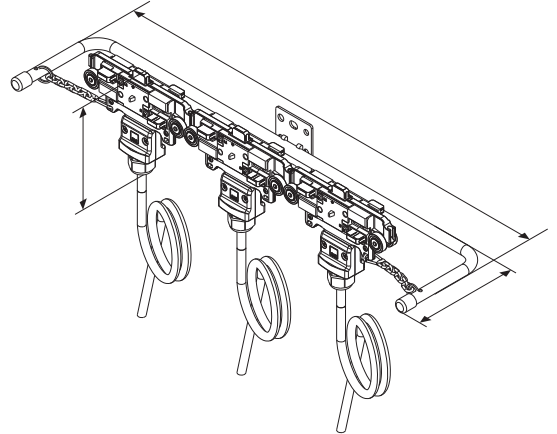
Description	Weight (gr)	Order Code
TBS Current Collector Replacement Module	1500	3024471

This unit is used to remove an existing current collector or to add extra trolleys. The unit is obtained by cutting a 50cm section from the PVC housing.

▶▶ TB5 CURRENT COLLECTORS WITH CABLE

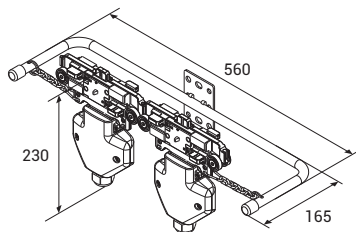
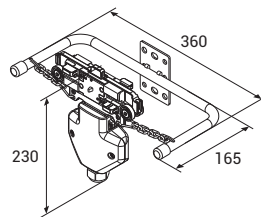
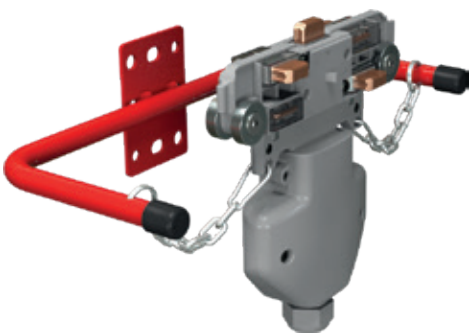


Model	Brushes Number-Current (A)	Weight (gr)	Order Code
TB5	4P - 35A (Single)	1700	3024385
	4P - 70A (Double)	2950	3024386
	4P - 105A (Triple)	4450	3024387
	5P - 35A (Single)	1900	3024376
	5P - 70A (Double)	3250	3024377
	5P - 105A (Triple)	4700	3024378



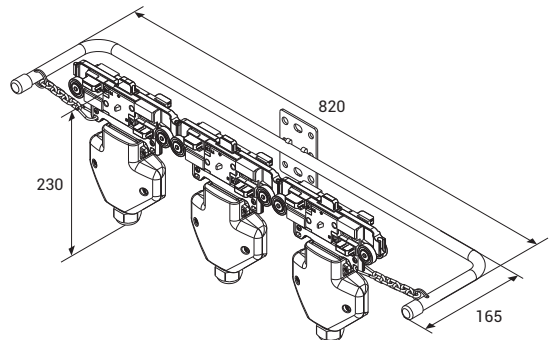
Model	Brushes Number-Current (A)	Weight (gr)	Order Code
TB5	4P - 60A (Single)	2000	3203193
	4P - 120A (Double)	3550	3269558
	5P - 60A (Single)	2200	3203194
	5P - 120A (Double)	3850	3269559

▶▶ TB5 CURRENT COLLECTORS WITH CLIP



Model	Brushes Number-Current (A)	Weight (gr)	Order Code
TB5	4P - 35A (Single)	1350	3024388
	4P - 70A (Double)	2050	3024389
	4P - 105A (Triple)	3050	3024390
	5P - 35A (Single)	1350	3024379
	5P - 70A (Double)	2250	3024380
	5P - 105A (Triple)	3200	3024381

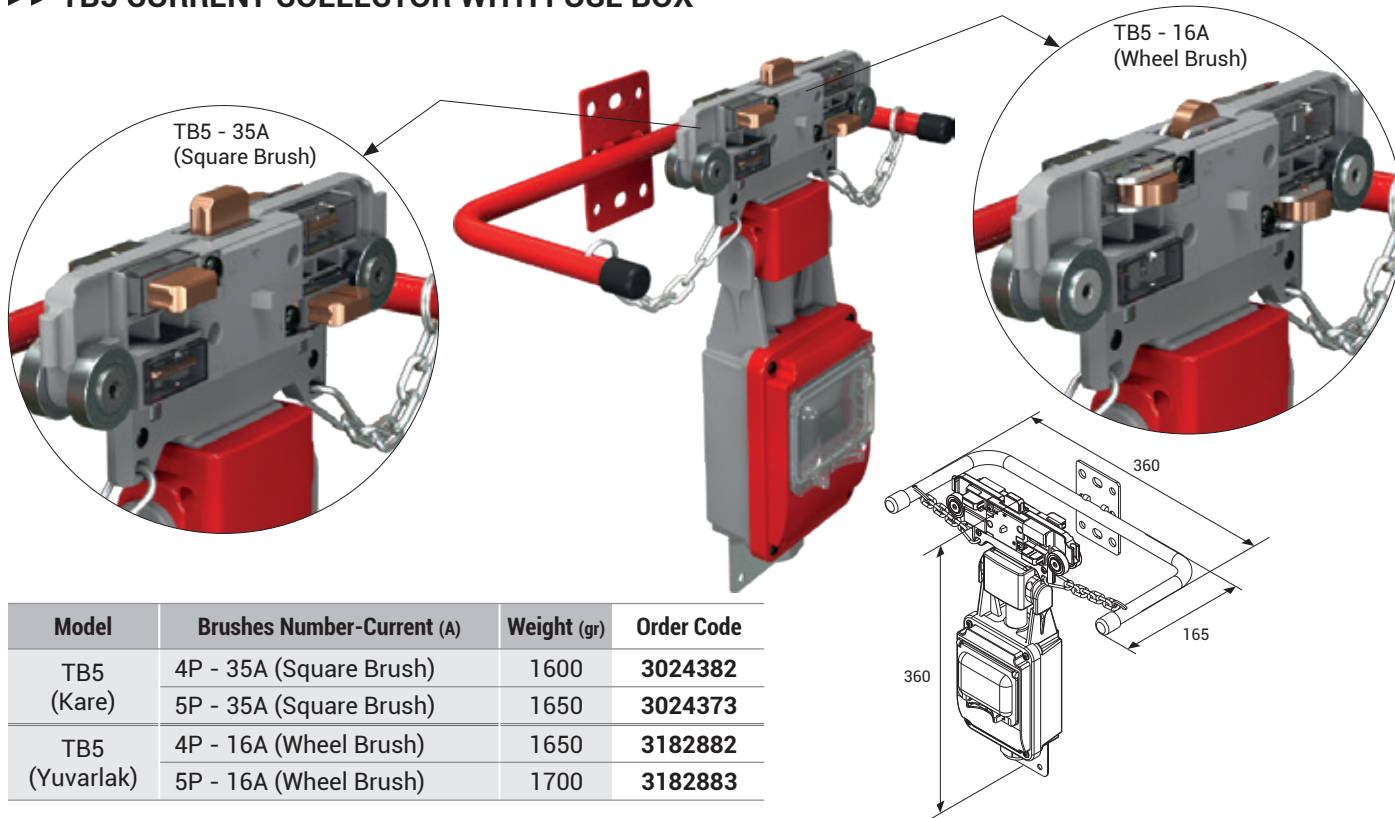
*Produced with standard M40 cable gland and 4mm² clip.



Current collector with clips allow the customers to perform cabling as they desire with the clips they include.

Current collector are the moving elements of the trolley busbar systems. Current collector brushes rub against the conductors and draw continuous current while they move through the busbar line. They adapt to shaky and vibrant conditions thanks to the moving brushes. As current collecting and transfer systems are included in the C-PVC housing, they are protected against human contact.

▶▶ TB5 CURRENT COLLECTOR WITH FUSE BOX



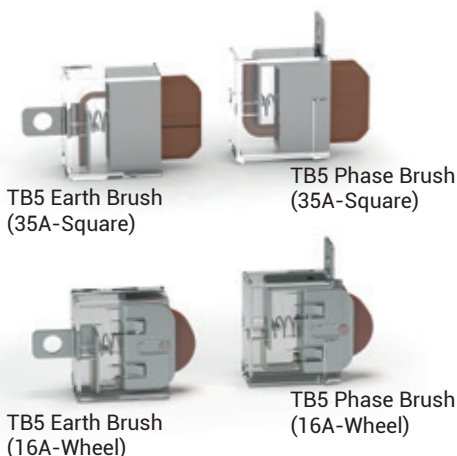
Model	Brushes Number-Current (A)	Weight (gr)	Order Code
TB5 (Kare)	4P - 35A (Square Brush)	1600	3024382
	5P - 35A (Square Brush)	1650	3024373
TB5 (Yuvarlak)	4P - 16A (Wheel Brush)	1650	3182882
	5P - 16A (Wheel Brush)	1700	3182883

Fuse boxed with both staff and current receiving area carts current machine's safety can be raised to a higher level. In addition, when it is desired to cut the power of one of the machines on a line, the current is cut off through the fuse, other machines on the line can continue to operate.

Current collector with Wheel Brush simplify the movement of the current collectors inside the busbar by reducing the time at the installation tables when movement is provided by the personnel.

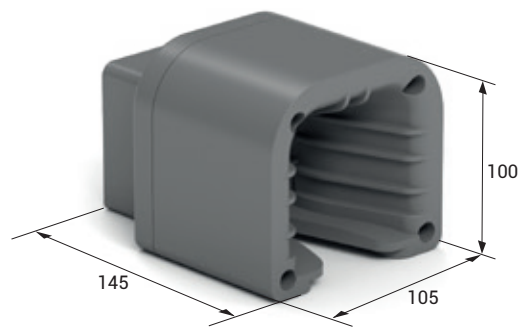
TB5 Current collector models operating speed is max. 100m/min.

▶▶ TB5 CURRENT COLLECTOR BRUSHES



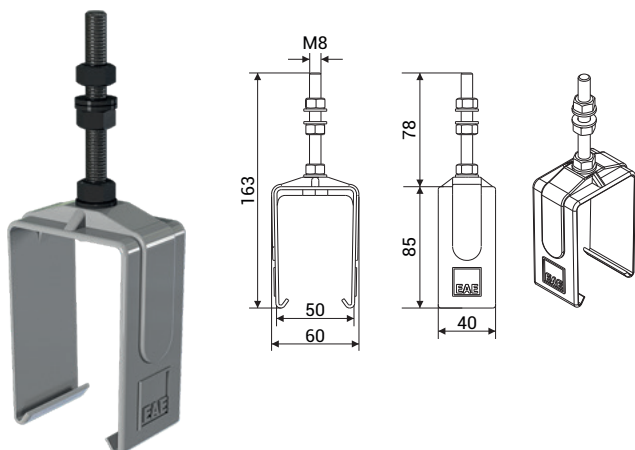
Description	Weight (gr)	Order Code
TB5 Phase Brush (35A-Square)	40	3024371
TB5 Earth Brush (35A-Square)	40	3024372
TB5 Phase Brush (16A-Wheel)	40	3165078
TB5 Earth Brush (16A-Wheel)	40	3165080

▶▶ TB5 TROLLEY TRANSFER TOOL

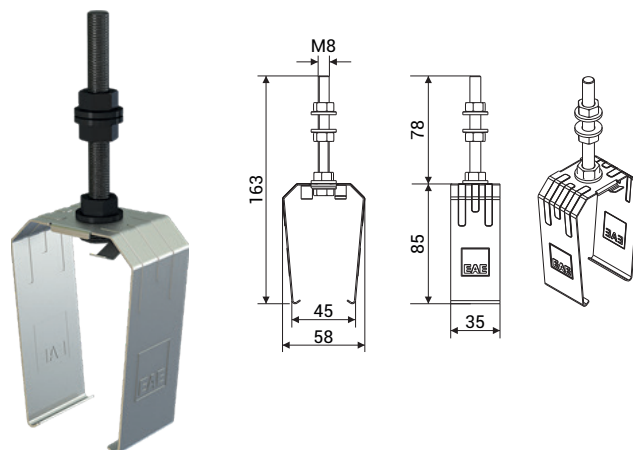


Description	Weight (gr)	Order Code
TB5 Trolley Transfer Tool	250	3179189

▶▶ TB5 PLASTIC SLIDING HANGER



▶▶ TB5 STEEL SLIDING HANGER

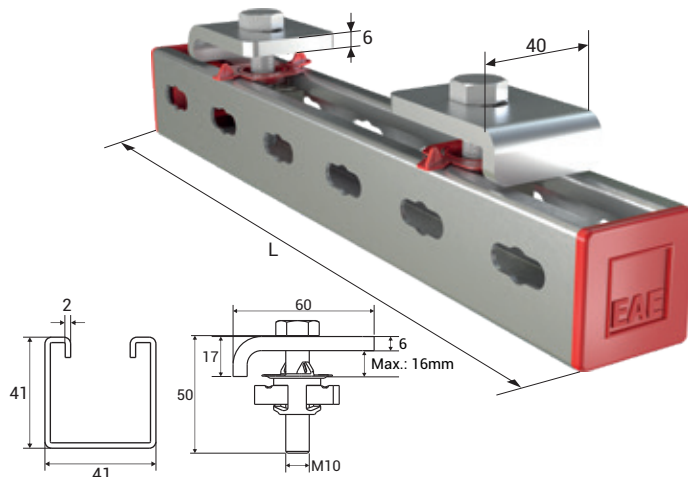
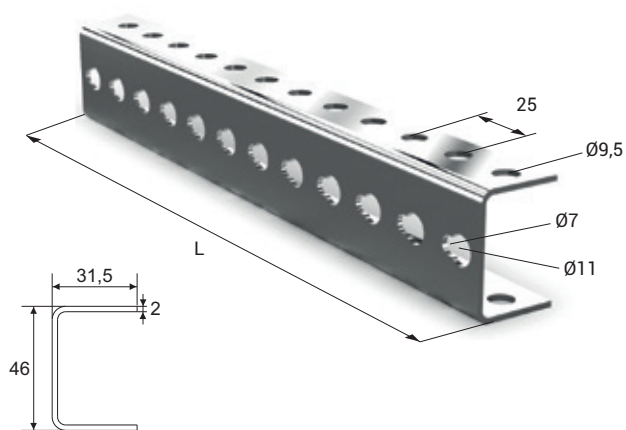


Trolley busbar should be mounted with sliding hangers and each hangers should be between 1,30m - 1,50m. Distance between sliding hanger and other units (joint unit, feeder etc.) should be minimum 300mm.

Description	Weight (gr)	Order Code
TB5 Plastic Sliding Hanger	85	1003664

Description	Weight (gr)	Order Code
TB5 Steel Sliding Hanger	100	1005954

▶▶ TB HANGER BRACKET



Description	L (mm)	Weight (gr)	Order Code
TB Hanger Bracket	250	350	3025153
URC-C/S Hanger Bracket	500	700	3034560
URC-A Hanger Bracket	750	1050	3025382

Description	L (mm)	Weight (gr)	Order Code
TB BR Hanger Bracket Set	300	800	3178916
URC-C/S BR Hanger Bracket Set	600	1250	3178917
URC-A BR Hanger Bracket Set	800	1550	3178918

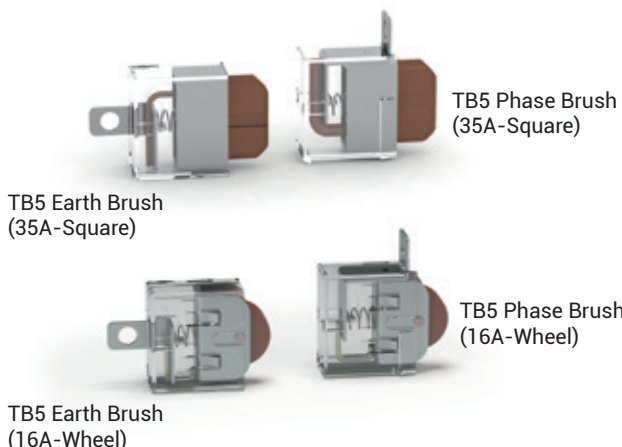
▶▶ TB5 EXTENSION ELEMENT



When the busbar line needs to be extended, you may remove the End Closure and install the joint unit to extend.

Description	Weight (gr)	Order Code
TB5 Extension Element	250	3141724

▶▶ TB5 CURRENT COLLECTOR BRUSHES



Description	Weight (gr)	Order Code
TB5 Phase Brush (35A-Square)	40	3024371
TB5 Earth Brush (35A-Square)	40	3024372
TB5 Phase Brush (16A-Wheel)	40	3165078
TB5 Earth Brush (16A-Wheel)	40	3165080

▶▶ TB CONDUCTOR CASSETTE



Conductor cassette shall be used to prevent damage to the conductors while the copper conductors are installed on the busbar.

Description	Weight (gr)	Order Code
TB Conductor Caset	6800	3025151

▶▶ TBS GASKET



■ Continuous length is maximum 300 meters. ■ Gasket should be ordered twice the line length.

Description	Weight (gr/m)	Order Code
TBS Gasket Roll (m)	30	1037761

▶▶ TB5 COPPER CONDUCTORS

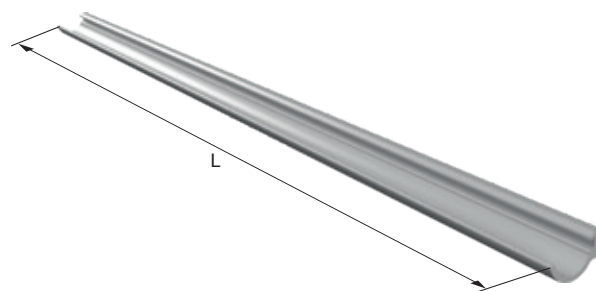


Description (mm x mm)	Order Code
TB5 0.80x16,00 (TB5 Copper)	1003097
TB5 1.00x16,00 (TB5 Copper - 75A)	1002254
TB5 1.50x16,00 (TB5 Copper - 105A)	1002275
TB5 2.00x16,00 (TB5 Copper - 130A)	1003094

▶▶ TB5 CONDUCTOR MOUNTING TOOL



Description	Weight (gr)	Order Code
TB5 Conductor Mounting Tool	215	3024456



Description	L (mm)	Weight (gr)	Order Code
TBS Gasket Straight Length (Pcs.)	4000	120	1037762

►► **VOLTAGE DROP**

The voltage drop in the busbar lines shall be inspected as per the busbar type selected according to the total current calculated based on the ambient temperature and operating period of the system. Maximum acceptable value for voltage drop is 3%.

For Direct Current

$$\Delta U = 2 \cdot L_t \cdot I_G \cdot R$$

ΔU = Voltage Drop [V]

For Mono-Phase Alternative Current

$$\Delta U = 2 \cdot L_t \cdot I_G \cdot Z$$

I_G = Total current [A]

R = Resistance of the busbar [Ω/m]

For Three-Phase Alternative Current

$$\Delta U = \sqrt{3} \cdot L_t \cdot I_G \cdot Z$$

Z = Impedance of the busbar [Ω/m]

L_t = Calculated Hole Length [m]

Note : Calculation of the current drawn during first start in various motor types;

I_A = Total current drawn in the first start of the motors [A]

For the starting current; Three-phase asynchronous drive in direct start

Slip ring rotor motor

Frequency converter

I_A = I_G x calculated as 5 to 6

I_A = I_G x calculated as 2 to 3

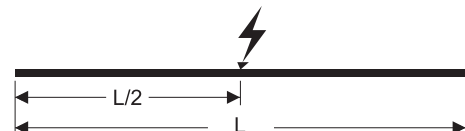
I_A = I_G x 1,20 to 1,50 calculated between.

►► **CALCULATION OF FEEDING POINTS**

When we take L_t as the length of the line, feeding points may be selected as shown in the diagrams below to keep the L voltage drop at minimum and it may be used as the hole length for the calculation of L_t voltage drop.



1 feeding point from the start, $L_t=L$



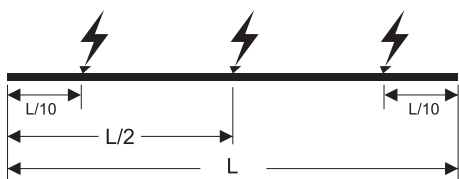
1 feeding point from the center, $L_t=L/2$



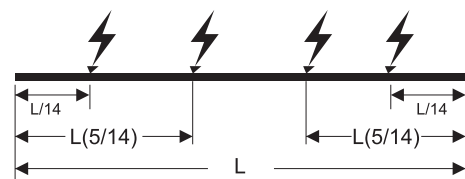
2 feeding points from the start points, $L_t=L/4$



2 feeding points, $L_t=L/6$



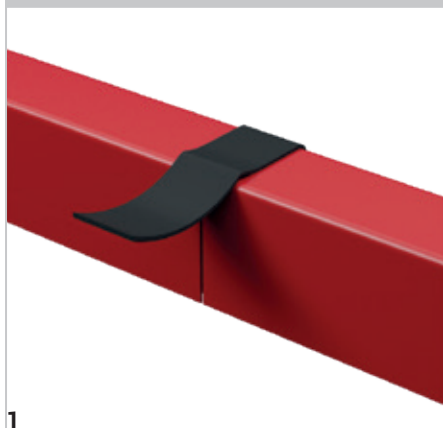
3 feeding points, $L_t=L/10$



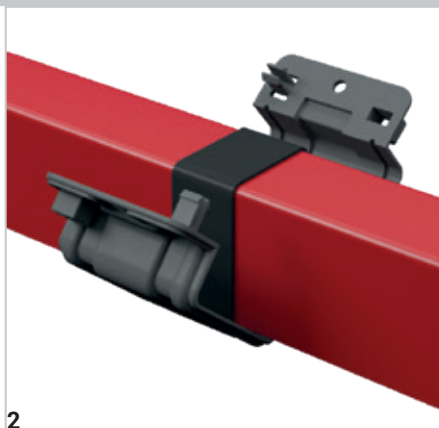
4 feeding points, $L_t=L/14$

►► INSTALLATION MANUAL

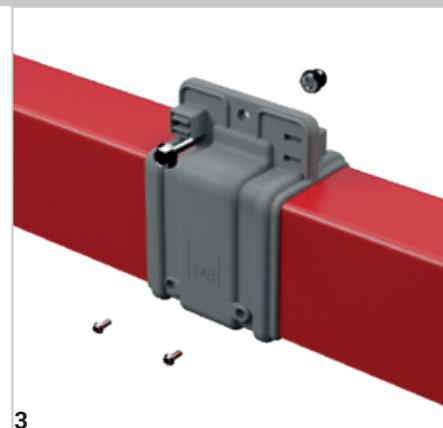
TBS - INSTALLATION OF JOINT UNIT



1
The joint point is covered using a self-adhesive EPDM gasket.

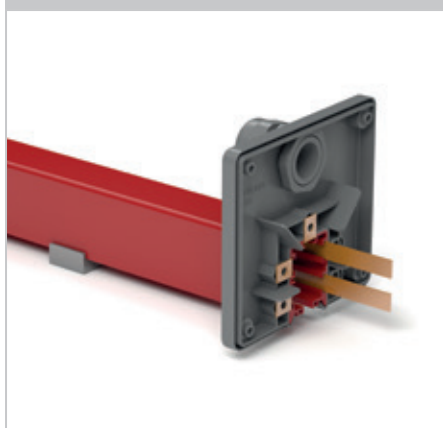


2
Engage the joint unit to the bottom of the busbar and close it.

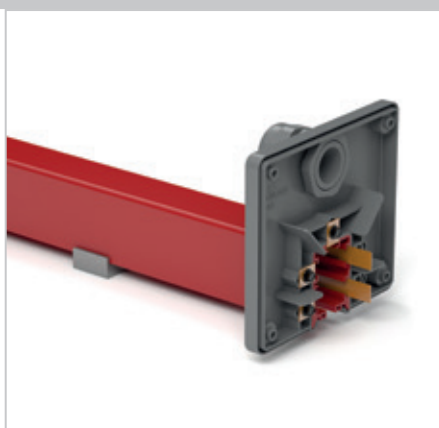


3
Close the joint cover and screw it.

TBS - FEEDER UNIT



Conductors are bend 90° and pushed into the housing.

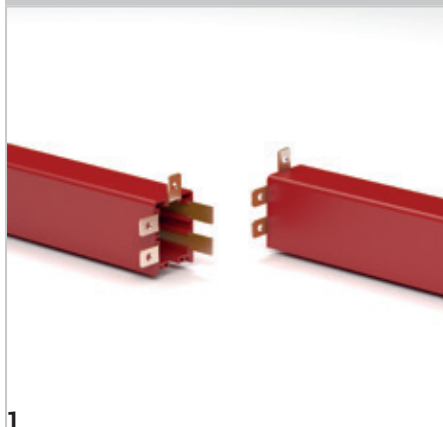


Housing and screw them to the feeding module.

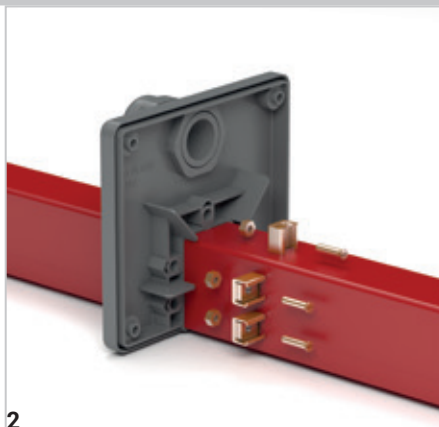


Close the module cover and screw it.

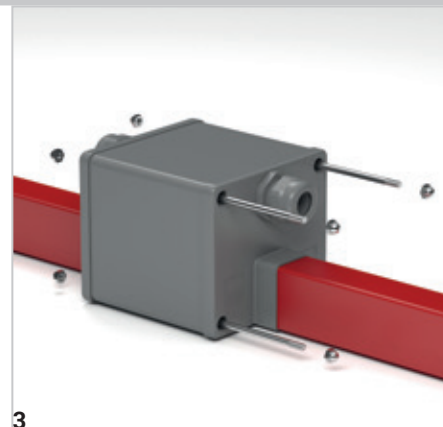
TBS - LINE FEED UNIT - 2 (JOINTED TYPE)



1
Bend conductors for 90°, and push them inside the housing.



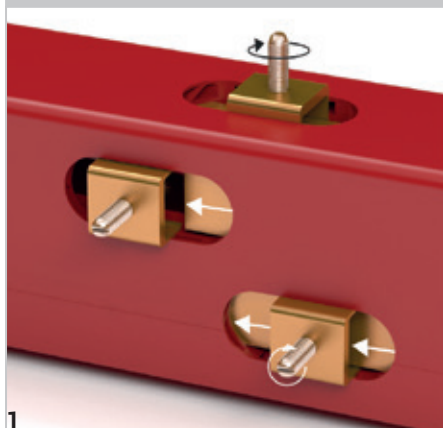
2
Put conductors back-to-back and join them with clips. Connect the feeding cables to the clips.



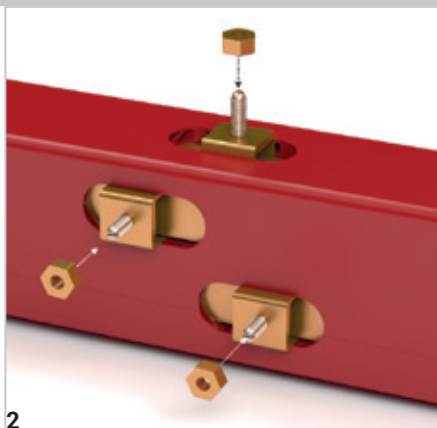
3
Close the module cover and screw it.

►► INSTALLATION MANUAL

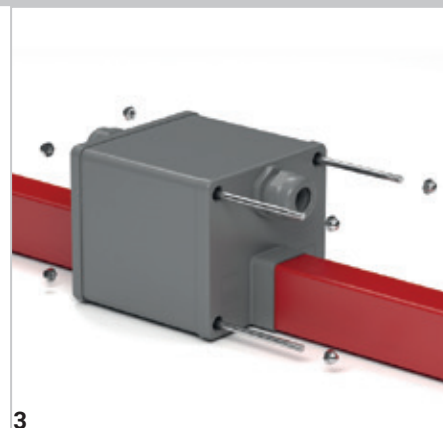
TBS - LINE FEED UNIT - 1 (CONTINUOUS TYPE)



1
Put the conductors through the clips and screw them.

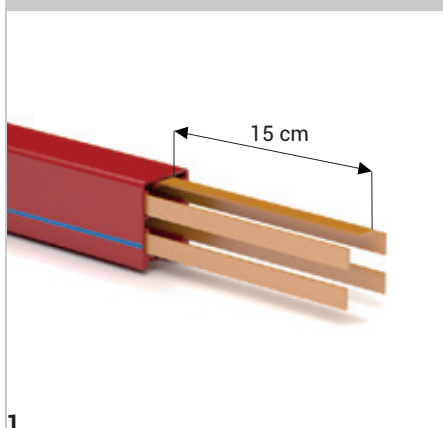


2
Connect the feeding cables to the clips with nuts.

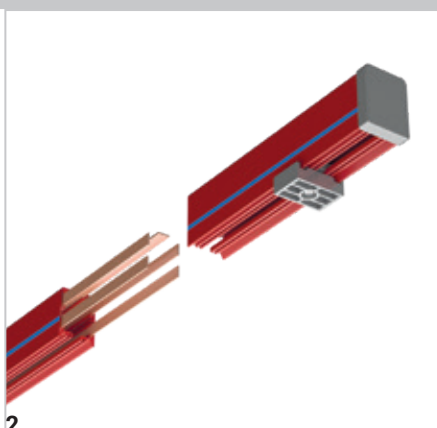


3
Close the module cover and screw it.

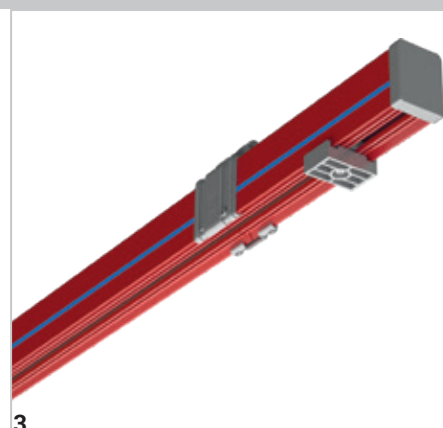
TBS - END CLOSURE



1
Cut the coppers at the end of the line by leaving a extra length of 15 cm.

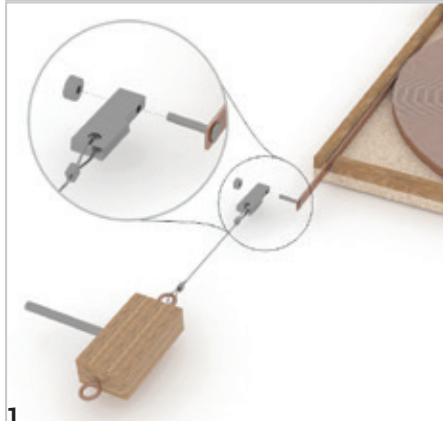


2
After placing the current collector to the system, place the End Closure so that it shall house the coppers.

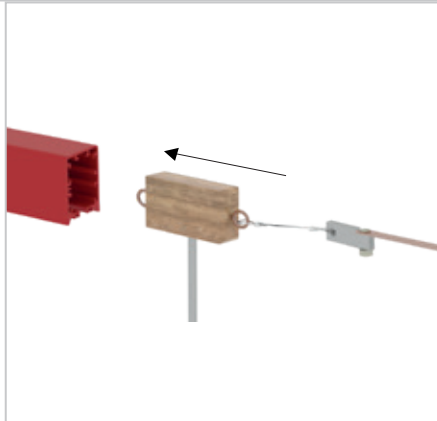


3
Install it on the system as you do while installing the extension.

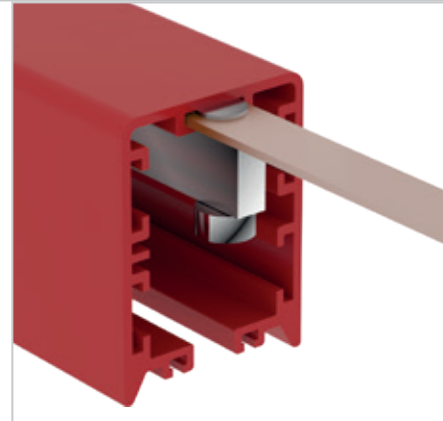
TBS - CONDUCTOR MOUNTING TOOL



1
Screw the conductor to the conductor mounting tool.



Drive the conductor mounting tool along the line.



Ensure that the conductor is seated.

►► OFFER REQUEST FORM

Date :

Project Name	:	<input type="text"/>
Company	:	<input type="text"/>
Name Surname	:	<input type="text"/>
Tel	:	<input type="text"/>
E-Mail	:	<input type="text"/>
Address	:	<input type="text"/>

General Data

Track Length	:	<input type="text"/>
Number of Cranes on Track	:	<input type="text"/>
Crane Travel Speed	:	<input type="text"/>

Environmental Data

Operating Environment	:	<input type="checkbox"/> Indoor	<input type="checkbox"/> Outdoor
Ambient Temperature	:	<input type="text"/> °C min.	<input type="text"/> °C max.
Other Operating Conditions (Humidity, Dust, Chemical Influence, etc.)	:	<input type="text"/>	

Electrical Data

Operating Voltage	:	<input type="text"/> Volts	<input type="checkbox"/> AC	<input type="checkbox"/> DC			
		<input type="text"/> Phases	<input type="checkbox"/> N	<input type="checkbox"/> PE			
Position and Number of Feeder	:	<input type="text"/> from End	<input type="text"/> from Middle				
Duty Cycle (%)	:	<input type="checkbox"/> 50%	<input type="checkbox"/> 60%	<input type="checkbox"/> 70%	<input type="checkbox"/> 80%	<input type="checkbox"/> 90%	<input type="checkbox"/> 100%

Motor Specifications	Crane - 1		Crane - 2		Crane - 3	
	Power (kW)	Current (A)	Power (kW)	Current (A)	Power (kW)	Current (A)
Hoist motors	<input type="text"/>	<input type="text"/>	<input type="text"/>	<input type="text"/>	<input type="text"/>	<input type="text"/>
Auxiliary motor	<input type="text"/>	<input type="text"/>	<input type="text"/>	<input type="text"/>	<input type="text"/>	<input type="text"/>
Long travel	<input type="text"/>	<input type="text"/>	<input type="text"/>	<input type="text"/>	<input type="text"/>	<input type="text"/>
Cross travel	<input type="text"/>	<input type="text"/>	<input type="text"/>	<input type="text"/>	<input type="text"/>	<input type="text"/>

Options

Brackets Required	:	<input type="checkbox"/> Yes	<input type="checkbox"/> No
Repair Zone Required	:	<input type="checkbox"/> Yes	<input type="checkbox"/> No
		<input type="text"/> Qty	
Collector Replacement Required:		<input type="checkbox"/> Yes	<input type="checkbox"/> No
		<input type="text"/> Qty	

Descriptions	:	<input type="text"/>
--------------	---	----------------------

►► Declaration

CE DECLARATION OF CONFORMITY

Product Group E-Line TB Trolley Busbar Systems
Manufacturer Akcaburgaz Mahallesi, 3114. Sokak,
No:10 34522 Esenyurt-Istanbul

The objects of the declaration described below is in conformity with the relevant Cable gland harmonisation legislation. This declaration of conformity is issued under the sole responsibility of the manufacturer.

Standard:**TS EN 61439-6**

Low-voltage switchgear and controlgear assemblies - Part 6: Busbar trunking systems

CE - Directive:

2014/35/EU "The Low Voltage Directive"

2014/30/EU "(EMC) Electromagnetic Compatibility Directive"

2011/65/EU "RoHS Directive"

Technical Document Preparation Official:

EAE Elektrik Asansor End. Insaat San. Tic. A.S.
Akcaburgaz Mahallesi, 3114. Sokak, No:10 34522 Esenyurt-Istanbul

Emre GÜRLEYEN

Date

20.04.2016

Document Authorized Signatory

Elif Gamze KAYA OK
Deputy General Manager



EAE Elektrik A.S.
Head Office
Akcaburgaz Mahallesi,
3114. Sokak, No:10 34522
Esenyurt - Istanbul - TURKEY
Tel: +90 (212) 866 20 00
Fax: +90 (212) 886 24 20

EAE DL 3 Factory
Busbar
Gebze IV Istanbul Makine ve
Sanayicileri
Organize Bolgesi, 6. Cadde,
No: 6 41455 Demirciler Koyu,
Dilovası - Kocaeli - TURKEY
Tel: +90 (262) 999 05 55
Fax: +90 (262) 502 05 69

Please visit our website for the updated version of our catalogues.
www.eaeelectric.com



IEC 61439-6



Catalogue 08-Eng. / Rev 09 / 500 pcs. 02/09/2022
S.S.

EAE has full right to make any revisions or changes on this catalogue without any prior notice.